



US00D834133S

(12) **United States Design Patent**
Wright

(10) **Patent No.:** **US D834,133 S**

(45) **Date of Patent:** **** Nov. 20, 2018**

(54) **DUAL BEAM AIMING LASER**

(71) Applicant: **STEINER eOPTICS, INC.**, Waitsfield, VT (US)

(72) Inventor: **Nathaniel G. Wright**, Burlington, VT (US)

(73) Assignee: **Steiner eOptics, Inc.**, Waitsfield, VT (US)

(**) Term: **15 Years**

(21) Appl. No.: **29/606,803**

(22) Filed: **Jun. 7, 2017**

(51) **LOC (11) Cl.** **22-01**

(52) **U.S. Cl.**
USPC **D22/109**

(58) **Field of Classification Search**
USPC D10/70; D16/130, 132, 133; D22/108, D22/109; D26/38, 39, 60

CPC F41G 3/2616; F41G 3/2644; F41G 3/2655; F41G 1/00; F41G 3/165; F41G 1/35; F41G 11/001; F41G 11/003; F41C 27/00; G02B 23/18; G02B 27/0149; G02B 2027/0156; A42B 3/042

See application file for complete search history.

(56) **References Cited**

U.S. PATENT DOCUMENTS

D179,088 S	10/1956	Klein
4,809,942 A	3/1989	Kastendieck et al.
D349,509 S	8/1994	Williams, Jr. et al.
5,374,986 A	12/1994	Solinsky
5,400,540 A	3/1995	Solinsky
D412,515 S	8/1999	Oka
5,933,224 A	8/1999	Hines et al.
D424,081 S	5/2000	Gordon
D433,430 S	11/2000	Meinzer
D448,315 S	9/2001	Ito

D472,569 S	4/2003	Schick
D476,348 S	6/2003	Fujii
D476,349 S	6/2003	Fujii
D484,900 S	1/2004	Lee et al.
D488,178 S	4/2004	Huang
6,819,495 B2	11/2004	Shani et al.
D502,481 S	3/2005	Hines et al.

(Continued)

OTHER PUBLICATIONS

Burris AR-DBAL Dual Beam Aiming Laser—Red Laser Desert Sand, <https://www.natcherss.com>, Jan. 5, 2017, 2 pages.

(Continued)

Primary Examiner — Antoine D Davis

(74) *Attorney, Agent, or Firm* — Innovation Counsel LLP

(57) **CLAIM**

I claim the ornamental design for a dual beam aiming laser, substantially as shown and described.

DESCRIPTION

FIG. 1 is a top front right perspective view of a dual beam aiming laser;

FIG. 2 is a bottom rear left perspective view of a dual beam aiming laser;

FIG. 3 is a front elevational view of a dual beam aiming laser;

FIG. 4 is a top plan view of a dual beam aiming laser;

FIG. 5 is a rear elevational view of a dual beam aiming laser;

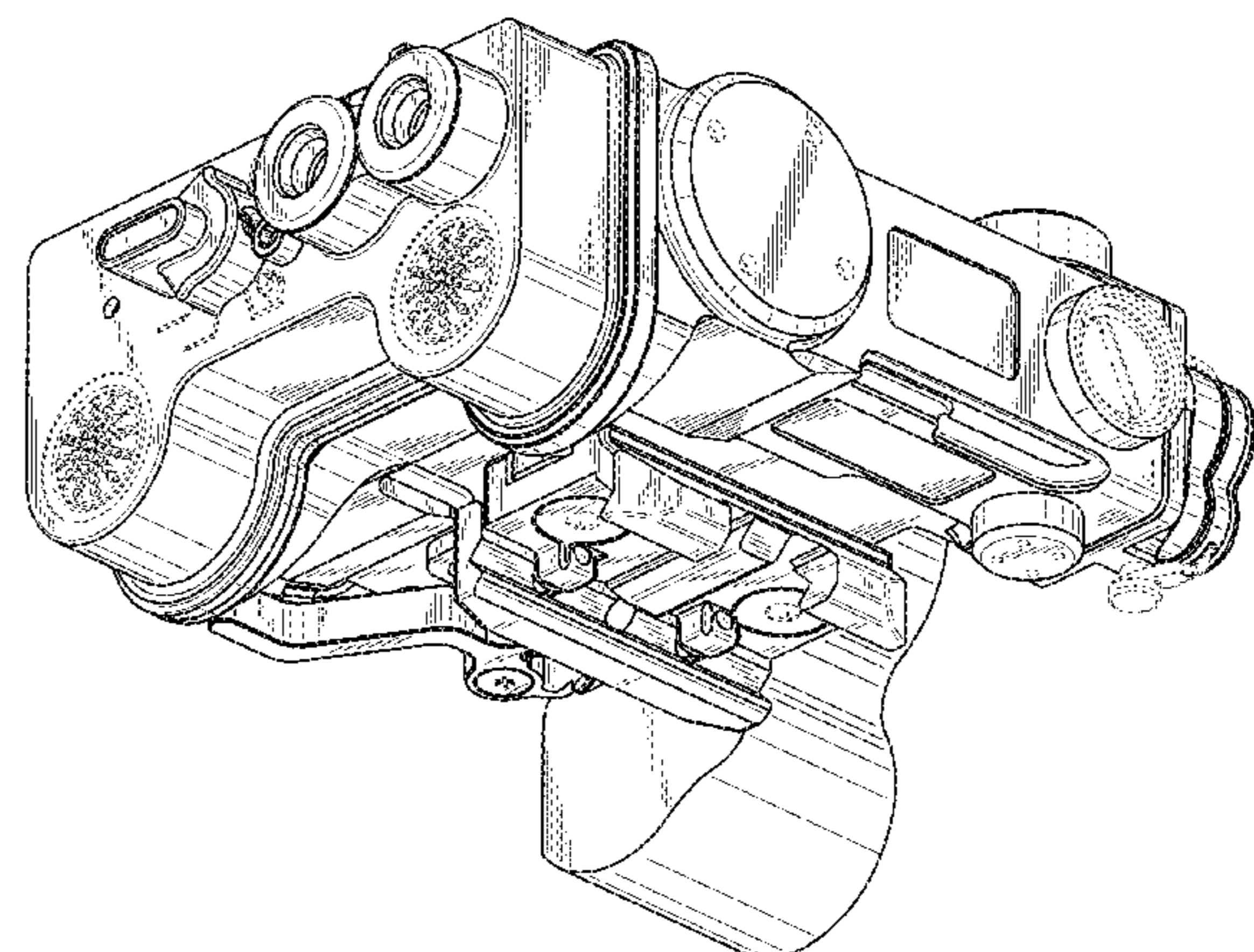
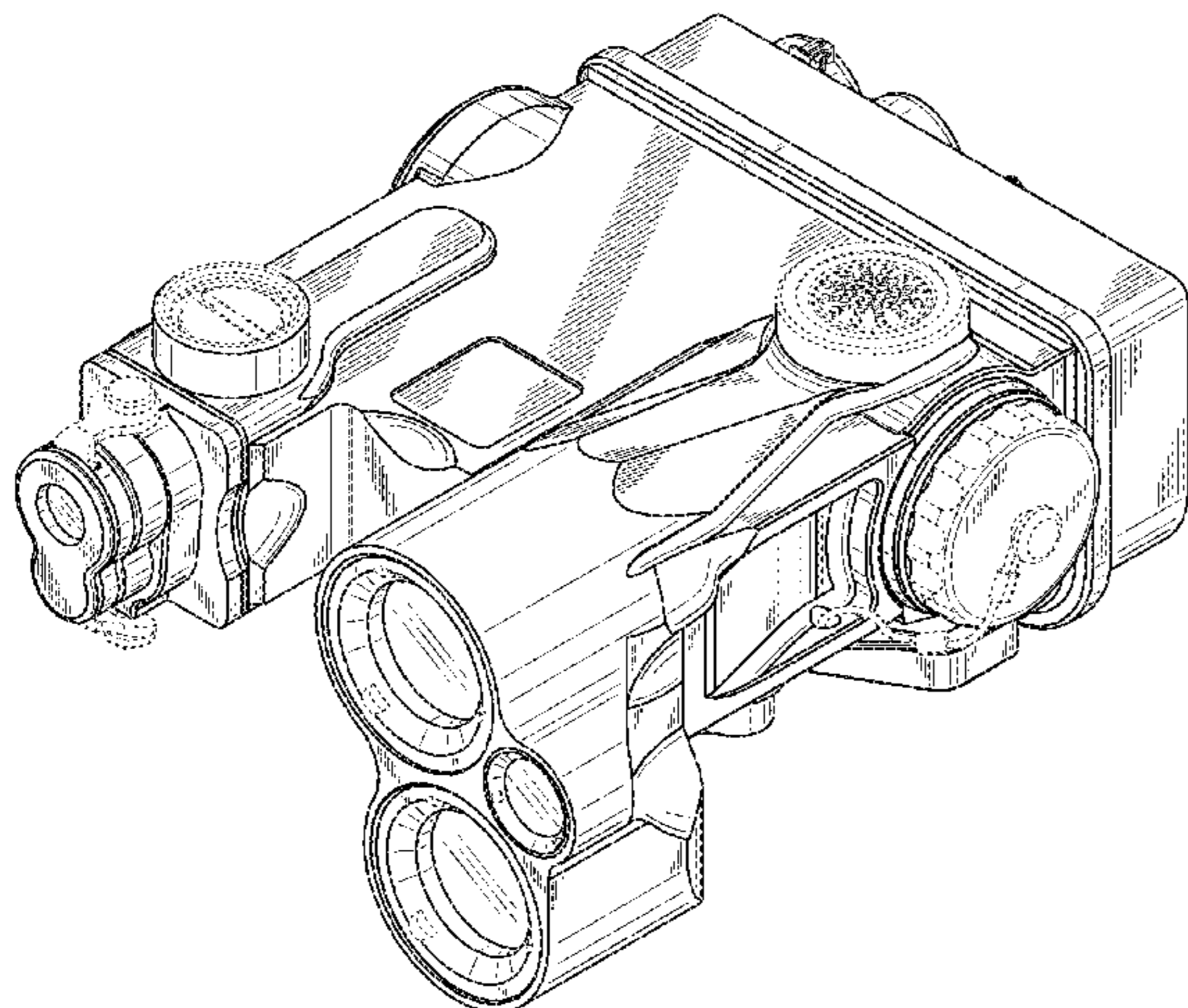
FIG. 6 is a bottom plan view of a dual beam aiming laser;

FIG. 7 is a left side elevational view of a dual beam aiming laser; and,

FIG. 8 is a right side elevational view of a dual beam aiming laser.

Dashed lines represent unclaimed subject matter and form no part of the claimed design.

1 Claim, 7 Drawing Sheets



(56)

References Cited

U.S. PATENT DOCUMENTS

D506,486 S 6/2005 Kuo
 D508,707 S 8/2005 Hayashi
 6,924,931 B1 8/2005 Lam et al.
 D513,620 S 1/2006 Kuo
 D522,031 S 5/2006 Siu
 D522,033 S 5/2006 Kitera
 D522,551 S 6/2006 Hayashi
 D525,544 S 7/2006 Nojima
 D534,565 S 1/2007 Sadatsuki
 D534,936 S 1/2007 Sadatsuki
 7,158,926 B2 1/2007 Schwartz, II et al.
 7,365,905 B2 4/2008 Floyd et al.
 D568,508 S 5/2008 Howe et al.
 D570,018 S 5/2008 Ciccone, Jr. et al.
 D570,234 S 6/2008 Hui et al.
 D578,599 S 10/2008 Cheng
 D579,805 S 11/2008 Chen et al.
 D580,961 S 11/2008 Ciccone, Jr. et al.
 D586,874 S 2/2009 Moody et al.
 D604,754 S 11/2009 Messner
 D604,794 S 11/2009 Bentley
 D611,848 S 3/2010 Liu et al.
 D612,756 S 3/2010 D'Amelio et al.
 D612,970 S 3/2010 Sharrah et al.
 D616,956 S 6/2010 Hamilton
 7,726,061 B1 6/2010 Thummel
 D628,323 S 11/2010 Mattews et al.
 D641,826 S 7/2011 Larsson et al.
 D647,159 S 10/2011 Kobayashi et al.
 D648,413 S 11/2011 Mayberry et al.
 D669,107 S 10/2012 Yoneda
 8,297,173 B1 10/2012 Teetzel et al.
 8,312,666 B2 11/2012 Moore et al.
 D672,005 S 12/2012 Hedeem et al.
 D674,858 S 1/2013 Galli
 D679,304 S 4/2013 Delaney et al.
 D682,977 S 5/2013 Thummel et al.
 D696,377 S 12/2013 Thummel
 8,609,495 B2 12/2013 Moore et al.
 D709,158 S 7/2014 Wells
 D712,001 S 8/2014 Wells
 8,931,161 B2 1/2015 Couture et al.
 D729,339 S 5/2015 Chavez et al.
 D732,134 S 6/2015 Wells
 D733,832 S 7/2015 Crispin et al.

D741,446 S 10/2015 Cheng et al.
 D746,405 S 12/2015 Nemeyer et al.
 D749,689 S 2/2016 Cheng et al.
 D752,670 S 3/2016 Chen
 D757,886 S 5/2016 Cheng et al.
 D762,806 S 8/2016 Chavez et al.
 D815,239 S * 4/2018 Cheng D22/109
 2012/0198745 A1 8/2012 Riley et al.

OTHER PUBLICATIONS

DBAL-A3 Civilian Dual Beam Aiming Laser—Advanced 3, <http://www.steiner-optics.com>, Jan. 5, 2017, 10 pages.
 EOTech Commercial ATPIAL Advanced Target Pointer/Illuminator/Aiming Laser, <http://ww.midwayusa.com>, Jan. 5, 2017, 3 pages.
 DBAL-i2 Dual Beam Aiming Laser Intelligent, <http://www.steiner-optics.com>, Jan. 5, 2017, 15 pages.
 Burris AR-Dual Beam Aiming Green Laser w/ .7mW IR Pointer, <http://www.opticsplanet.com>, Jan. 5, 2017, 3 pages.
 DBAL-A2 (AN/PEQ-15A) U.S. DOD Model, <http://www.auroratactical.com>, Jan. 5, 2017, 6 pages.
 LaserDevices, Inc. 2008 Catalog, available prior to 2009, 20 pages. [Archived Thread] —Steiner's New DBAL-A4 In-Depth Look and Reviews, AR15.com, TNVC, Posted: Mar. 1, 2016 11:33:18 AM EST, [online], [site visited Jan. 5, 2017]. <URL: http://www.ar15.com/forums/t_6_18/459491_Steinerandapos_s_New_DBAL_A4_In_Depth_Look_and_Reviews.html>.
 Texas NFA Gun Trust Steiner Optics DBAL A4 IR, YouTube.com, Sean Cody, Published on Jan. 23, 2016, [online], [site visited Jan. 5, 2017]. <URL: <https://www.youtube.com/watch?v=BbUuoBNLR2c>>.
 Steiner Introduces New DBAL-A4, TheOutdoorWire.com, Friday, Jan. 15, 2016, [online], [site visited Jan. 5, 2017]. <URL: <http://www.theoutdoorwire.com/story/14527980046fg42hh7x7a>>.
 Steiner DBAL-A4 Dual Beam Aiming Laser, Botach.com, [online], [site visited Jan. 5, 2017]. <URL: <https://www.botach.com/steiner-dbal-a4-dual-beam-aiming-lased>>.
 Steiner eOptics Laser Devices Dual Beam Aiming Laser w/Green & IR Laser Sights IR Illuminator w/Free Shipping and Handling, OpticsPlanet.com, [online], [site visited 01/05/2017]. <URL: <http://www.opticsplanet.com/laser-devices-dual-beam-aiming-laser-w-green-ir-laser-sights-ir-illuminator.html>>.
 DBAL-D2, Steiner-Optics.com, [online], [site visited Jan. 5, 2017]. <URL: <http://www.steiner-optics.com/laser-devices/dbal-d2>>.

* cited by examiner

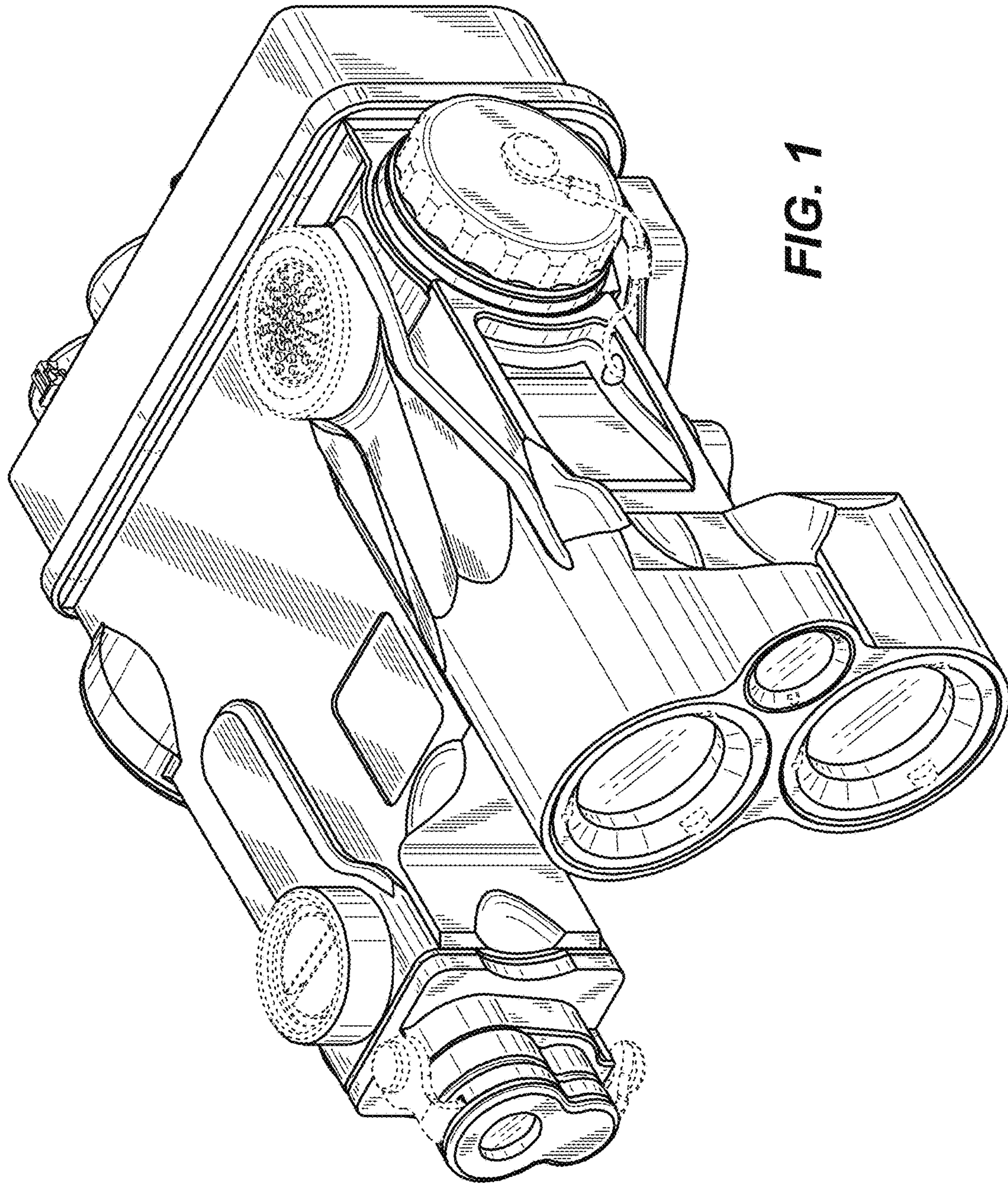


FIG. 1

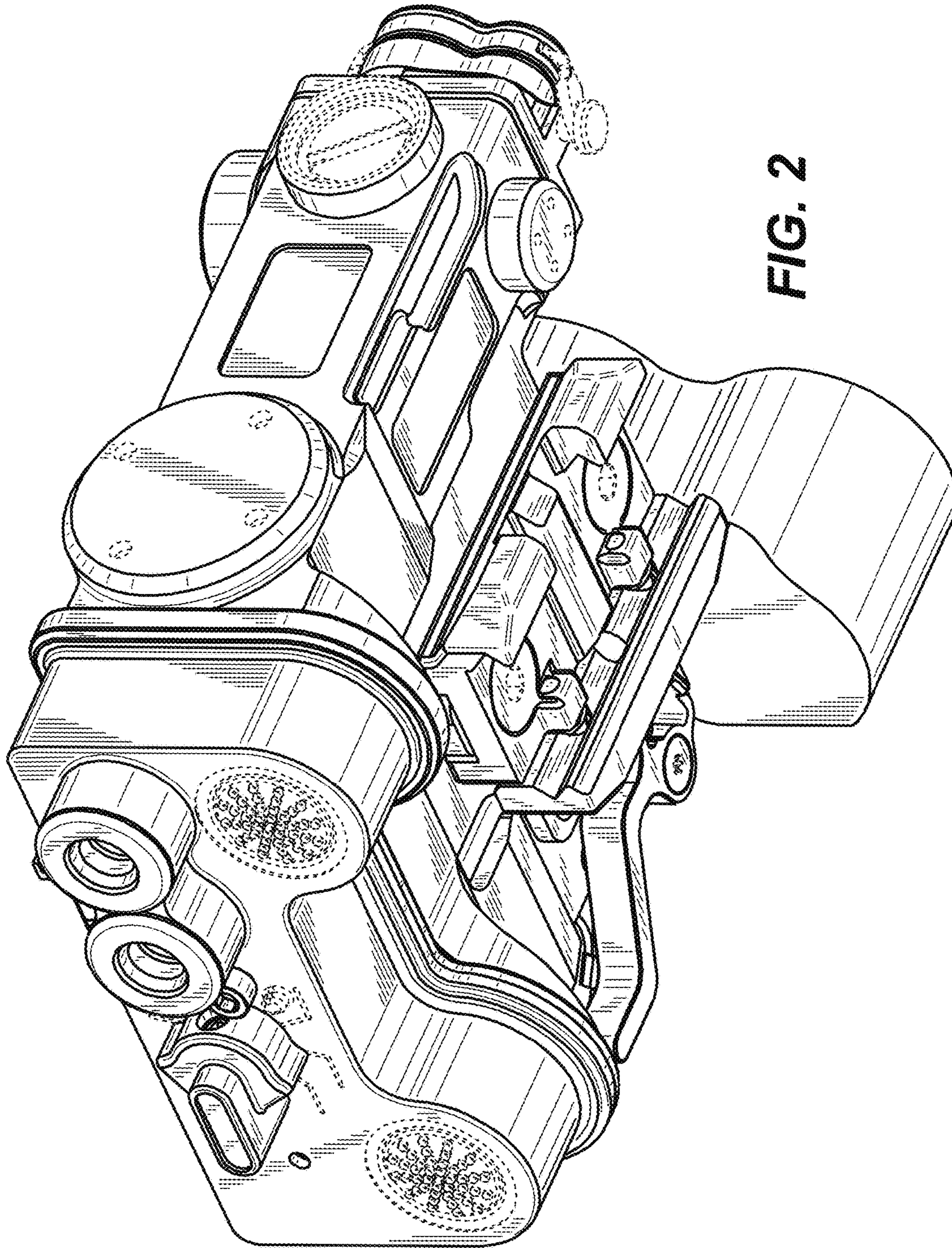


FIG. 2

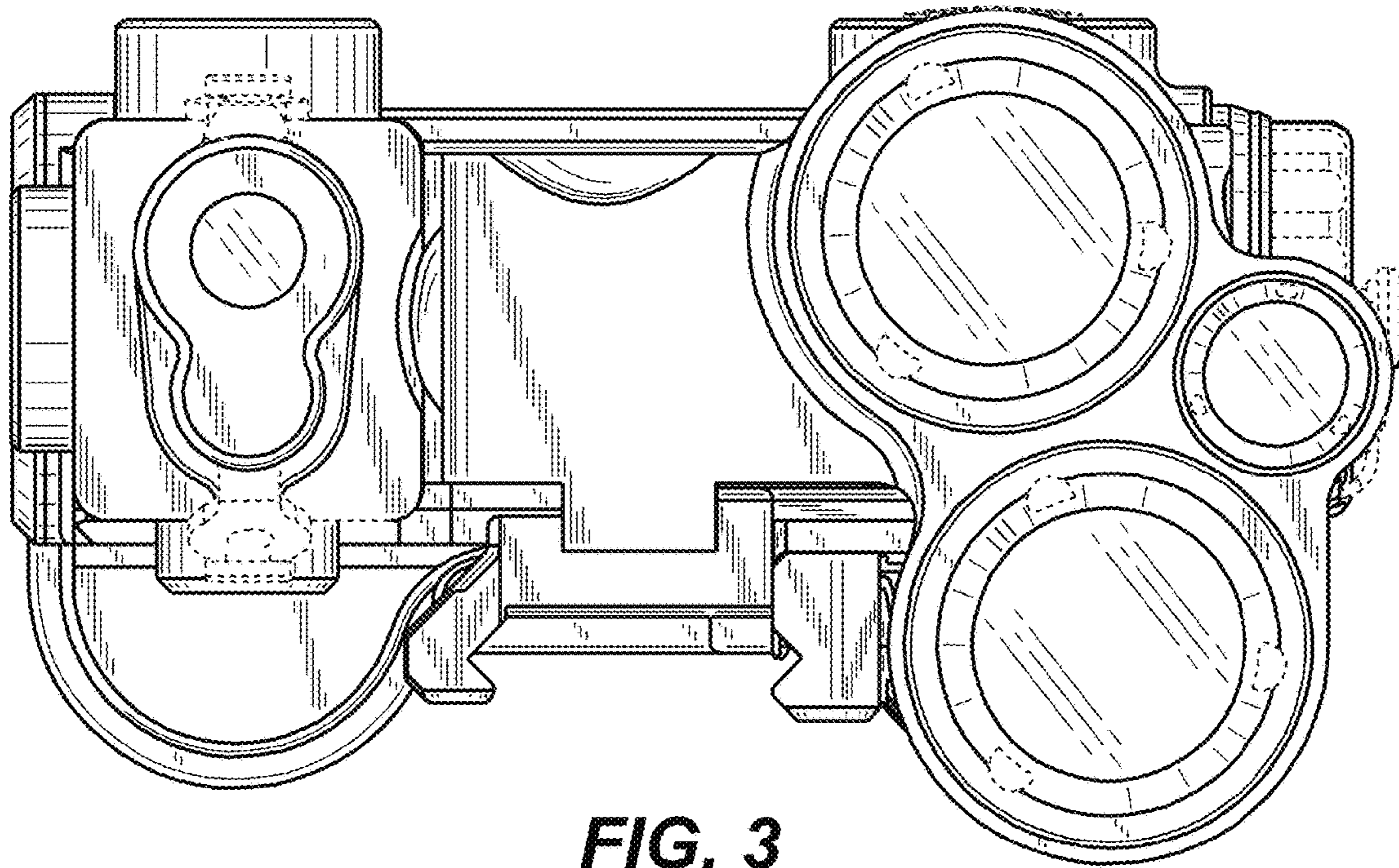


FIG. 3

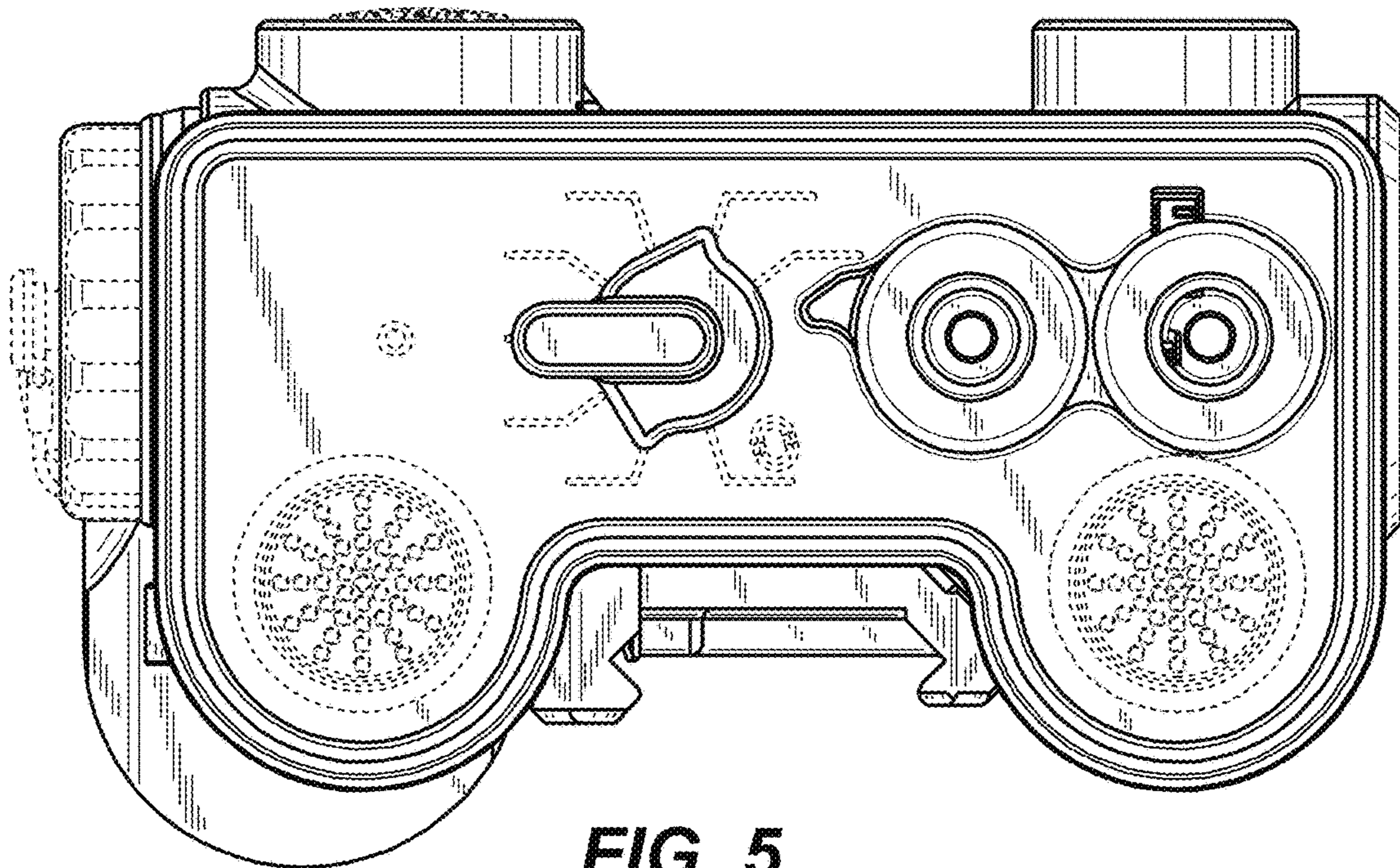


FIG. 5

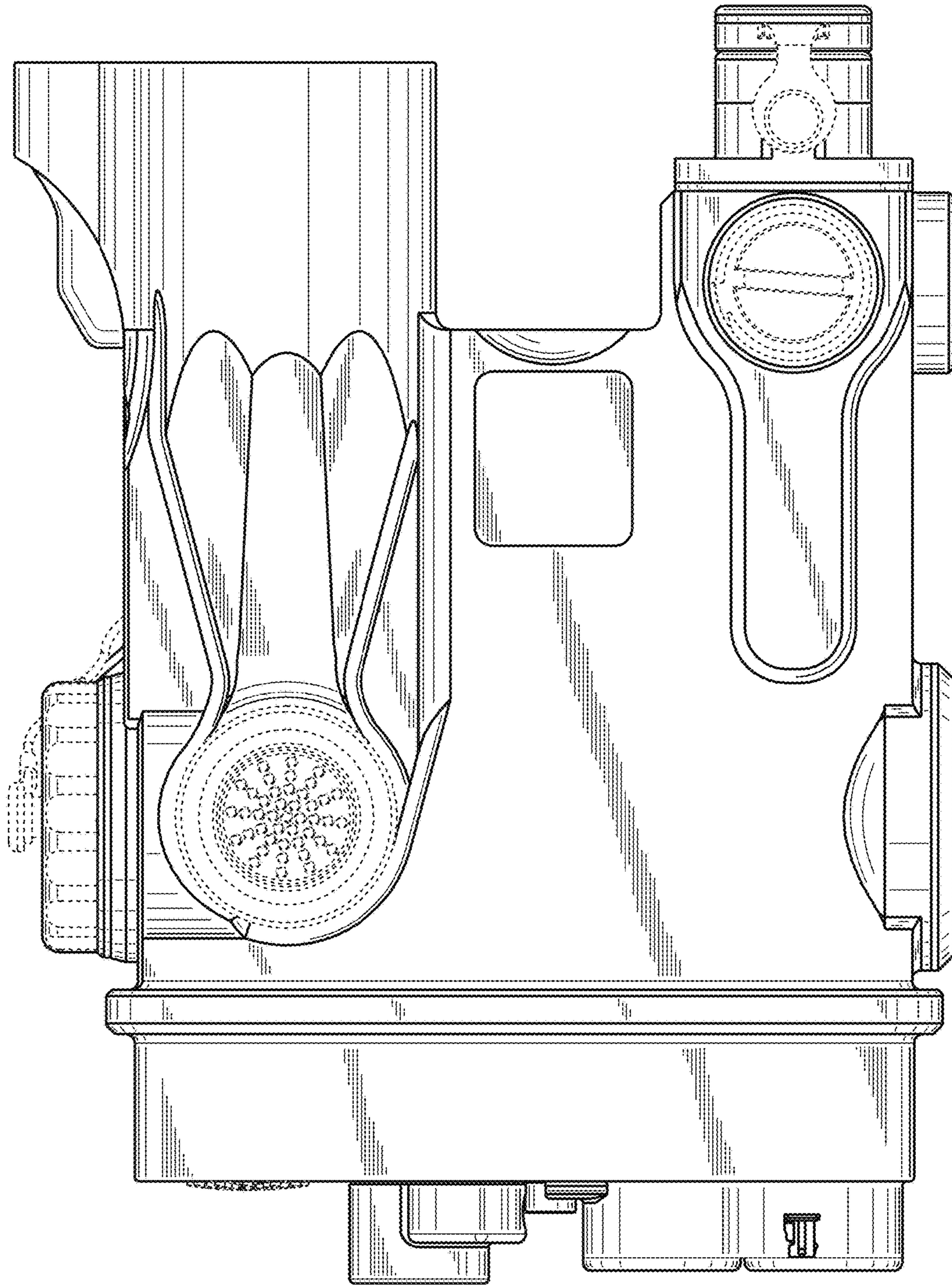


FIG. 4

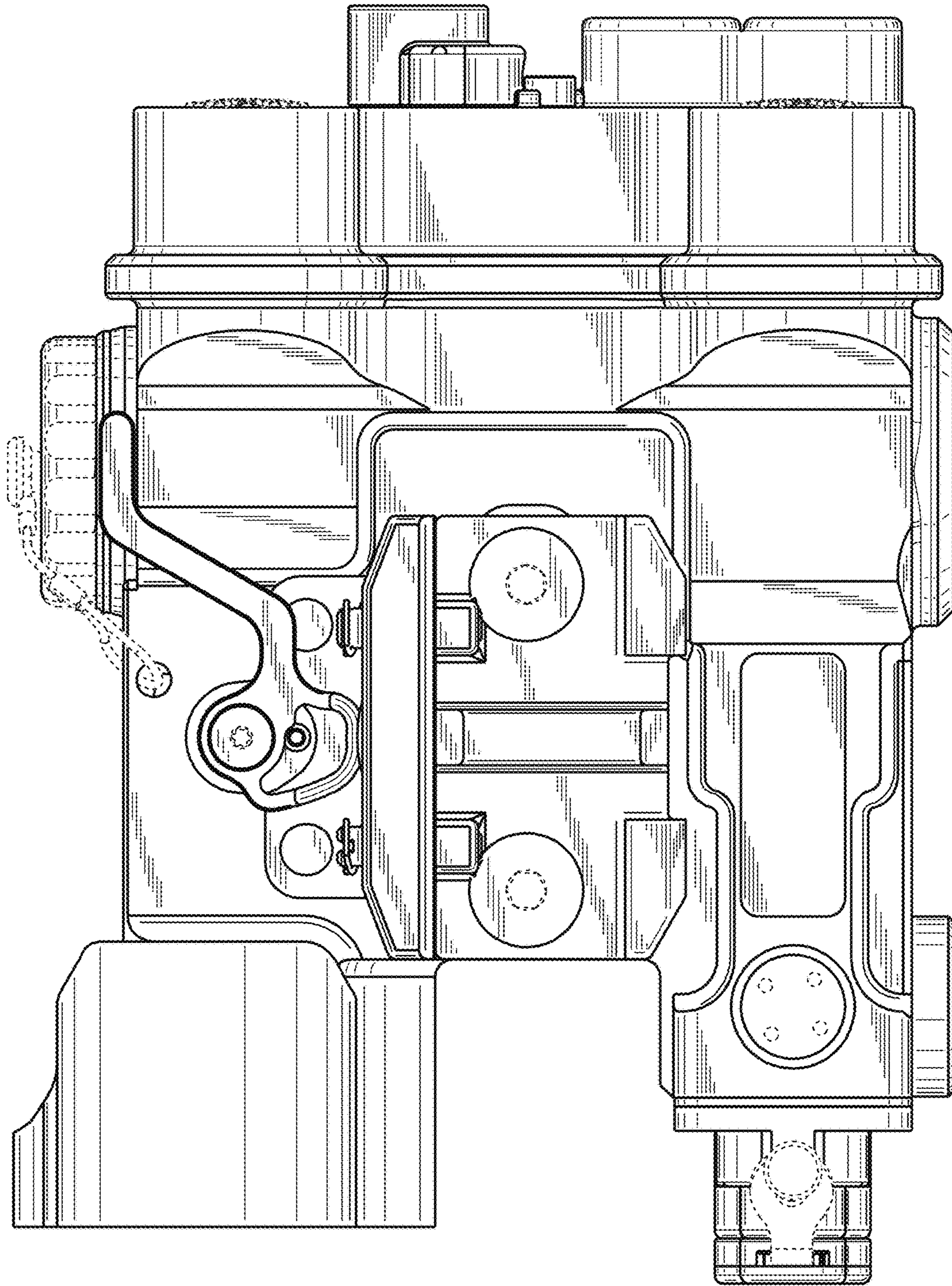


FIG. 6

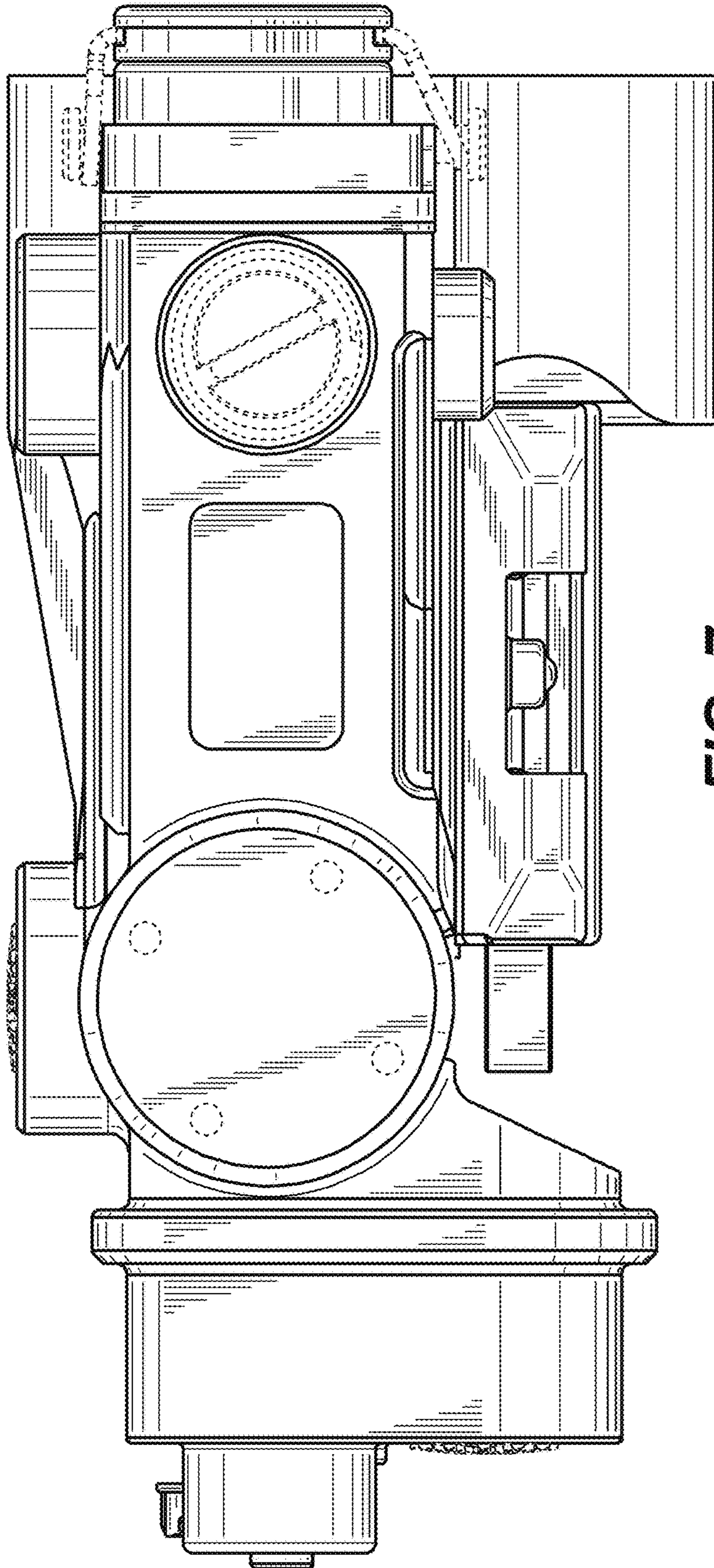


FIG. 7

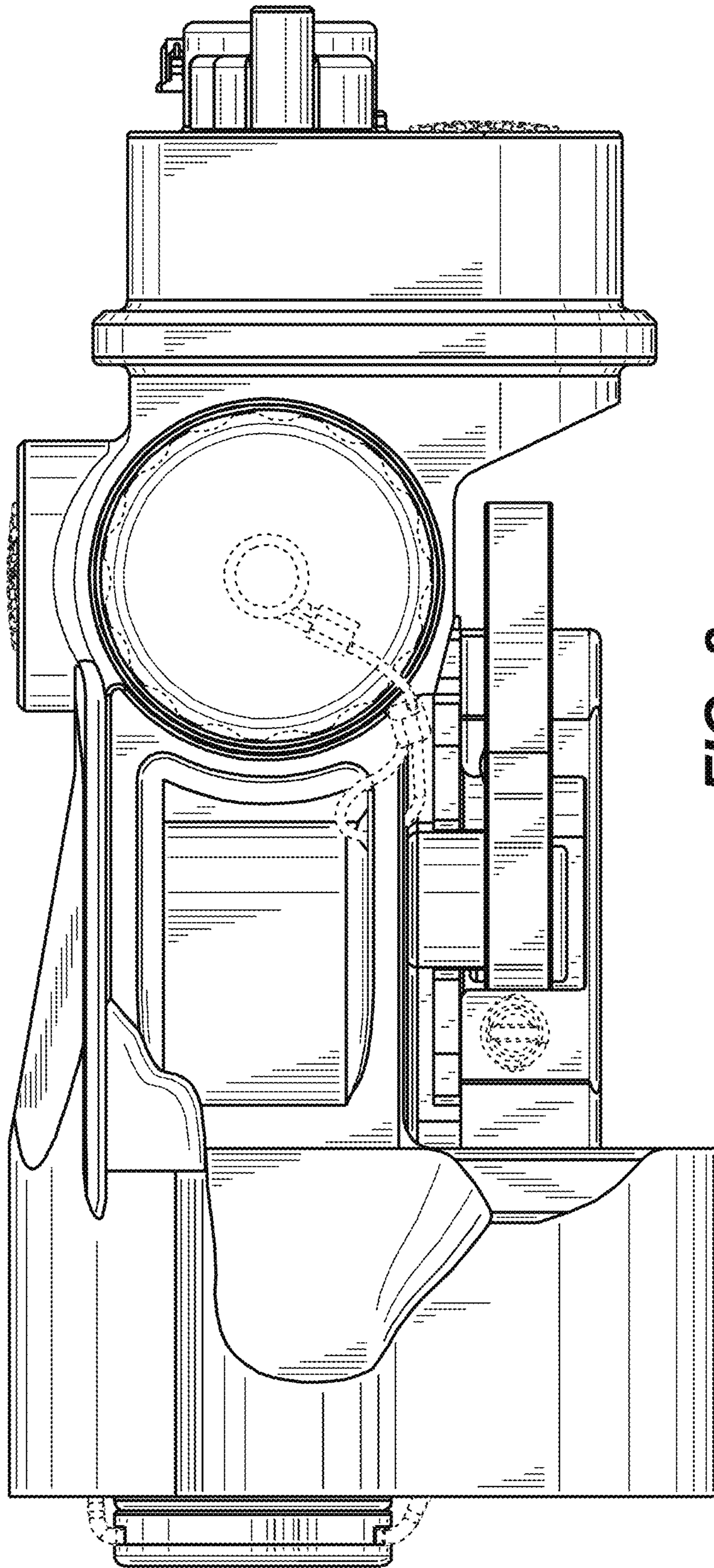


FIG. 8