



US00D834132S

(12) **United States Design Patent** (10) **Patent No.:** **US D834,132 S**  
**DeMonico** (45) **Date of Patent:** **\*\* Nov. 20, 2018**

- (54) **FIREARM RECEIVER**
- (71) Applicant: **Rare Breed Firearms LLC**, Austin, TX (US)
- (72) Inventor: **Lawrence DeMonico**, Austin, TX (US)
- (73) Assignee: **Rare Breed Firearms LLC**, Austin, TX (US)
- (\*\*) Term: **15 Years**
- (21) Appl. No.: **29/611,282**
- (22) Filed: **Jul. 20, 2017**
- (51) **LOC (11) Cl.** ..... **22-01**
- (52) **U.S. Cl.**  
USPC ..... **D22/108**
- (58) **Field of Classification Search**  
USPC ..... D22/100–104, 105, 106, 107, 108, 109, D22/110; 42/111, 122, 130, 51, 71.01, 42/75.01; D21/567–575; 89/37.04, 89/191.01  
CPC ..... F41A 3/66; F41A 9/00; F41A 9/61; F41A 9/85; F41C 3/14  
See application file for complete search history.

(56) **References Cited**

**U.S. PATENT DOCUMENTS**

D616,056	S	*	5/2010	Bentley	.....	F41C 23/00
						D22/108
D669,957	S	*	10/2012	Hughes	.....	D22/108
D689,974	S	*	9/2013	Sharps	.....	D22/108
D726,862	S	*	4/2015	Crume, Sr.	.....	D22/108
D726,863	S	*	4/2015	Crume, Sr.	.....	D22/108
D769,394	S	*	10/2016	Young	.....	D22/103
9,482,478	B2	*	11/2016	Newman	.....	F41A 17/38
D773,586	S	*	12/2016	Sharps	.....	F41A 17/38
9,574,852	B1	*	2/2017	McKillips	.....	F41G 11/003
D782,596	S	*	3/2017	Angstadt	.....	D22/108
9,651,327	B2	*	5/2017	Hoon	.....	F41A 17/38

D792,936	S	*	7/2017	Eitan	.....	D22/108
9,696,112	B2	*	7/2017	Gottzmann	.....	F41C 23/16
D804,602	S	*	12/2017	Barfoot	.....	D22/108
D805,154	S	*	12/2017	Steele	.....	D22/108
D809,621	S	*	2/2018	Lam	.....	D22/108
D810,388	S	*	2/2018	Podgurny	.....	D99/27
9,897,402	B2	*	2/2018	Pettit	.....	F41A 3/66
D814,598	S	*	4/2018	Monti	.....	D22/108
2017/0160032	A1	*	6/2017	Overstreet	.....	F41A 17/36
2017/0219305	A1	*	8/2017	Roberts	.....	F41A 3/66

\* cited by examiner

*Primary Examiner* — Ian Simmons

*Assistant Examiner* — Yolanda Robinson

(74) *Attorney, Agent, or Firm* — Wood Herron & Evans LLP

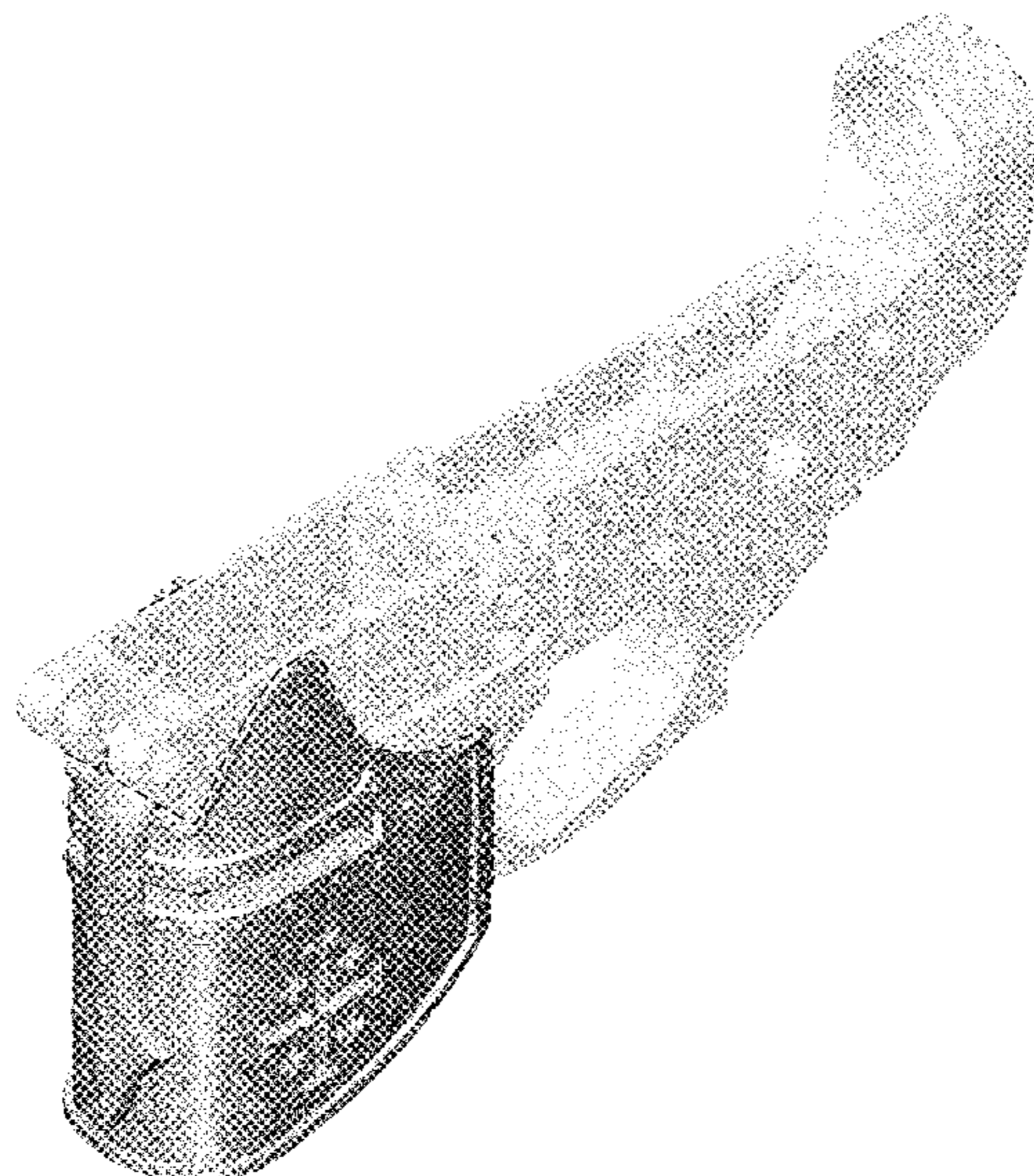
(57) **CLAIM**

The ornamental design for a firearm receiver, as shown and described.

**DESCRIPTION**

FIG. 1 is a front right isometric view of a firearm receiver according to the present invention.  
 FIG. 2 is another front right isometric view thereof.  
 FIG. 3 is a rear left isometric view thereof.  
 FIG. 4 is a front right bottom isometric view thereof.  
 FIG. 5 is a front view thereof.  
 FIG. 6 is a rear view thereof.  
 FIG. 7 is a left side view thereof.  
 FIG. 8 is a right side view thereof.  
 FIG. 9 is a top view thereof; and,  
 FIG. 10 is a bottom view thereof.  
 The broken lines show a boundary of the claimed invention. The portions of the firearm receiver depicted in de-emphasized half tone in each of the figures are to illustrate environmental structures and any elements shown outside the broken line form no part of the claimed invention.

**1 Claim, 8 Drawing Sheets**



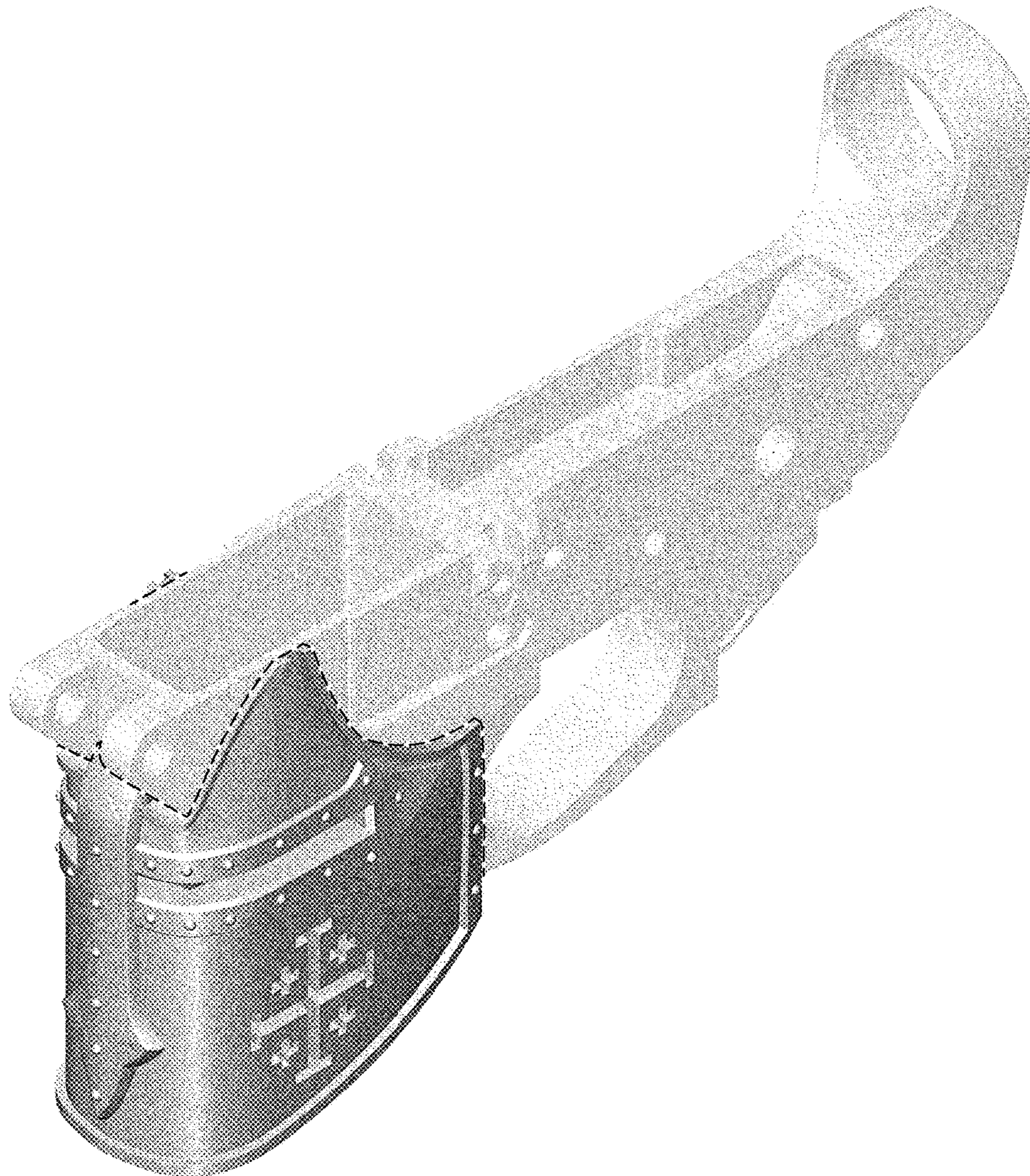


FIG. 1

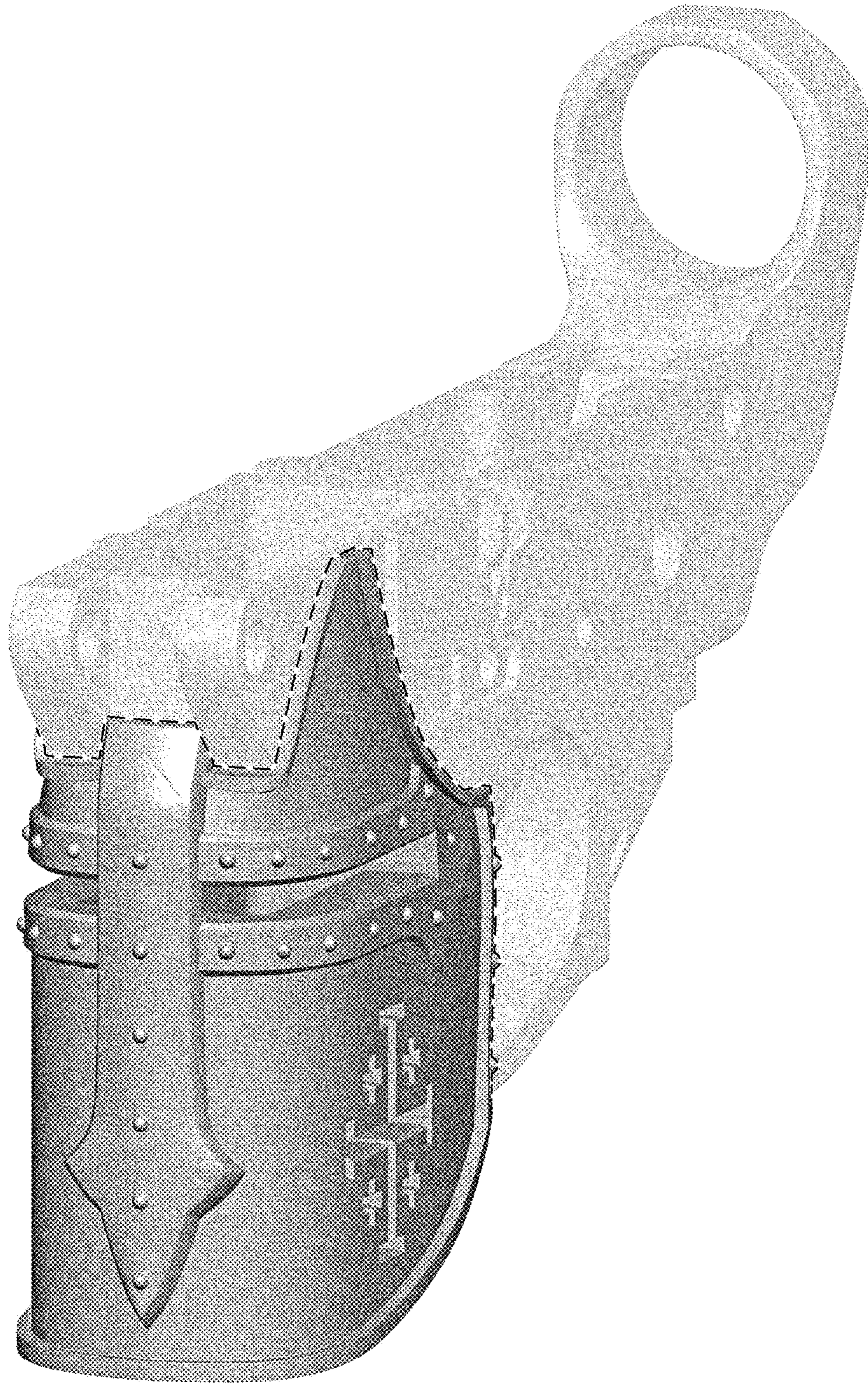


FIG. 2

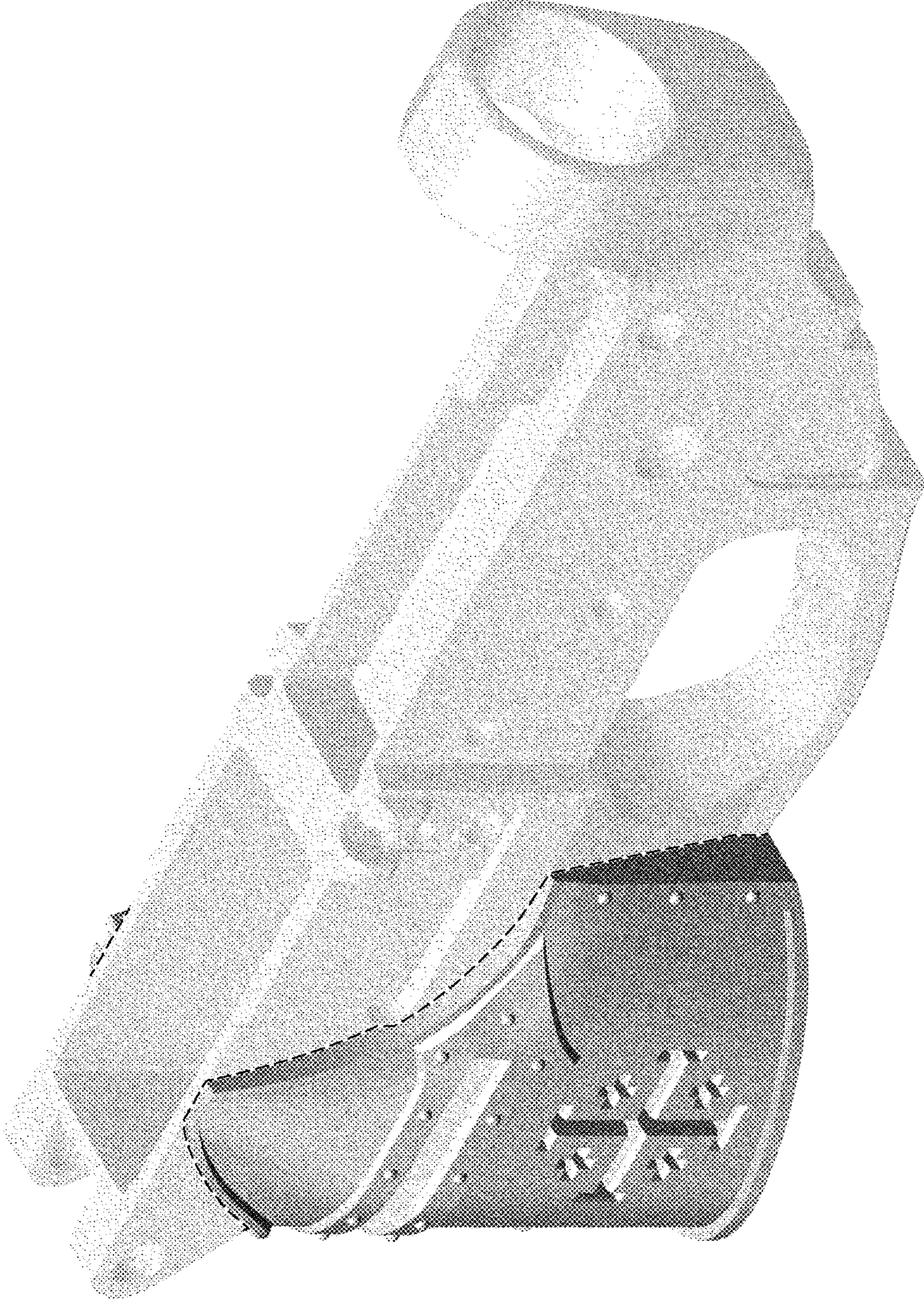


FIG. 3

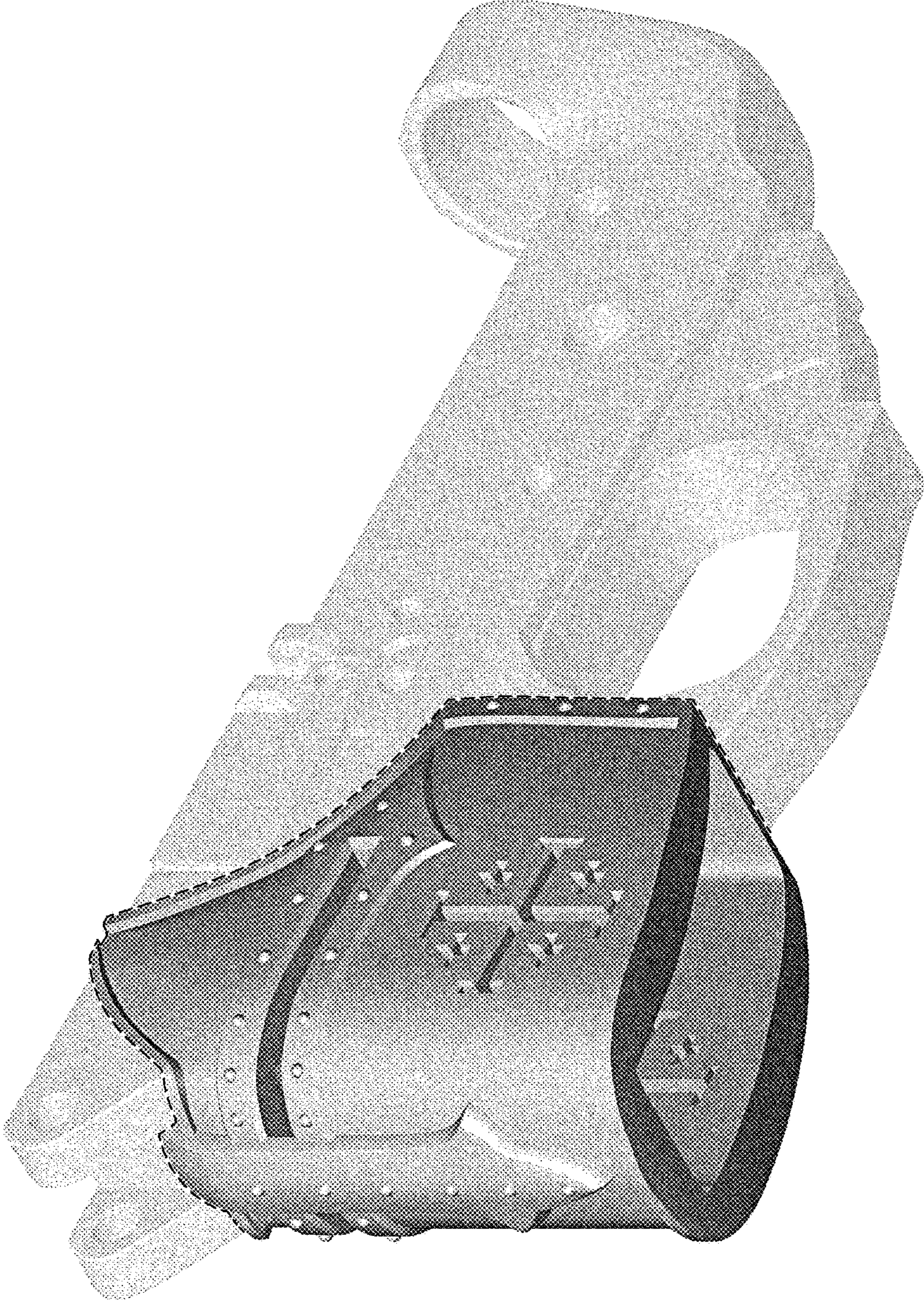


FIG. 4

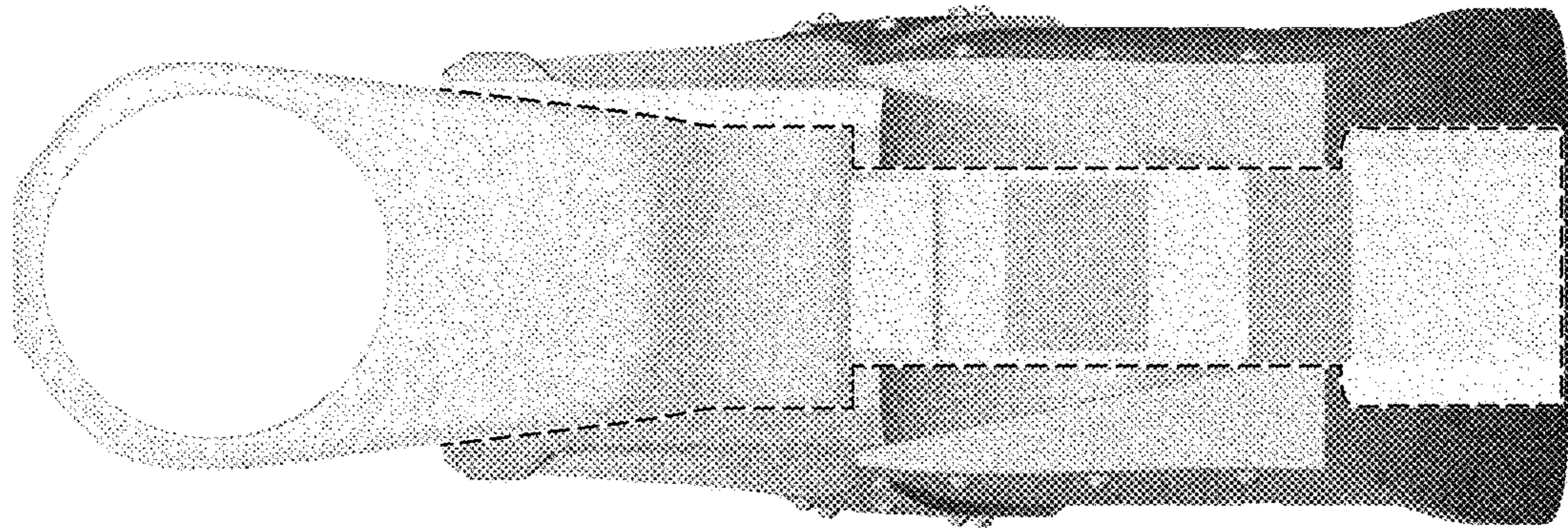


FIG. 6

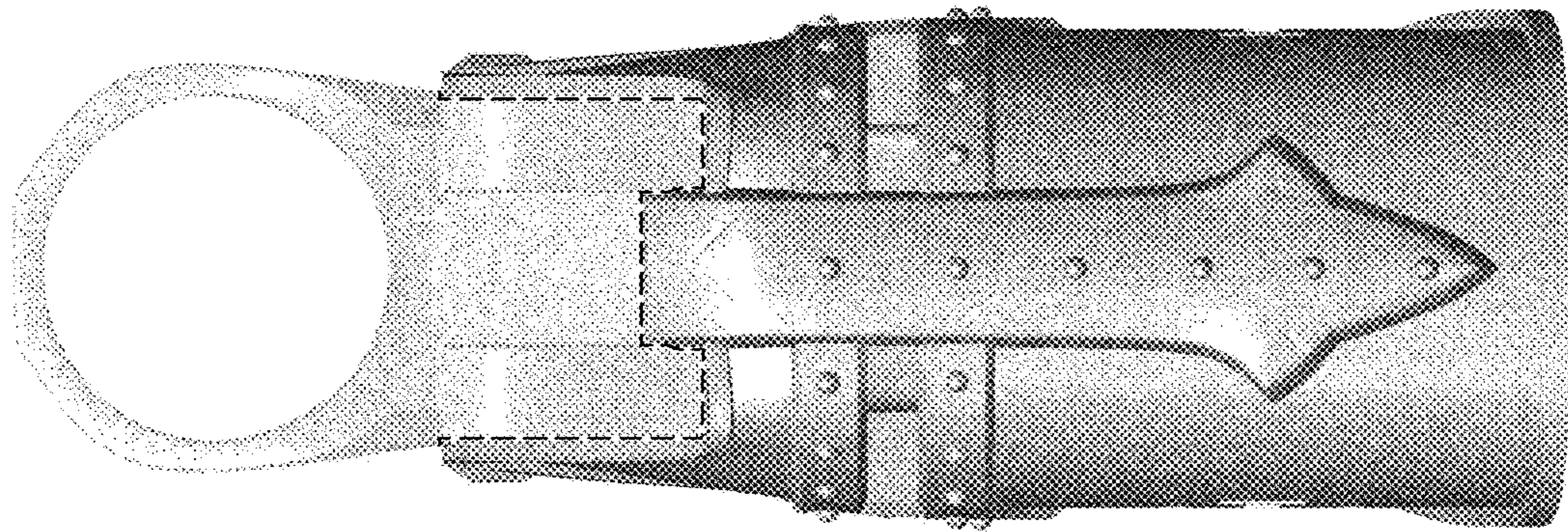


FIG. 5

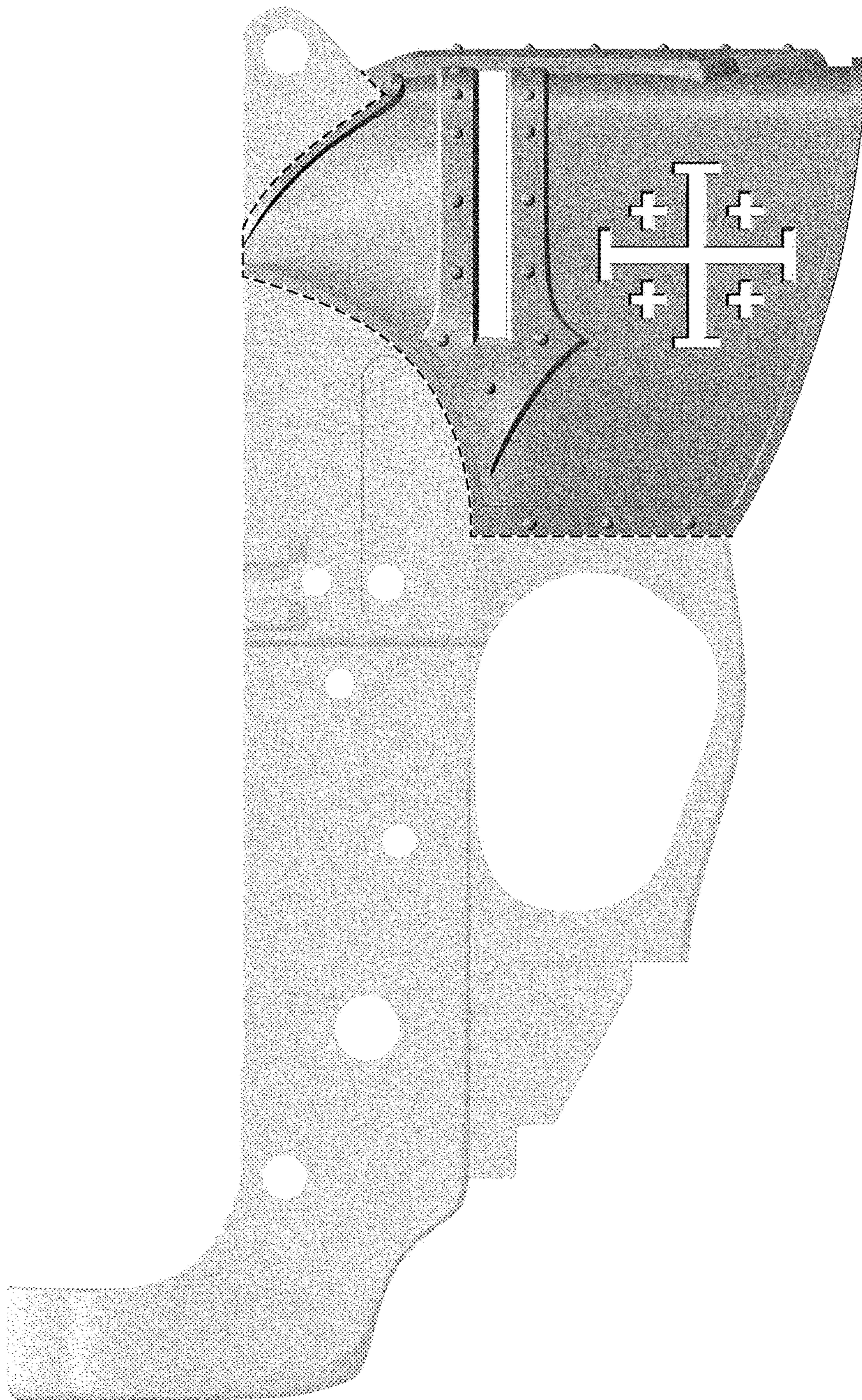


FIG. 7

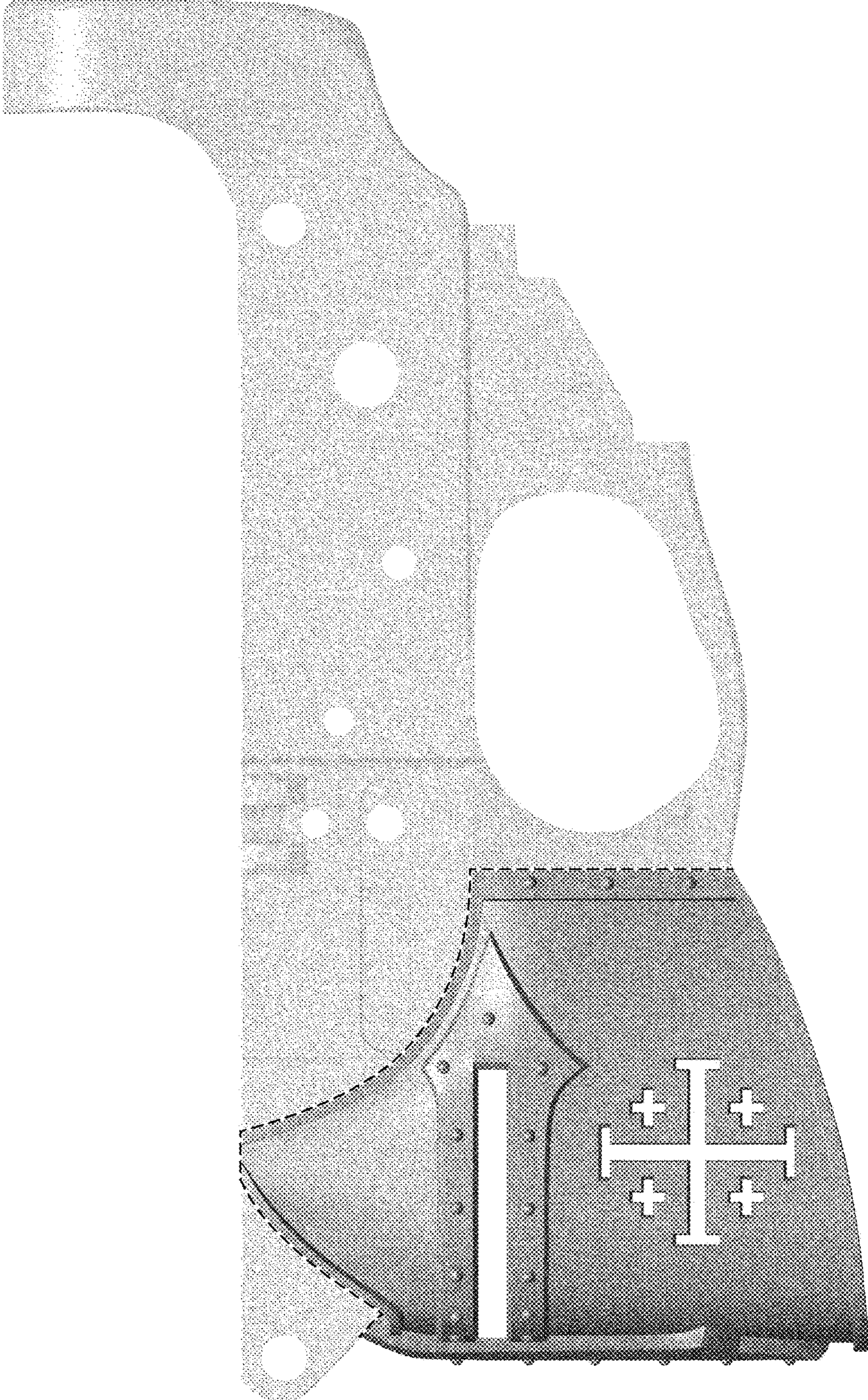


FIG. 8



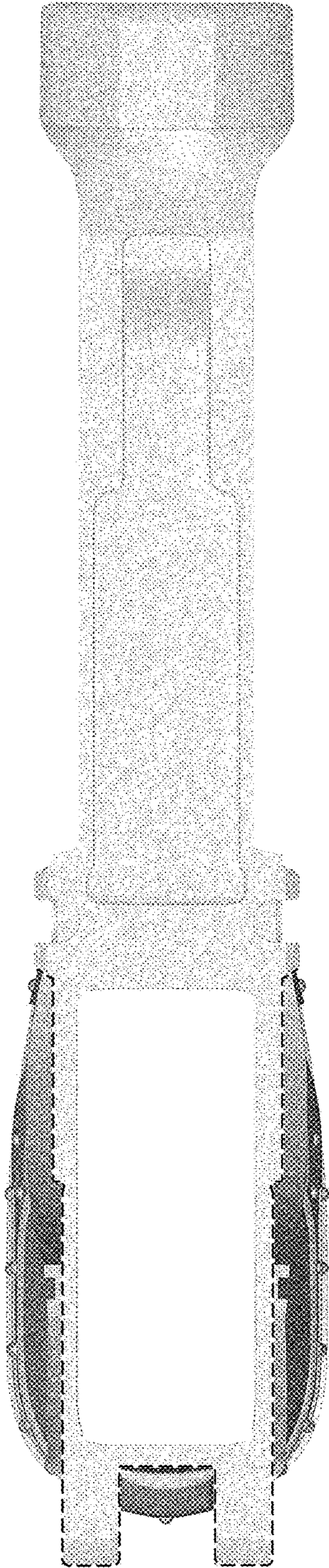


FIG. 9

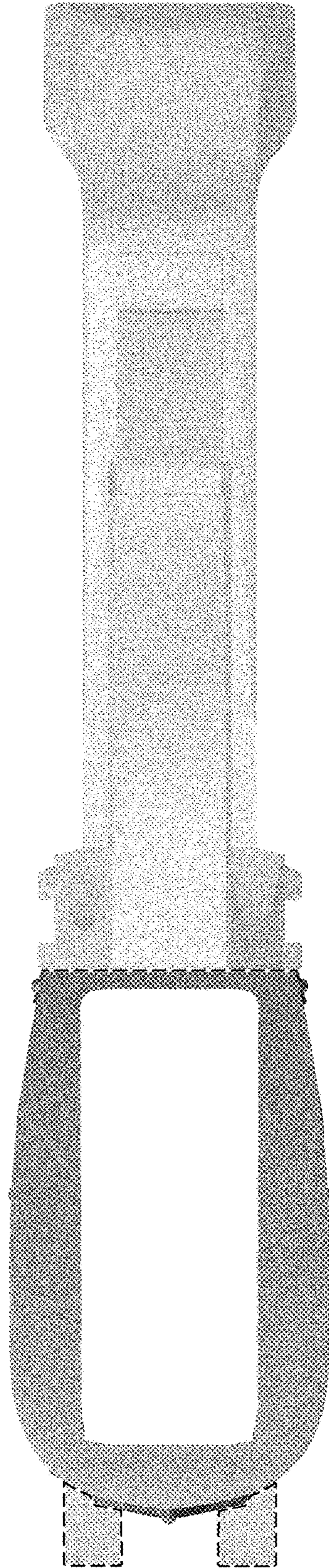


FIG. 10