



US00D834126S

(12) **United States Design Patent**
Wampold

(10) **Patent No.:** **US D834,126 S**

(45) **Date of Patent:** **** Nov. 20, 2018**

(54) **MERMAID FLOAT**

(71) Applicant: **BigMouth, Inc.**, Glastonbury, CT (US)

(72) Inventor: **Stephen G. Wampold**, Glastonbury, CT (US)

(73) Assignee: **BIGMOUTH, LLC**, Glastonbury, CT (US)

(**) Term: **15 Years**

(21) Appl. No.: **29/593,948**

(22) Filed: **Feb. 14, 2017**

(51) **LOC (11) Cl.** **21-02**

(52) **U.S. Cl.**
USPC **D21/803**

(58) **Field of Classification Search**
USPC D21/769, 770, 801, 803, 804, 805, 806,
D21/807, 808, 809; D12/5, 6, 316;
D6/392, 395, 596, 601, 604, 605
CPC B63B 35/79; B63B 35/73; B63B 1/00; B63B
35/76
See application file for complete search history.

(56) **References Cited**

U.S. PATENT DOCUMENTS

D230,454 S *	2/1974	Thompson	D21/803
D263,982 S *	4/1982	Behl	D21/803
D287,528 S *	12/1986	Maxwell	D21/803
D305,449 S *	1/1990	Rundquist, Jr.	D21/803
D323,765 S *	2/1992	Corthum	D21/803
D330,139 S *	10/1992	Bloom	5/655
5,231,951 A *	8/1993	Tagar	B63B 35/76 114/345
D393,038 S *	3/1998	Peterson	D21/803
D393,679 S *	4/1998	Peterson	D21/809
D393,680 S *	4/1998	Peterson	D21/809
D393,681 S *	4/1998	Peterson	D21/809
D429,787 S *	8/2000	Peterson	D21/803
D445,285 S *	7/2001	Kwapis	D21/808

D446,568 S *	8/2001	Peterson	D21/803
D476,712 S *	7/2003	Peterson	D21/803
D499,785 S *	12/2004	Klimenko	D21/803
D654,398 S *	2/2012	van Kempen	D12/6
D697,336 S *	1/2014	Perry	D21/803
D697,765 S	1/2014	Wampold		
D703,008 S	4/2014	Wampold		
D703,009 S	4/2014	Wampold		
D703,285 S *	4/2014	Chiu	D21/803
D719,409 S	12/2014	Wampold		
D720,078 S	12/2014	Wampold		
D721,182 S	1/2015	Wampold		
D725,209 S *	3/2015	Wampold	D21/803
D726,273 S	4/2015	Wampold		

(Continued)

OTHER PUBLICATIONS

<https://www.amazon.com/BigMouth-Inc-Giant-Mermaid-Float/dp/B01N5R8OIC/>—Earliest product review of May 14, 2017.*

Primary Examiner — Manpreet S Matharu
Assistant Examiner — Mojtaba Tehrani
(74) *Attorney, Agent, or Firm* — K&L Gates LLP

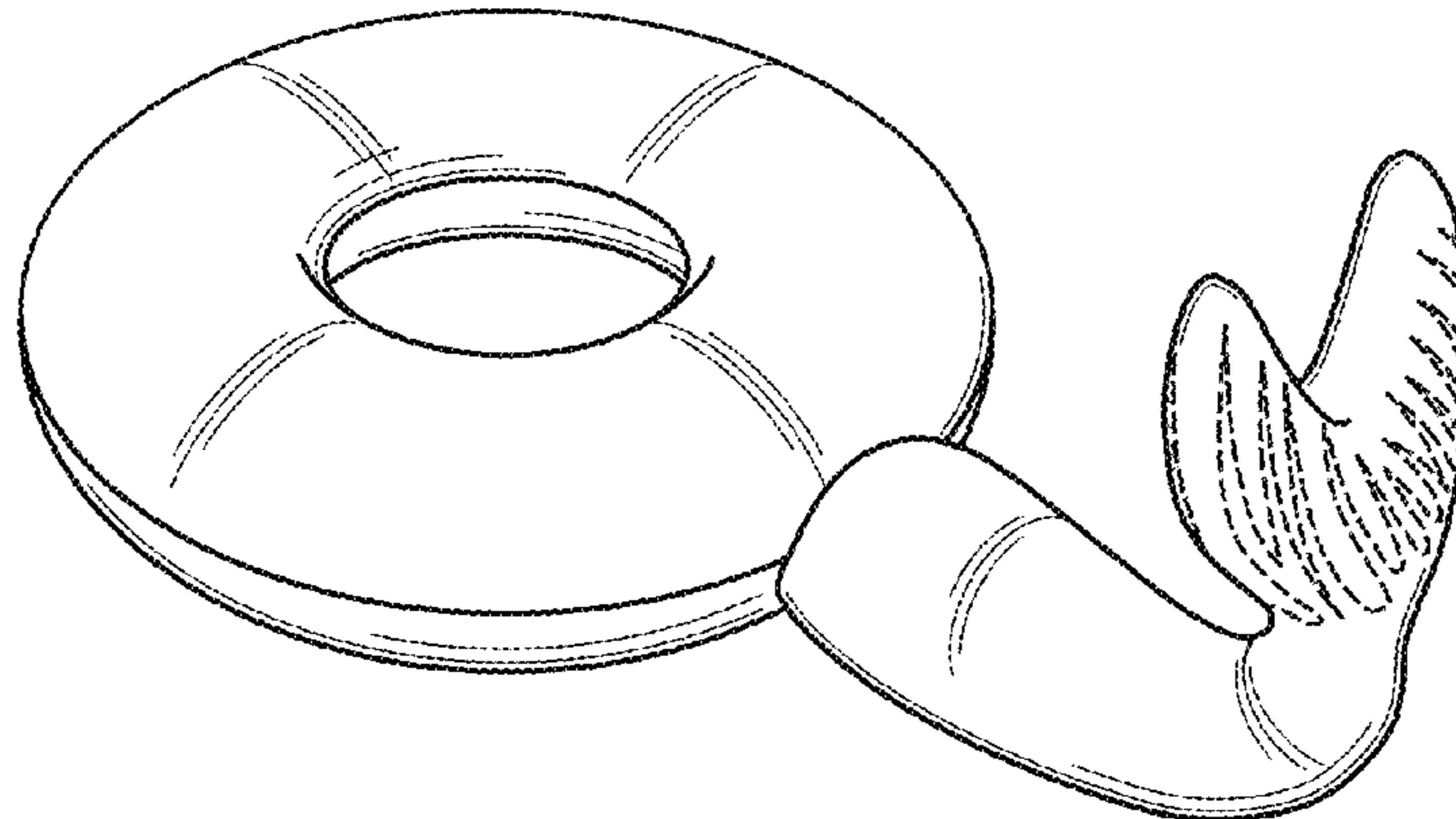
(57) **CLAIM**

The ornamental design for a mermaid float, as shown and described.

DESCRIPTION

FIG. 1 is a rear top perspective view of my design; FIG. 2 is a rear elevation view of one side thereof; FIG. 3 is a rear elevation view of the other side thereof; FIG. 4 is a top view thereof; FIG. 5 is a bottom view thereof; FIG. 6 is an elevation view of one side thereof; FIG. 7 is an elevation view of the other side thereof; and, FIG. 8 is a bottom front perspective view thereof. The broken line in the figure drawings represents unclaimed portion of the design only and forms no part of the claim.

1 Claim, 5 Drawing Sheets



(56)

References Cited

U.S. PATENT DOCUMENTS

D727,689 S	4/2015	Wampold	
D728,113 S	4/2015	Wampold	
D737,101 S	8/2015	Wampold	
D738,687 S	9/2015	Wampold	
D754,245 S	4/2016	Wampold	
D759,182 S	6/2016	Wampold	
D770,860 S	11/2016	Wampold	
D772,012 S	11/2016	Wampold	
D775,293 S *	12/2016	Miller	D21/803
D775,295 S	12/2016	Wampold	
D775,894 S	1/2017	Wampold	
D787,617 S *	5/2017	Krepack	D21/808

* cited by examiner

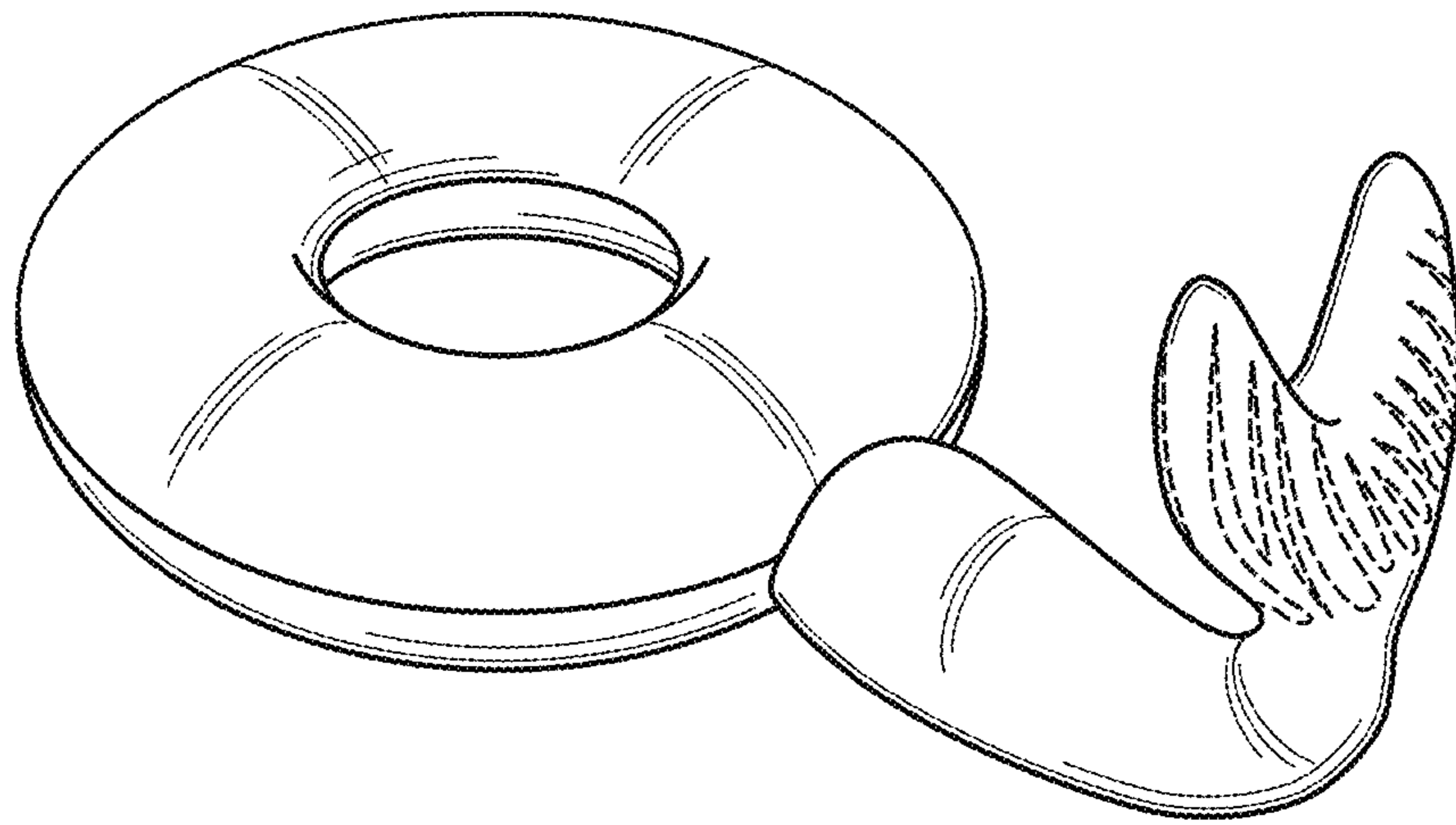


FIG. 1

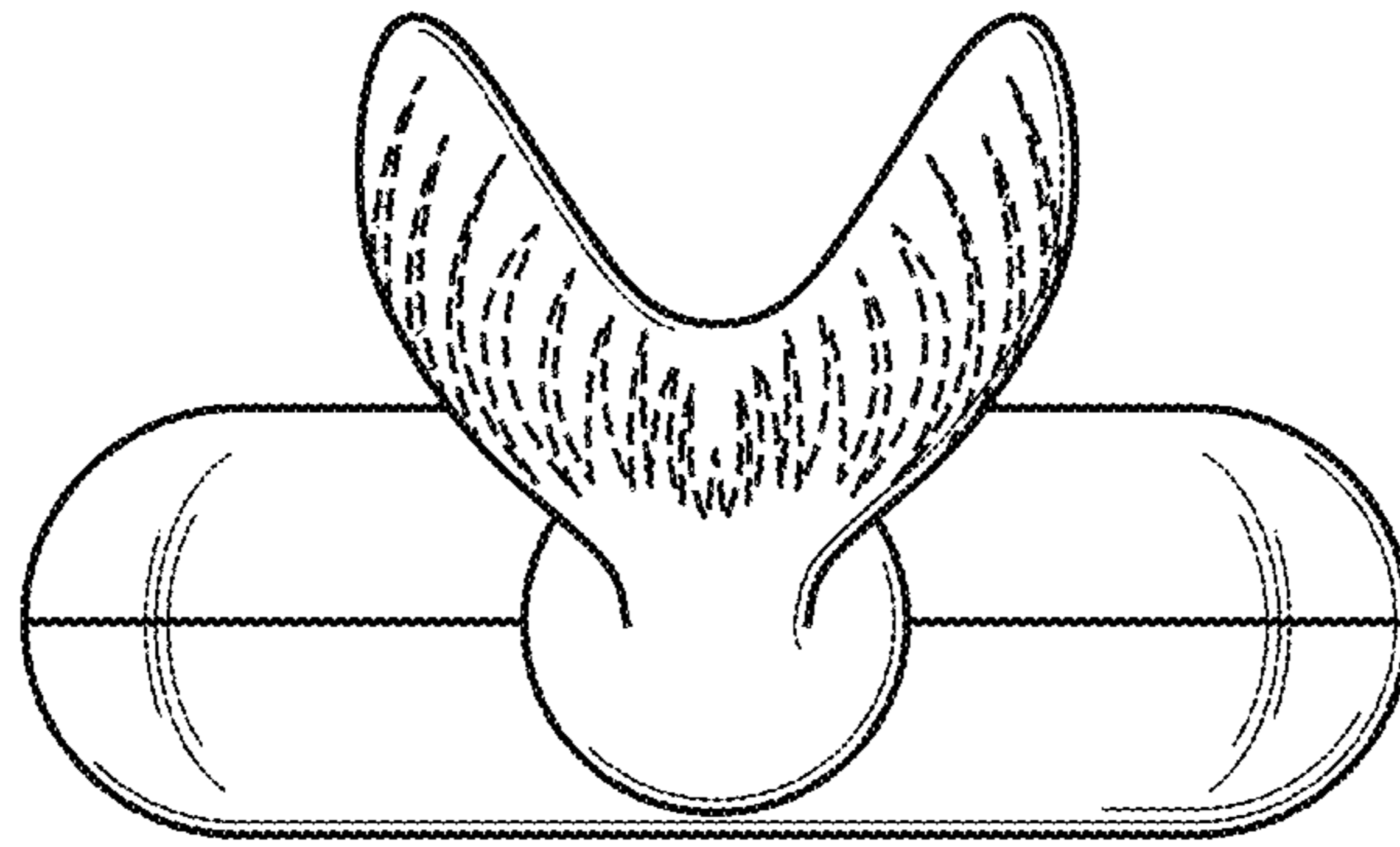


FIG. 2

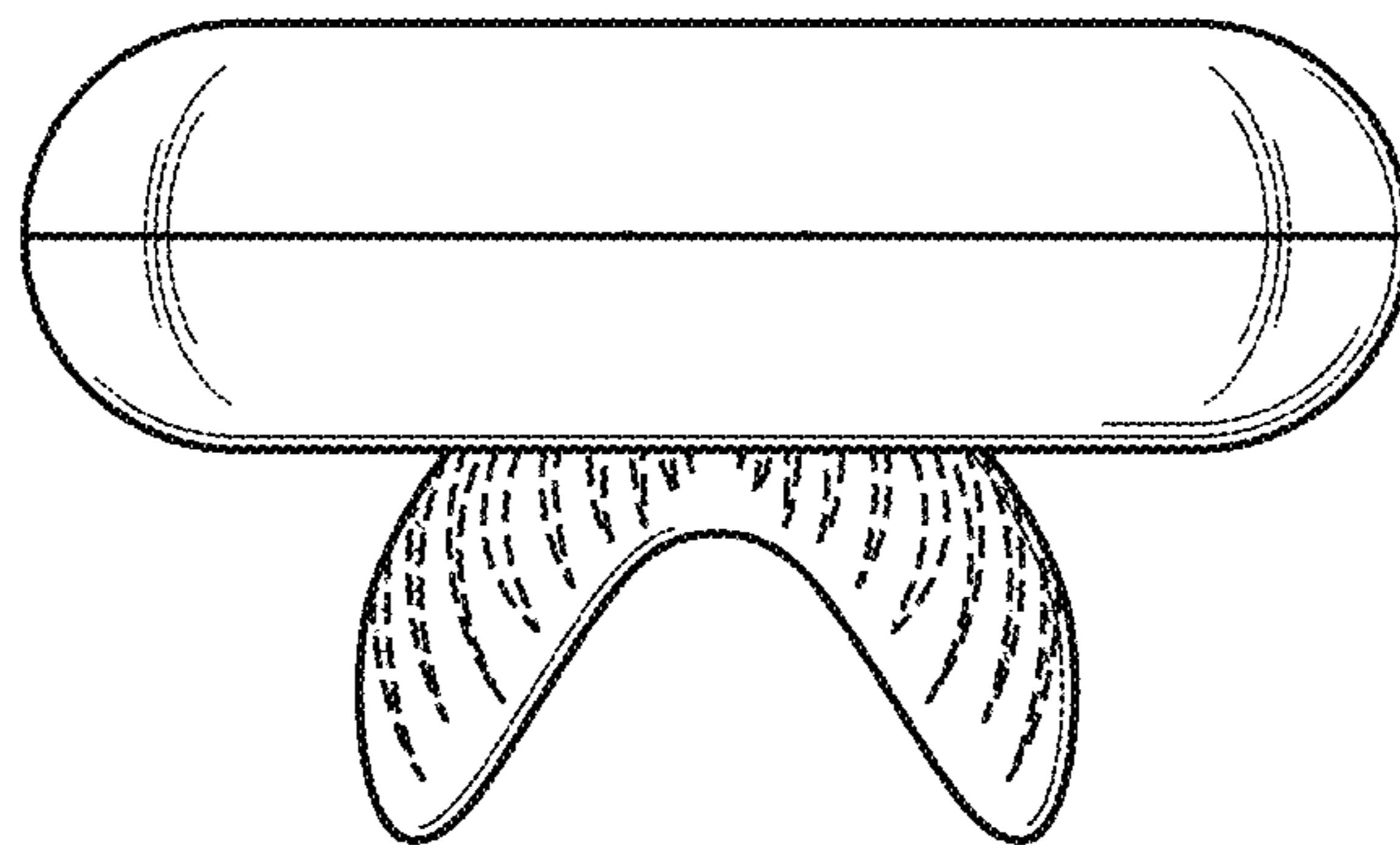


FIG. 3

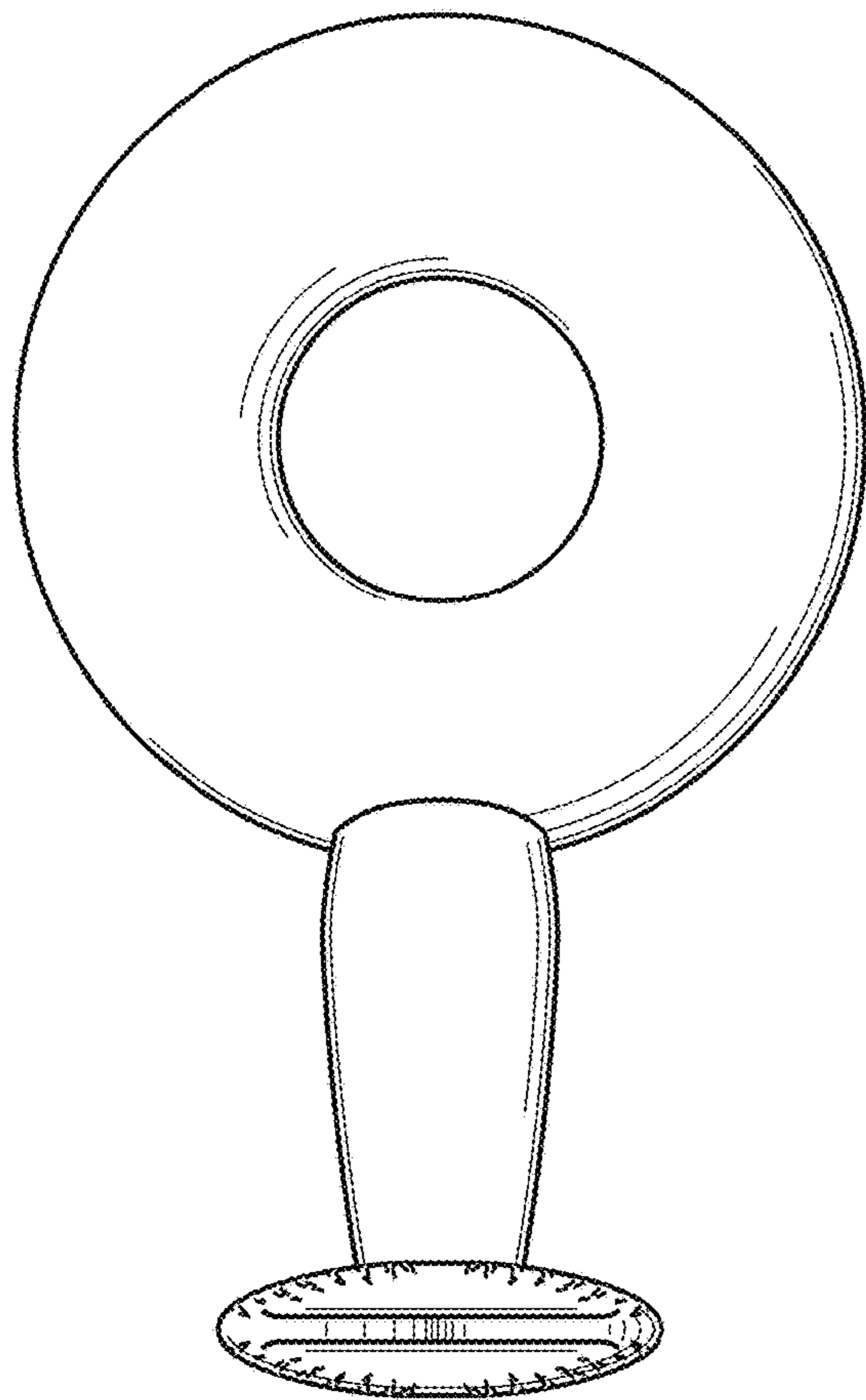


FIG. 4

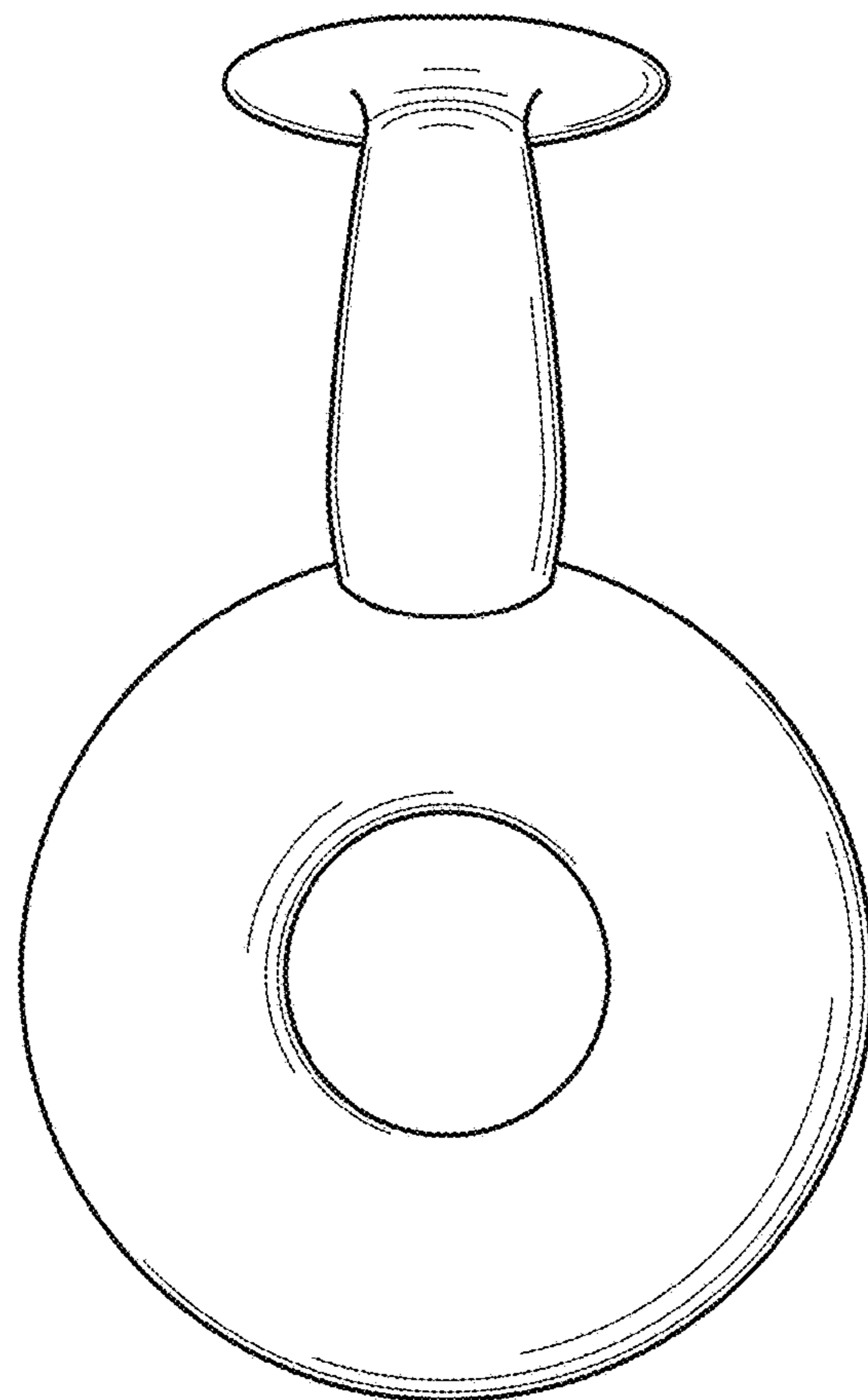


FIG. 5

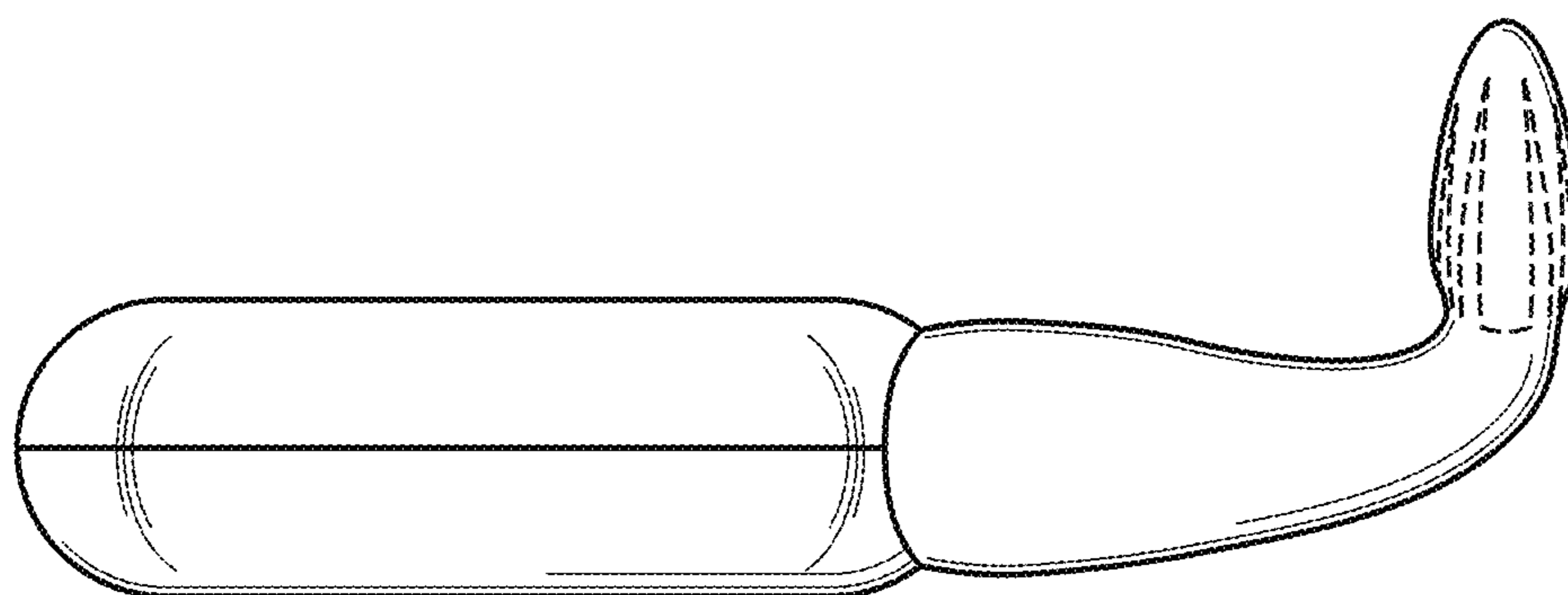


FIG. 6

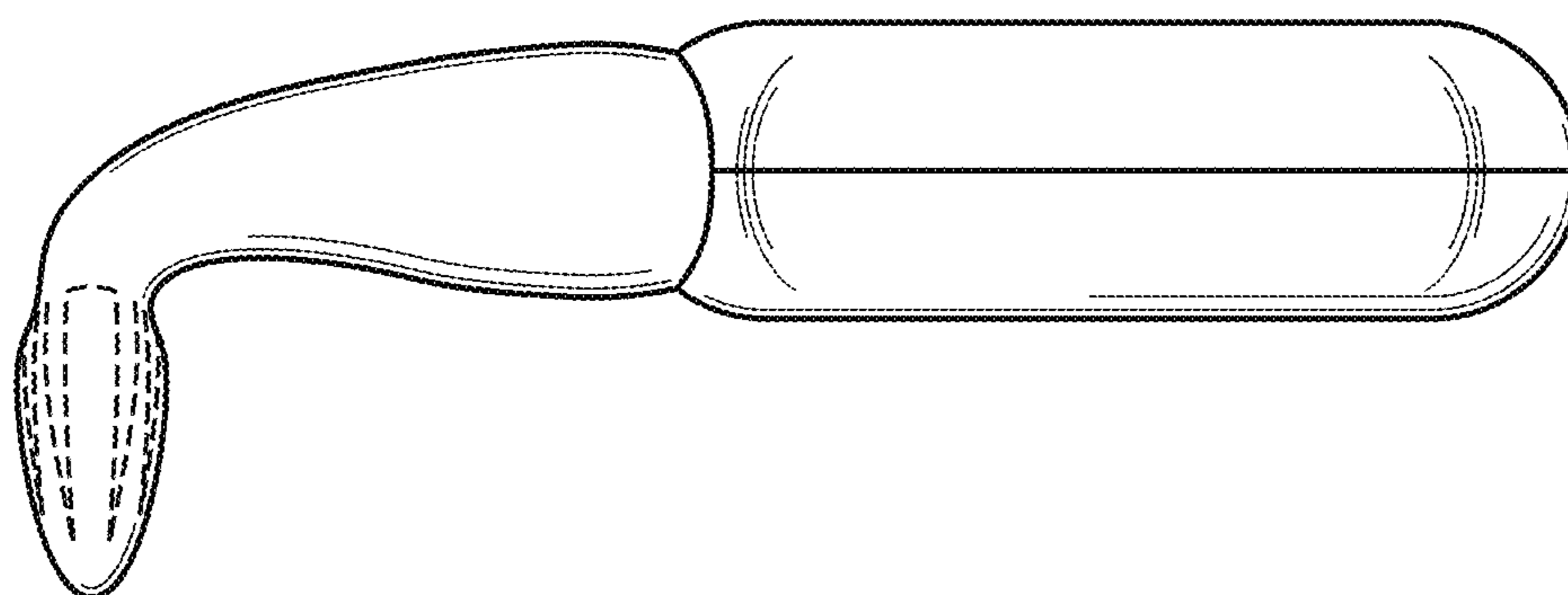


FIG. 7

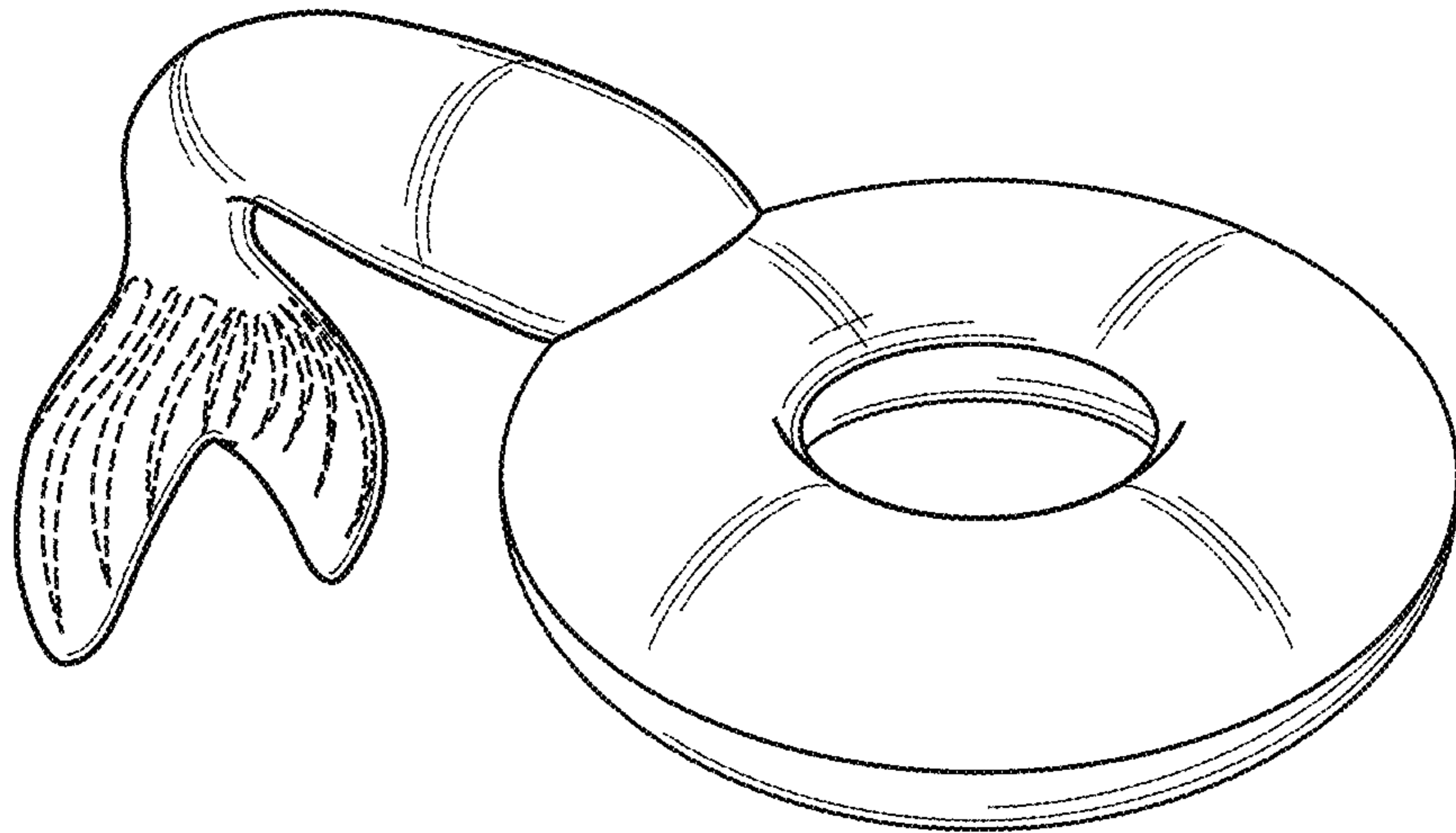


FIG. 8