



US00D834125S

(12) **United States Design Patent** (10) **Patent No.:** **US D834,125 S**
Cameron (45) **Date of Patent:** **** Nov. 20, 2018**

- (54) **GOLF BALL MARKER**
- (71) Applicant: **Acushnet Company**, Fairhaven, MA (US)
- (72) Inventor: **Don T. Cameron**, Carlsbad, CA (US)
- (73) Assignee: **Acushnet Company**, Fairhaven, MA (US)
- (**) Term: **15 Years**
- (21) Appl. No.: **29/616,401**
- (22) Filed: **Sep. 6, 2017**
- (51) **LOC (11) Cl.** **21-02**
- (52) **U.S. Cl.**
USPC **D21/794**
- (58) **Field of Classification Search**
USPC D21/789, 793, 794
CPC A63B 57/353; A63B 57/207; A63B 57/00;
A63B 57/30; A63B 57/35; A63B 57/50
See application file for complete search history.

D661,761 S *	6/2012	Cameron	D21/794
D662,165 S *	6/2012	Kragerud	D21/794
D675,694 S *	2/2013	Chang	D21/794
D689,973 S *	9/2013	Smith	D21/794
D704,291 S *	5/2014	Snyder	D21/794
D721,152 S *	1/2015	Kokoska	D21/794
D726,271 S *	4/2015	Sheldon	D21/794
D741,972 S *	10/2015	McDevitt	D21/794
D762,799 S *	8/2016	Polete	D21/794
D816,178 S *	4/2018	Goserud	D21/794
2009/0305817 A1 *	12/2009	Cameron	A63B 59/50 473/406
2009/0305818 A1 *	12/2009	Cameron	A63B 57/50 473/406

* cited by examiner

Primary Examiner — Mitchell I. Siegel
(74) *Attorney, Agent, or Firm* — Randy K. Chang

(57) **CLAIM**

The ornamental design for a golf ball marker, as shown and described.

DESCRIPTION

FIG. 1 is a perspective sole view of my new design for a golf ball marker;
FIG. 2 is a side view thereof;
FIG. 3 is a top view thereof;
FIG. 4 is another side view thereof;
FIG. 5 is a front view thereof;
FIG. 6 is a bottom view thereof; and,
FIG. 7 is a rear view thereof.
The portion of the golf ball marker shown in phantom are for illustrative purposes only and do not form any portion of the claimed design.

1 Claim, 2 Drawing Sheets

- (56) **References Cited**
U.S. PATENT DOCUMENTS
- | | | | | |
|---------------|---------|--------------|-------|----------------------|
| 1,789,525 A * | 1/1931 | Hoff | | E01F 9/553
404/15 |
| D446,837 S * | 8/2001 | Tate | | D21/794 |
| D480,444 S * | 10/2003 | Marchessault | | D21/794 |
| D520,588 S * | 5/2006 | Morgan | | D21/794 |
| D554,725 S * | 11/2007 | Park | | D21/793 |
| D616,953 S * | 6/2010 | Shinki | | D21/794 |
| D624,142 S * | 9/2010 | Weber | | D21/794 |
| D624,143 S * | 9/2010 | Weber | | D21/794 |
| D642,231 S * | 7/2011 | Johnson | | D21/794 |

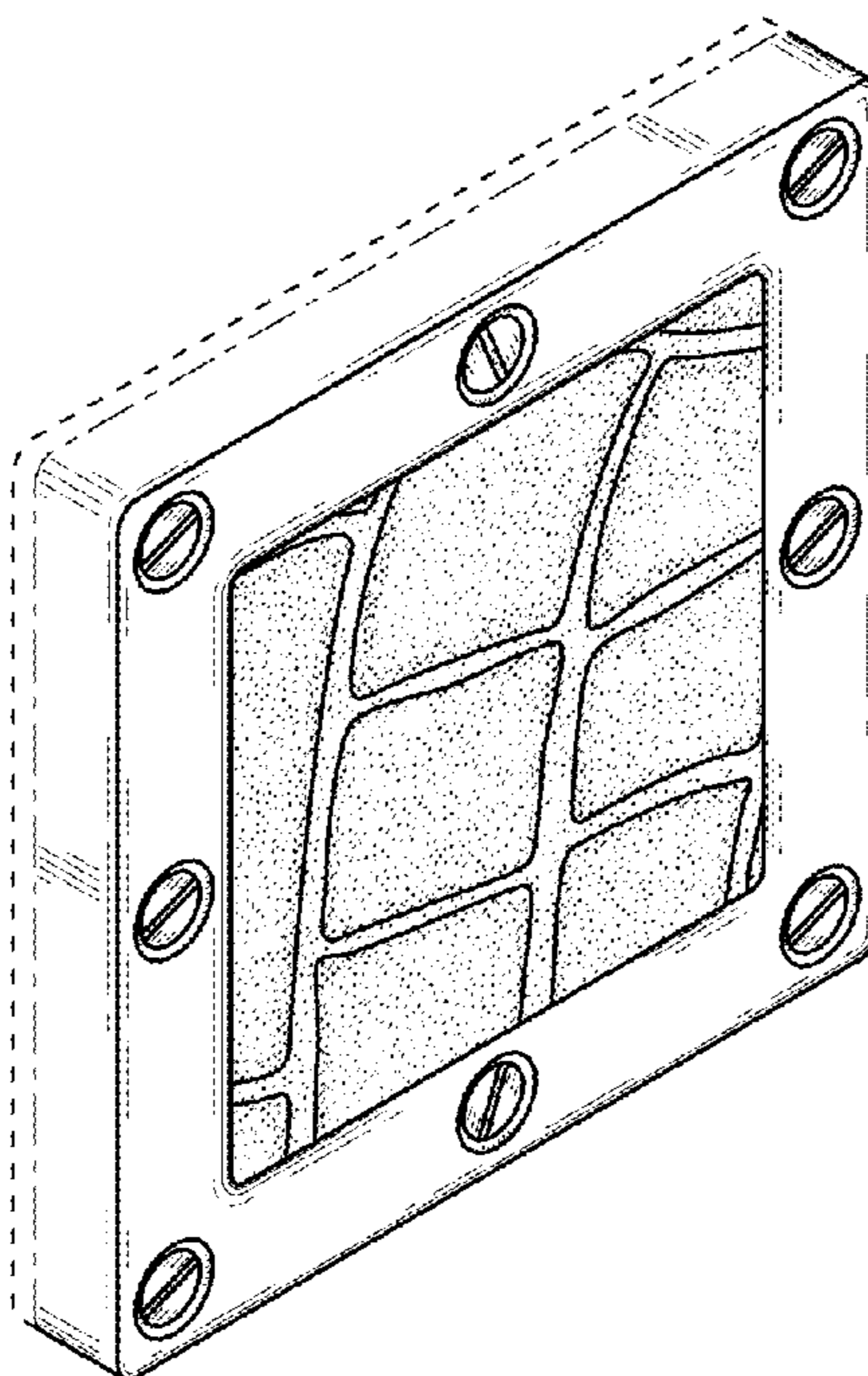


FIG. 1

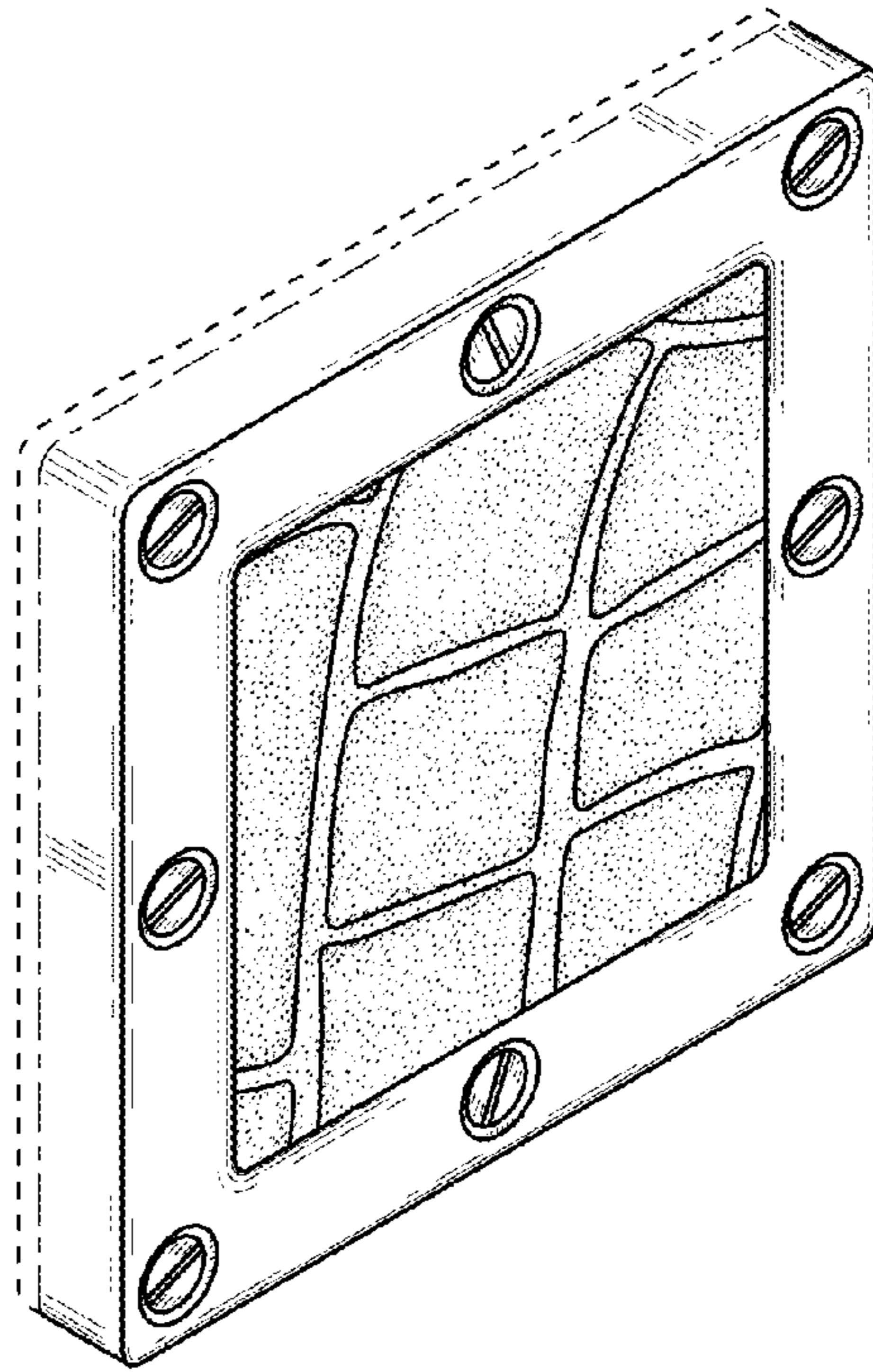


FIG. 2

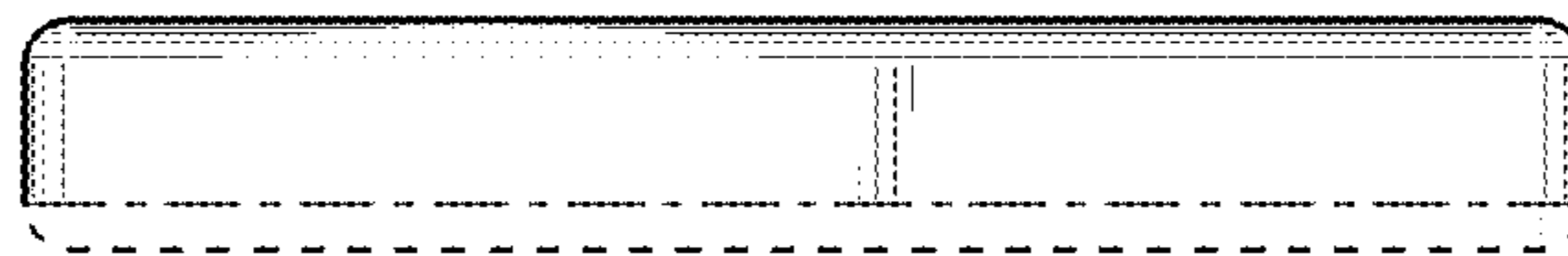


FIG. 3

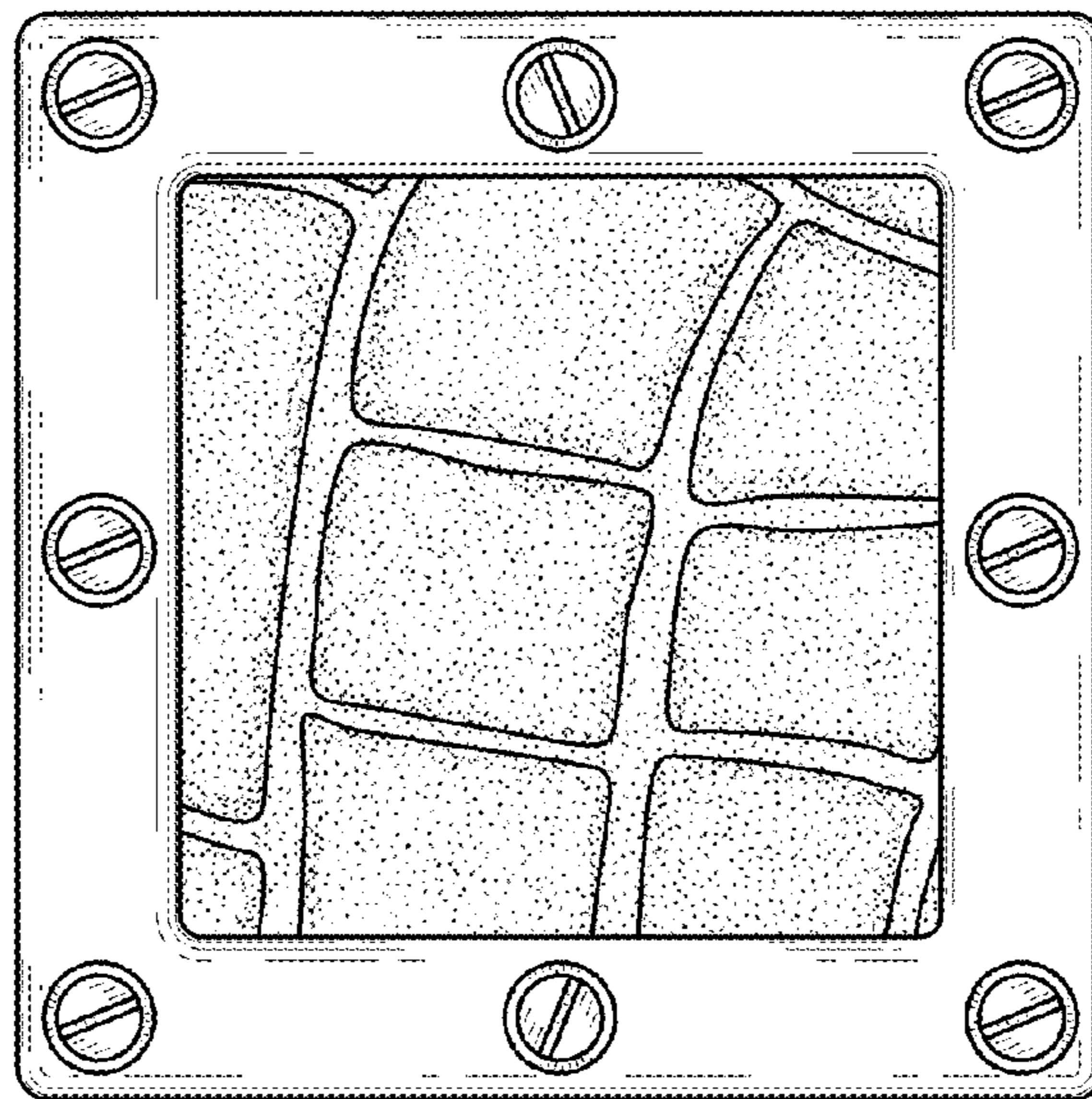


FIG. 4



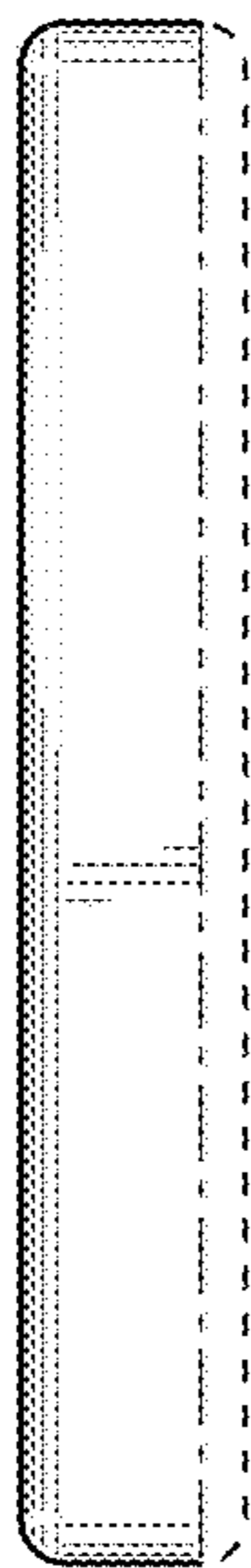


FIG. 5

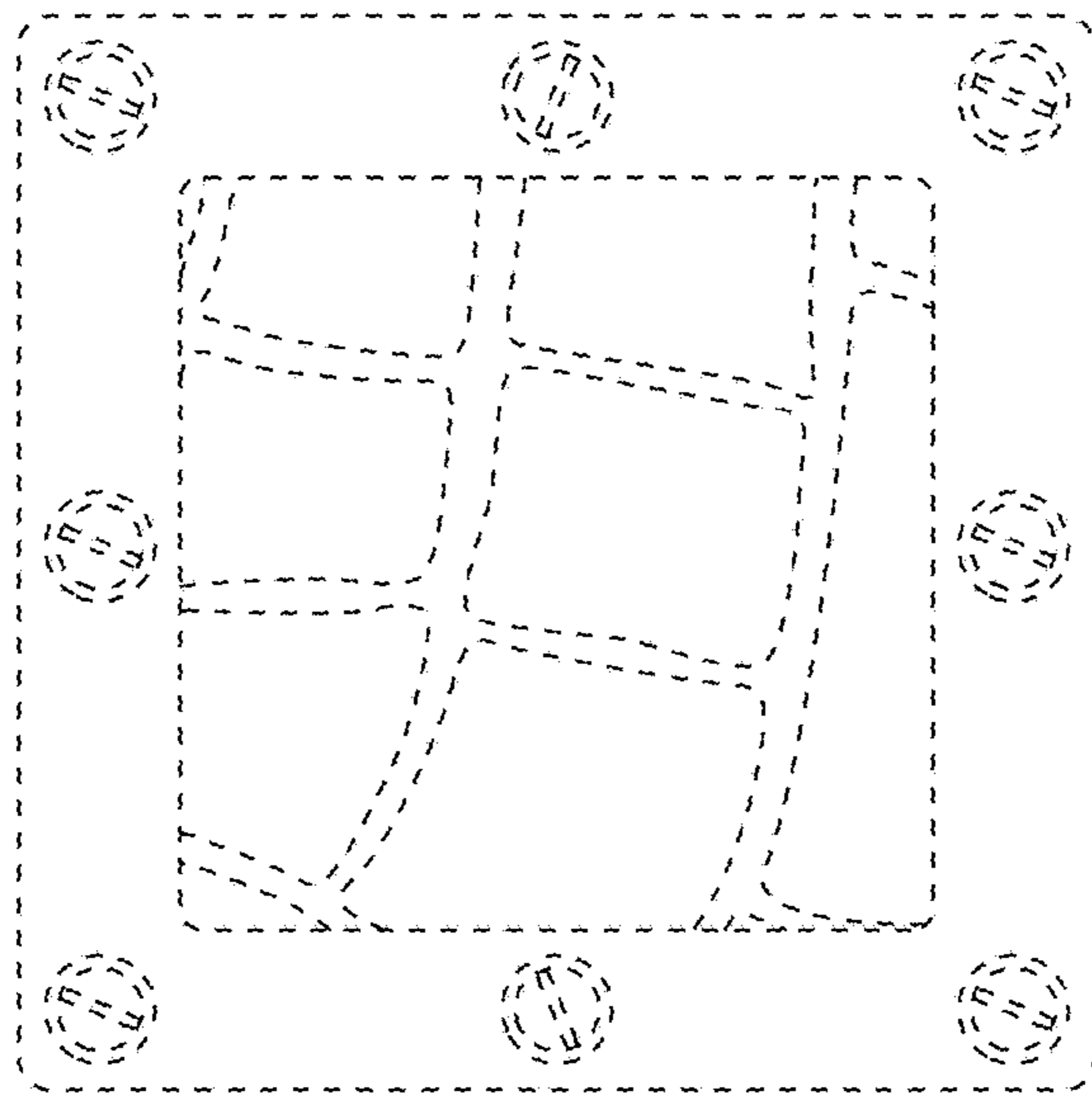


FIG. 6



FIG. 7