



US00D834123S

(12) **United States Design Patent** (10) **Patent No.:** **US D834,123 S**  
**Sato** (45) **Date of Patent:** **\*\* Nov. 20, 2018**

(54) **ONE-MAN RIDING MOBILE APPARATUS**

(71) Applicant: **Koichi Sato**, Fukuoka (JP)

(72) Inventor: **Koichi Sato**, Fukuoka (JP)

(73) Assignee: **Koichi Sato**, Fukuoka (JP)

(\*\*) Term: **15 Years**

(21) Appl. No.: **29/547,357**

(22) Filed: **Dec. 3, 2015**

(51) **LOC (11) Cl.** ..... **21-02**

(52) **U.S. Cl.**  
USPC ..... **D21/760**; D21/419

(58) **Field of Classification Search**  
USPC ..... D21/419, 421, 423, 426, 662, 760, 765,  
D21/766, 769, 771, 776, 803; D12/1;  
D34/23, 27  
CPC ..... A63C 17/01; A63C 17/011; A63C 17/012;  
A63C 17/014; A63C 17/015; A63C  
17/02; A63C 17/26; A63C 5/003; B60Q  
1/326; B62K 3/001  
See application file for complete search history.

(56) **References Cited**

**U.S. PATENT DOCUMENTS**

D255,258 S \* 6/1980 Lukes ..... D21/765  
D352,586 S \* 11/1994 Baucom ..... D34/23  
D484,664 S \* 12/2003 Arceta ..... D34/27  
D650,545 S \* 12/2011 Malone, Jr. .... D34/23  
D711,614 S \* 8/2014 Shitrit ..... D34/23  
9,022,154 B2 \* 5/2015 Sato ..... A63C 17/011  
180/181  
9,844,719 B1 \* 12/2017 Huang ..... A63C 17/12

D810,218 S \* 2/2018 Huang ..... D21/765  
2006/0231313 A1 \* 10/2006 Ishii ..... A63C 17/12  
180/218  
2008/0029991 A1 \* 2/2008 Su ..... A63C 17/01  
280/243  
2015/0008058 A1 \* 1/2015 Sato ..... A63C 17/011  
180/181  
2016/0367884 A1 \* 12/2016 Chiu ..... A63C 17/12  
2017/0087442 A1 \* 3/2017 Yang ..... A63C 17/011  
2017/0259163 A1 \* 9/2017 Zhou ..... A63C 17/12

\* cited by examiner

*Primary Examiner* — Cynthia M. Chin

(74) *Attorney, Agent, or Firm* — Polsinelli PC

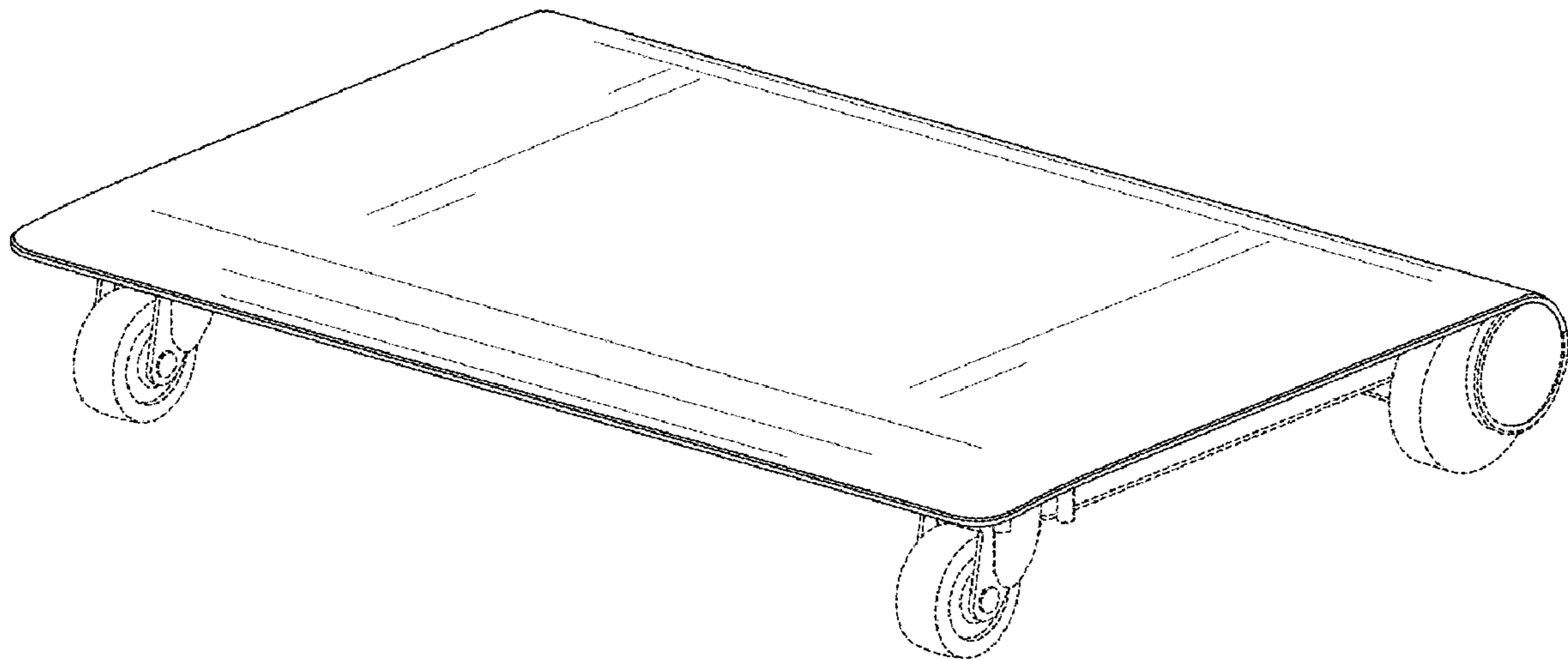
(57) **CLAIM**

The ornamental design for an one-man riding mobile apparatus, as shown and described.

**DESCRIPTION**

FIG. 1 is a front view showing the new design;  
FIG. 2 is a rear view thereof;  
FIG. 3 is a top view thereof;  
FIG. 4 is a bottom view thereof;  
FIG. 5 is a right view thereof;  
FIG. 6 is a perspective view thereof;  
FIG. 7 is another perspective view thereof; and,  
FIG. 8 is still another perspective view thereof.  
The left sight view is omitted since it is a mirror image of the right side view.  
The broken lines are for the purposes of illustrating portions of the article that form no part of the claim.

**1 Claim, 4 Drawing Sheets**



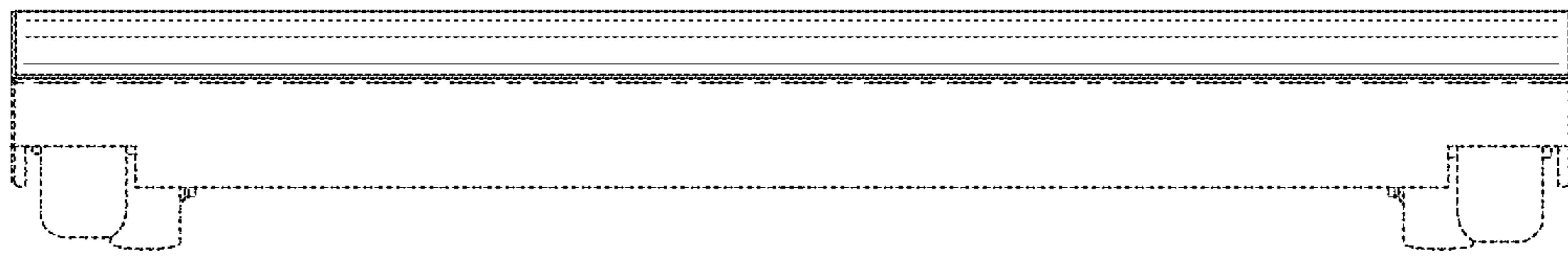


FIG. 1

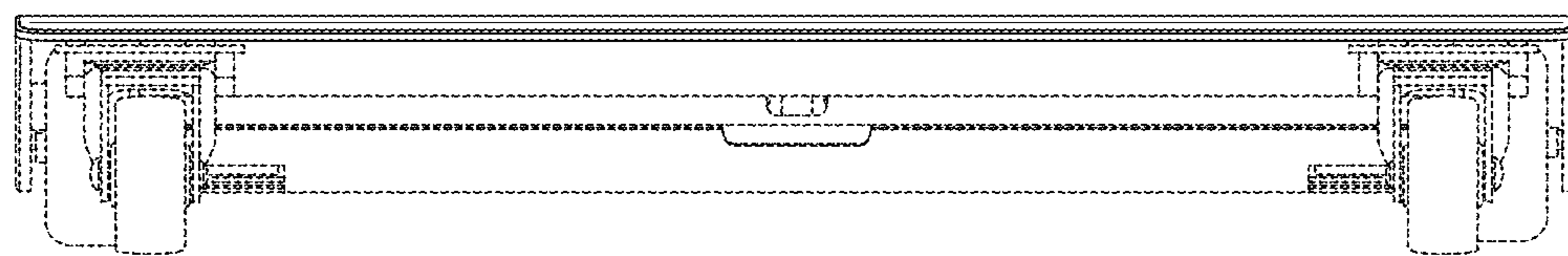


FIG. 2

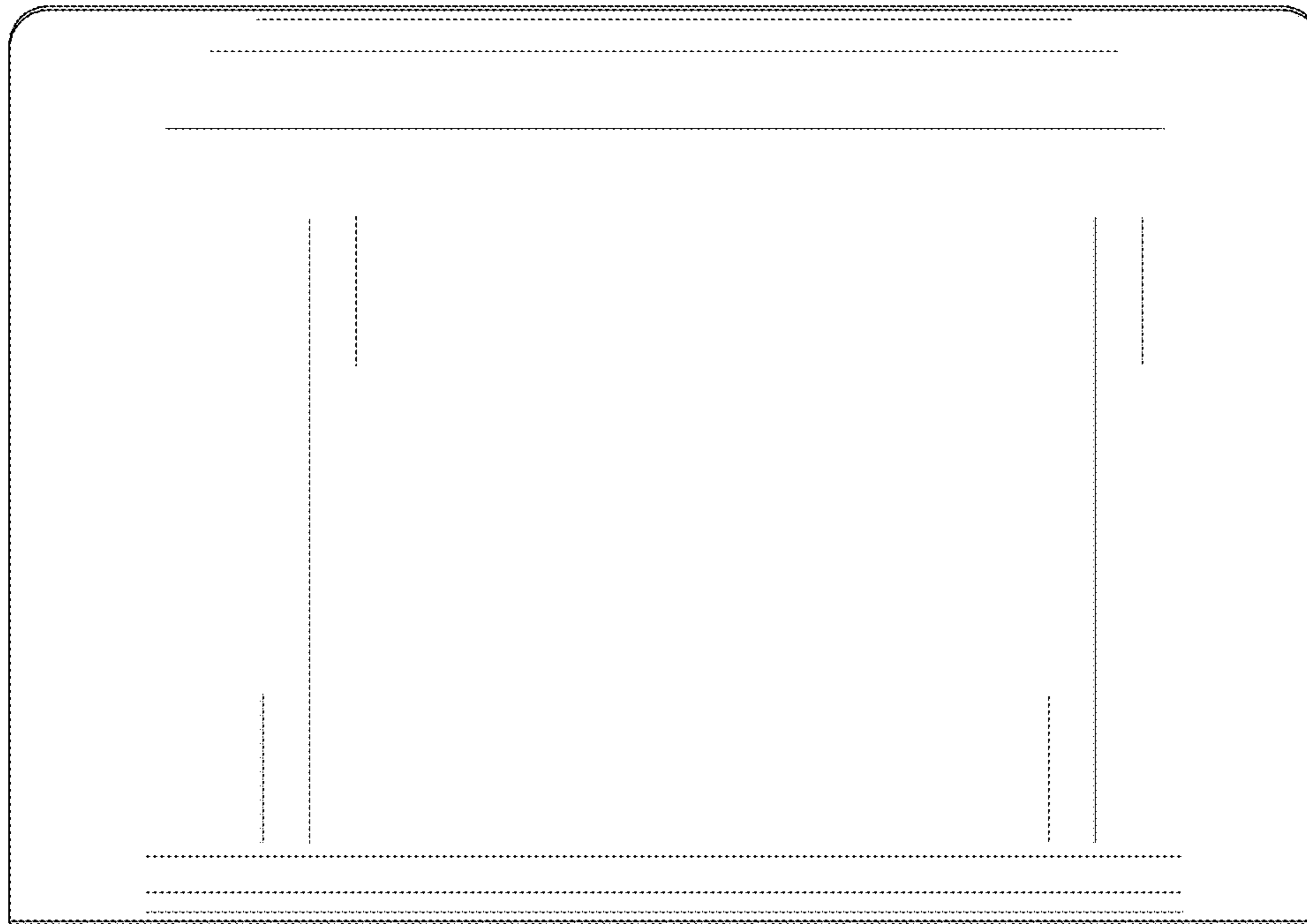


FIG. 3

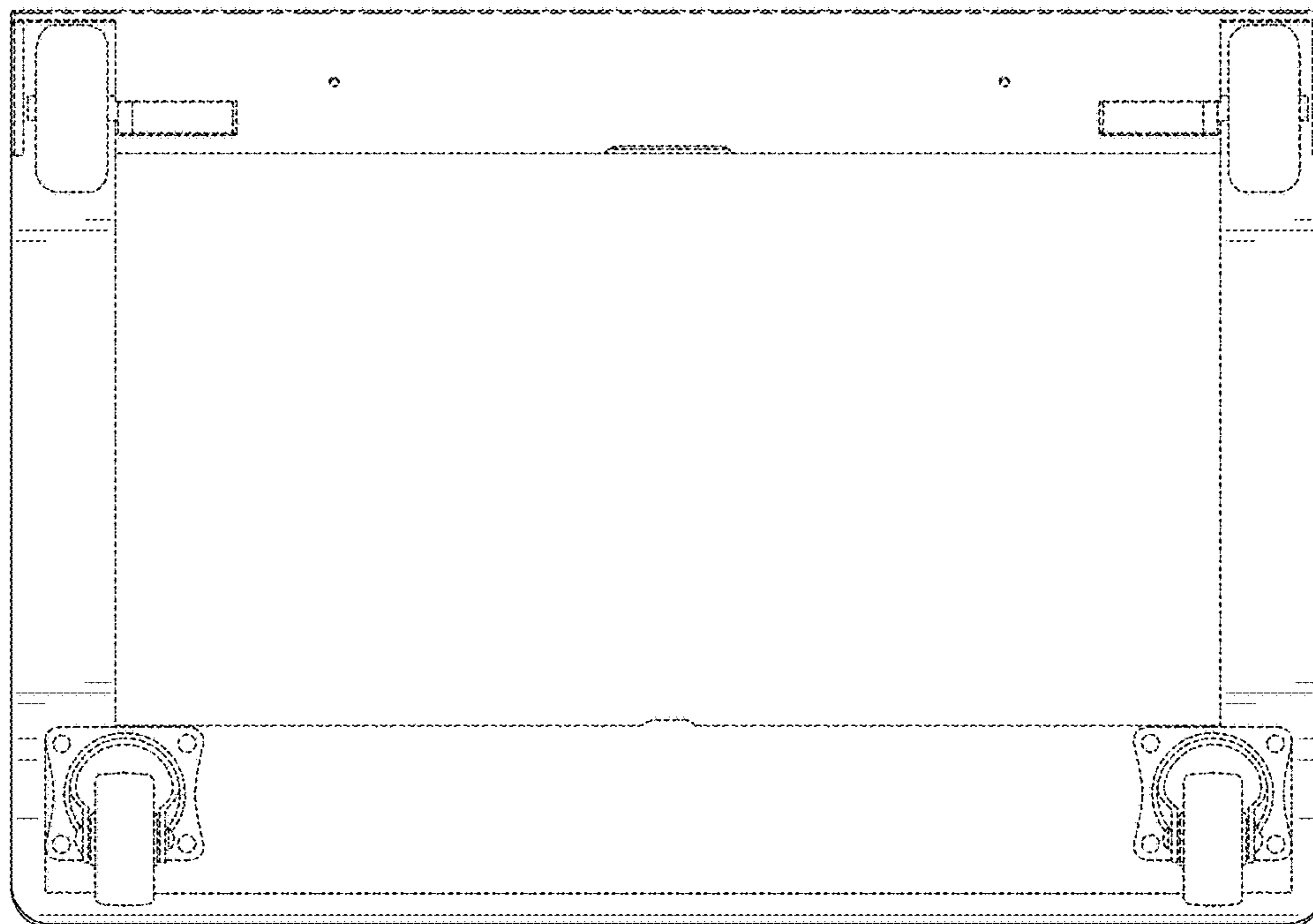


FIG. 4

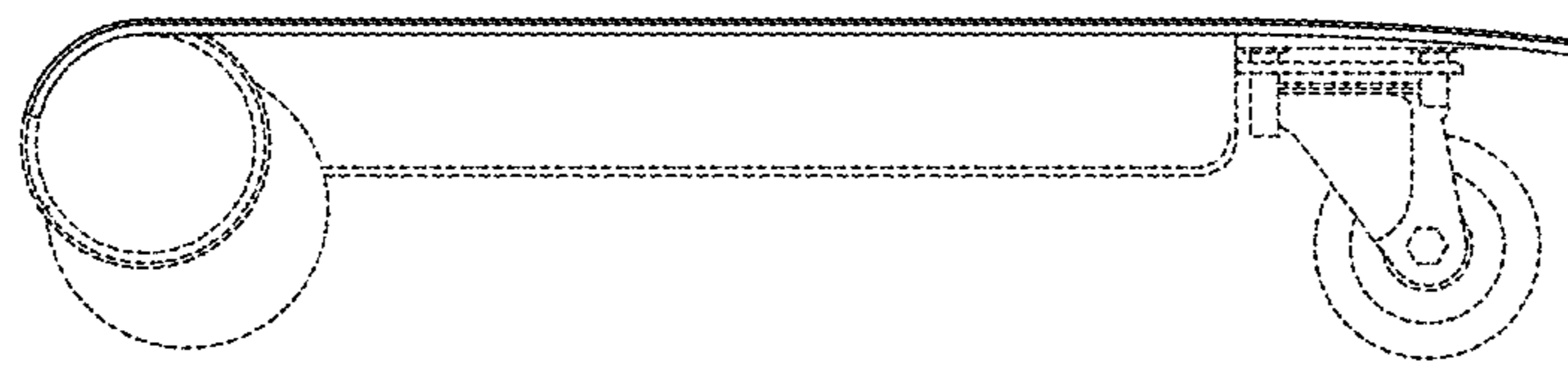


FIG. 5

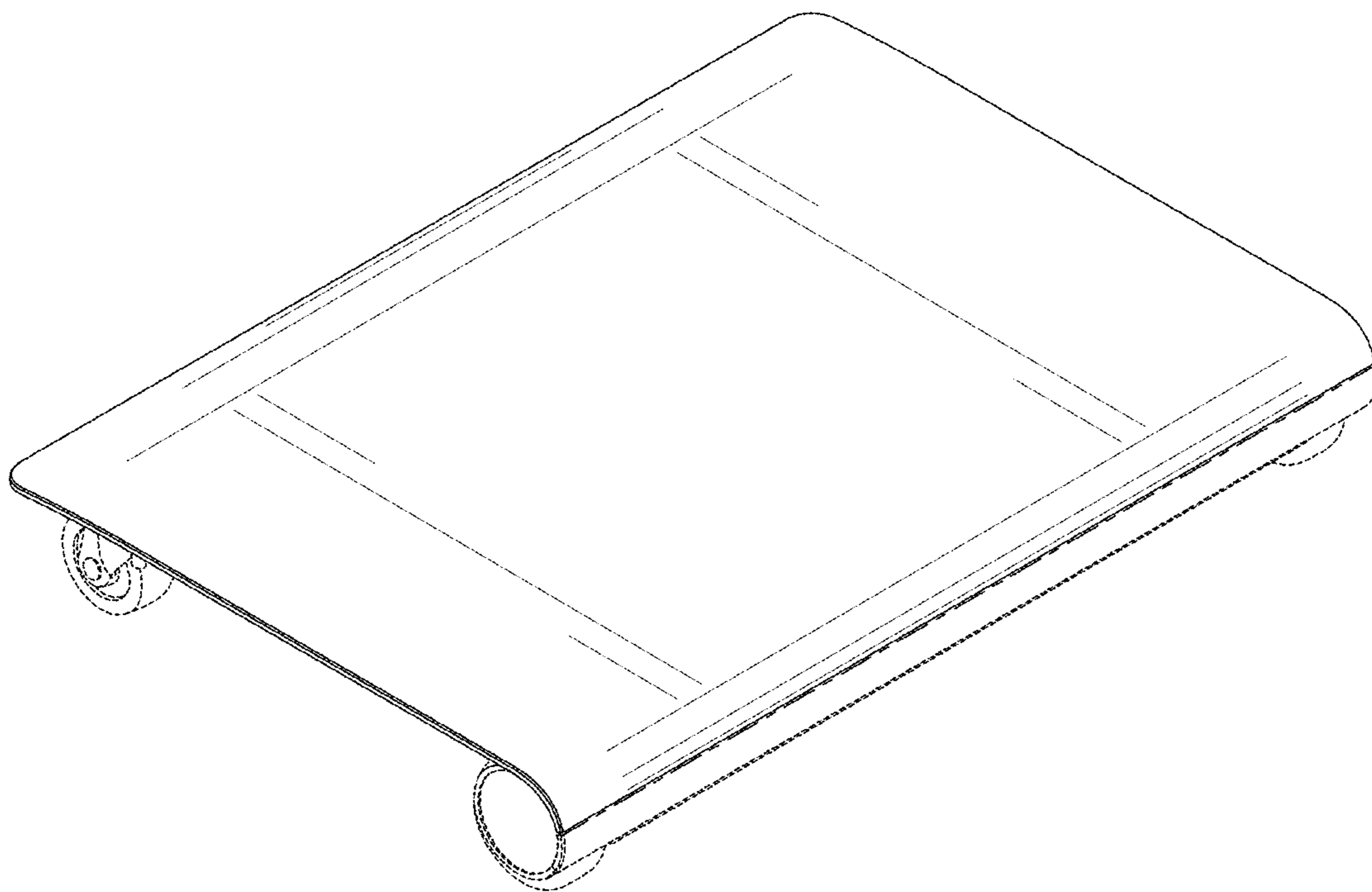


FIG. 6

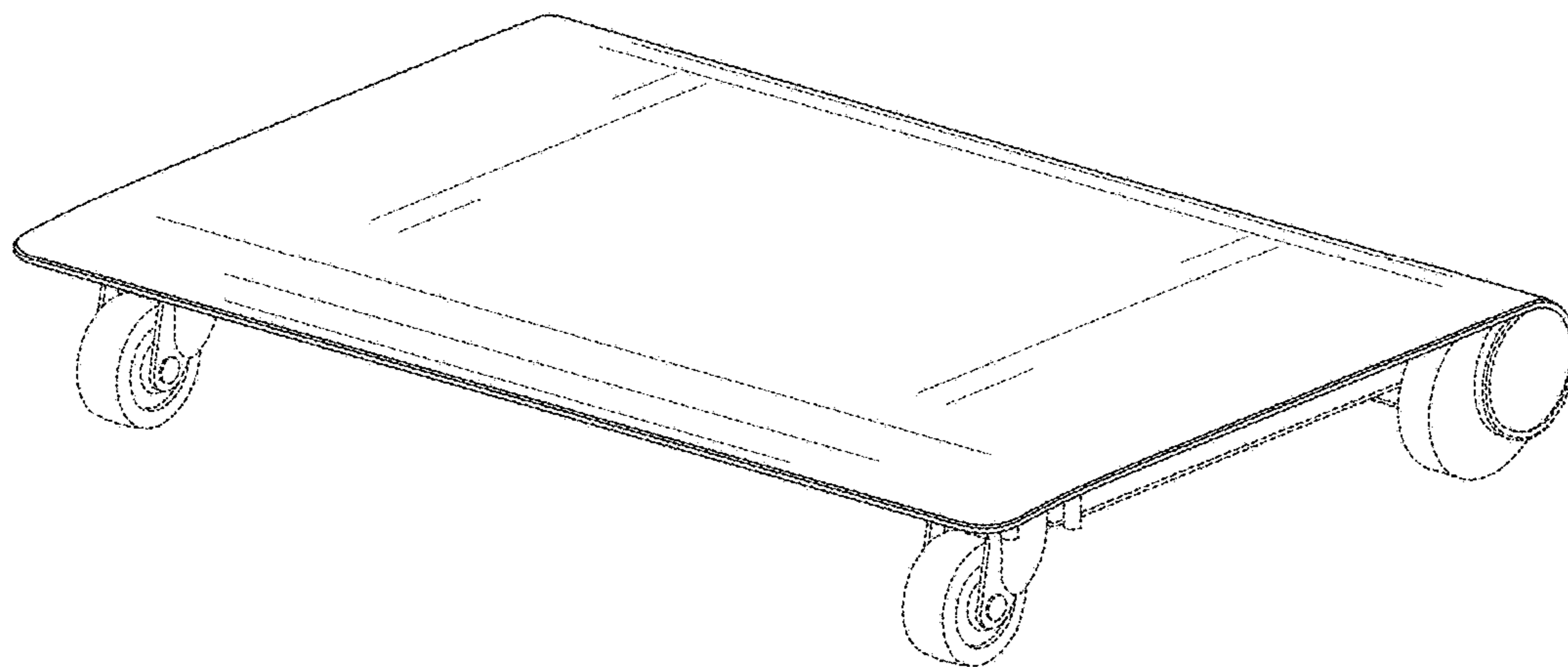


FIG. 7

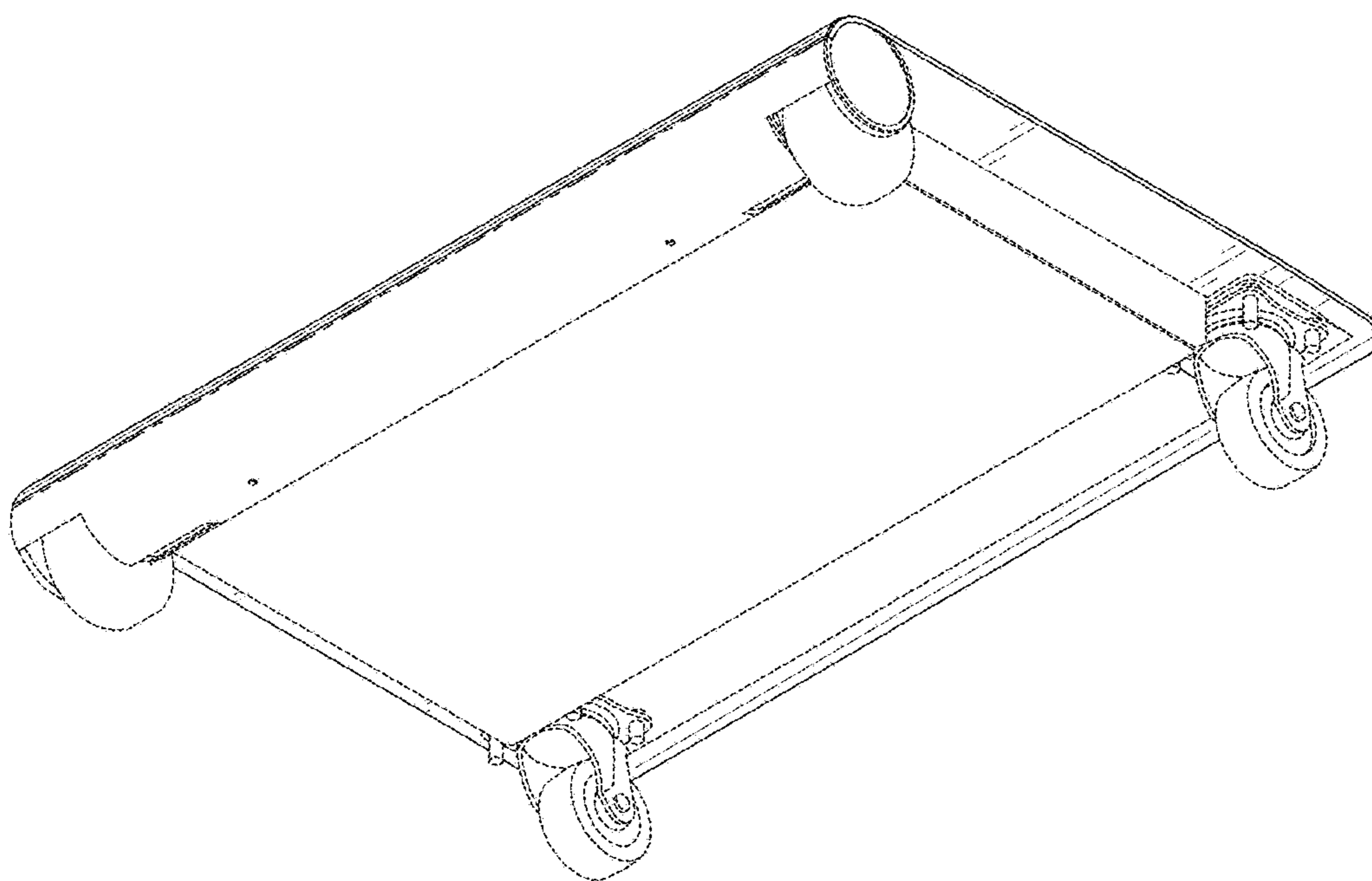


FIG. 8