

US00D834121S

(12) **United States Design Patent** (10) **Patent No.:** **US D834,121 S**
Cameron, Jr. (45) **Date of Patent:** **** *Nov. 20, 2018**

- (54) **GOLF CLUB HEAD**
- (71) Applicant: **Acushnet Company**, Fairhaven, MA (US)
- (72) Inventor: **Don T. Cameron, Jr.**, Carlsbad, CA (US)
- (73) Assignee: **Acushnet Company**, Fairhaven, MA (US)
- (*) Notice: This patent is subject to a terminal disclaimer.
- (**) Term: **15 Years**
- (21) Appl. No.: **29/598,852**
- (22) Filed: **Mar. 29, 2017**
- (51) **LOC (11) Cl.** **21-02**
- (52) **U.S. Cl.**
USPC **D21/759**
- (58) **Field of Classification Search**
USPC D21/733-752, 759
CPC A63B 53/00; A63B 53/04; A63B 53/007;
A63B 53/065; A63B 53/0487; A63B
60/00; A63B 60/46
See application file for complete search history.

- D576,698 S * 9/2008 Cameron D21/759
- D600,763 S * 9/2009 Cameron D21/759
- D661,753 S * 6/2012 Cameron D21/759
- D726,846 S * 4/2015 Schweigert D21/743
- D741,426 S * 10/2015 Schweigert D21/736
- D753,252 S * 4/2016 Schweigert D21/759
- D769,386 S * 10/2016 Schweigert D21/759

OTHER PUBLICATIONS

U.S. Appl. No. 29/598,848, filed Mar. 29, 2017, Don T. Cameron.

* cited by examiner

Primary Examiner — Mitchell I. Siegel

(74) *Attorney, Agent, or Firm* — Randy K. Chang

(57) **CLAIM**

The ornamental design for golf club head, as shown and described.

DESCRIPTION

FIG. 1 is a perspective back view of my new design for a golf club head.
 FIG. 2 is a back view thereof;
 FIG. 3 is a top view thereof;
 FIG. 4 is a bottom sole view thereof;
 FIG. 5 is a front view thereof;
 FIG. 6 is a heel view thereof; and,
 FIG. 7 is a toe view thereof.
 The broken lines showing of the golf club head are for illustrative purposes only and forms no part of the claimed design. The vertical lines inside the circular regions on the rear surface of the back of the golf club head indicate the color red.

(56) **References Cited**

U.S. PATENT DOCUMENTS

- D385,609 S * 10/1997 Cameron D21/742
- D389,207 S * 1/1998 Cameron D21/742

1 Claim, 3 Drawing Sheets

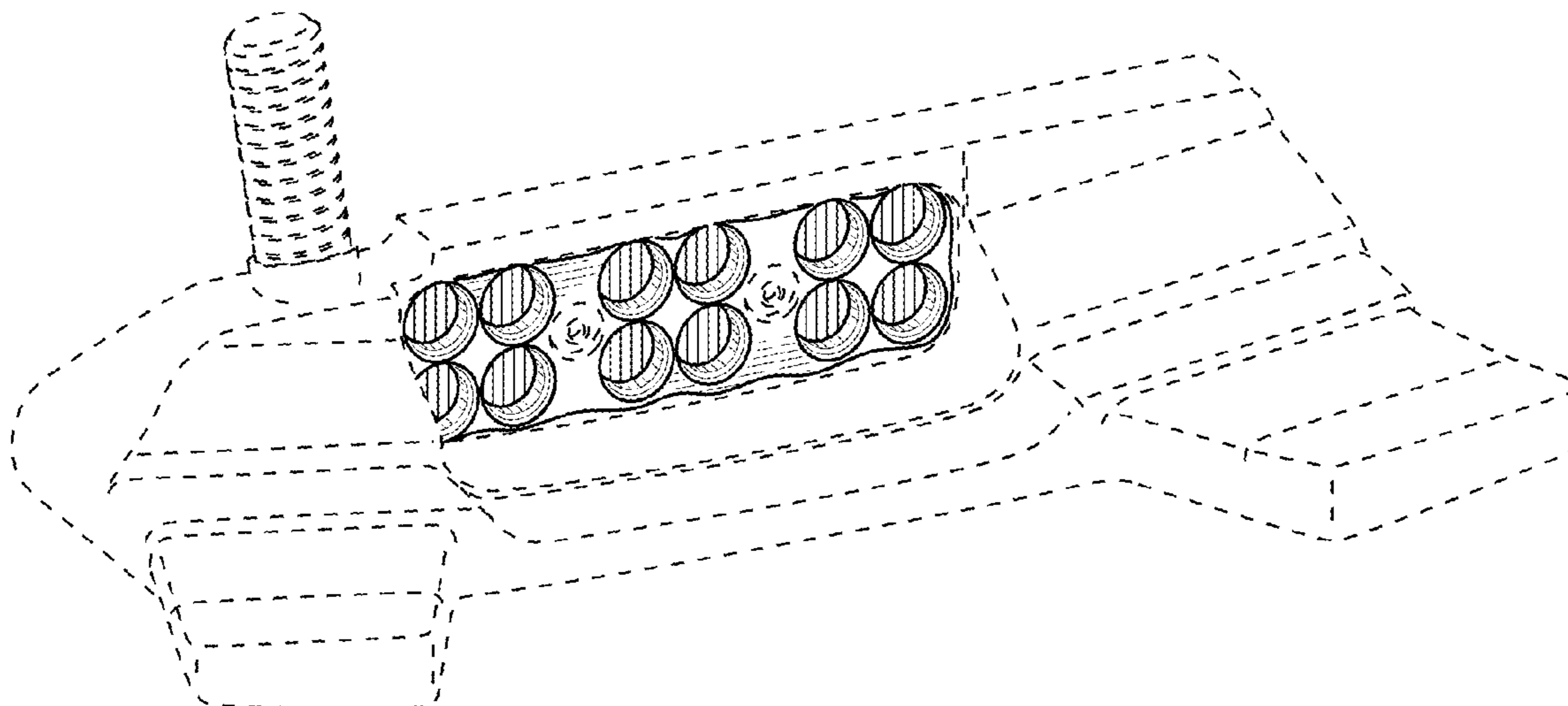


FIG. 1

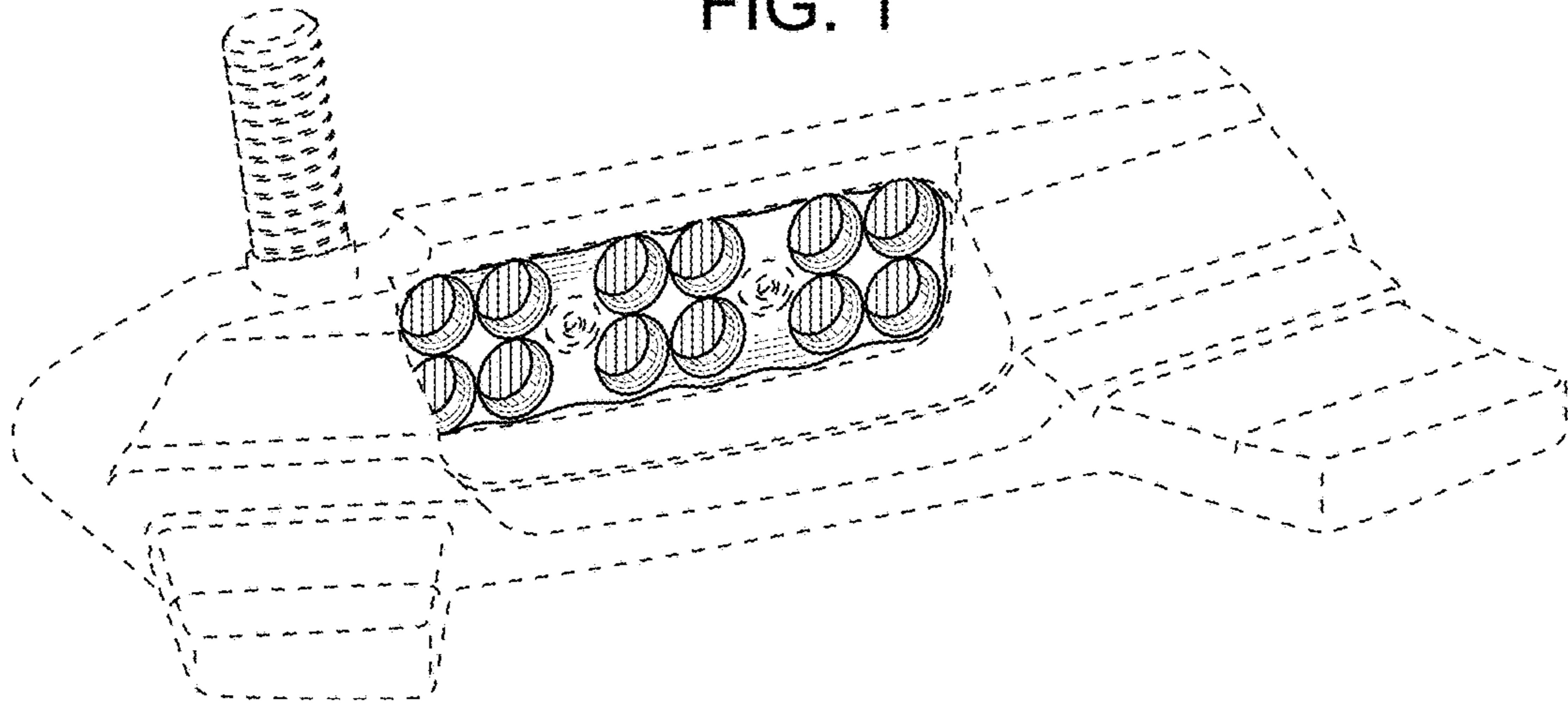


FIG. 2

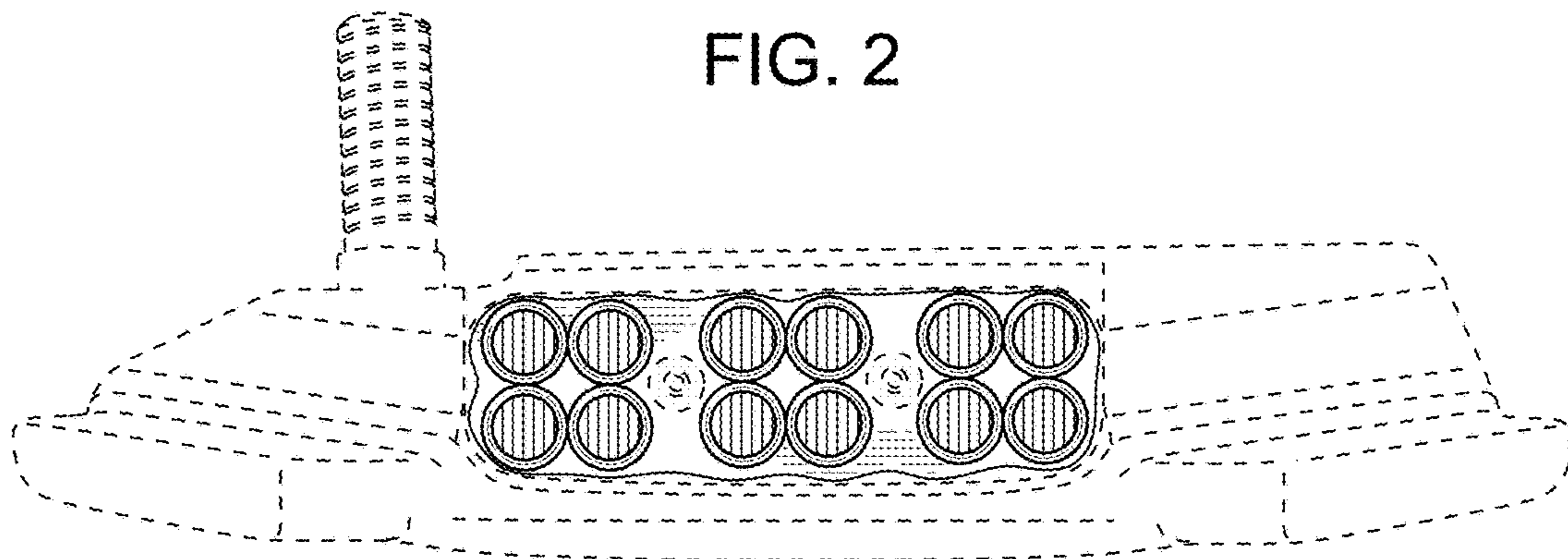


FIG. 3

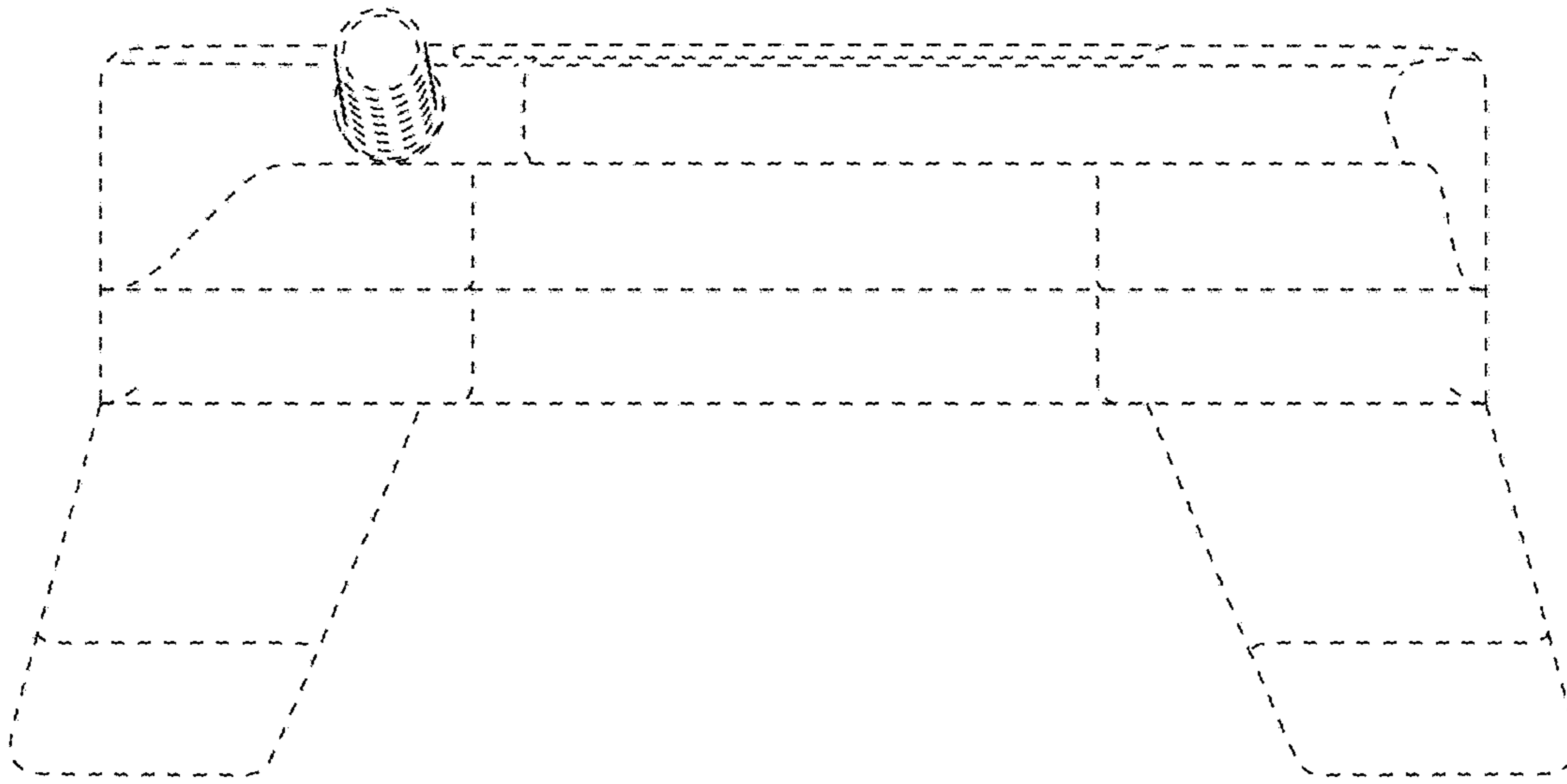


FIG. 4

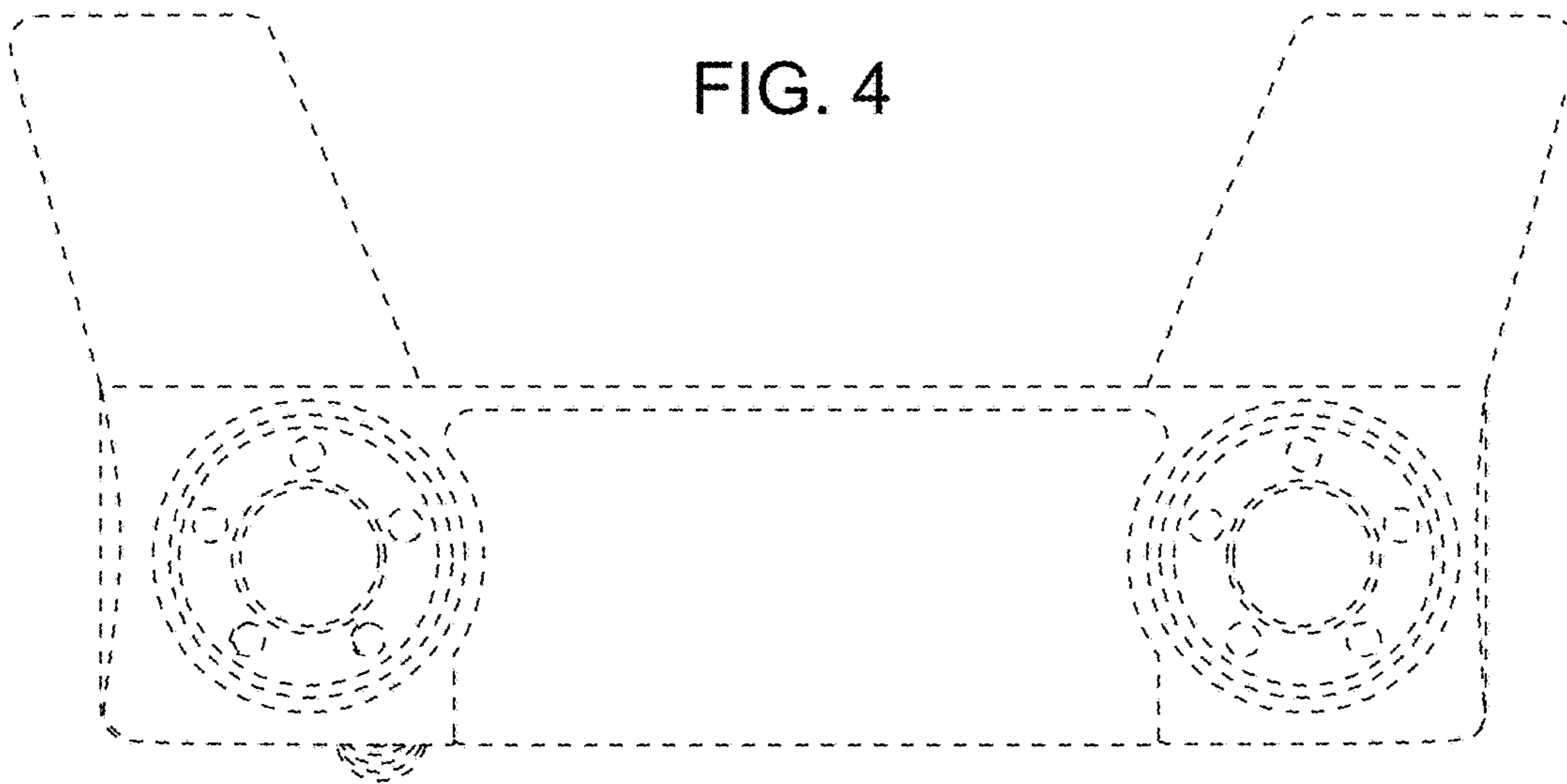


FIG. 5

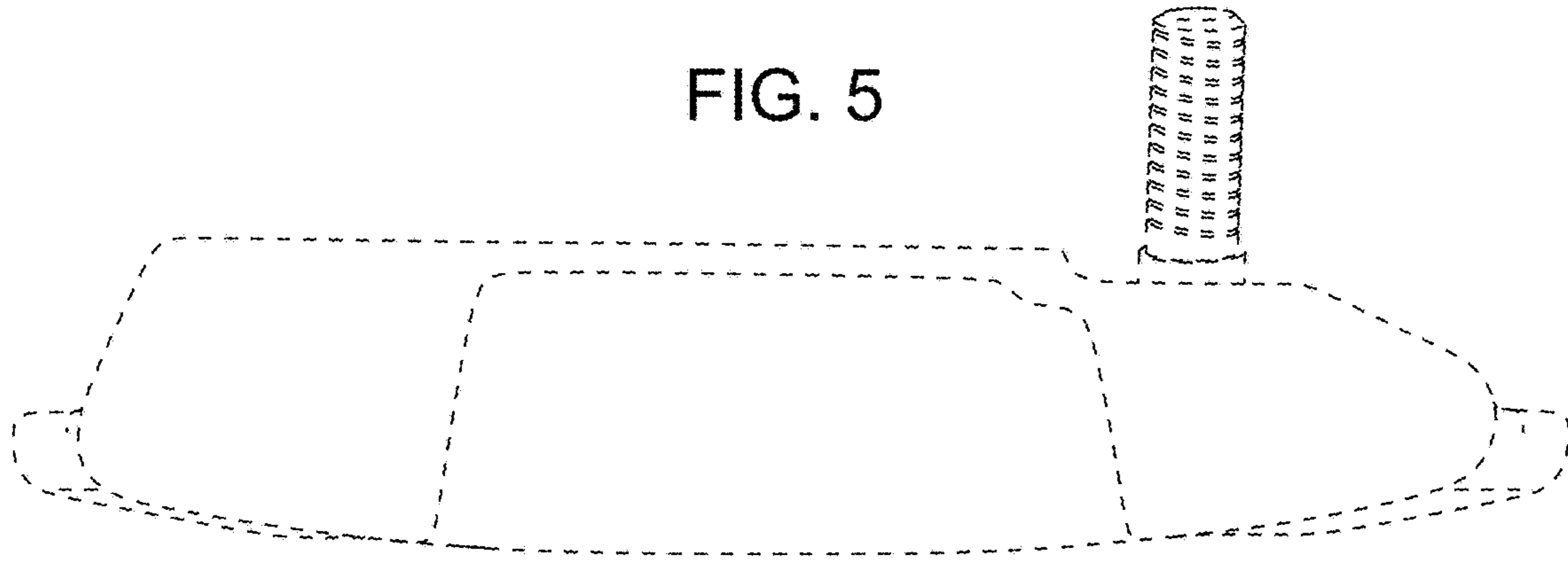


FIG. 6

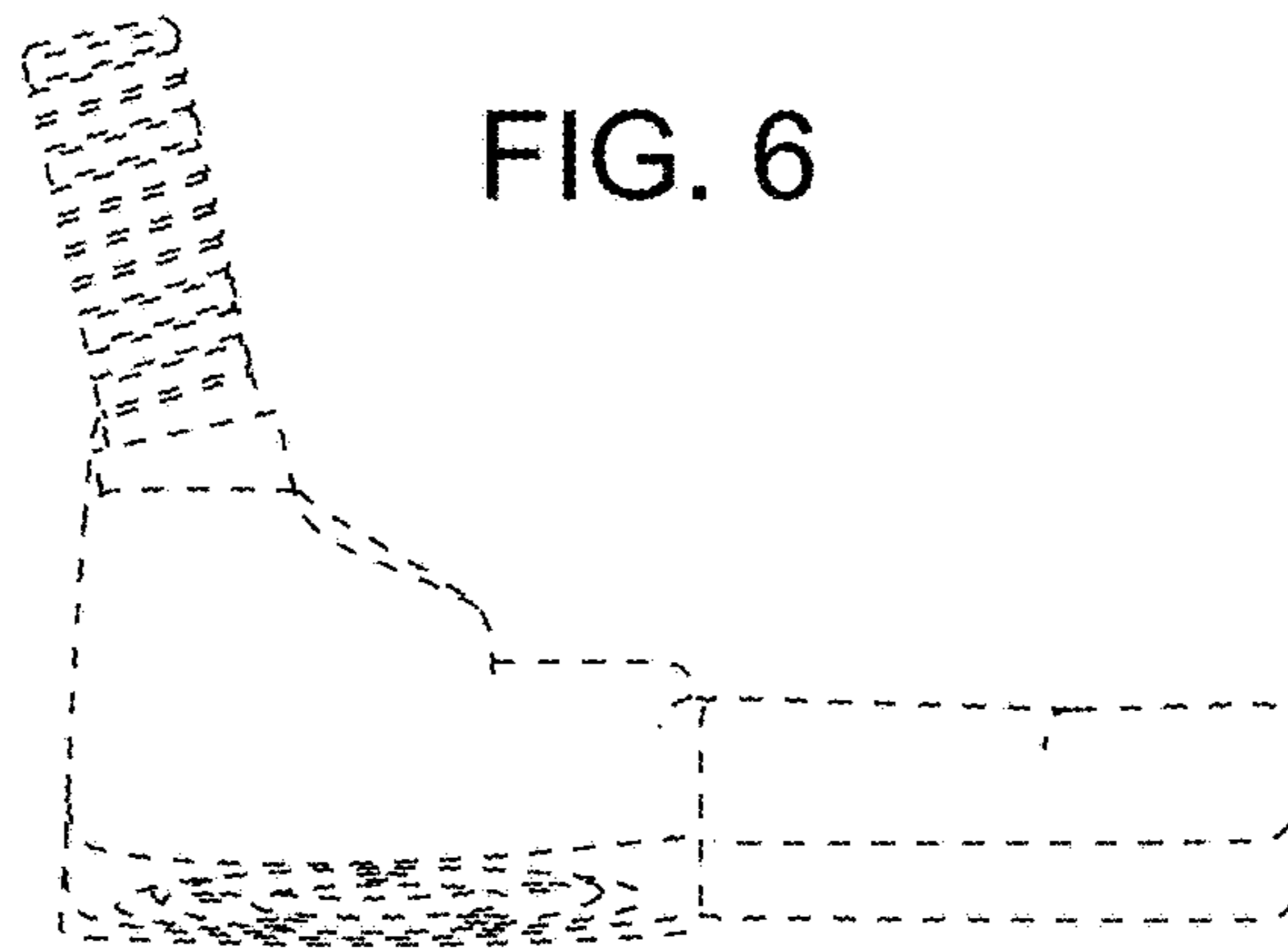


FIG. 7

