



US00D834120S

(12) **United States Design Patent** (10) **Patent No.:** **US D834,120 S**
Cameron (45) **Date of Patent:** **** Nov. 20, 2018**

(54) **GOLF CLUB HEAD**

D726,846 S * 4/2015 Schweigert D21/743
D741,426 S * 10/2015 Schweigert D21/736
D753,252 S * 4/2016 Schweigert D21/759
D769,386 S * 10/2016 Schweigert D21/759

(71) Applicant: **Acushnet Company**, Fairhaven, MA (US)

(72) Inventor: **Don T. Cameron**, Carlsbad, CA (US)

(73) Assignee: **Acushnet Company**, Fairhaven, MA (US)

(**) Term: **15 Years**

(21) Appl. No.: **29/598,848**

(22) Filed: **Mar. 29, 2017**

(51) **LOC (11) Cl.** **21-02**

(52) **U.S. Cl.**
USPC **D21/759**

(58) **Field of Classification Search**
USPC D21/733-752, 759
CPC A63B 53/00; A63B 53/04; A63B 53/007;
A63B 53/065; A63B 53/0487; A63B
60/00; A63B 60/46
See application file for complete search history.

(56) **References Cited**

U.S. PATENT DOCUMENTS

D385,609 S * 10/1997 Cameron D21/742
D389,207 S * 1/1998 Cameron D21/742
D576,698 S * 9/2008 Cameron D21/759
D600,763 S * 9/2009 Cameron D21/759
D661,753 S * 6/2012 Cameron D21/759

OTHER PUBLICATIONS

U.S. Appl. No. 29/598,852, filed Mar. 29, 2017, Don T. Cameron.

* cited by examiner

Primary Examiner — Mitchell I. Siegel

(74) *Attorney, Agent, or Firm* — Randy K. Chang

(57) **CLAIM**

The ornamental design for golf club head, as shown and described.

DESCRIPTION

FIG. 1 is a perspective back view of my new design for a golf club head

FIG. 2 is a back view thereof;

FIG. 3 is a top view thereof;

FIG. 4 is a bottom sole view thereof;

FIG. 5 is a front view thereof;

FIG. 6 is a heel view thereof; and,

FIG. 7 is a toe view thereof.

The broken line showing of a golf club head is included for the purpose of illustrating and form no part of the claimed design. The dash-dot broken lines adjacent to the claimed design define the bounds and forms no part thereof.

1 Claim, 3 Drawing Sheets

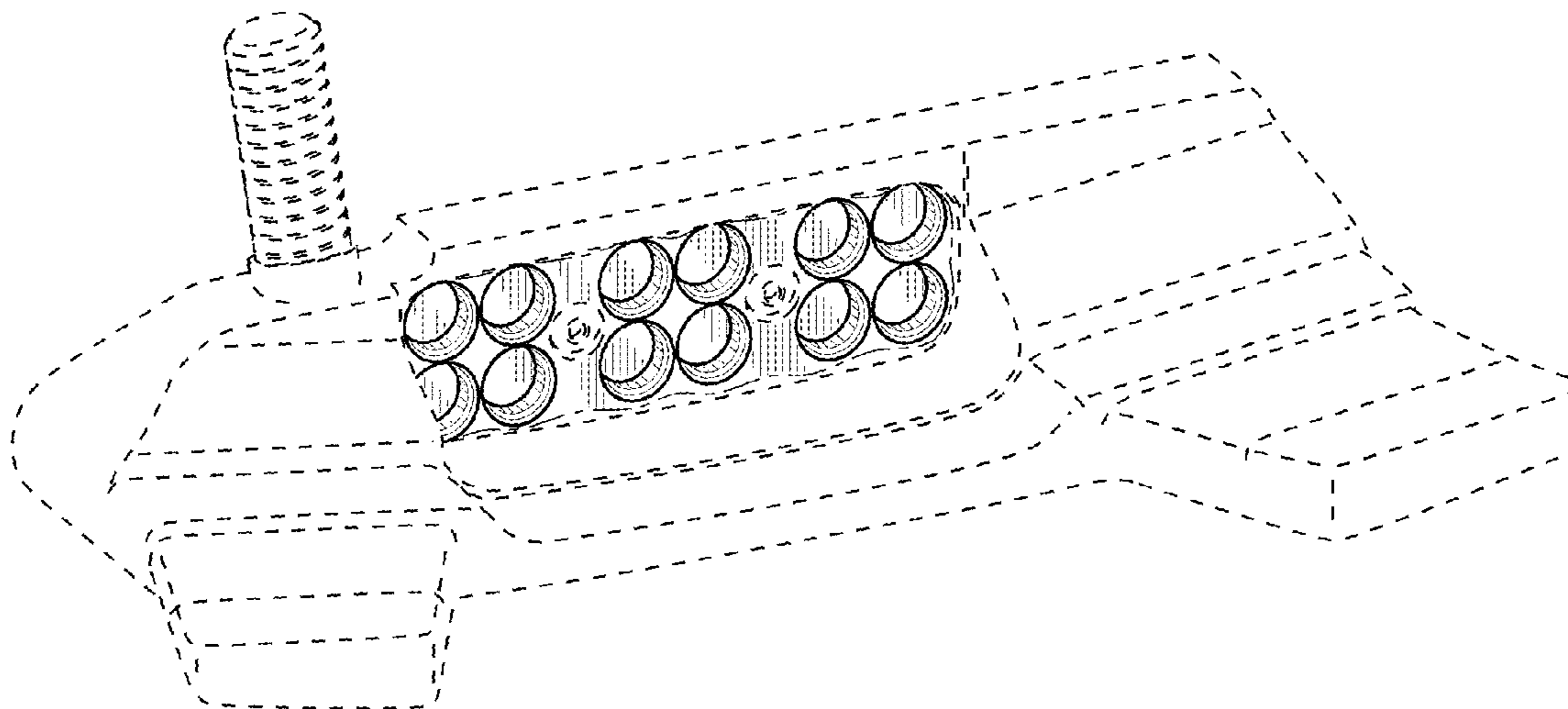


FIG. 1

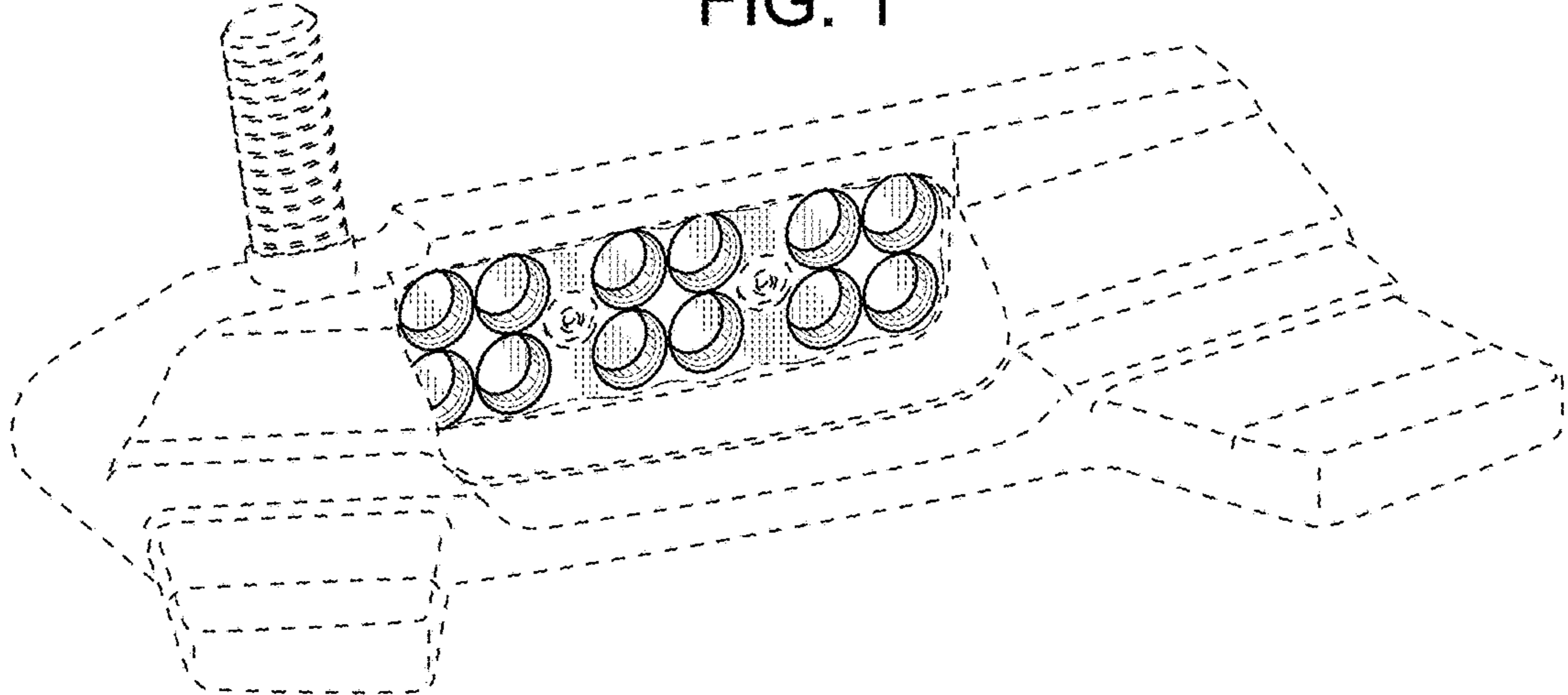


FIG. 2

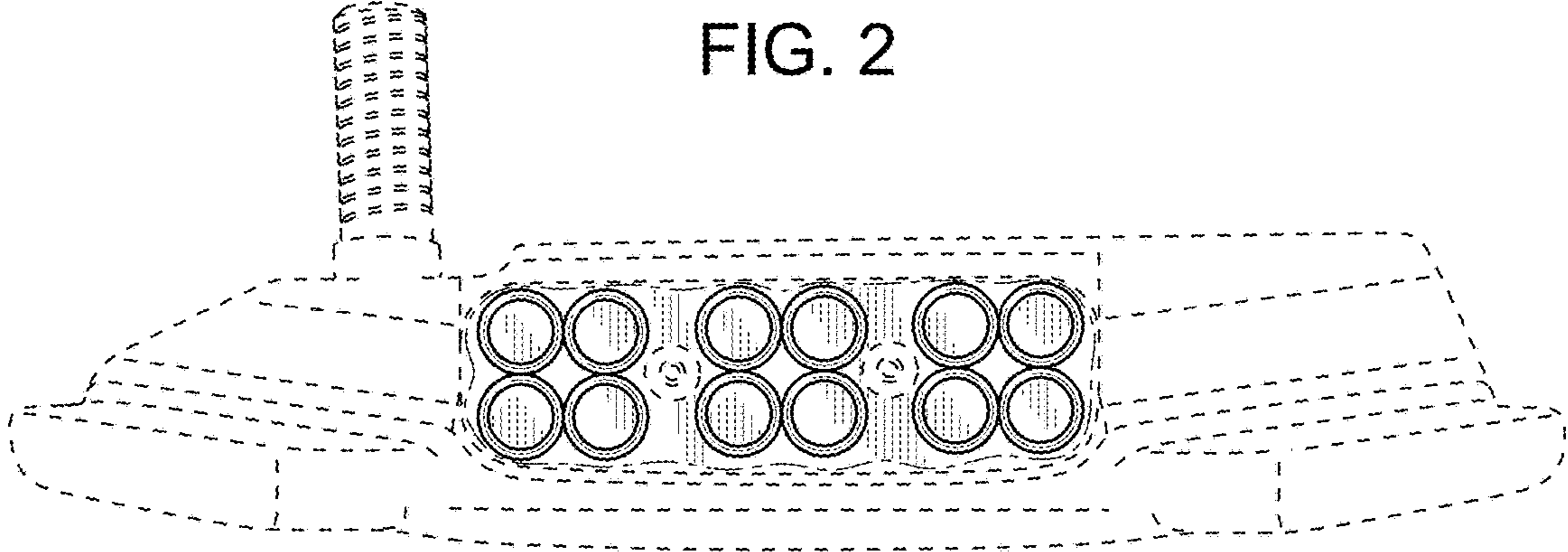


FIG. 3

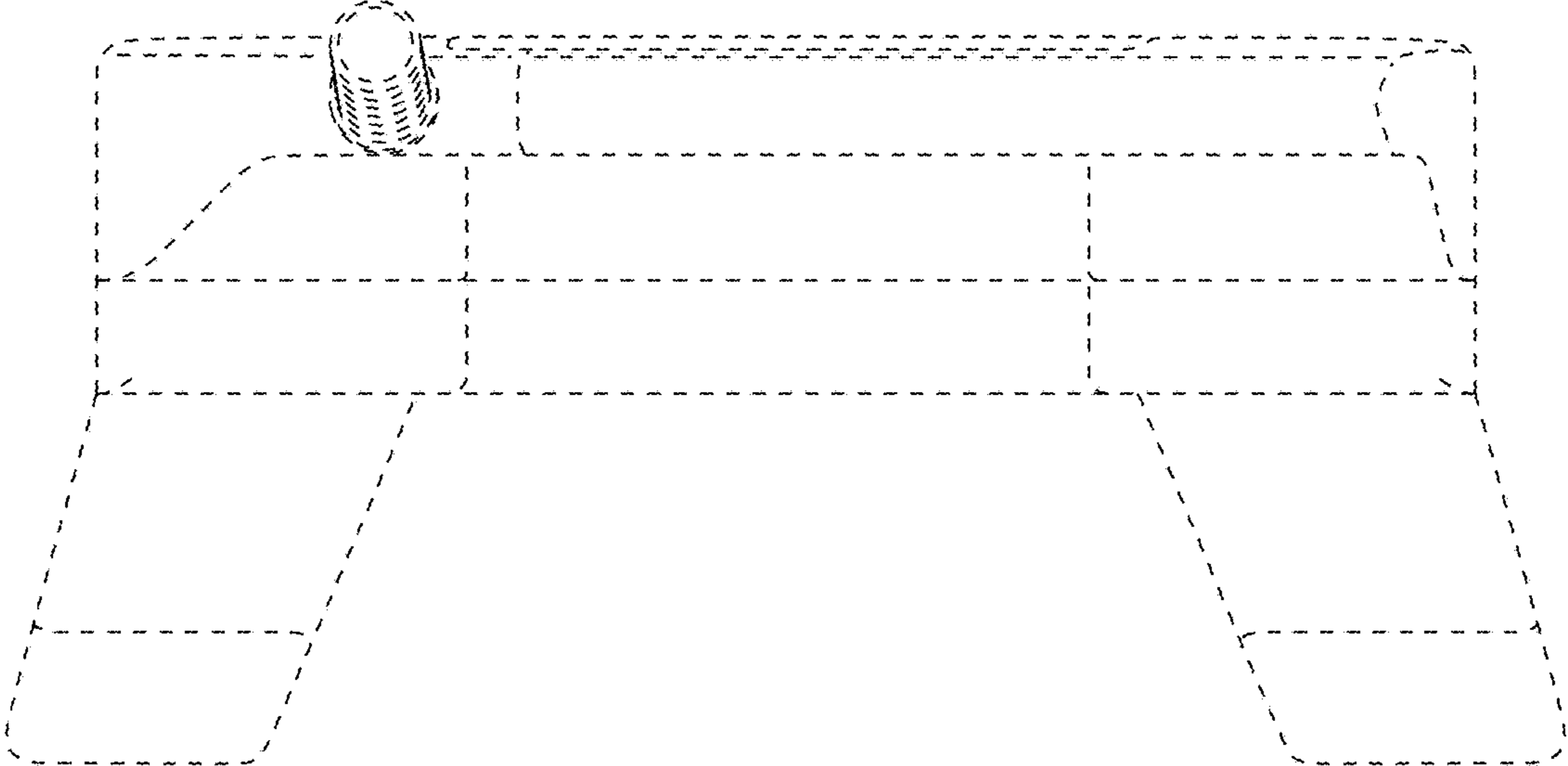


FIG. 4

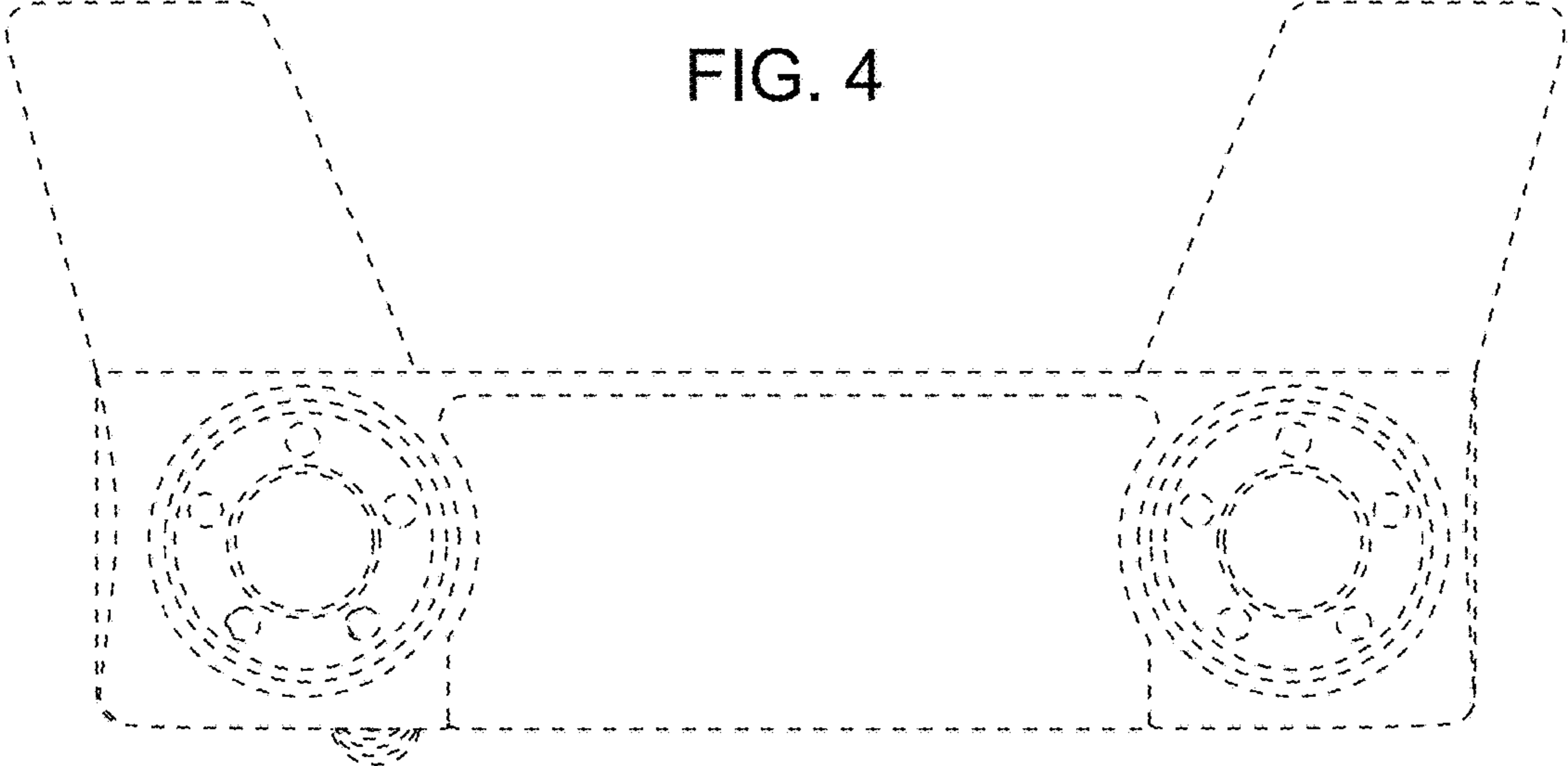


FIG. 5

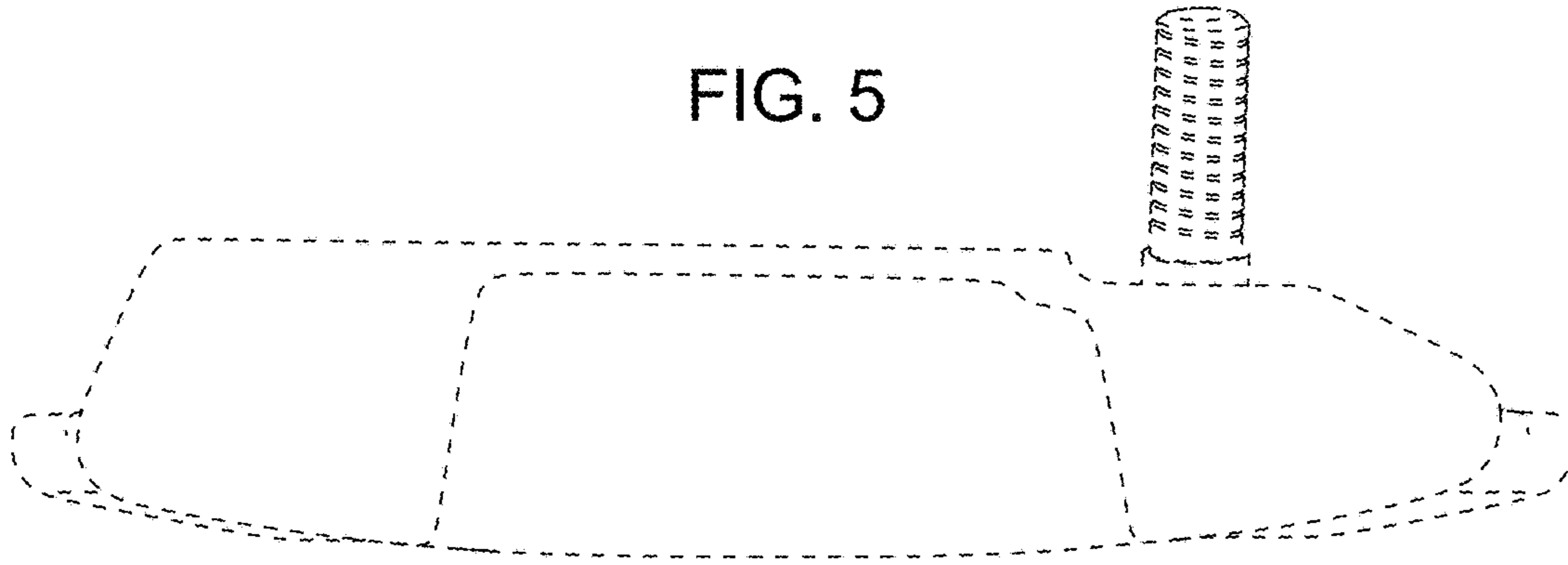


FIG. 6

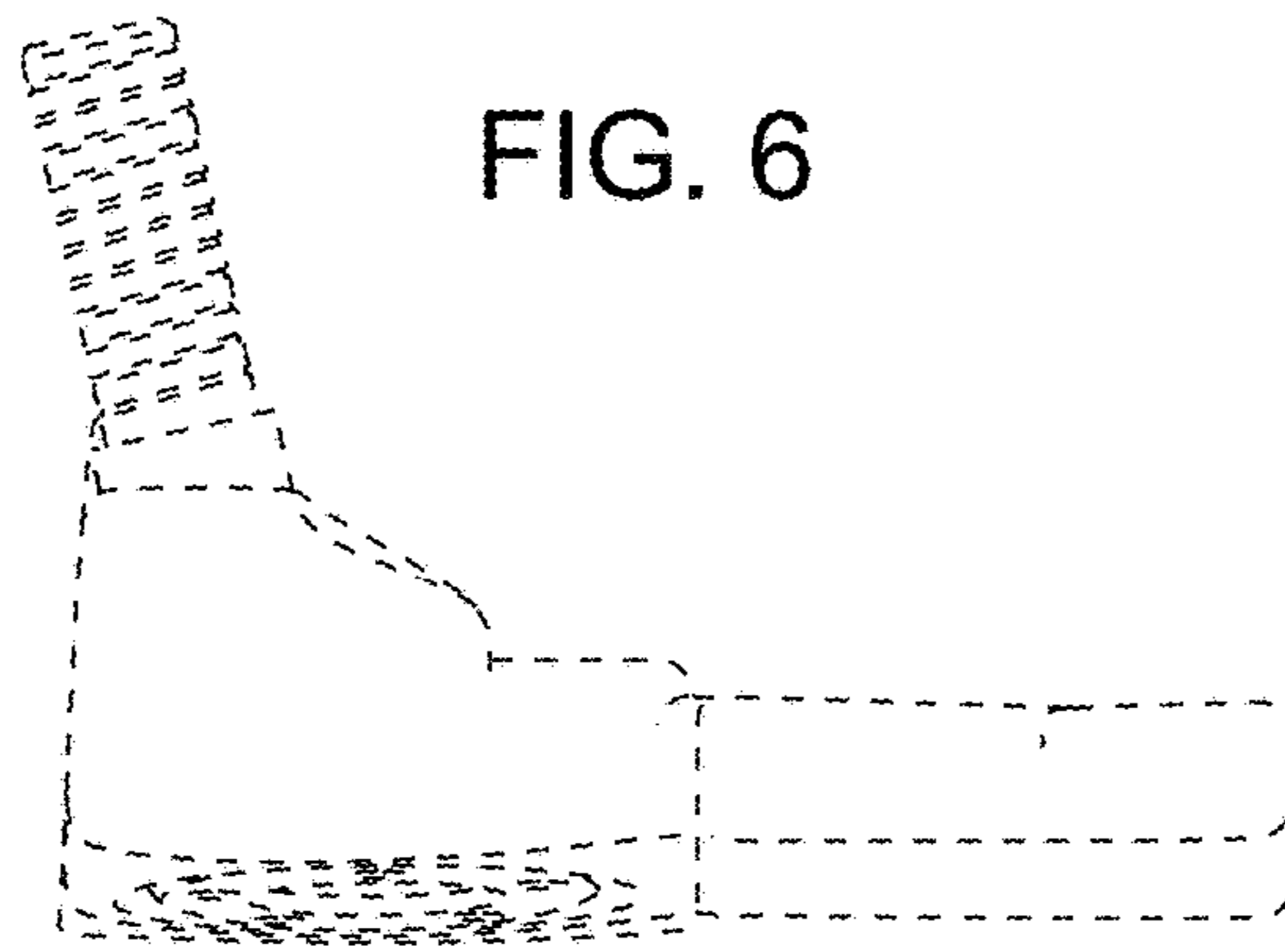


FIG. 7

