



US00D834119S

(12) **United States Design Patent** (10) **Patent No.:** **US D834,119 S**  
**Cameron** (45) **Date of Patent:** **\*\* Nov. 20, 2018**

(54) **HOSEL OF A GOLF CLUB**  
(71) Applicant: **Acushnet Company**, Fairhaven, MA (US)  
(72) Inventor: **Don T. Cameron**, Carlsbad, CA (US)  
(73) Assignee: **Acushnet Company**, Fairhaven, MA (US)  
(\*\*) Term: **15 Years**

6,752,726 B2 \* 6/2004 Burrows ..... A63B 53/02  
473/309  
D495,021 S \* 8/2004 Gray ..... D21/759  
D506,798 S \* 6/2005 Burrows ..... D21/759  
D591,379 S \* 4/2009 De La Cruz ..... D21/759  
D591,815 S \* 5/2009 De La Cruz ..... D21/759  
D635,628 S \* 4/2011 Evans ..... D21/759  
D637,675 S \* 5/2011 Evans ..... D21/759  
D756,476 S \* 5/2016 Rollinson ..... D21/759  
D757,871 S \* 5/2016 Dipert ..... D21/747  
D780,273 S \* 2/2017 Dipert ..... D21/759  
D796,611 S \* 9/2017 Ivanova ..... D21/759

(21) Appl. No.: **29/598,835**  
(22) Filed: **Mar. 29, 2017**  
(51) **LOC (11) Cl.** ..... **21-02**  
(52) **U.S. Cl.**  
USPC ..... **D21/759**  
(58) **Field of Classification Search**  
USPC ..... D21/736-746, 759  
CPC ..... A63B 53/00; A63B 53/04; A63B 53/007;  
A63B 53/065; A63B 53/0487; A63B  
60/00; A63B 60/46  
See application file for complete search history.

**OTHER PUBLICATIONS**

U.S. Appl. No. 29/595,664, filed Mar. 1, 2017, Don T. Cameron.  
U.S. Appl. No. 29/595,675, filed Mar. 1, 2017, Don T. Cameron.

\* cited by examiner

*Primary Examiner* — Mitchell I. Siegel  
(74) *Attorney, Agent, or Firm* — Randy K. Chang

(57) **CLAIM**

The ornamental design for hosel of a golf club, as shown and described.

(56) **References Cited**

**U.S. PATENT DOCUMENTS**

D359,541 S \* 6/1995 Lamanna ..... D21/757  
D378,771 S \* 4/1997 Antonious ..... D21/757  
D381,728 S \* 7/1997 Cameron ..... D21/759  
D388,488 S \* 12/1997 Cameron ..... D21/759  
D401,653 S \* 11/1998 Burrows ..... D21/753  
D401,654 S \* 11/1998 Burrows ..... D21/753  
D401,655 S \* 11/1998 Burrows ..... D21/753  
D401,656 S \* 11/1998 Burrows ..... D21/753  
D409,701 S \* 5/1999 Ashcraft ..... D21/743  
D410,982 S \* 6/1999 Solheim ..... D21/759  
D436,151 S \* 1/2001 Nicolette ..... D21/759  
D443,668 S \* 6/2001 Nicolette ..... D21/759  
D464,695 S \* 10/2002 Long ..... D21/759  
D478,951 S \* 8/2003 Burrows ..... D21/759

**DESCRIPTION**

FIG. 1 is a perspective top view of my new design for hosel of a golf club;  
FIG. 2 is a top view thereof;  
FIG. 3 is a front view thereof;  
FIG. 4 is a back view thereof;  
FIG. 5 is a bottom sole view thereof;  
FIG. 6 is a toe view thereof; and,  
FIG. 7 is a heel view thereof.  
The broken lines representing the golf club head and unclaimed portions of the hosel is for the purpose of illustrating and form no part of the claimed design.

**1 Claim, 4 Drawing Sheets**

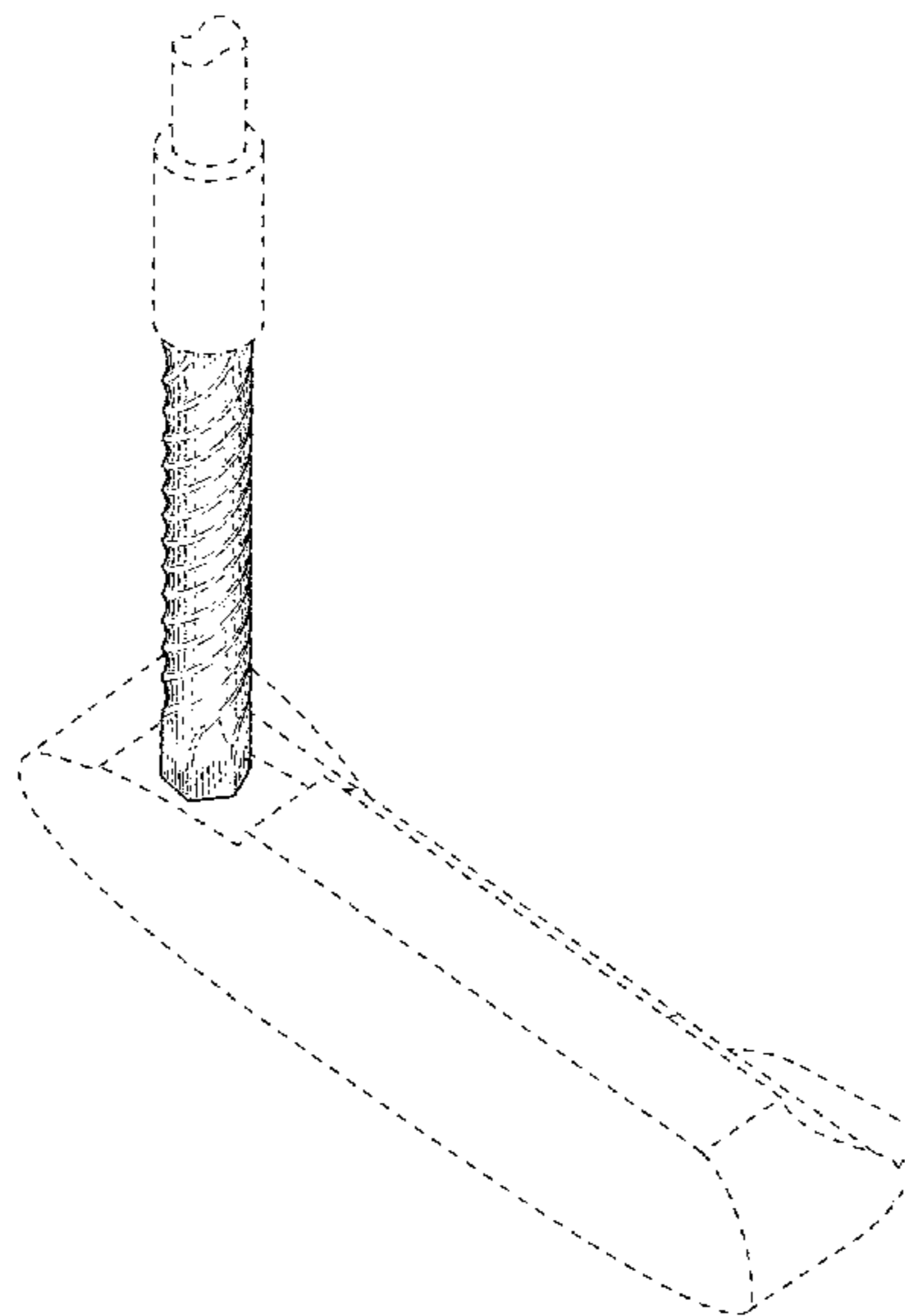


FIG. 1

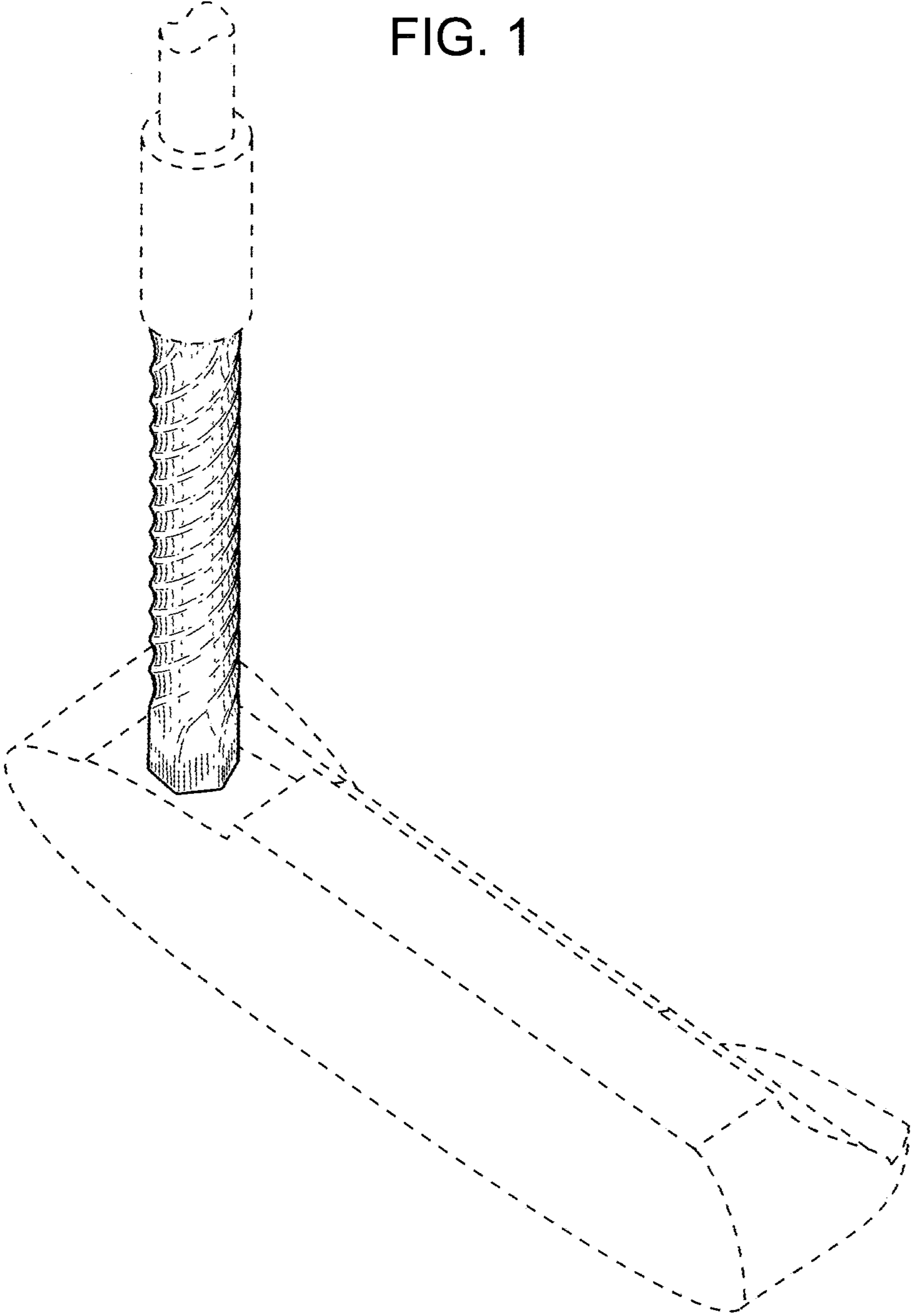


FIG. 2

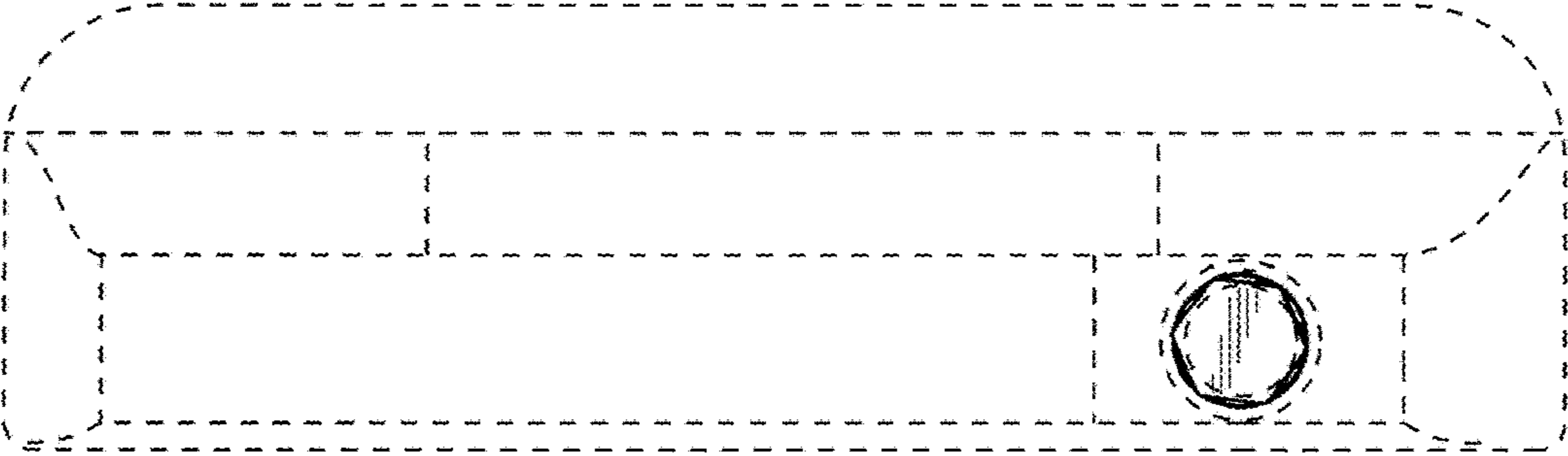
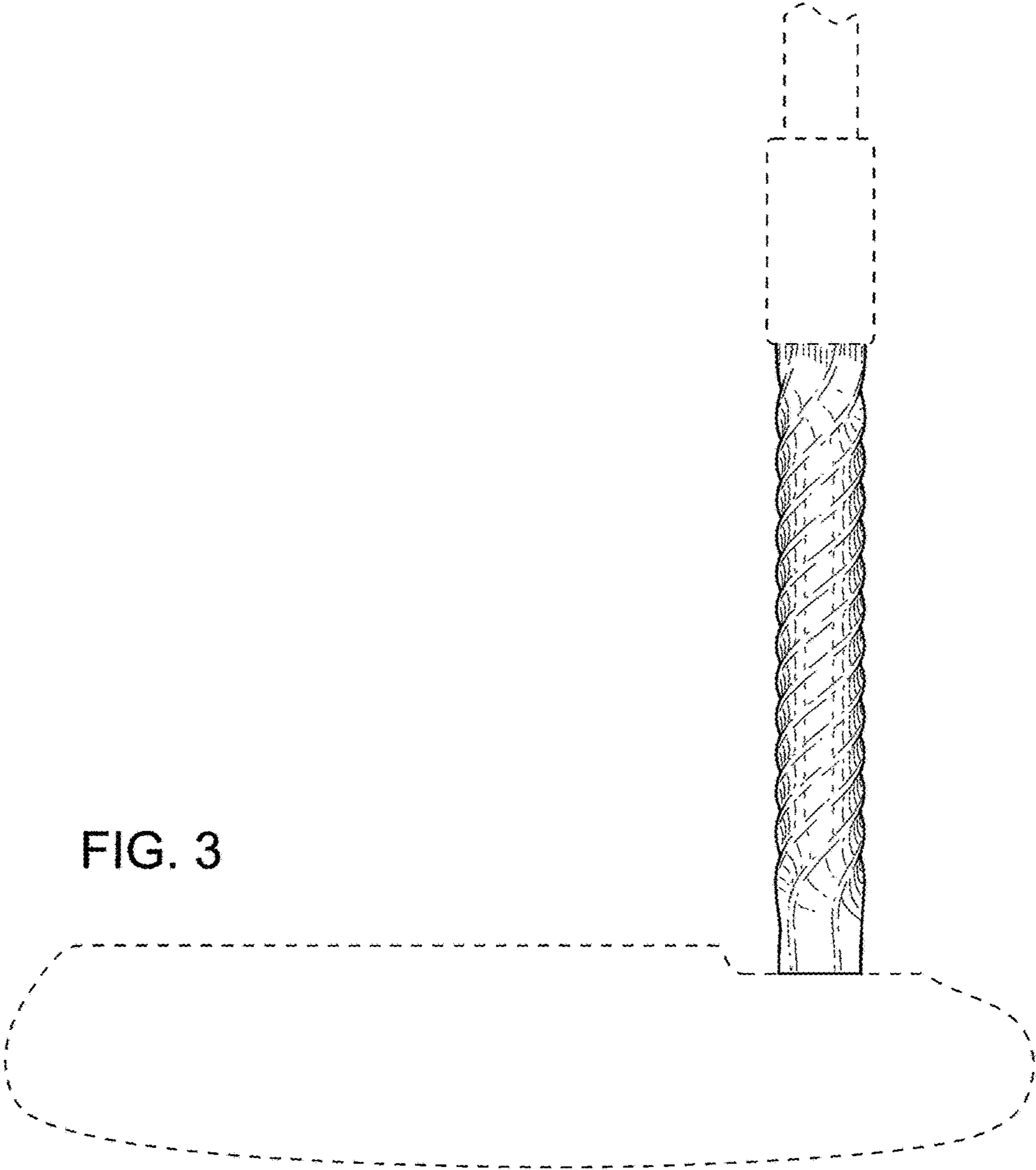


FIG. 3



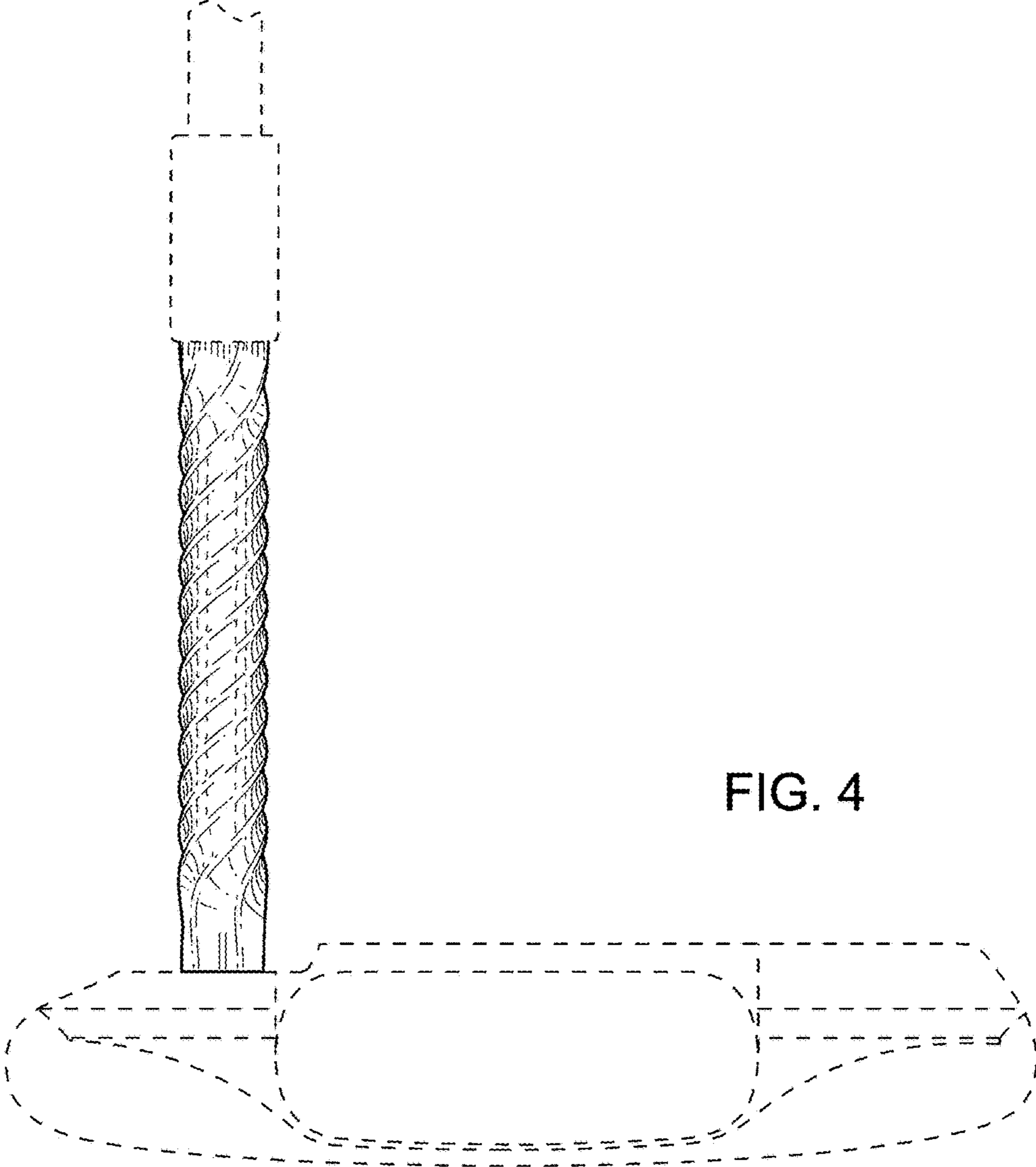


FIG. 4

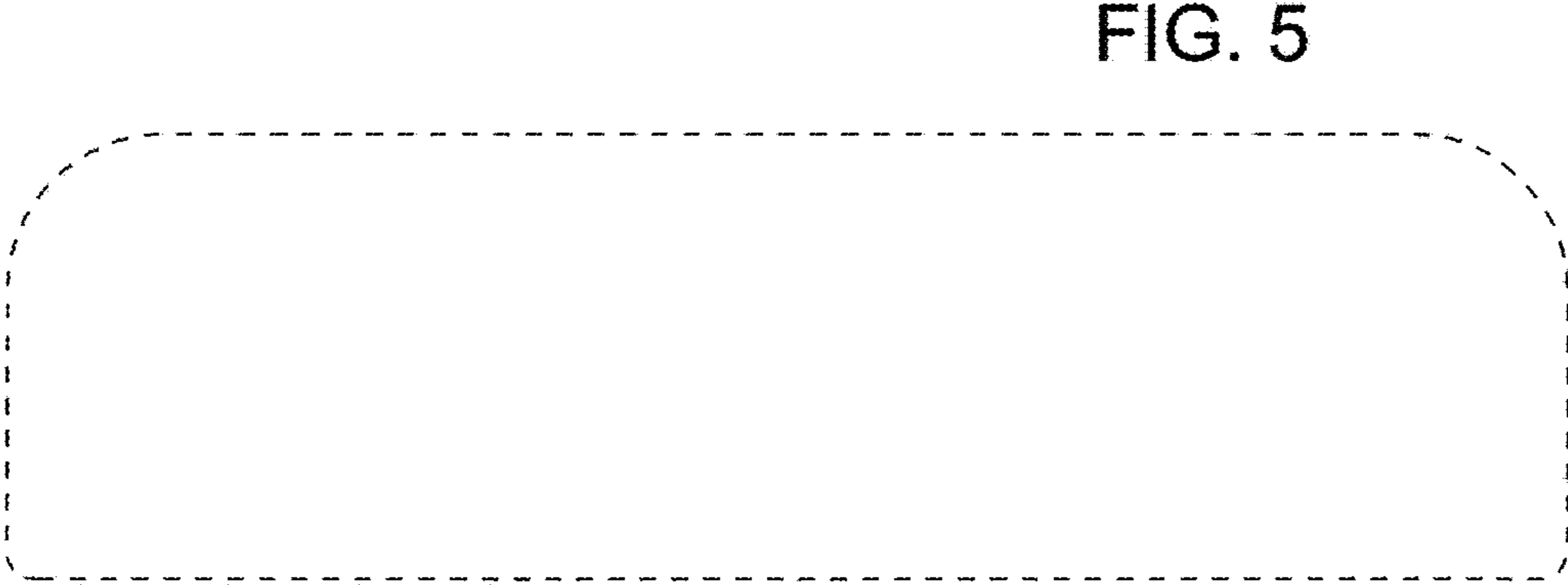


FIG. 5

FIG. 6

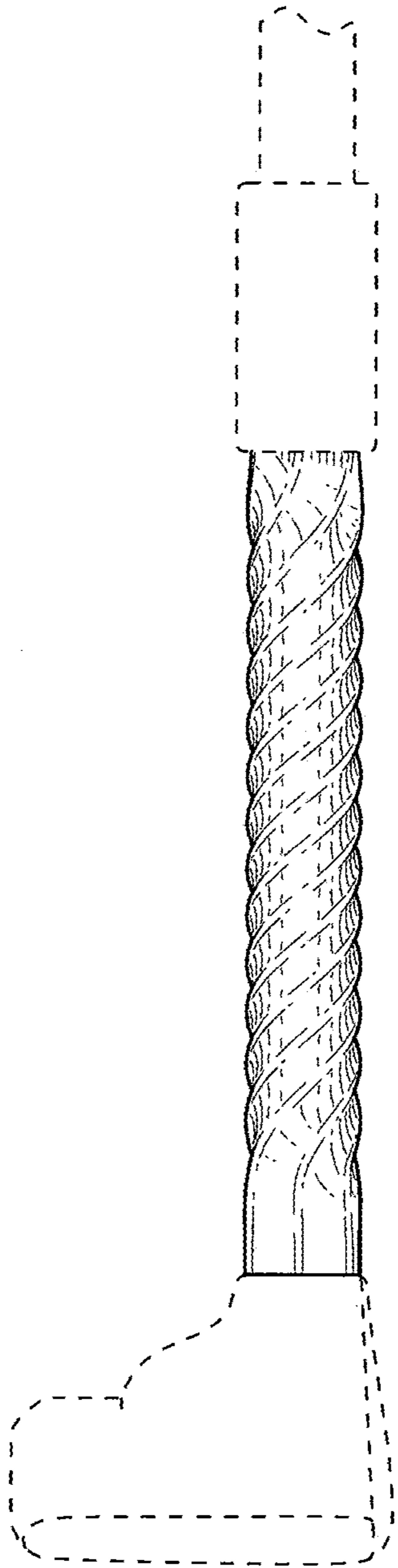


FIG. 7

