



US00D834115S

(12) **United States Design Patent** (10) **Patent No.:** **US D834,115 S**
Gilbert (45) **Date of Patent:** **** Nov. 20, 2018**

(54) **FITNESS WEIGHT SET**
(71) Applicant: **Herman Gilbert**, Hammond, WI (US)
(72) Inventor: **Herman Gilbert**, Hammond, WI (US)
(**) Term: **15 Years**
(21) Appl. No.: **29/548,796**
(22) Filed: **Dec. 16, 2015**
(51) **LOC (11) Cl.** **21-02**
(52) **U.S. Cl.**
USPC **D21/679**
(58) **Field of Classification Search**
USPC D21/662, 663, 666, 667, 668, 673, 684,
D21/670, 679, 697, 669; D8/303, 376,
D8/54; D10/119.2; D11/5; 211/123
CPC A47H 1/022; A47H 1/02; A47K 3/38
See application file for complete search history.

(56) **References Cited**

U.S. PATENT DOCUMENTS

3,156,977 A * 11/1964 Logan B21C 37/15
211/105.2
D263,327 S * 3/1982 Cooper D21/679
D264,738 S * 6/1982 Cooper D21/679
D267,261 S * 12/1982 Pataluch D21/679
D269,850 S * 7/1983 Preisler D8/303
D274,829 S * 7/1984 Bankier D21/679
D281,446 S * 11/1985 Keilman D21/679
4,679,788 A * 7/1987 Adler A63B 21/0615
482/108
D303,414 S * 9/1989 Armstrong D21/669
D324,894 S * 3/1992 Porcello D21/679
D331,872 S * 12/1992 Maruko D8/376
D333,330 S * 2/1993 Clem D21/669
5,203,753 A * 4/1993 Rothhammer A63B 21/072
411/55

(Continued)

Primary Examiner — Barbara Fox
Assistant Examiner — Mehri F Bajoul

(74) *Attorney, Agent, or Firm* — Skinner and Associates;
Joel Skinner

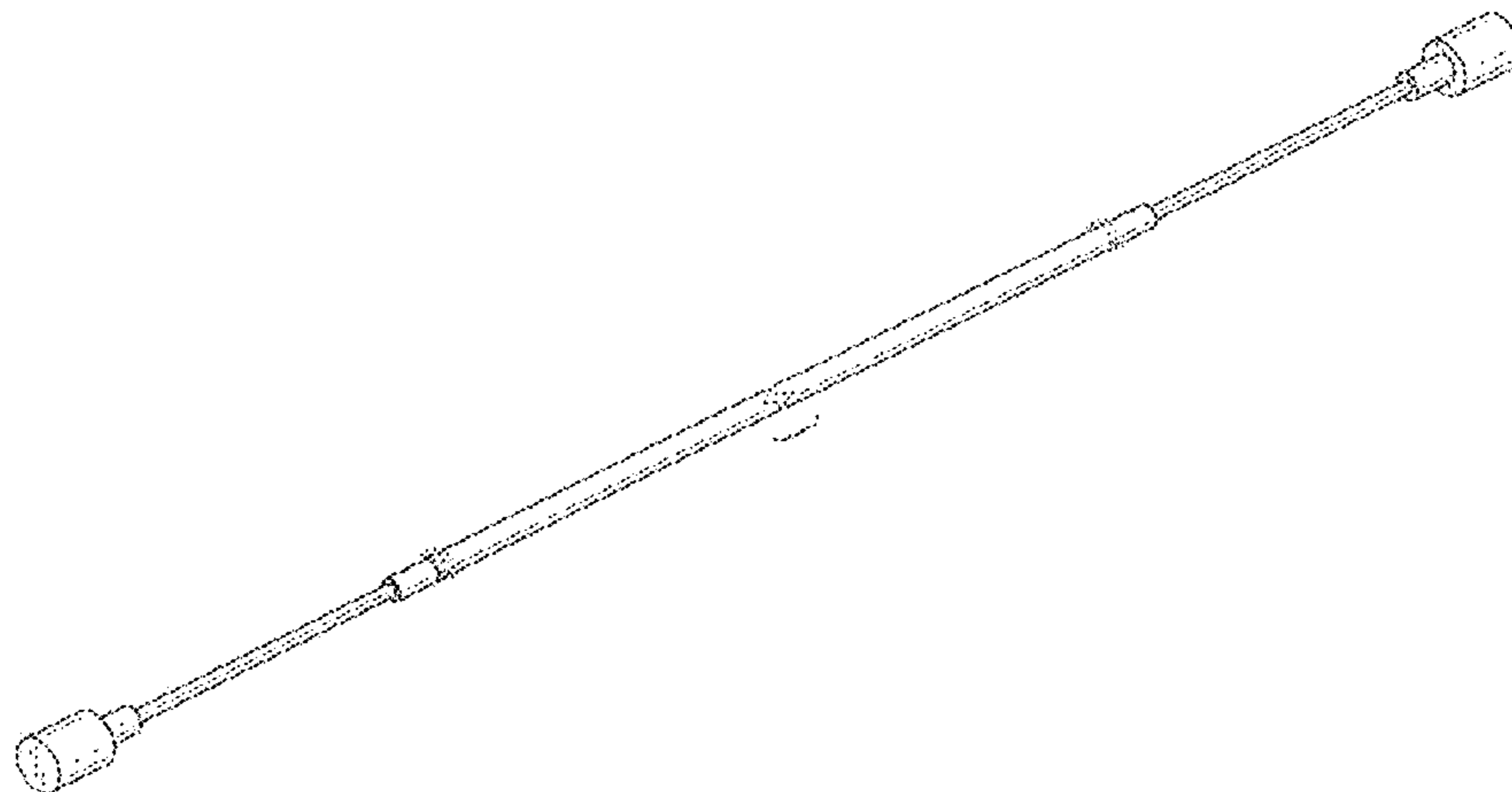
(57) **CLAIM**

The ornamental design for a fitness weight set, as shown and described.

DESCRIPTION

FIG. 1 is a perspective view of a fitness weight set showing the new design in a first embodiment.
FIG. 2 is a front view thereof.
FIG. 3 is a rear view thereof.
FIG. 4 is a left side view thereof, the right side being a mirror image.
FIG. 5 is a top view thereof.
FIG. 6 is a bottom view thereof.
FIG. 7 is a perspective view of the fitness weight set showing the new design in a second embodiment.
FIG. 8 is a front view thereof.
FIG. 9 is a rear view thereof.
FIG. 10 is a left side view thereof, the right side being a mirror image.
FIG. 11 is a top view thereof.
FIG. 12 is a bottom view thereof.
FIG. 13 is a perspective view of the fitness weight set showing the new design in a third embodiment.
FIG. 14 is a front view thereof.
FIG. 15 is a rear view thereof.
FIG. 16 is a left side view thereof, the right side being a mirror image.
FIG. 17 is a top plan view thereof; and,
FIG. 18 is a bottom plan view thereof.
The broken away symbols in the drawings indicate that the appearance of any portion of the fitness weight set between the break lines forms no part of the claim design.
The broken lines shown in the drawings depict portions of the fitness weight set that form no part of the claimed design.

1 Claim, 9 Drawing Sheets



(56)

References Cited

U.S. PATENT DOCUMENTS

D343,875 S * 2/1994 Webster D21/679
 D369,627 S * 5/1996 Thor D10/119.2
 D377,202 S * 1/1997 Rohan D21/679
 5,662,561 A * 9/1997 McNamara A63B 5/20
 482/82
 D385,604 S * 10/1997 Moore D21/679
 D388,848 S * 1/1998 Sontz D21/679
 D389,038 S * 1/1998 Rosul D8/376
 D390,299 S * 2/1998 Terry D11/5
 5,820,531 A * 10/1998 Choi A63B 21/072
 482/110
 5,842,957 A * 12/1998 Wheeler A63B 21/0602
 482/106
 D407,770 S * 4/1999 Thomas D21/679
 D412,657 S * 8/1999 Gray D8/354
 D413,366 S * 8/1999 Husted D21/668
 D428,946 S * 8/2000 Boorstein D21/679
 6,132,345 A * 10/2000 Beierschmitt A63B 21/072
 362/84
 D442,073 S * 5/2001 Lyndon D6/323
 6,228,002 B1 * 5/2001 Dantolan A63B 15/00
 482/109
 D490,294 S * 5/2004 Dayan D8/354
 D495,015 S * 8/2004 Tudico D21/662
 D496,699 S * 9/2004 Dobson D21/669
 D501,031 S * 1/2005 Lecce D19/174
 D517,135 S * 3/2006 Klein D21/679
 D520,576 S * 5/2006 Sonnon D21/662
 D538,358 S * 3/2007 Glier D21/662

D556,841 S * 12/2007 Oates D21/662
 D561,274 S * 2/2008 Turner D21/679
 D570,930 S * 6/2008 VanElverdinghe D21/671
 D583,883 S * 12/2008 Thomas D21/679
 D624,611 S * 9/2010 Torres Martin D21/662
 D633,155 S * 2/2011 Brun D21/679
 D634,375 S * 3/2011 Usrey D21/662
 D635,202 S * 3/2011 Chang D21/662
 D640,335 S * 6/2011 Aboody D21/662
 D640,336 S * 6/2011 Aboody D21/662
 D650,289 S * 12/2011 Bosiljevac D21/681
 D655,356 S * 3/2012 Sandman D21/679
 8,172,734 B2 * 5/2012 Anderson A63B 21/072
 482/107
 D694,348 S * 11/2013 Rankin D21/679
 D695,368 S * 12/2013 Blattmann D21/662
 D695,856 S * 12/2013 Jacobs D21/668
 D712,987 S * 9/2014 Salzedo D21/662
 D733,226 S * 6/2015 Abbate D21/679
 9,126,079 B2 * 9/2015 Jordan A63B 21/072
 D751,156 S * 3/2016 Tasca D21/669
 D753,245 S * 4/2016 Oblamski A63B 21/0053
 D21/669
 D757,190 S * 5/2016 Prenatt D21/680
 2007/0032353 A1 * 2/2007 Wilkins A63B 5/00
 482/54
 2009/0023563 A1 * 1/2009 Liang A63B 71/0036
 482/106
 2014/0259368 A1 * 9/2014 Parker A47K 3/38
 4/610
 2015/0335945 A1 * 11/2015 Brontman A63B 22/0023
 482/6

* cited by examiner

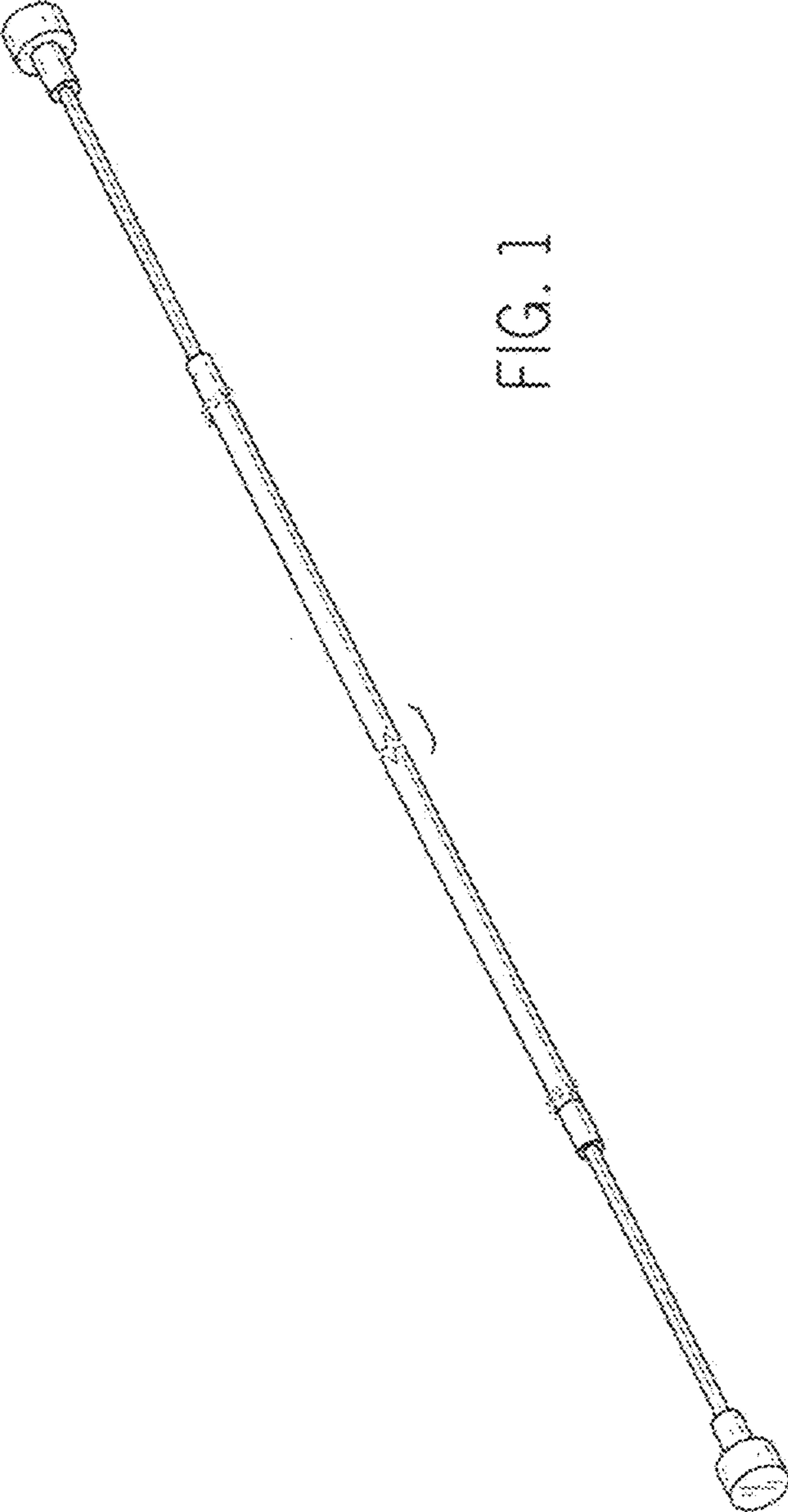


FIG. 1

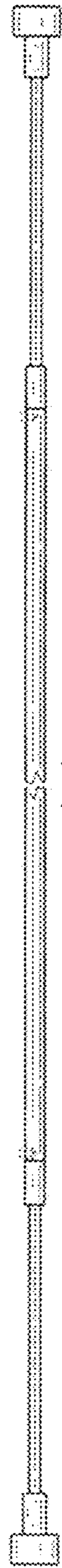


FIG. 2

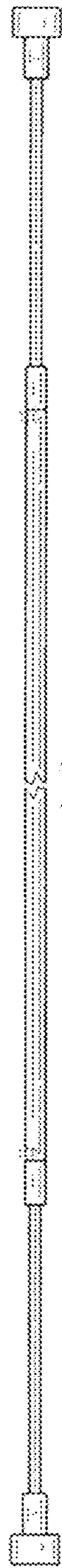


FIG. 3



FIG. 4

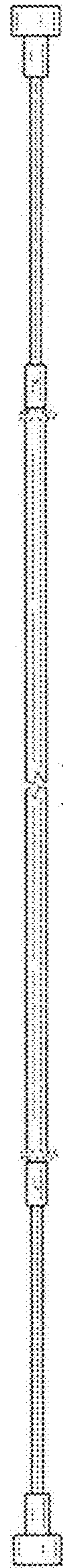


FIG. 5

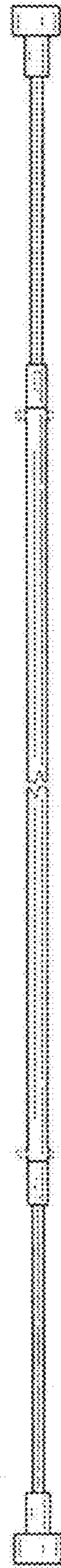
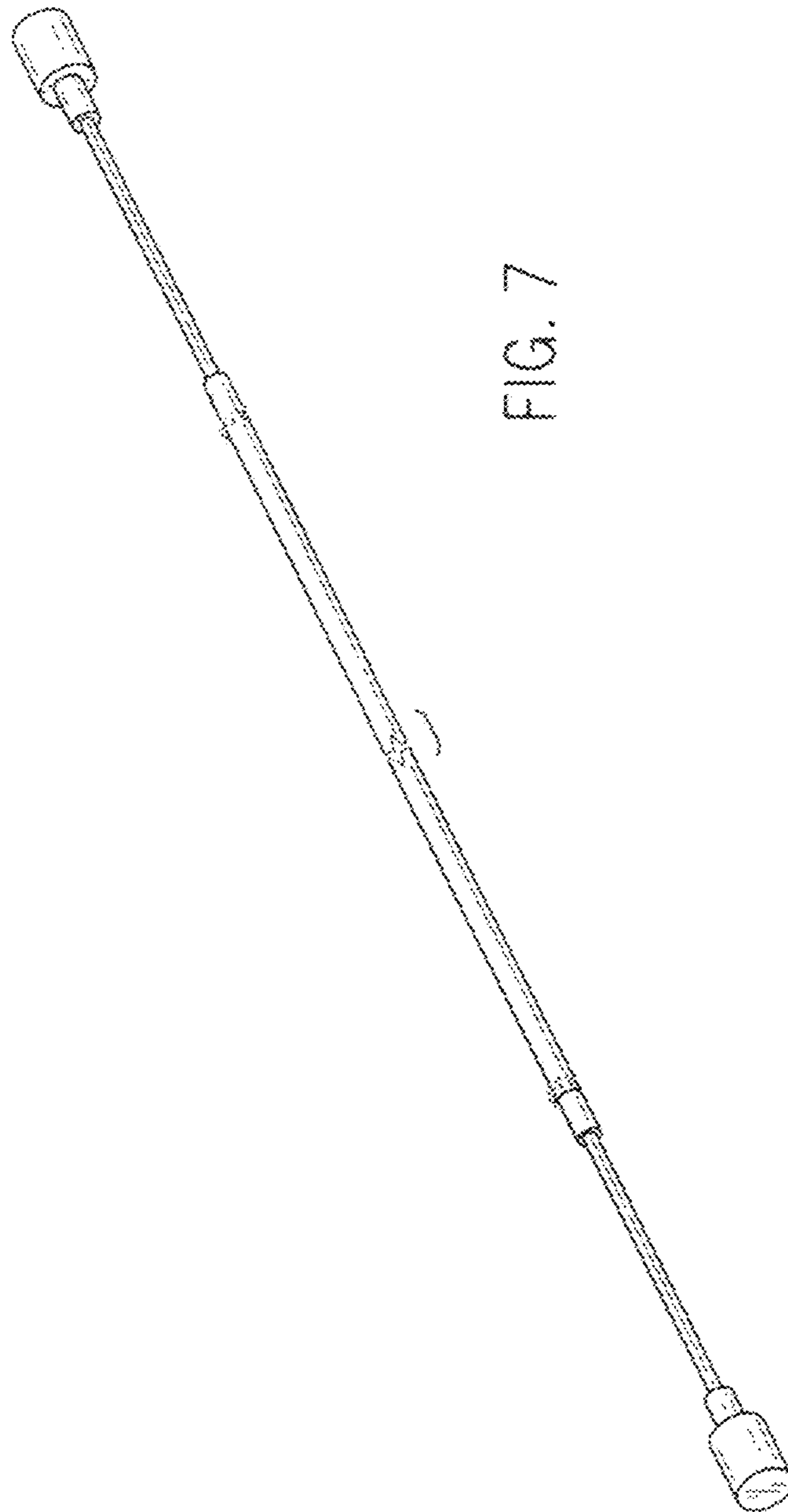


FIG. 6



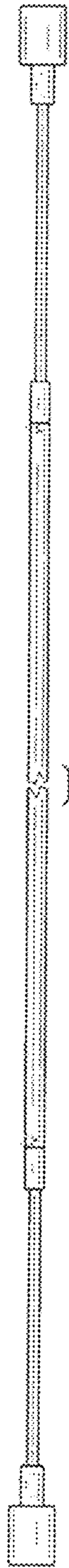


FIG. 8

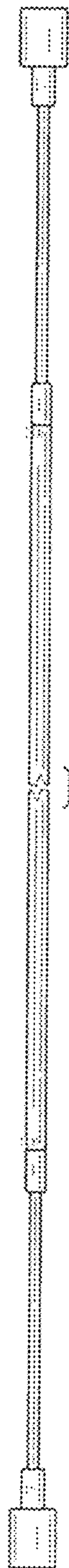


FIG. 9



FIG. 10

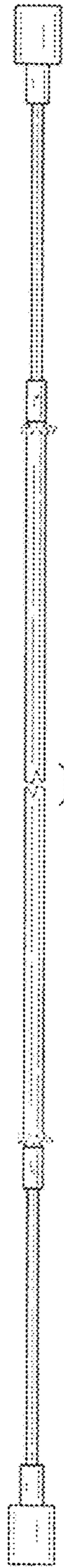


FIG. 11

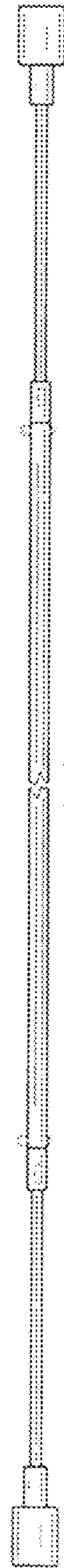


FIG. 12

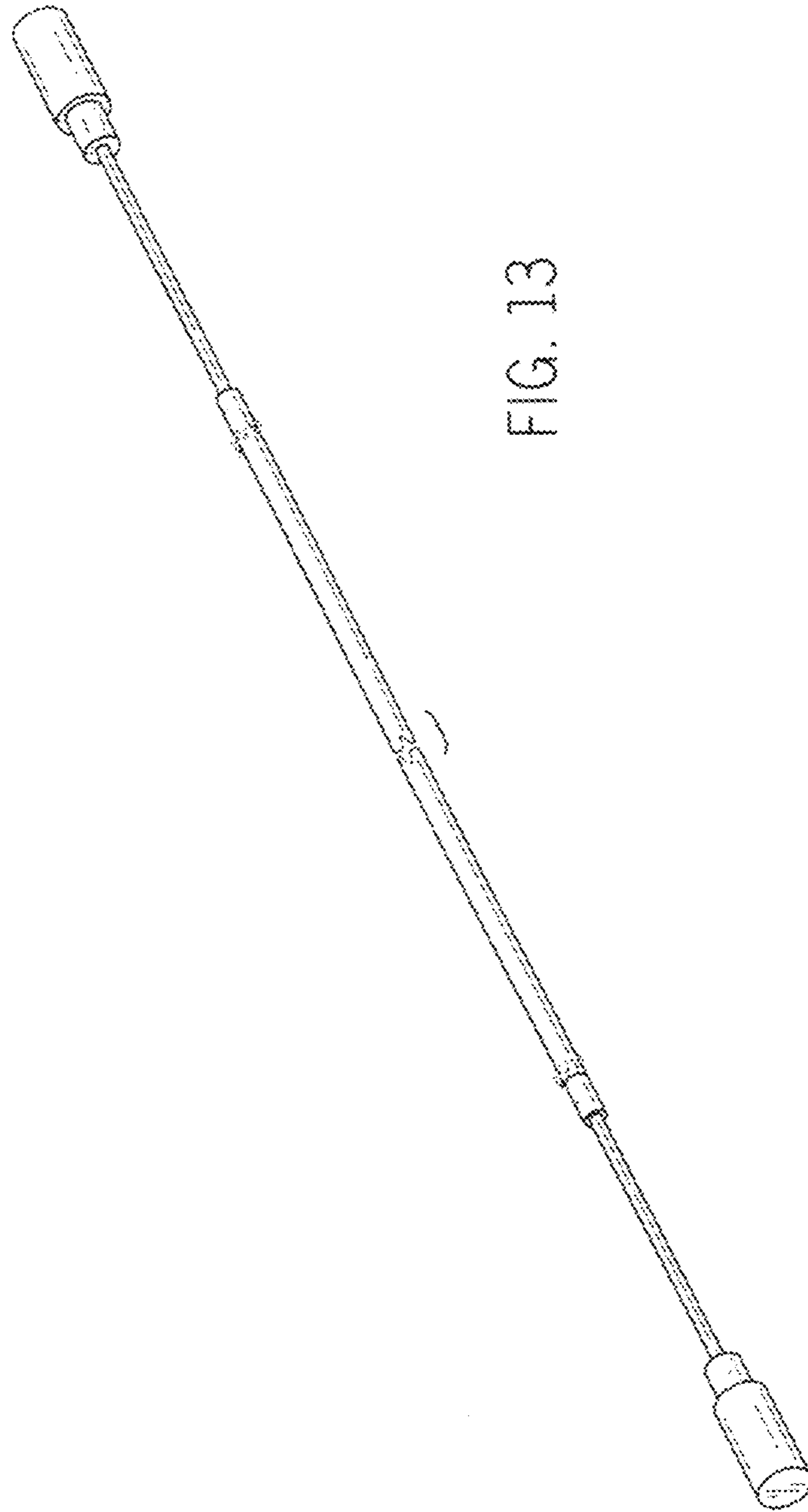


FIG. 13

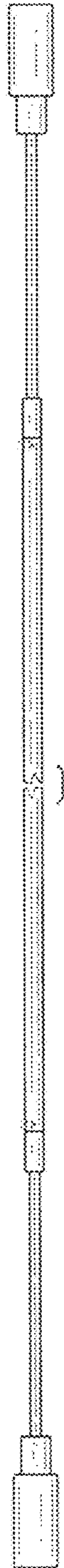


FIG. 14

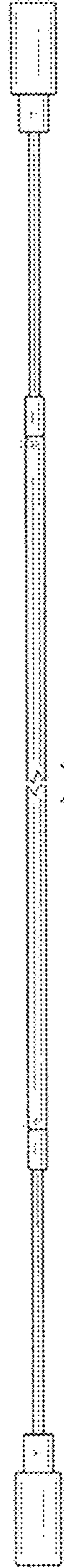


FIG. 15



FIG. 16

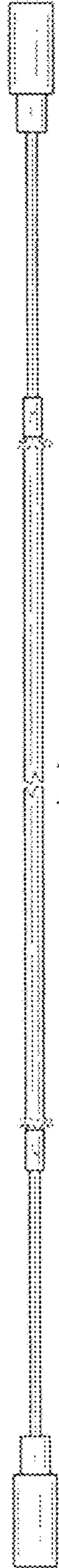


FIG. 17



FIG. 18