



US00D834113S

(12) **United States Design Patent**  
**Chu**

(10) **Patent No.:** **US D834,113 S**

(45) **Date of Patent:** **\*\* Nov. 20, 2018**

(54) **TOY GUN RAIL**

(71) Applicant: **I CHIH SHIVAN ENTERPRISE CO., LTD.**, Taichung (TW)

(72) Inventor: **Chen Tang Chu**, Taichung (TW)

(73) Assignee: **I CHIH SHIVAN ENTERPRISE CO., LTD.**, Taichung (TW)

(\*\*) Term: **15 Years**

(21) Appl. No.: **29/570,150**

(22) Filed: **Jul. 5, 2016**

(51) **LOC (11) Cl.** ..... **21-01**

(52) **U.S. Cl.**  
USPC ..... **D21/574; D22/108**

(58) **Field of Classification Search**  
USPC ..... D21/572-575; D22/103, 104, 108, 109;  
124/66, 67, 72, 74; 42/1.01-1.07, 2,  
42/10-26, 34, 36, 37; 89/33.04, 37.04,  
89/40.06, 41.19, 191.01, 200-204  
CPC ..... F41C 23/10; F41C 23/14; F41C 23/16;  
F41C 23/18  
See application file for complete search history.

(56) **References Cited**

**U.S. PATENT DOCUMENTS**

D607,958 S \* 1/2010 Swan ..... D22/108  
D703,286 S \* 4/2014 Chen ..... D22/108

D721,407 S \* 1/2015 Chu ..... D21/574  
D751,663 S \* 3/2016 Ding ..... D22/108  
D754,274 S \* 4/2016 Geissele ..... D22/108  
D757,201 S \* 5/2016 Meier ..... D22/108  
D770,590 S \* 11/2016 Sui ..... D22/108  
D771,216 S \* 11/2016 Dubois ..... D22/108  
D779,014 S \* 2/2017 Cheng ..... D22/108  
D818,073 S \* 5/2018 Dubois ..... D22/108  
2010/0126054 A1\* 5/2010 Daniel ..... F41C 23/16  
42/71.01

\* cited by examiner

*Primary Examiner* — Cynthia M. Chin

(74) *Attorney, Agent, or Firm* — Leong C. Lei

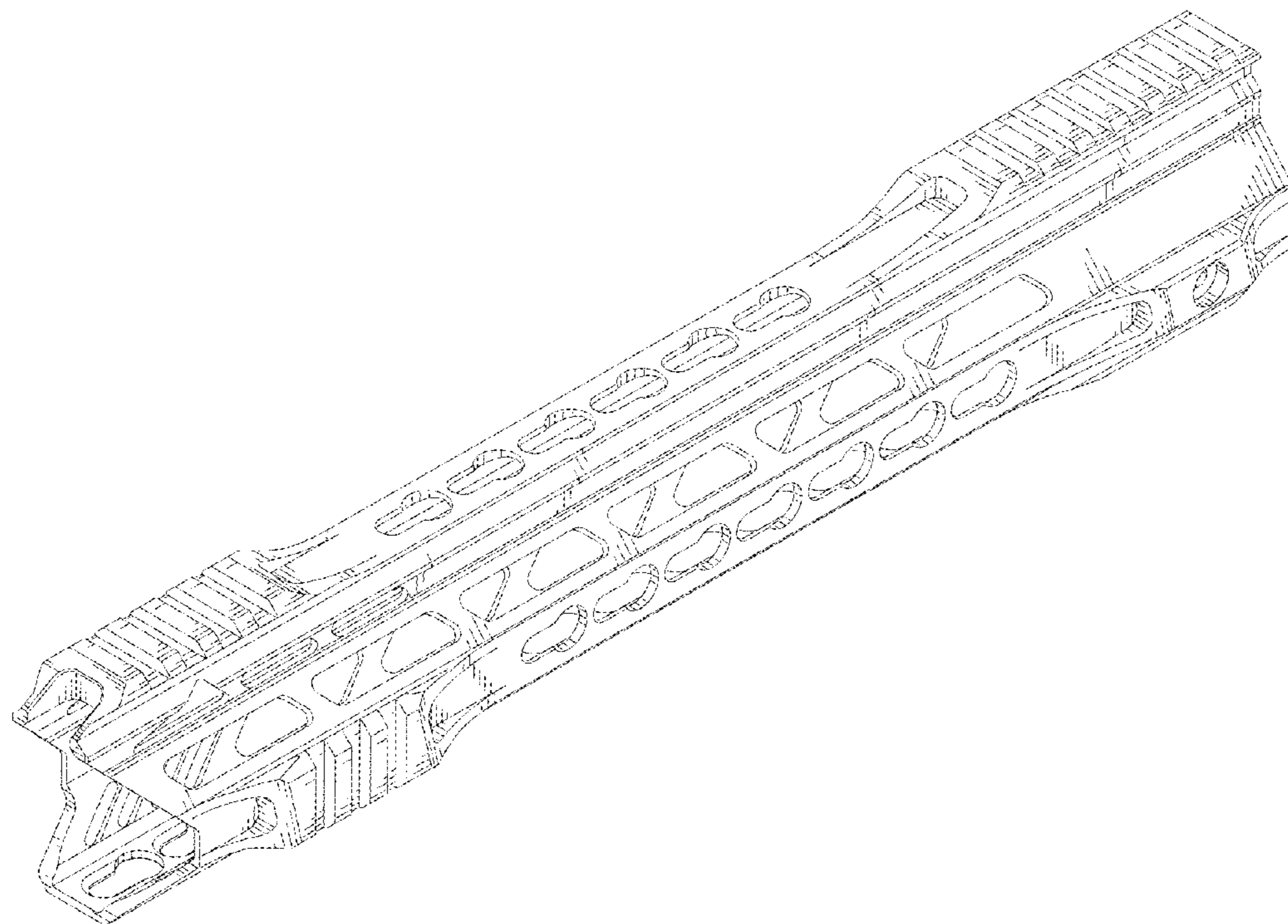
(57) **CLAIM**

The ornamental design for a toy gun rail, as shown and described.

**DESCRIPTION**

FIG. 1 is a front perspective view of a toy gun rail showing my new design;  
FIG. 2 is a rear perspective view thereof;  
FIG. 3 is a right perspective view thereof;  
FIG. 4 is a front elevational view thereof;  
FIG. 5 is a rear elevational view thereof;  
FIG. 6 is a left elevational view thereof;  
FIG. 7 is a right elevational view thereof;  
FIG. 8 is a top plan view thereof; and,  
FIG. 9 is a bottom plan view thereof.

**1 Claim, 8 Drawing Sheets**



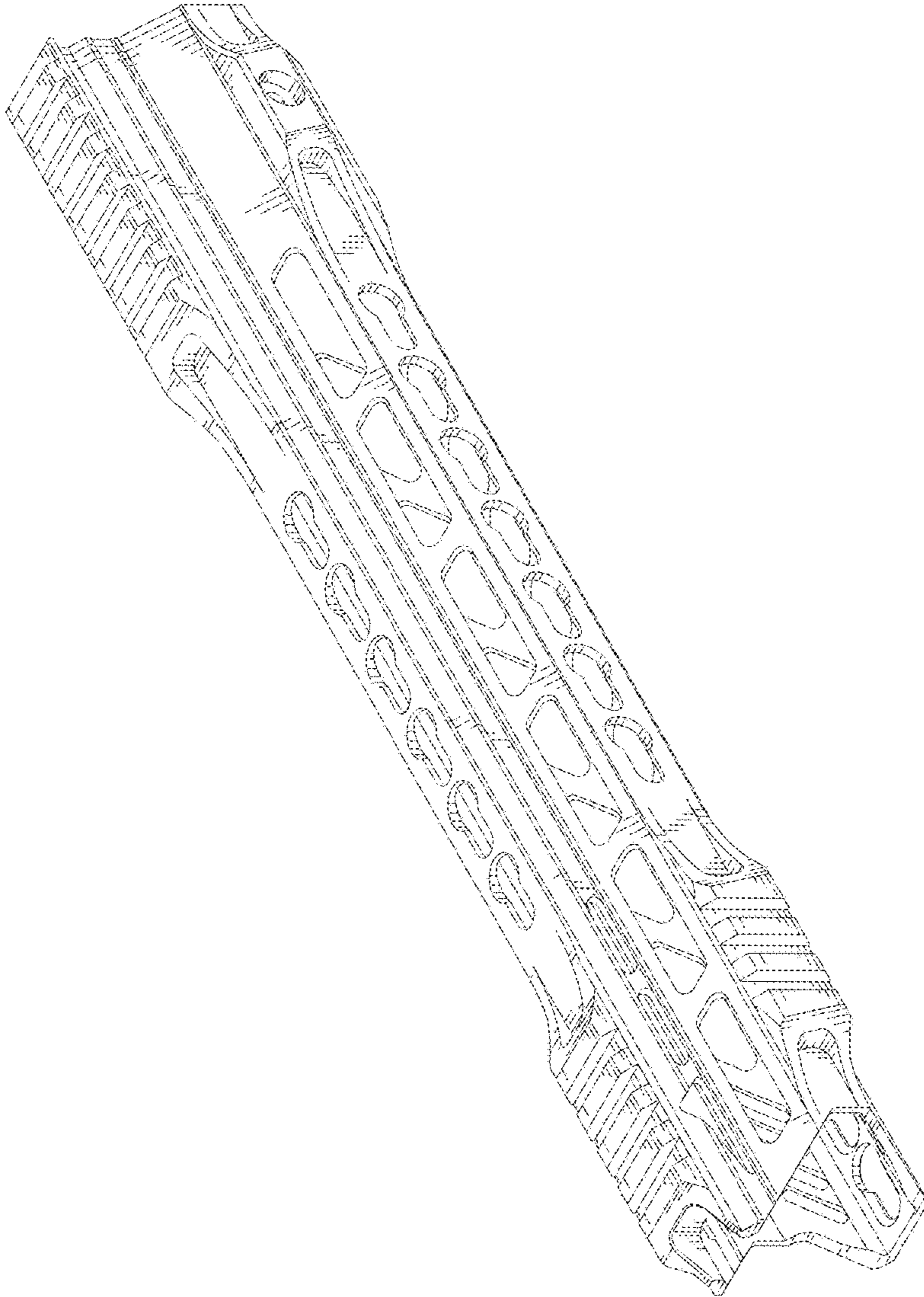


FIG. 1

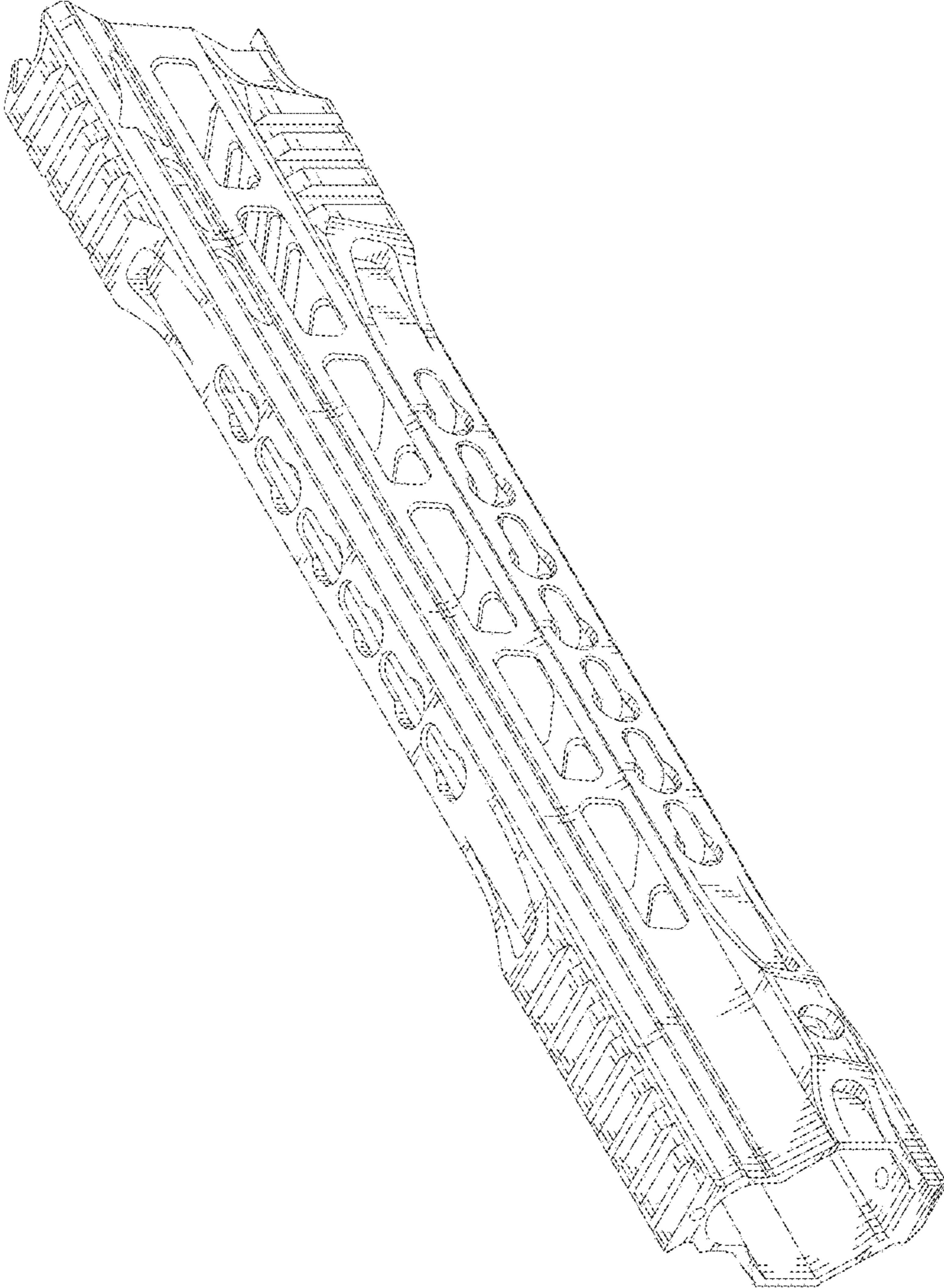


FIG. 2

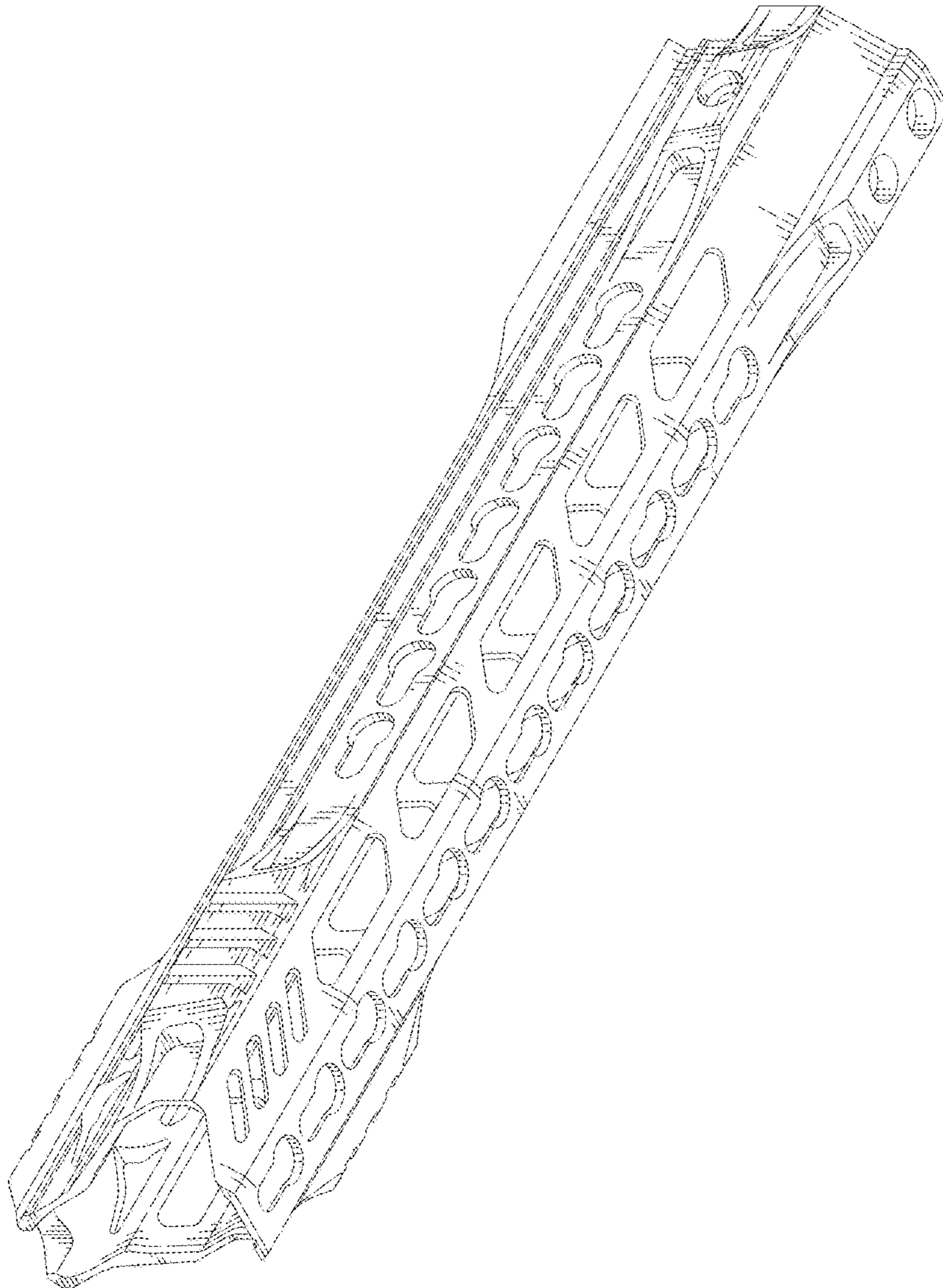


FIG. 3

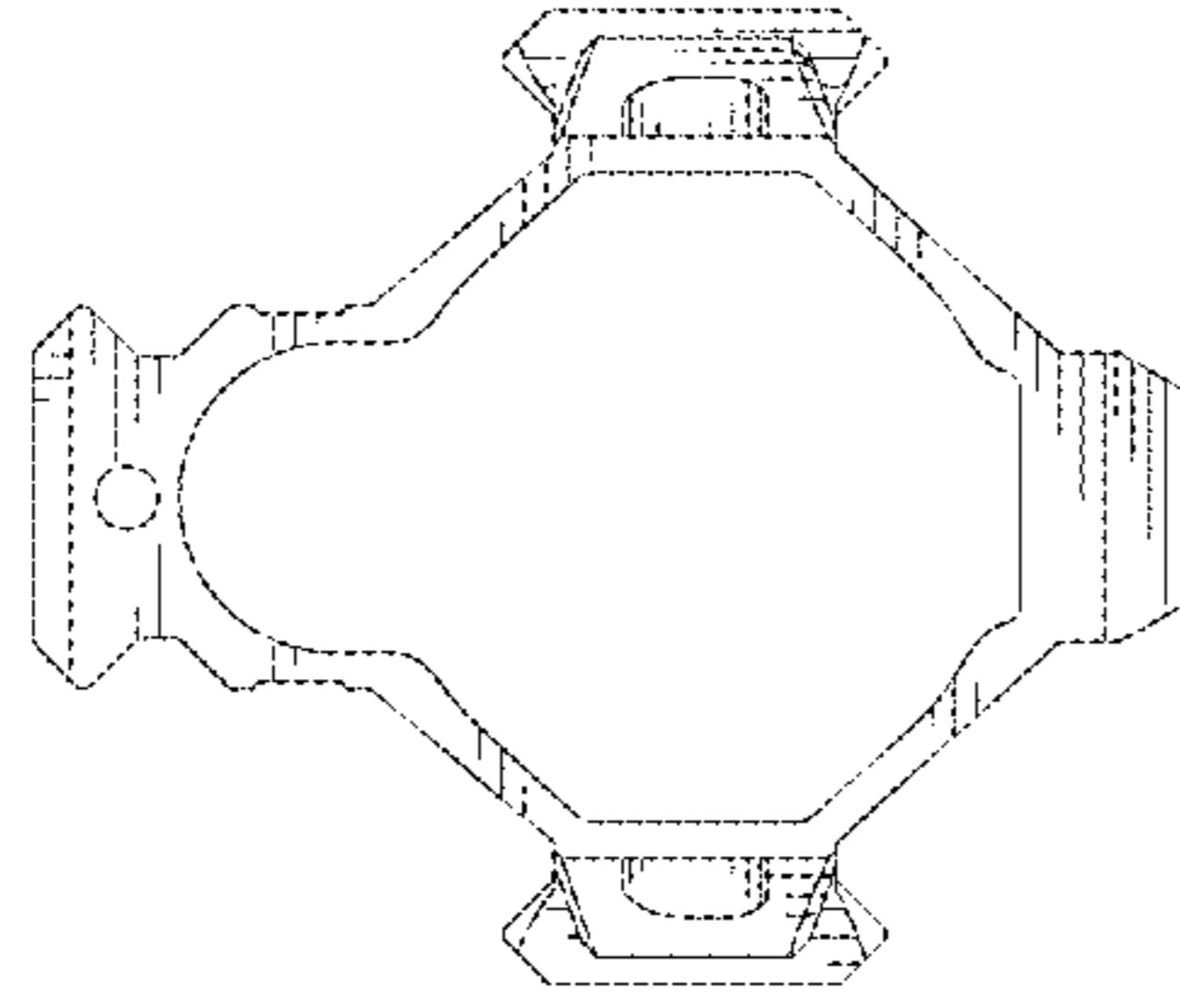


FIG. 5

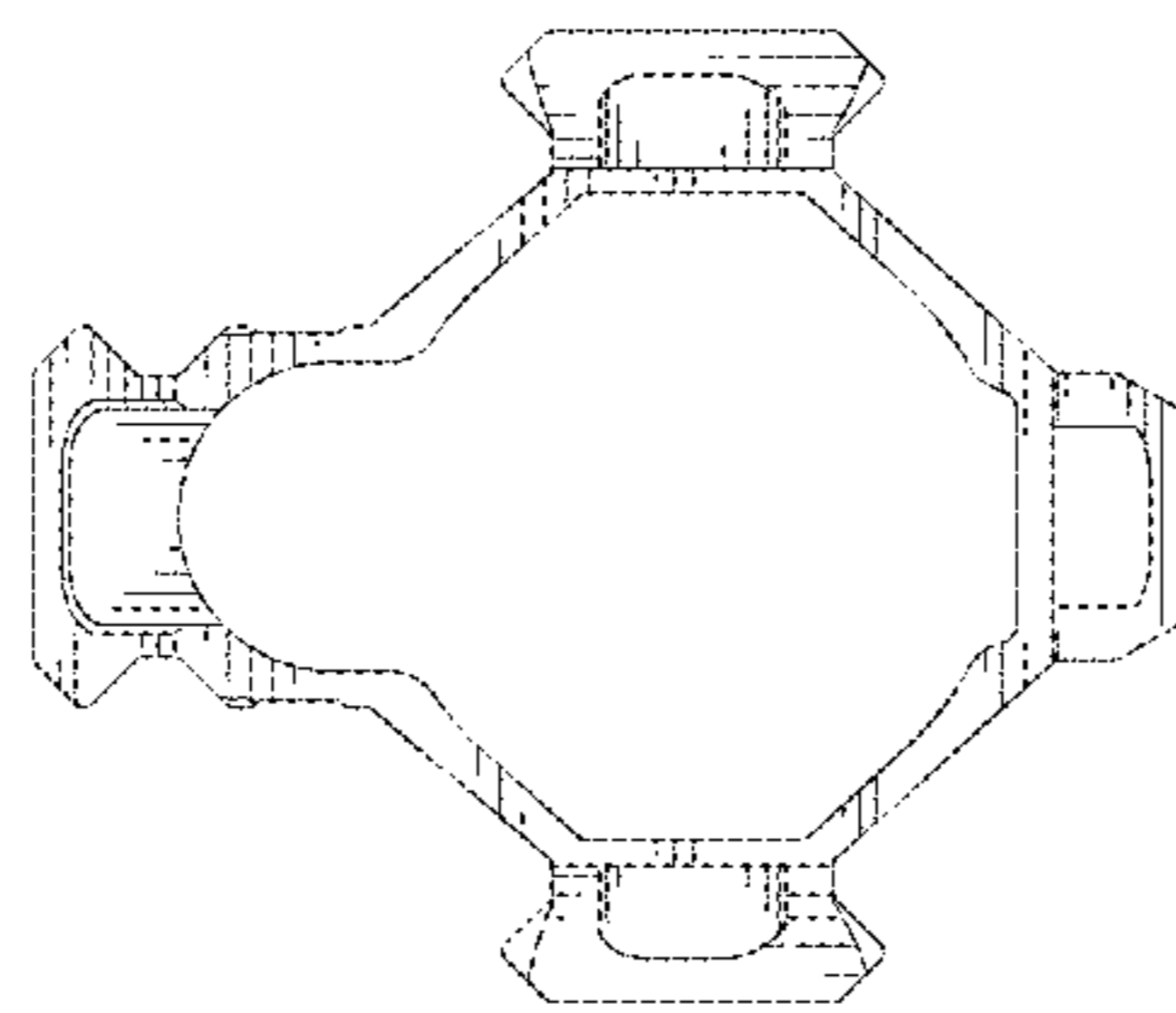


FIG. 4

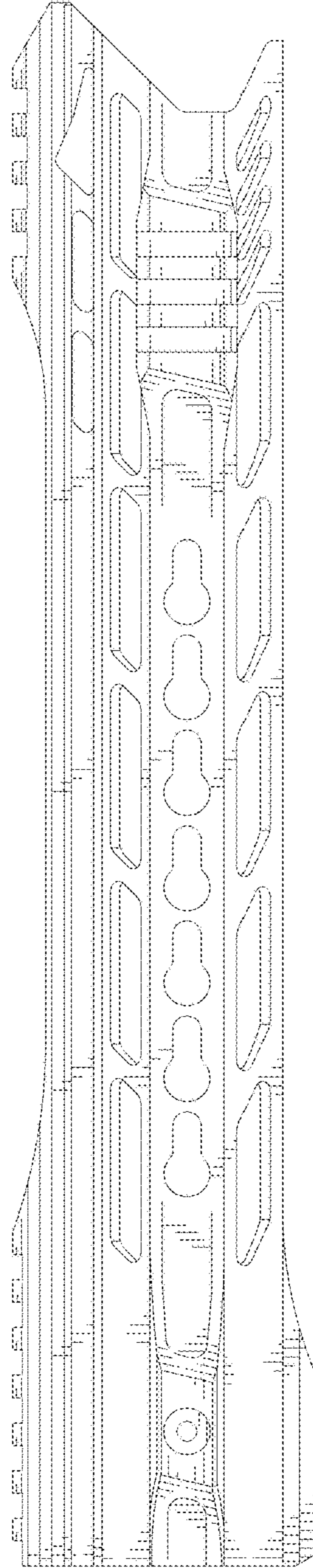


FIG. 6

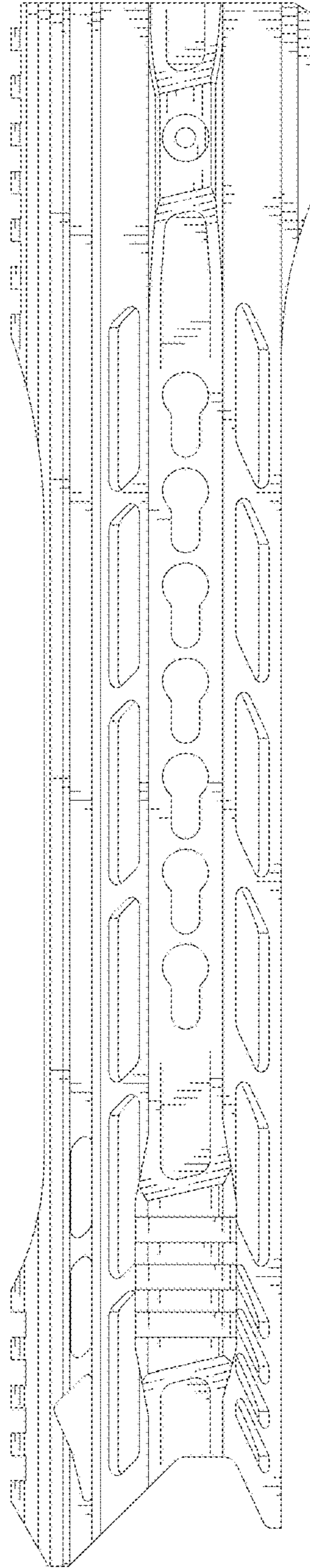


FIG. 7

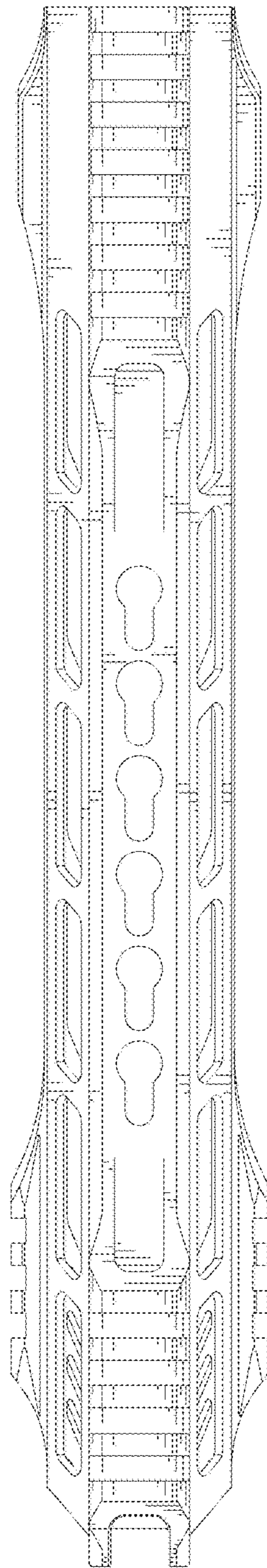
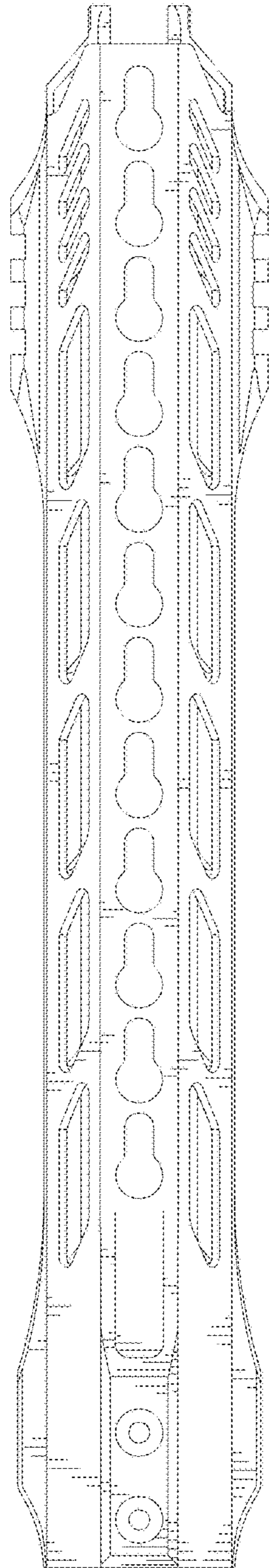


FIG. 8





**FIG. 9**