



US00D834112S

(12) **United States Design Patent** (10) **Patent No.:** **US D834,112 S**
Chu (45) **Date of Patent:** **** Nov. 20, 2018**

(54) **TOY GUN BODY**

(71) Applicant: **I CHIH SHIVAN ENTERPRISE CO., LTD.**, Taichung (TW)

(72) Inventor: **Chen Tang Chu**, Taichung (TW)

(73) Assignee: **I CHIH SHIVAN ENTERPRISE CO., LTD.**, Taichung (TW)

(**) Term: **15 Years**

(21) Appl. No.: **29/570,148**

(22) Filed: **Jul. 5, 2016**

(51) **LOC (11) Cl.** **21-01**

(52) **U.S. Cl.**
USPC **D21/573**

(58) **Field of Classification Search**
USPC D21/567, 570, 573, 574; D22/100,
D22/104-106; 124/18, 19, 21, 22
CPC F41B 7/02; F41B 7/025; F41B 7/08
See application file for complete search history.

(56) **References Cited**

U.S. PATENT DOCUMENTS

D354,997 S *	1/1995	Arad	D21/574
D635,620 S *	4/2011	Nadel	D21/573
D660,921 S *	5/2012	Johnson	D21/572
D660,923 S *	5/2012	Johnson	D21/573
D660,925 S *	5/2012	Jablonski	D21/573
D660,927 S *	5/2012	Jablonski	D21/574
D702,794 S *	4/2014	Chow	D22/104

D757,188 S *	5/2016	Murayama	D21/573
D771,755 S *	11/2016	Stack	D21/574
2012/0024279 A1 *	2/2012	Carlson	F41B 11/55 124/66
2013/0125870 A1 *	5/2013	Huebl	F41A 9/26 124/56

* cited by examiner

Primary Examiner — Cynthia M. Chin

(74) *Attorney, Agent, or Firm* — Leong C. Lei

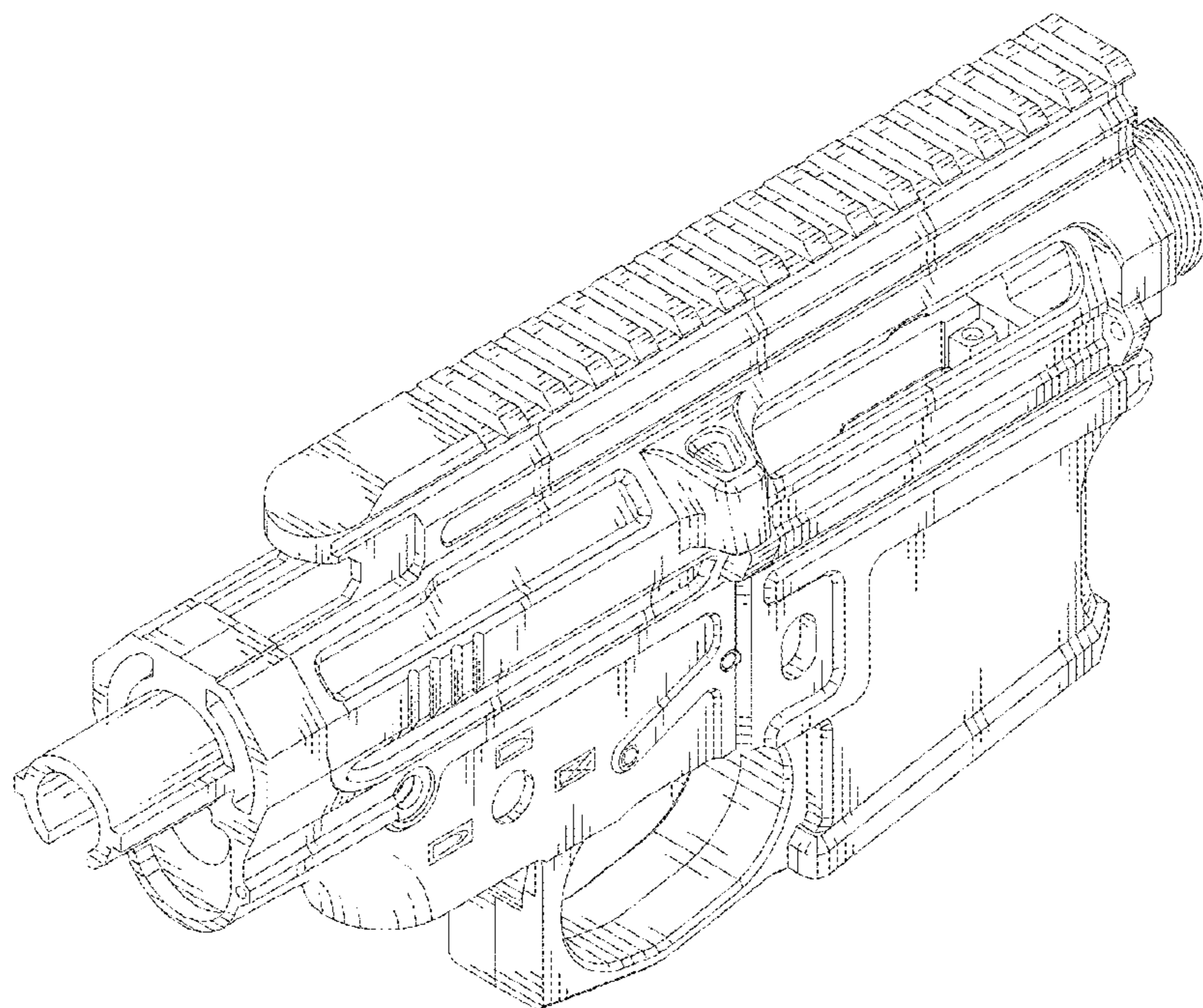
(57) **CLAIM**

The ornamental design for a toy gun body, as shown and described.

DESCRIPTION

FIG. 1 is a front perspective view of a toy gun body showing my new design;
FIG. 2 is a rear perspective view thereof;
FIG. 3 is a bottom perspective view thereof;
FIG. 4 is a front elevational view thereof;
FIG. 5 is a rear elevational view thereof;
FIG. 6 is a left elevational view thereof;
FIG. 7 is a right elevational view thereof;
FIG. 8 is a top plan view thereof; and,
FIG. 9 is a bottom plan view thereof.
The broken lines are for the purpose of illustrating portions of the article that form no part of the claim.

1 Claim, 7 Drawing Sheets



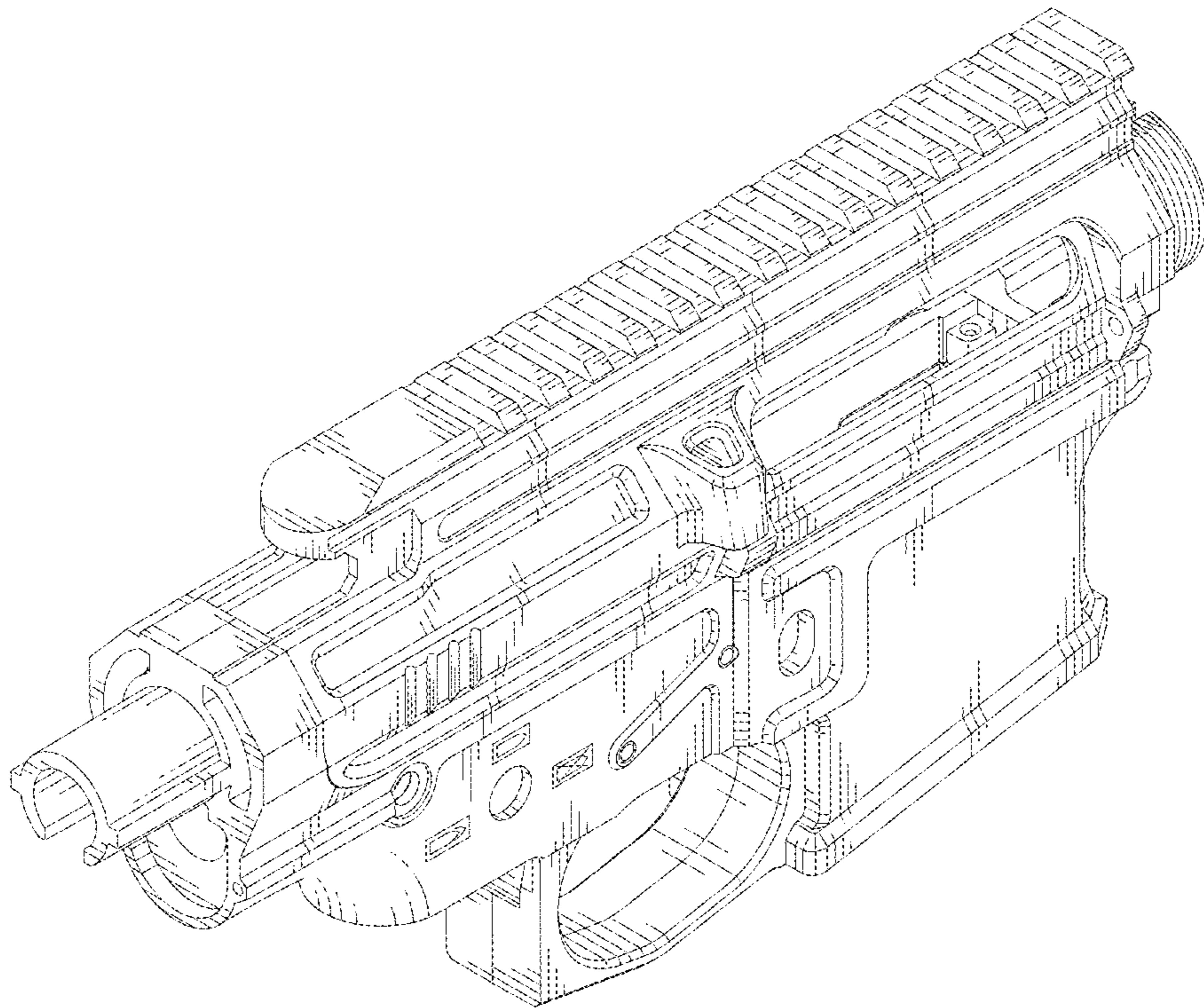


FIG. 1

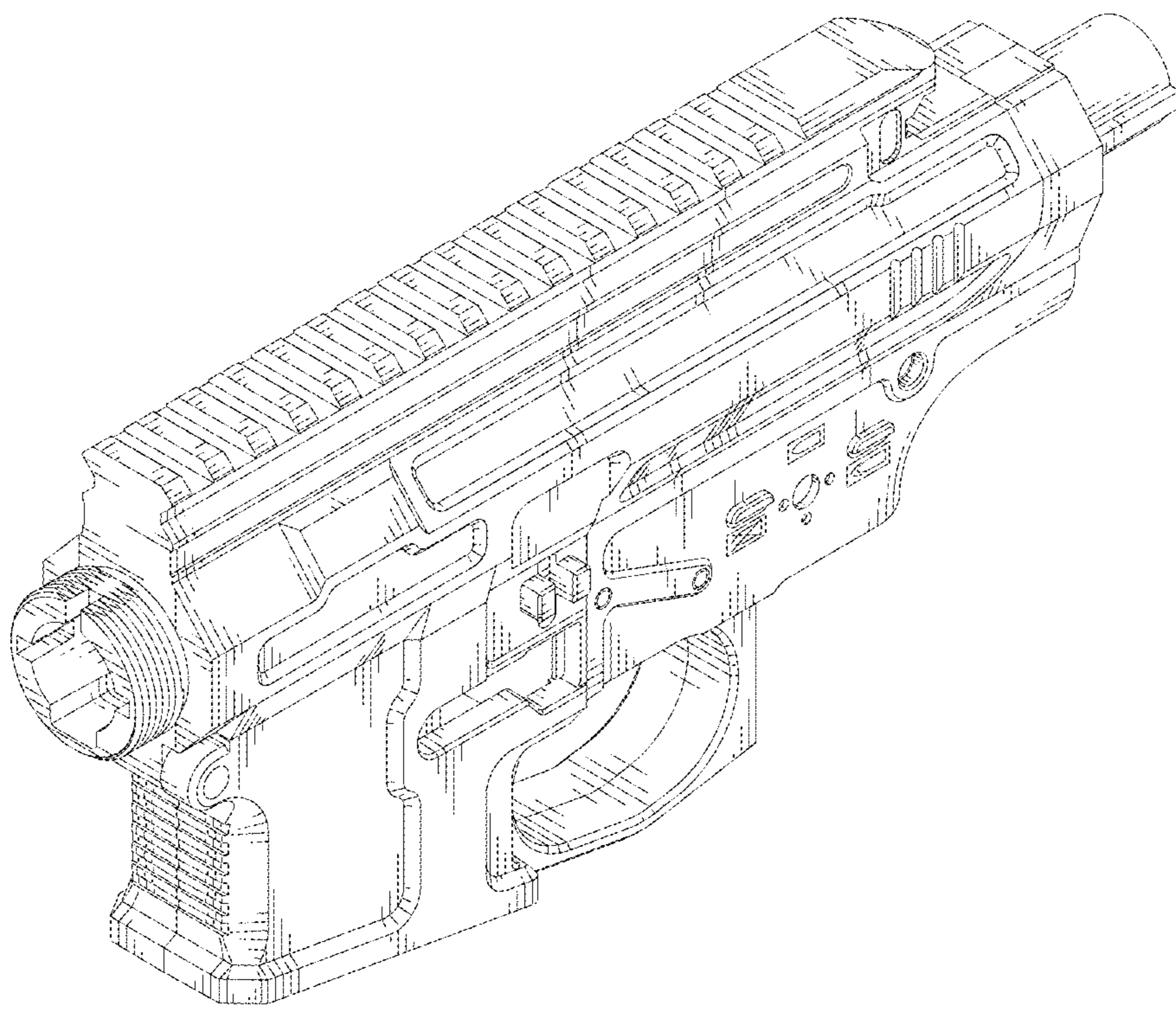


FIG. 2

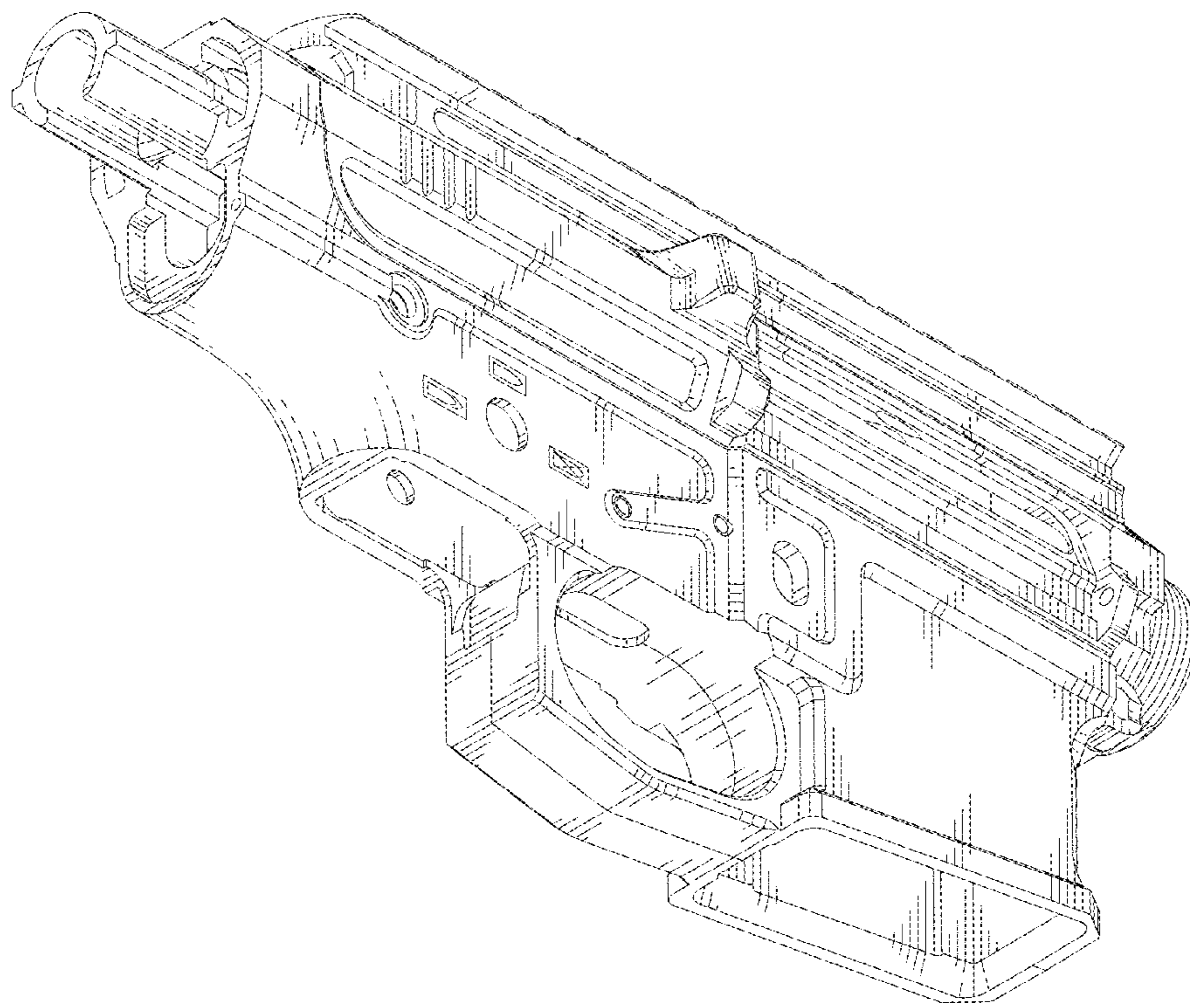


FIG. 3

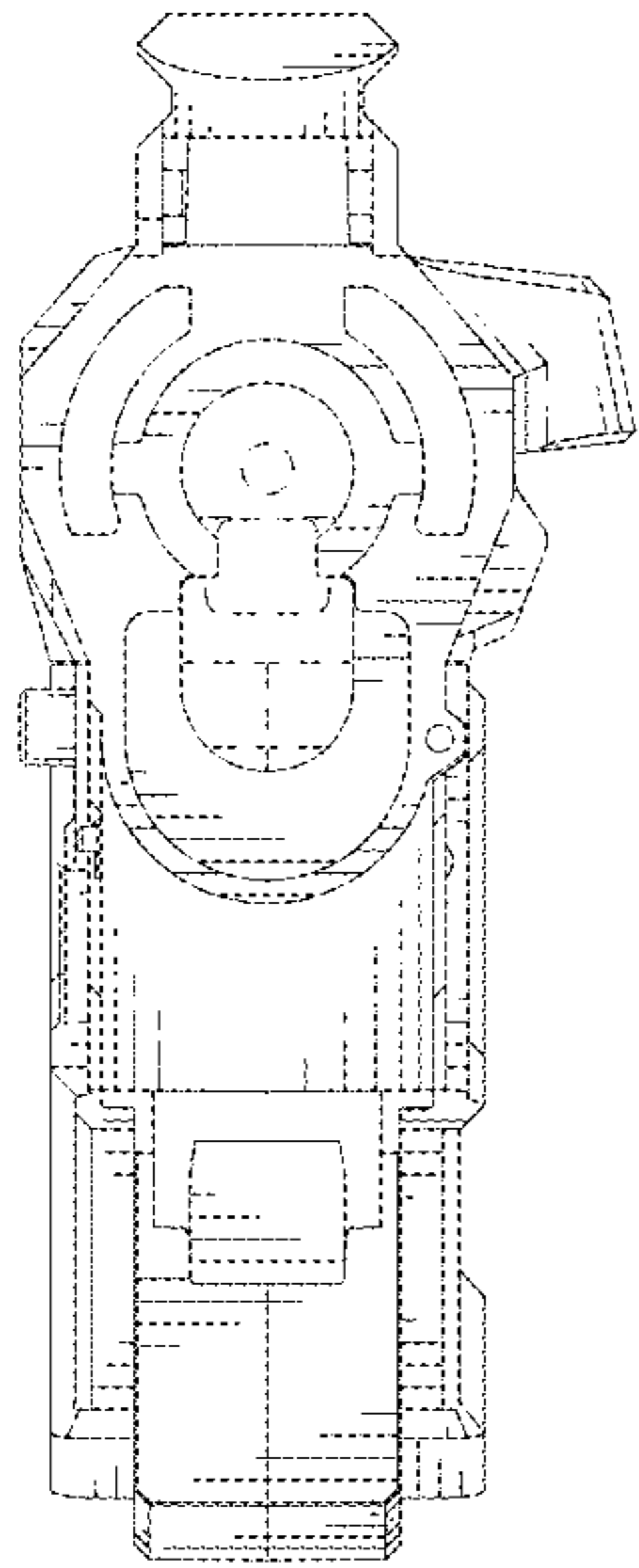


FIG. 4

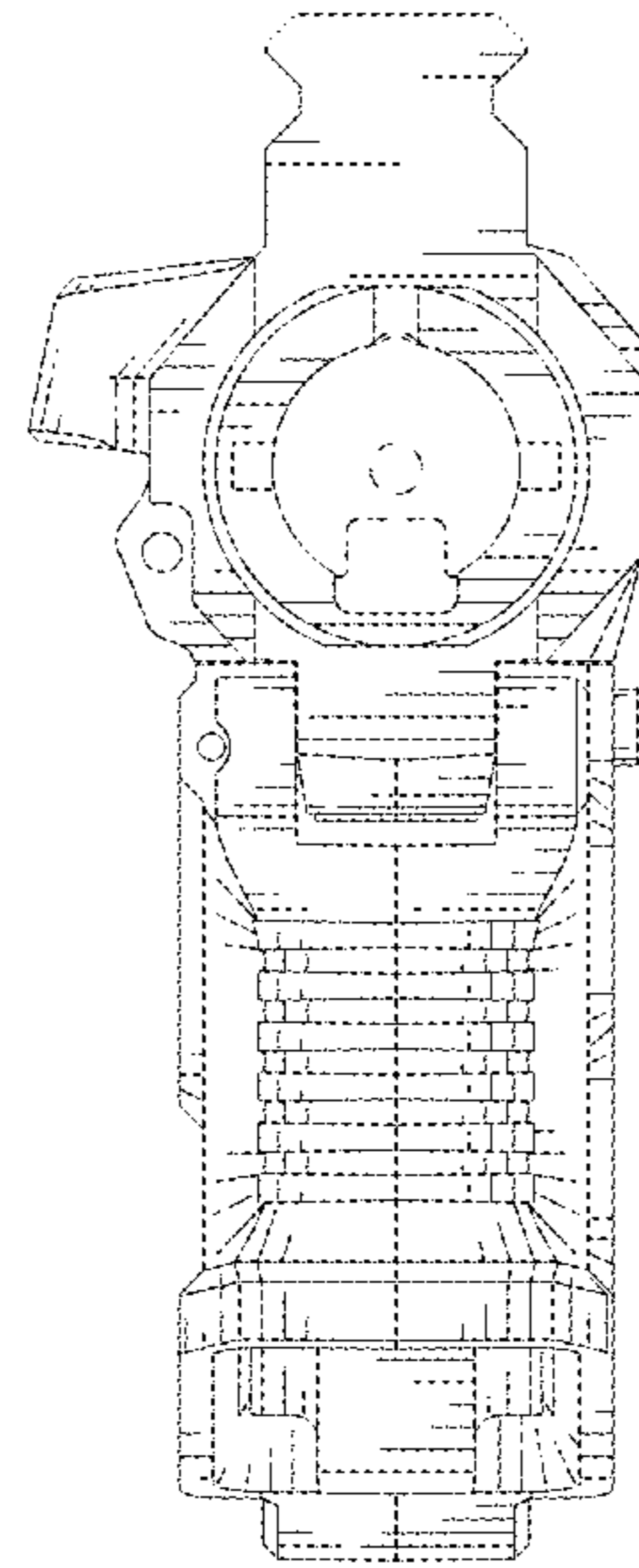


FIG. 5

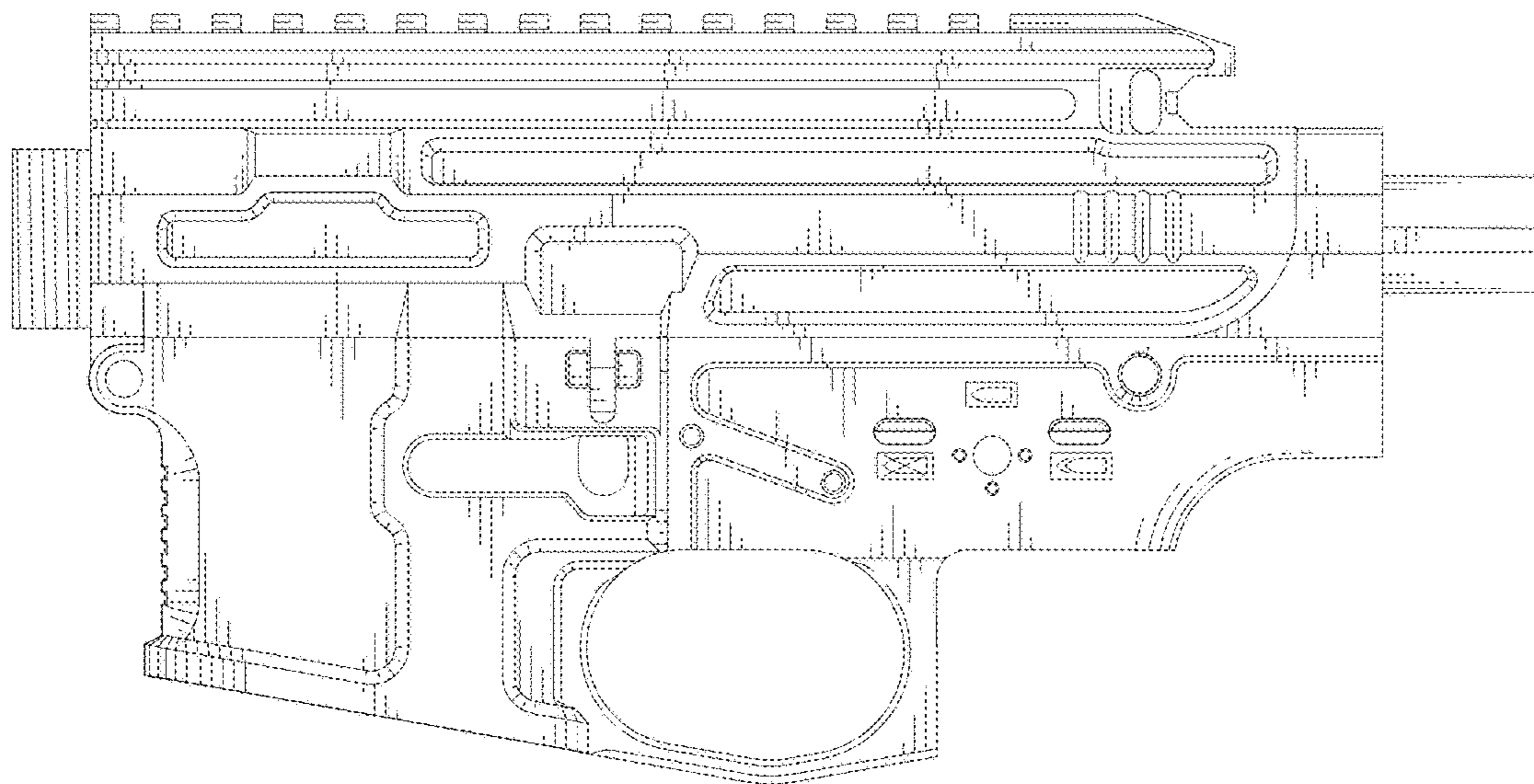


FIG. 6

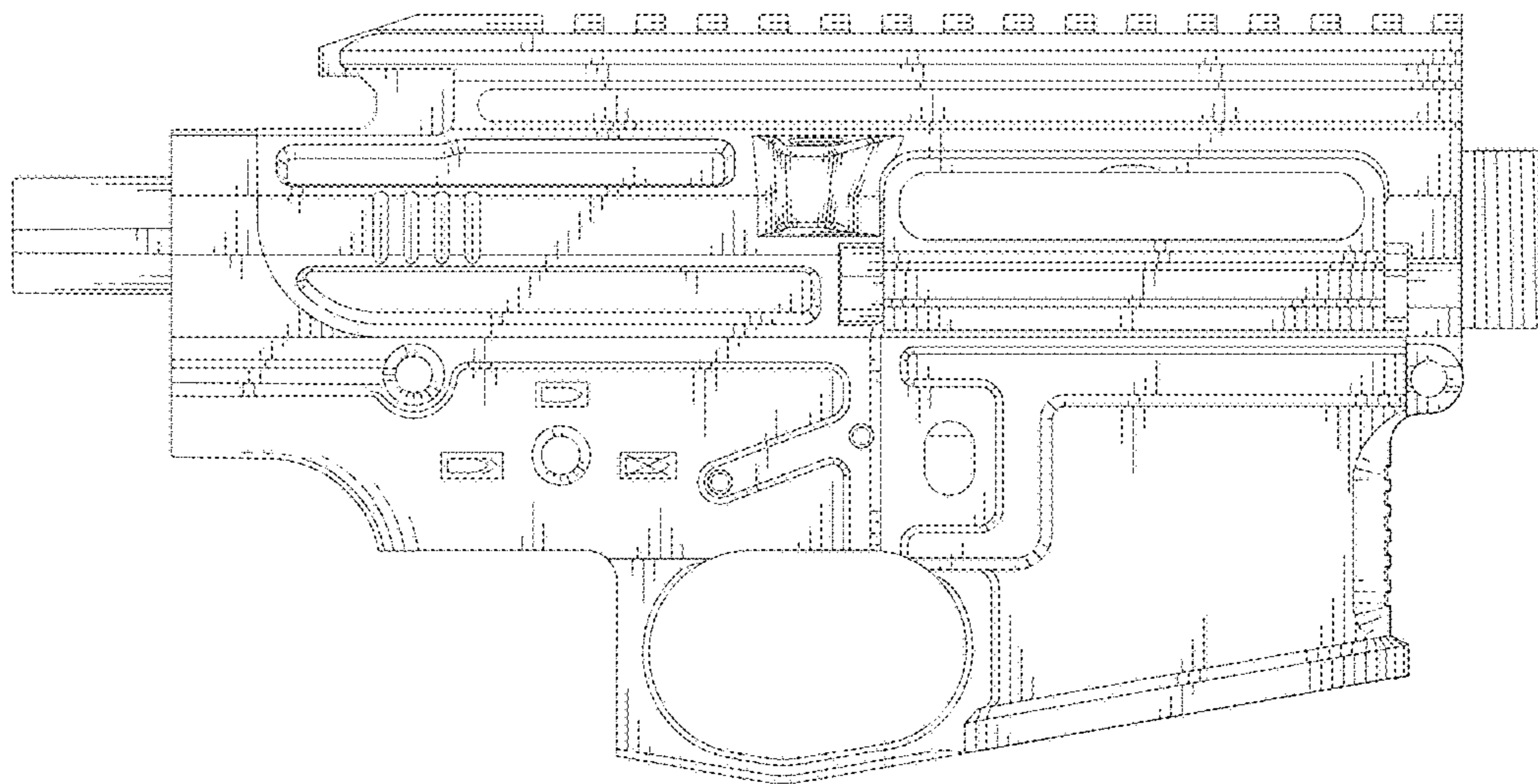


FIG. 7

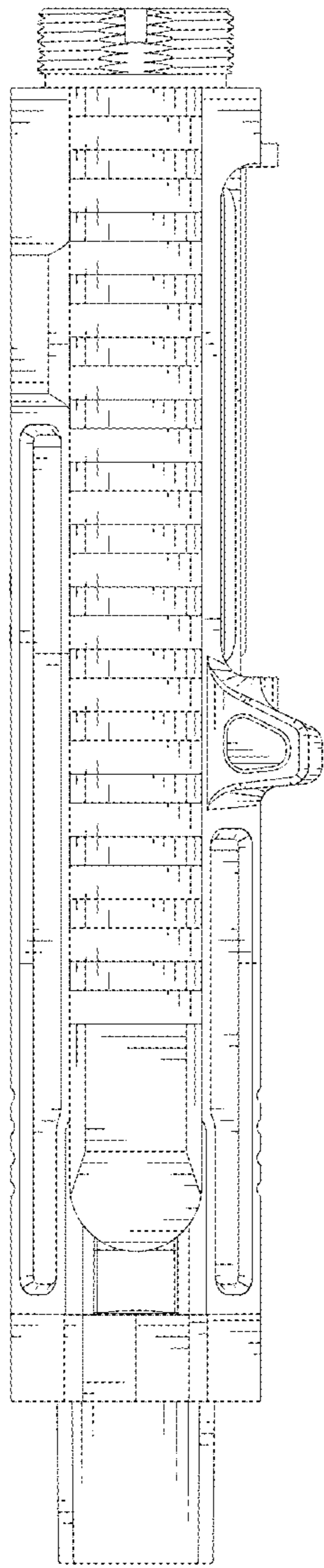


FIG. 8

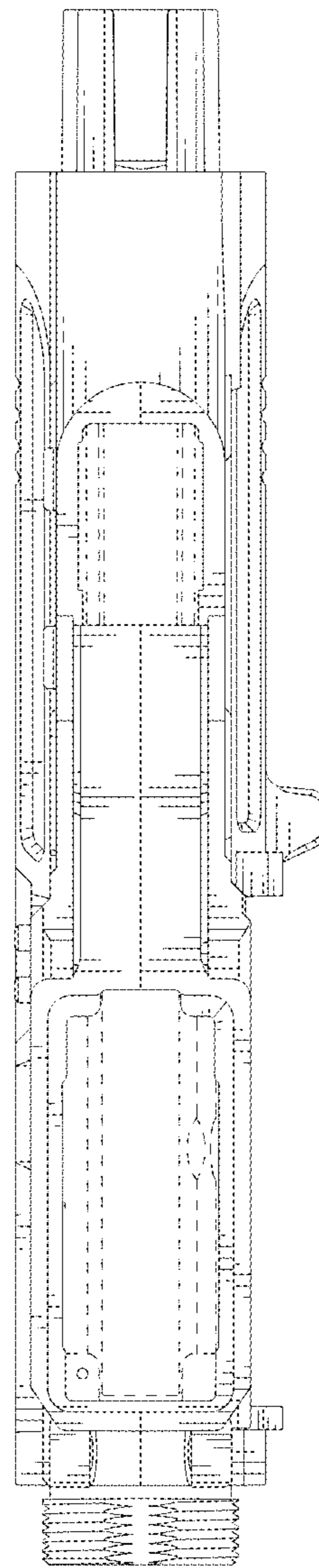


FIG. 9