



US00D834111S

(12) **United States Design Patent** (10) **Patent No.:** **US D834,111 S**
Soward et al. (45) **Date of Patent:** **** *Nov. 20, 2018**

- (54) **TRANSDUCER MOUNT**
- (71) Applicant: **TRAXXAS LP**, McKinney, TX (US)
- (72) Inventors: **Terry Dale Soward**, Van Alstyne, TX (US); **Adam Cole Ewing**, McKinney, TX (US); **Jory Sprowl**, Wolfe City, TX (US); **Otto Karl Allmendinger**, Rowlett, TX (US)
- (73) Assignee: **TRAXXAS LP**, McKinney, TX (US)
- (*) Notice: This patent is subject to a terminal disclaimer.
- (**) Term: **14 Years**
- (21) Appl. No.: **29/524,263**
- (22) Filed: **Apr. 17, 2015**

Related U.S. Application Data

- (63) Continuation-in-part of application No. 29/504,076, filed on Oct. 1, 2014, now Pat. No. Des. 751,155.
- (51) **LOC (11) Cl.** **21-01**
- (52) **U.S. Cl.**
USPC **D21/561**
- (58) **Field of Classification Search**
USPC D14/224; D21/561, 562, 563
CPC H04R 1/02; H04R 1/021; H04R 1/025;
A63H 29/00; A63H 29/22
See application file for complete search history.

(56) **References Cited**

U.S. PATENT DOCUMENTS

- 3,430,007 A 2/1969 Thielen
- 3,772,466 A 11/1973 Hossbach
- 3,801,943 A 4/1974 Bertagni
- 4,146,110 A * 3/1979 Maloney H04R 1/24
181/147
- D256,915 S * 9/1980 Needleman D14/224

- 4,252,211 A * 2/1981 Matsuda H04R 1/22
181/166
- 4,256,930 A 3/1981 Garner et al.
- 4,258,499 A 3/1981 Mabuchi
- 4,323,737 A 4/1982 Shimada et al.
(Continued)

FOREIGN PATENT DOCUMENTS

- EP 1322136 A2 6/2003
- EP 2023656 A1 2/2009
(Continued)

OTHER PUBLICATIONS

Dayton Audio; "Tech Note: Understanding Exciters—Principles and Applications"; Dayton Audio, Springboro, Ohio; daytonaudio.com; Apr. 21, 2014.
(Continued)

Primary Examiner — Cynthia M. Chin
(74) *Attorney, Agent, or Firm* — Daryl R. Wright; Greg Carr

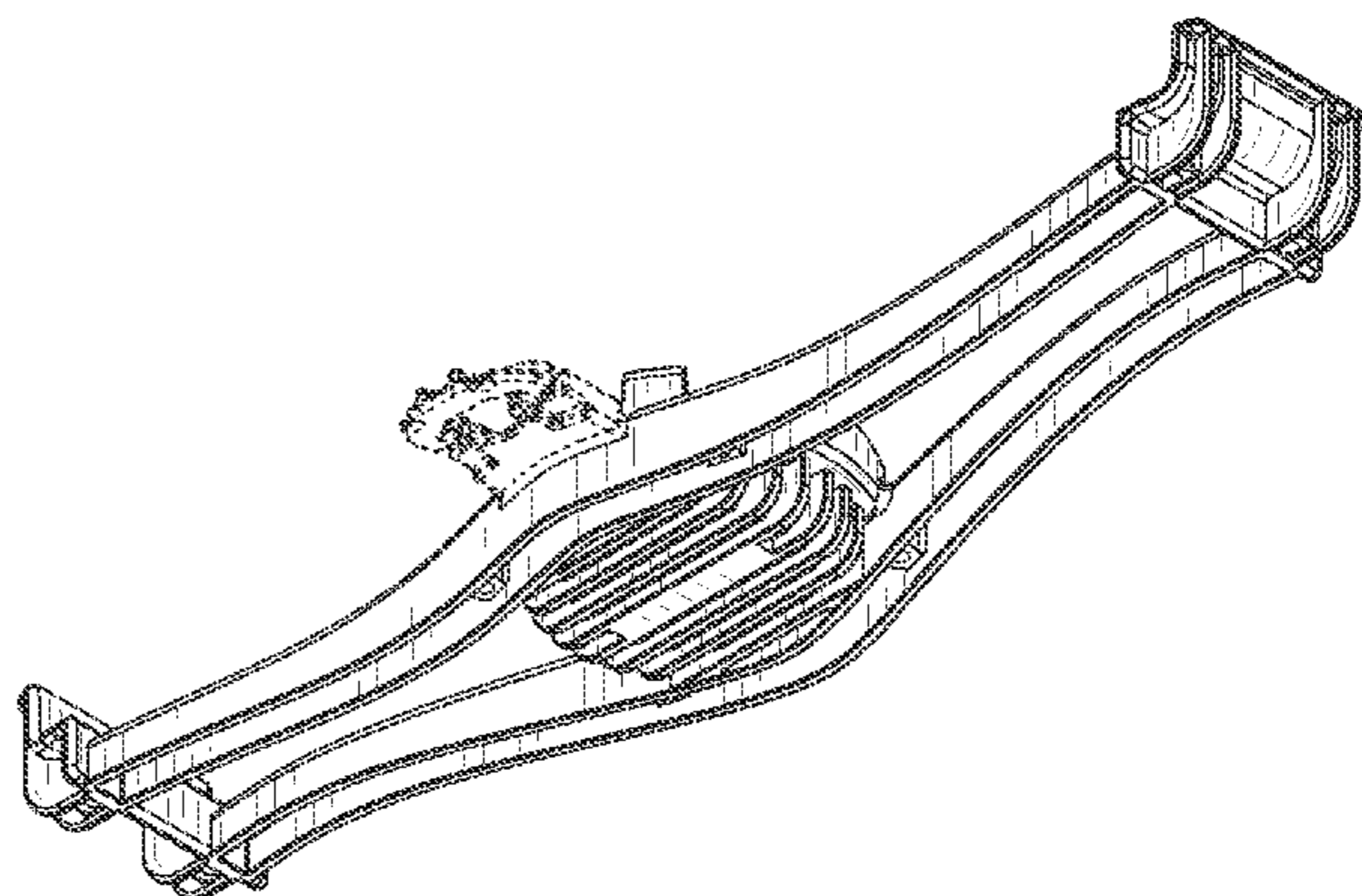
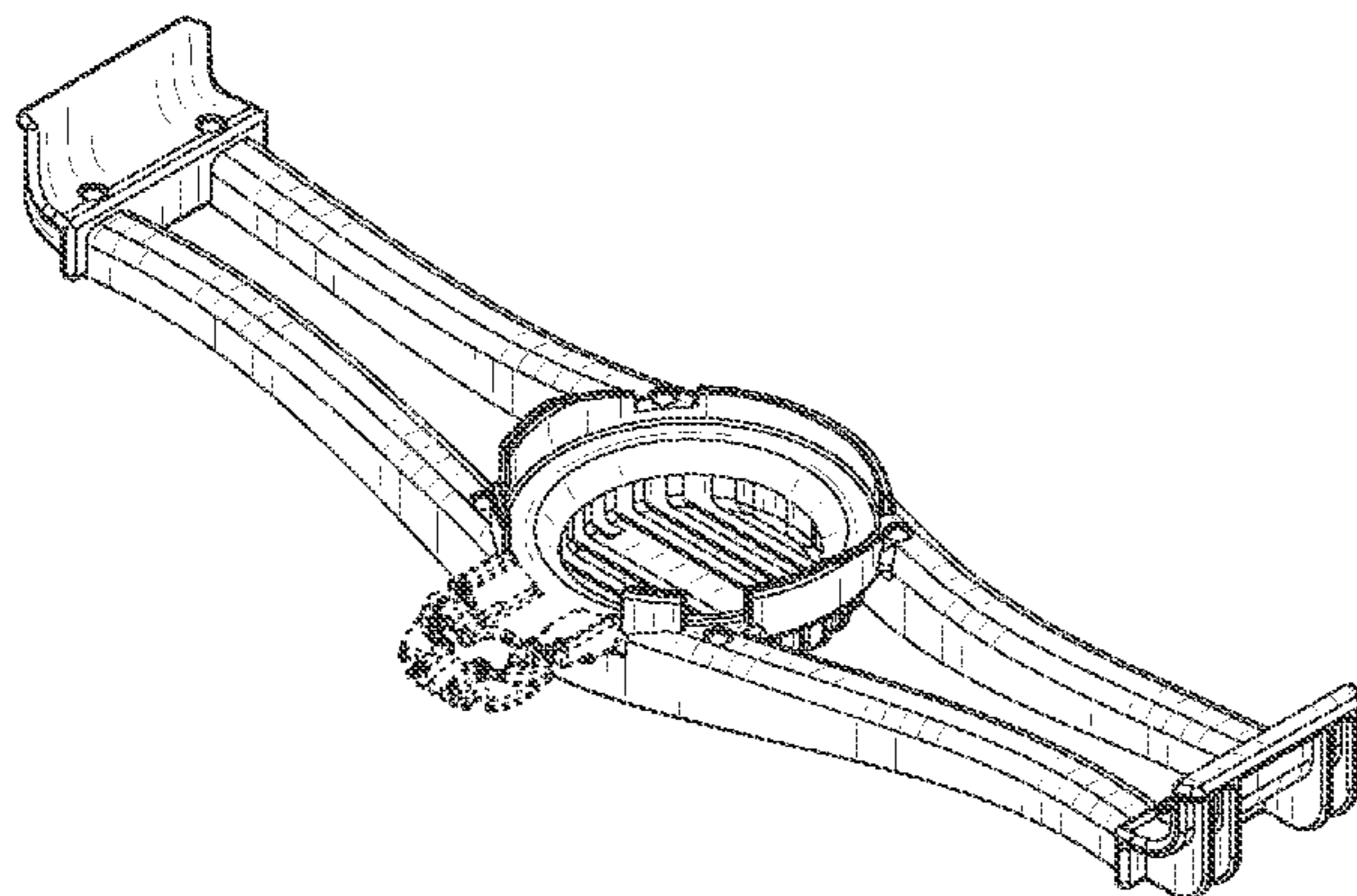
(57) **CLAIM**

We claim the ornamental design for a transducer mount, as shown and described.

DESCRIPTION

FIG. 1 is a, top, left, front perspective view of a transducer mount;
FIG. 2 is a bottom, right, front perspective view thereof;
FIG. 3 is a top plan view thereof;
FIG. 4 is a front elevation view thereof;
FIG. 5 is a bottom plan view thereof;
FIG. 6 is a rear elevation view thereof;
FIG. 7 is a right side elevation view thereof; and,
FIG. 8 is a left side elevation view thereof.
Structural elements depicted by broken lines have been shown for the purpose of illustrating portions of the transducer mount that form no part of the claimed design.

1 Claim, 3 Drawing Sheets



(56)

References Cited

U.S. PATENT DOCUMENTS

4,359,133 A 11/1982 Krolak
 4,384,174 A 5/1983 Suzuki et al.
 4,465,905 A 8/1984 Nation
 4,506,117 A 3/1985 Fresard
 4,514,599 A 4/1985 Yanagishima et al.
 4,633,972 A * 1/1987 DeRocher H04R 1/025
 181/141
 4,665,550 A 5/1987 Haas
 4,720,868 A 1/1988 Hirano
 4,914,750 A 4/1990 Lawson
 4,926,486 A 5/1990 Barsumian
 4,946,416 A 8/1990 Stem et al.
 4,993,510 A 2/1991 Kato et al.
 D318,671 S * 7/1991 Naumann D14/221
 5,088,955 A 8/1992 Ishimoto
 5,414,229 A 5/1995 Rocheleau et al.
 5,635,903 A 6/1997 Koike et al.
 5,640,461 A 6/1997 Ebert et al.
 5,702,283 A 12/1997 Watson, Jr. et al.
 5,734,726 A 3/1998 Truchsess
 5,835,605 A 11/1998 Kunimoto
 6,192,136 B1 2/2001 Azima et al.
 6,208,237 B1 3/2001 Saiki et al.
 D451,909 S * 12/2001 Mackie D14/224
 6,332,029 B1 12/2001 Azima et al.
 6,356,185 B1 3/2002 Plugge et al.
 D455,733 S 4/2002 Stompler
 6,456,722 B1 9/2002 Davey et al.
 D468,729 S 1/2003 Takayama
 D472,232 S 3/2003 Stompler
 6,618,487 B1 9/2003 Azima et al.
 D483,743 S 12/2003 Vosse
 D483,744 S 12/2003 Vosse
 6,707,925 B1 * 3/2004 Breithaupt B60R 11/0217
 181/171
 6,956,957 B1 10/2005 Azima et al.
 D522,496 S 6/2006 Smith et al.
 D541,909 S 5/2007 Schonherr et al.

7,364,009 B2 * 4/2008 Sperle H04R 1/025
 181/150
 D570,336 S 6/2008 Suzuki
 D582,399 S 12/2008 Venier et al.
 D607,439 S 1/2010 Jokinen
 D644,634 S * 9/2011 Cywan D14/224
 8,247,930 B2 8/2012 Yamagishi
 D691,596 S * 10/2013 Fuller D14/224
 D741,841 S 10/2015 Fuller
 9,327,203 B2 5/2016 Soheili
 2003/0081800 A1 5/2003 Klasco et al.
 2010/0166210 A1 7/2010 Isozaki
 2010/0189295 A1 7/2010 Datz et al.
 2011/0228967 A1 9/2011 Kulchy et al.
 2013/0230200 A1 9/2013 Lau
 2013/0288566 A1 10/2013 Filoseta
 2015/0003639 A1 1/2015 Cheung
 2015/0049894 A1 2/2015 DiTullo et al.
 2015/0071475 A1 3/2015 Hose et al.
 2015/0256912 A1 9/2015 Nedelman

FOREIGN PATENT DOCUMENTS

EP 2482024 A2 8/2012
 JP 2007137179 A 6/2007
 RU 2098926 C1 12/1997
 TW 256664 9/1995
 TW 315242 9/1997
 WO 8808239 A1 10/1988
 WO 1998/31188 A1 7/1998

OTHER PUBLICATIONS

Taiwan Design Application No. 104305820; Search Report; dated Apr. 5, 2016.
 PCT/US2015/040794; International Search Report and Written Opinion; dated Dec. 21, 2015.
 Azima et al., "Loudspeakers," U.S. Appl. No. 09/341,295, filed Jan. 5, 1998; Amendment filed Jun. 4, 2001.

* cited by examiner

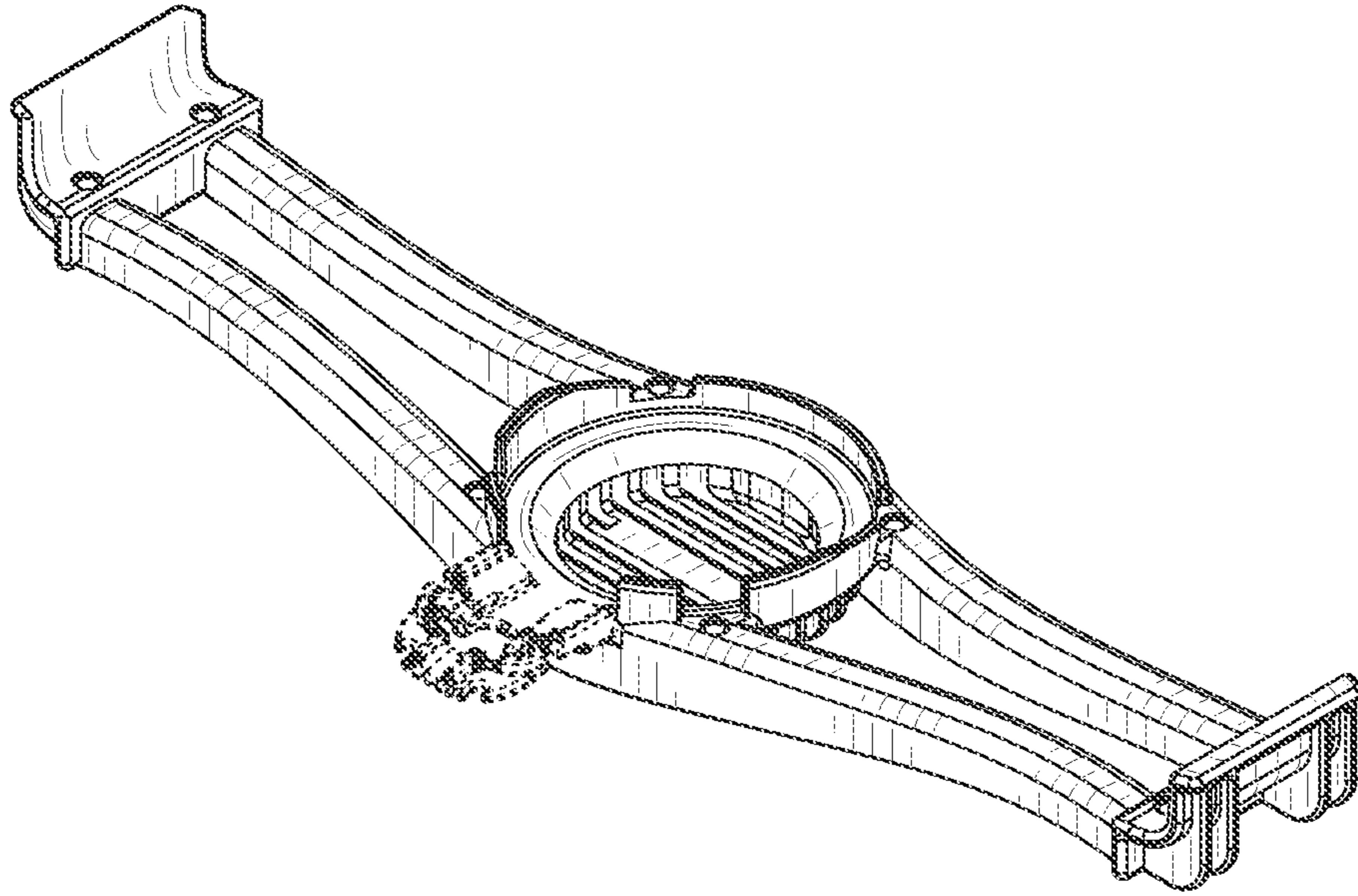


FIG. 1

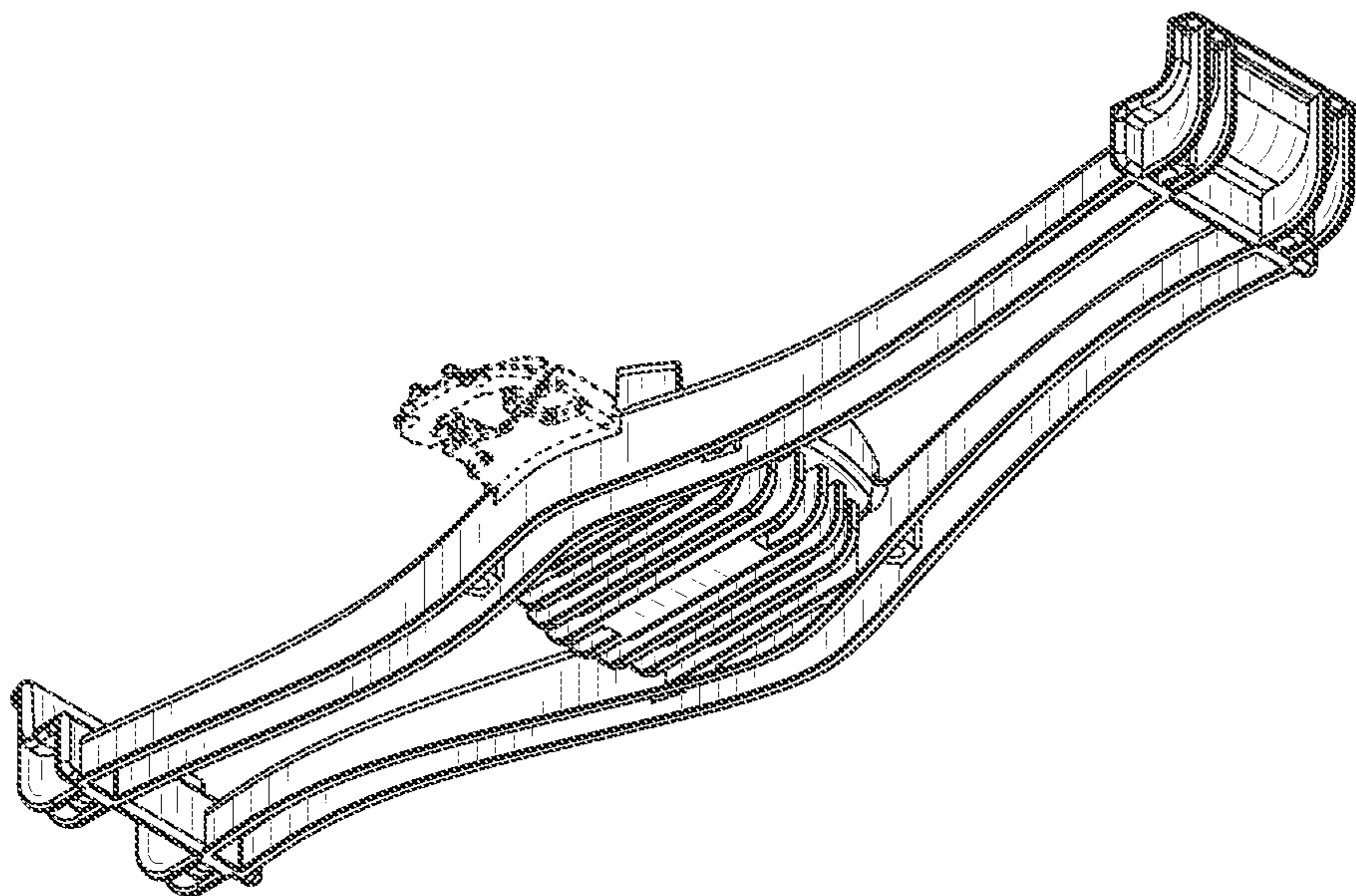


FIG. 2

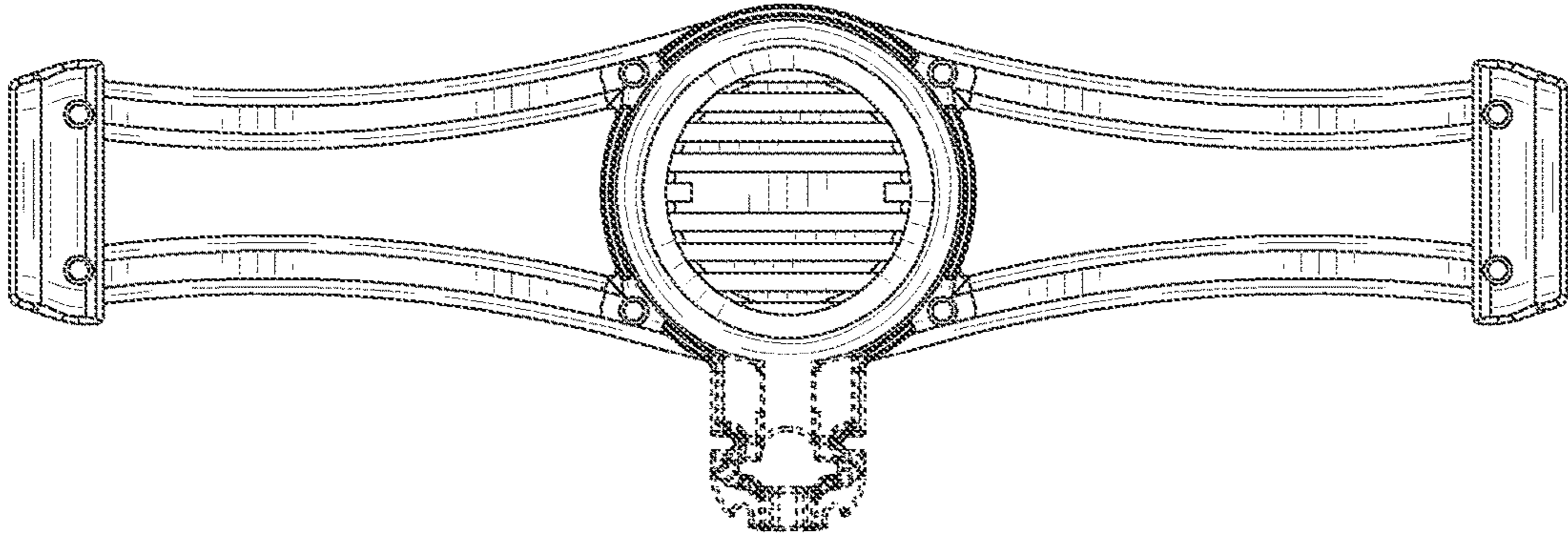


FIG. 3

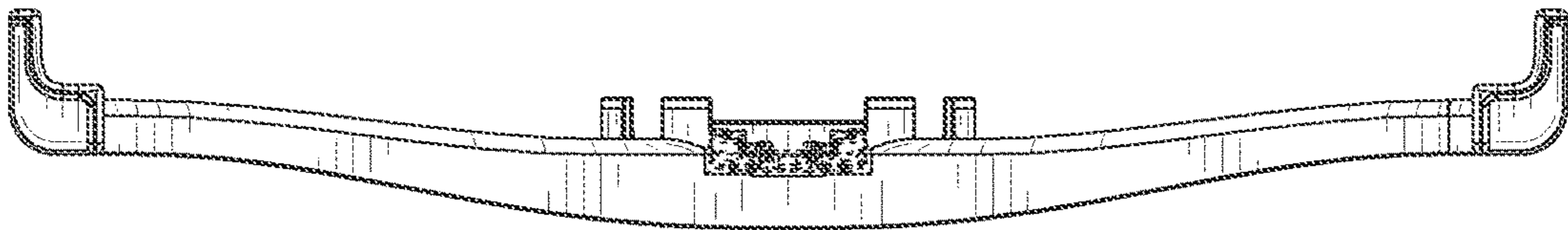


FIG. 4

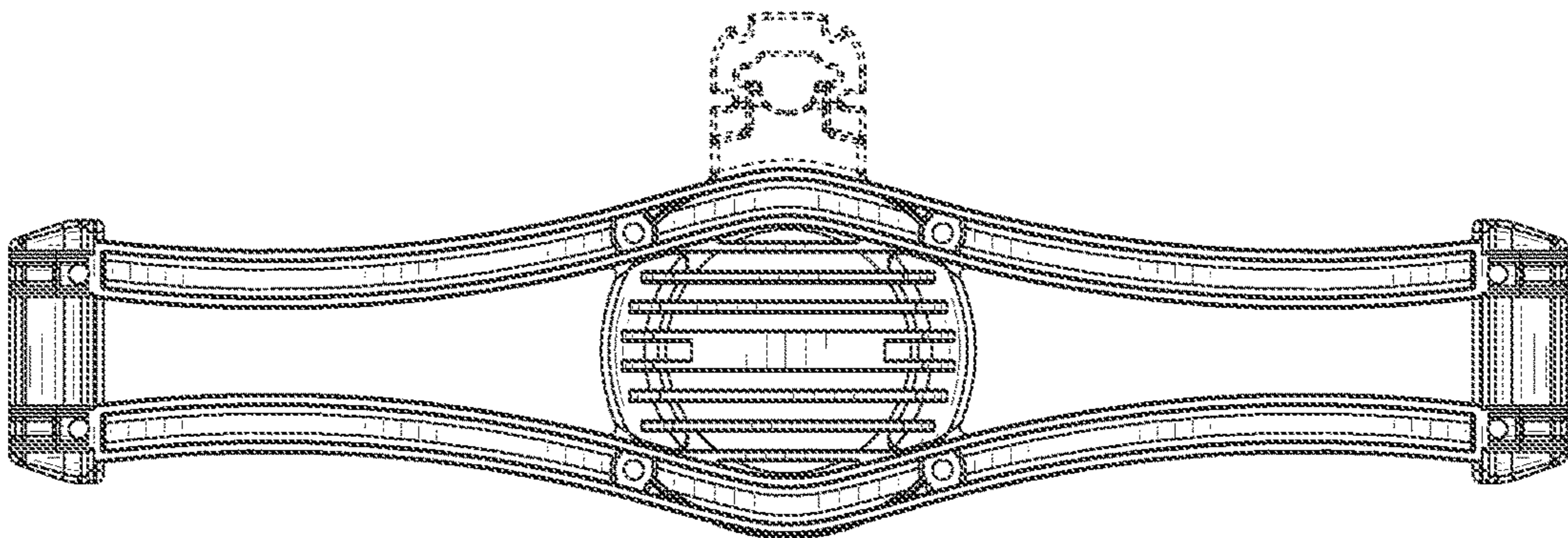


FIG. 5

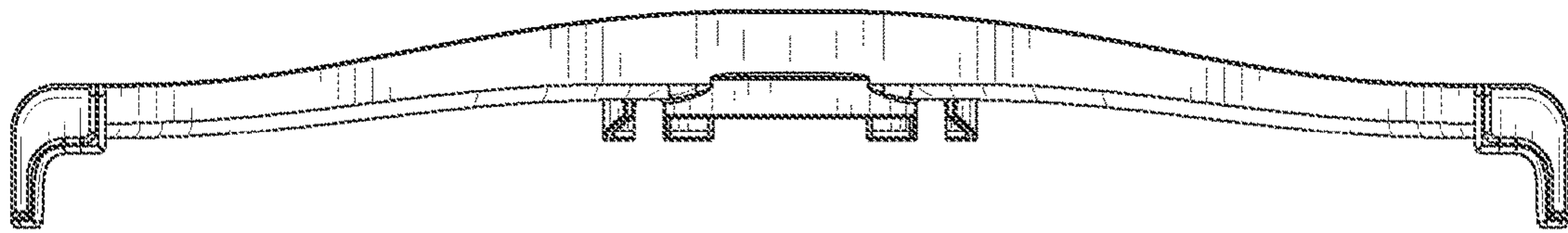


FIG. 6

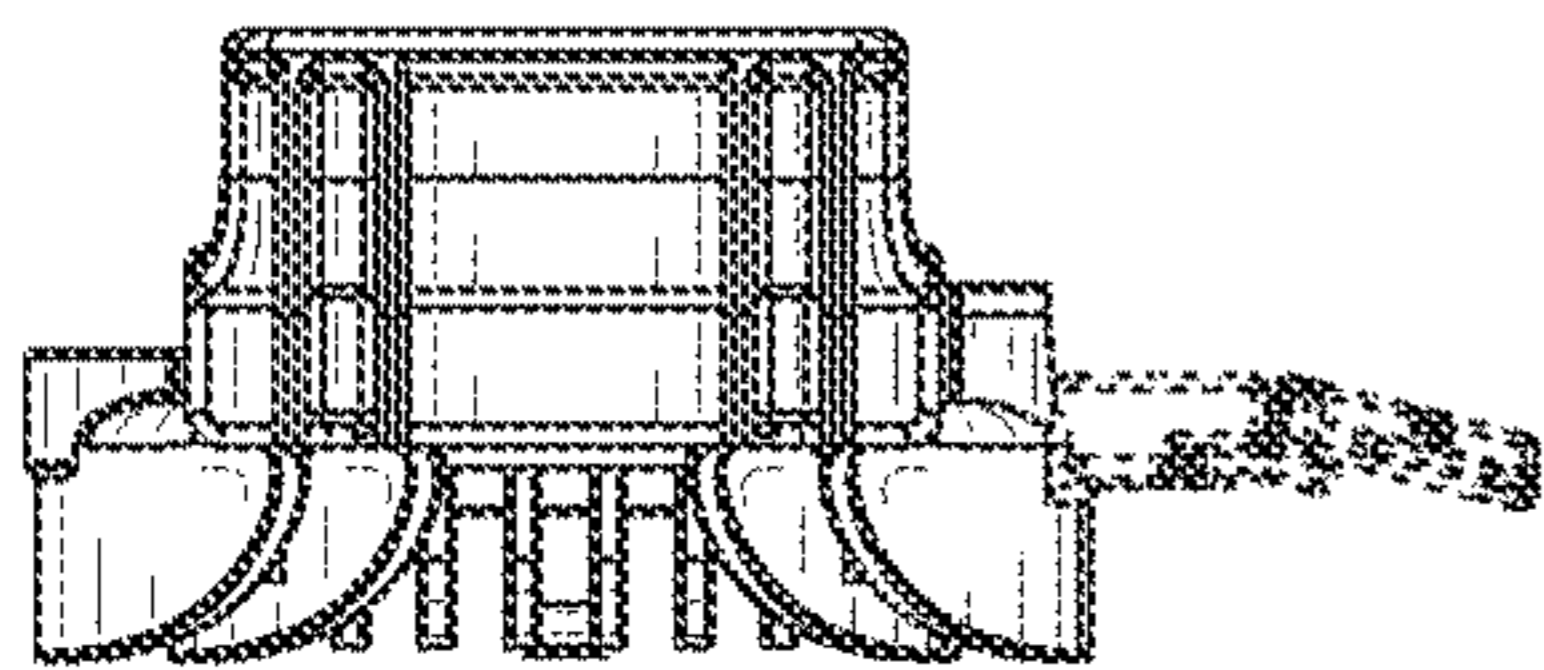


FIG. 7

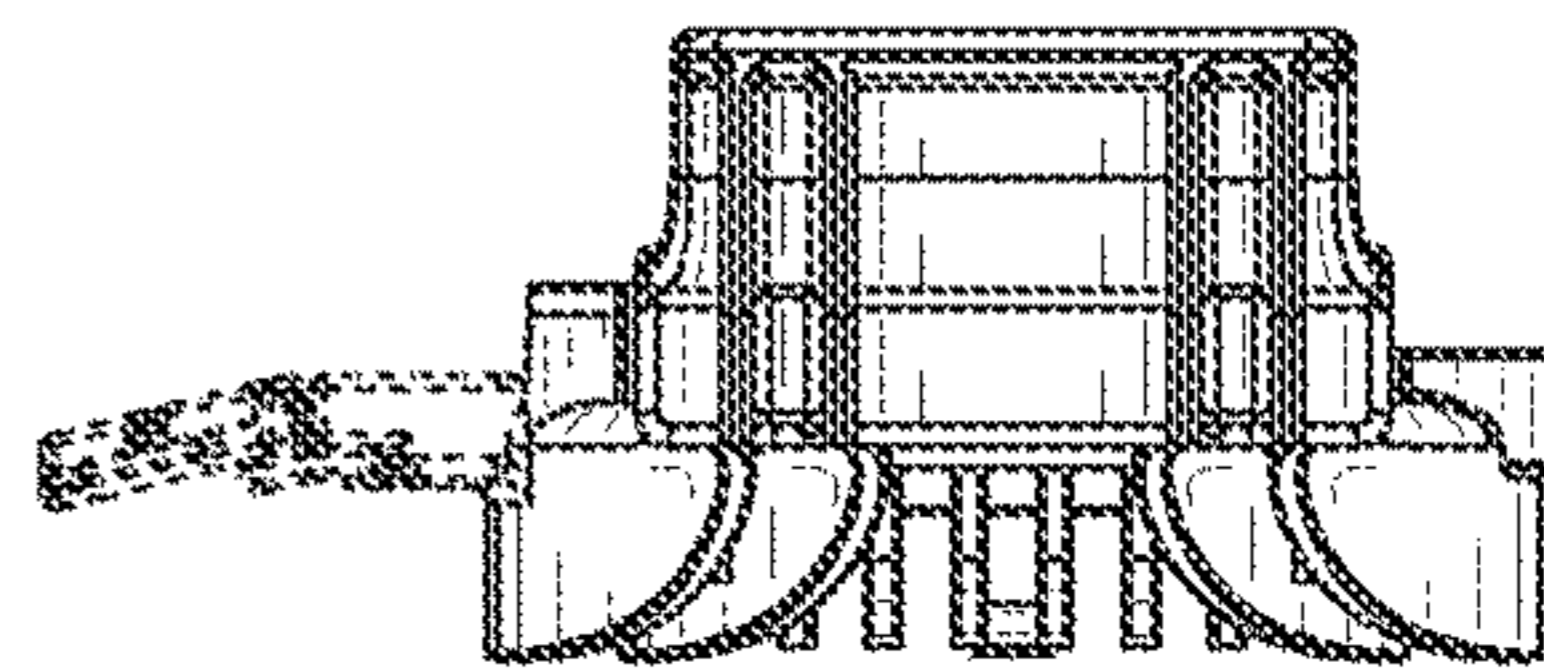


FIG. 8