



US00D834110S

(12) **United States Design Patent**
Tompkin

(10) **Patent No.:** **US D834,110 S**

(45) **Date of Patent:** **** Nov. 20, 2018**

- (54) **REMOTE CONTROL TRIKE**
- (71) Applicant: **MerchSource, LLC**, Irvine, CA (US)
- (72) Inventor: **Crispian Tompkin**, Los Angeles, CA (US)
- (73) Assignee: **MerchSource, LLC**, Irvine, CA (US)
- (**) Term: **15 Years**
- (21) Appl. No.: **29/607,705**
- (22) Filed: **Jun. 15, 2017**
- (51) **LOC (11) Cl.** **21-01**
- (52) **U.S. Cl.**
USPC **D21/550; D21/533; D21/548; D21/549**
- (58) **Field of Classification Search**
USPC D12/85, 86, 90–92, 107, 164, 173, D12/184–186, 190, 196; D21/419, 421, D21/423, 424–426, 433–434, 548, 550, D21/552, 559; 446/456; 280/124.103; 180/210, 312
CPC A63H 17/26; A63H 17/262; A63H 17/264; A63H 17/266; A63H 17/36; A63H 17/38; A63H 29/00; A63H 29/22; A63H 29/24; A63H 30/04
See application file for complete search history.

(56) **References Cited**

U.S. PATENT DOCUMENTS

- D260,871 S * 9/1981 Cargile D12/85
- D449,018 S * 10/2001 Musser D12/85
- D574,296 S * 8/2008 Keski-Luopa D12/85
- D592,547 S * 5/2009 Riley D12/85
- 7,591,337 B2 * 9/2009 Suhre B60G 3/20
180/210
- D620,539 S * 7/2010 Badanjo D21/433
- D682,158 S * 5/2013 Canni D12/85

- D689,794 S * 9/2013 Bracy D12/85
- 8,540,045 B2 * 9/2013 Hall B60G 3/20
180/210
- D705,702 S * 5/2014 Auerbach D12/92
- D771,201 S * 11/2016 Tompkin D21/550
- D777,060 S * 1/2017 Hanagan D12/85
- D788,648 S * 6/2017 Rudwal D12/110
- D796,096 S * 8/2017 Rudwal D12/107
- D796,097 S * 8/2017 Rudwal D12/107
- D803,329 S * 11/2017 Tompkin D21/550
- 2007/0075514 A1 * 4/2007 Saiki B60G 7/00
280/124.103

(Continued)

Primary Examiner — Robin V Webster

Assistant Examiner — Keith J Wilson

(74) *Attorney, Agent, or Firm* — Avyno Law P.C.

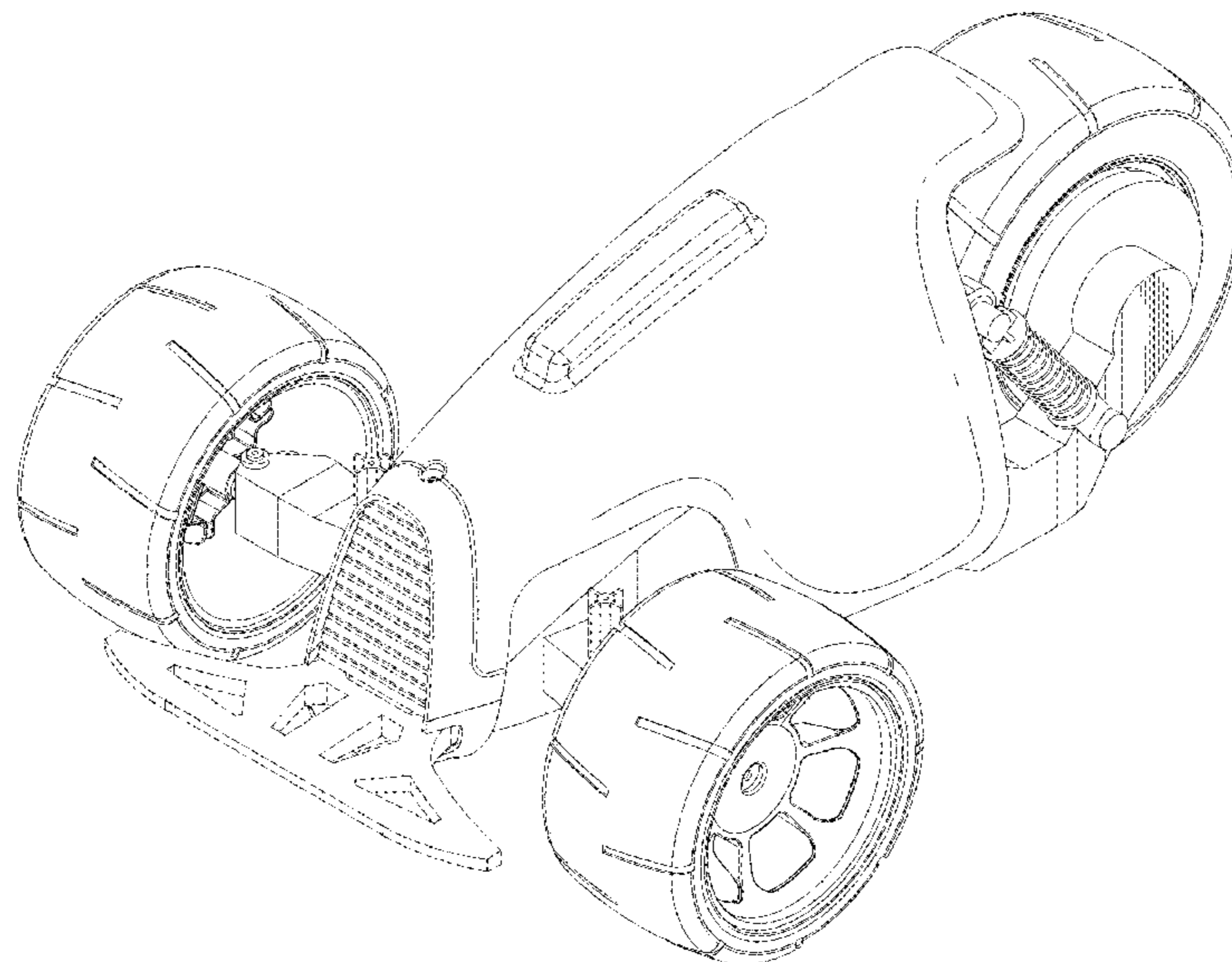
(57) **CLAIM**

I claim the ornamental design for a remote control trike, as shown and described.

DESCRIPTION

FIG. 1 is a front perspective view of a remote control trike. FIG. 2 is a rear perspective view of a remote control trike of FIG. 1. FIG. 3 is a side view of the left side of the remote control trike of FIG. 1. FIG. 4 is a side view of the right side of the remote control trike of FIG. 1. FIG. 5 is a front view of the remote control trike of FIG. 1. FIG. 6 is a rear view of the remote control trike of FIG. 1. FIG. 7 is a top view of the remote control trike of FIG. 1; and, FIG. 8 is a bottom view of the remote control trike of FIG. 1. The dashed lines in all figures represent portions of the remote control trike that form no part of the claimed design.

1 Claim, 7 Drawing Sheets



(56)

References Cited

U.S. PATENT DOCUMENTS

2007/0256882 A1* 11/2007 Bedard B62K 5/027
180/312
2011/0006498 A1* 1/2011 Mercier B62D 9/02
280/124.103
2012/0241239 A1* 9/2012 Holroyd B62K 5/05
180/210

* cited by examiner

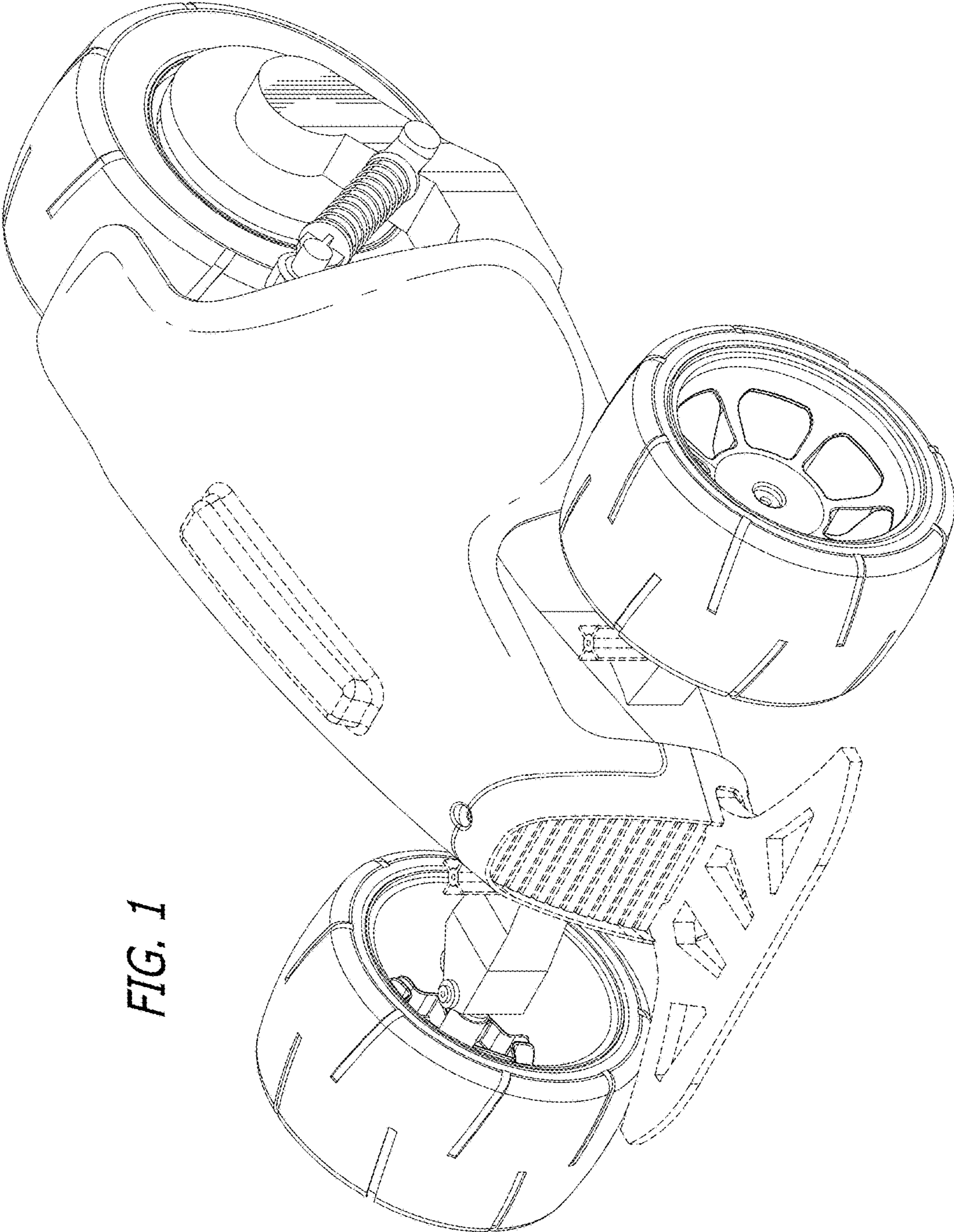
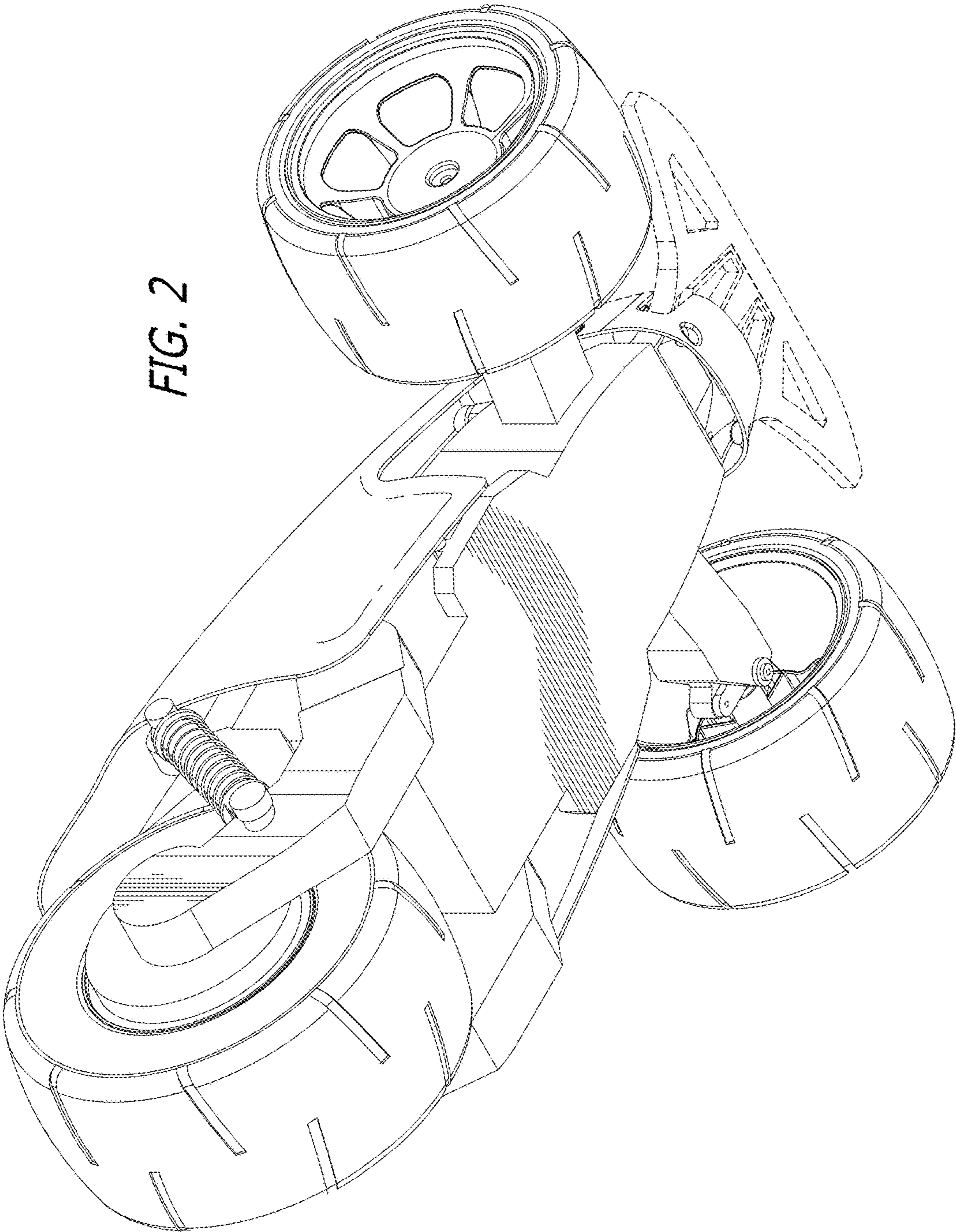


FIG. 1

FIG. 2



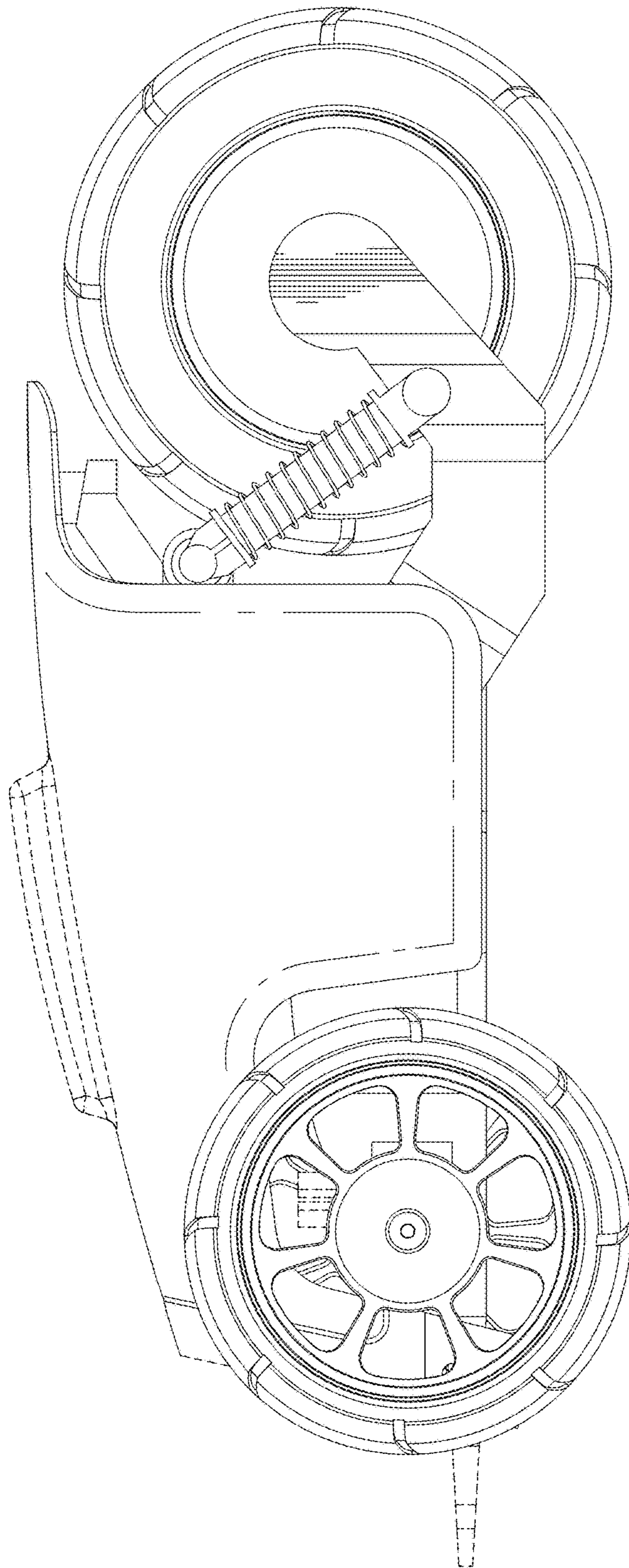


FIG. 3

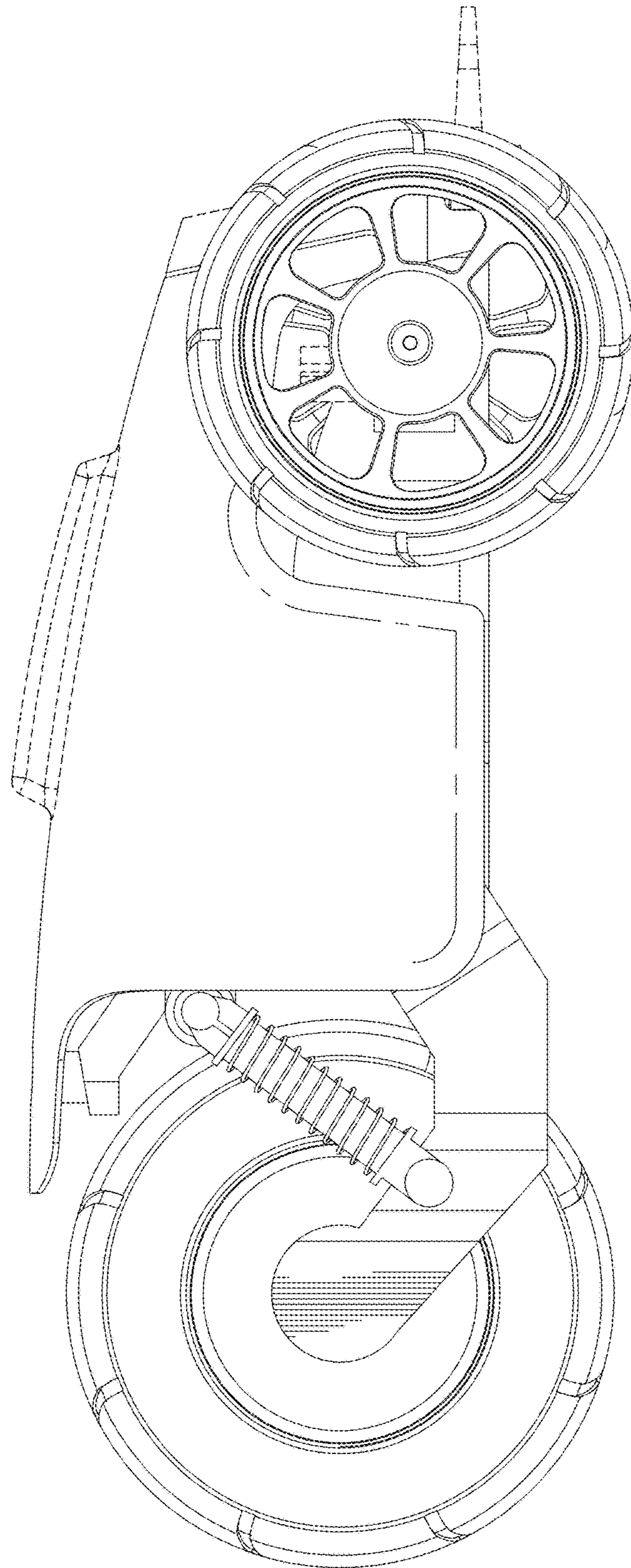


FIG. 4

FIG. 5

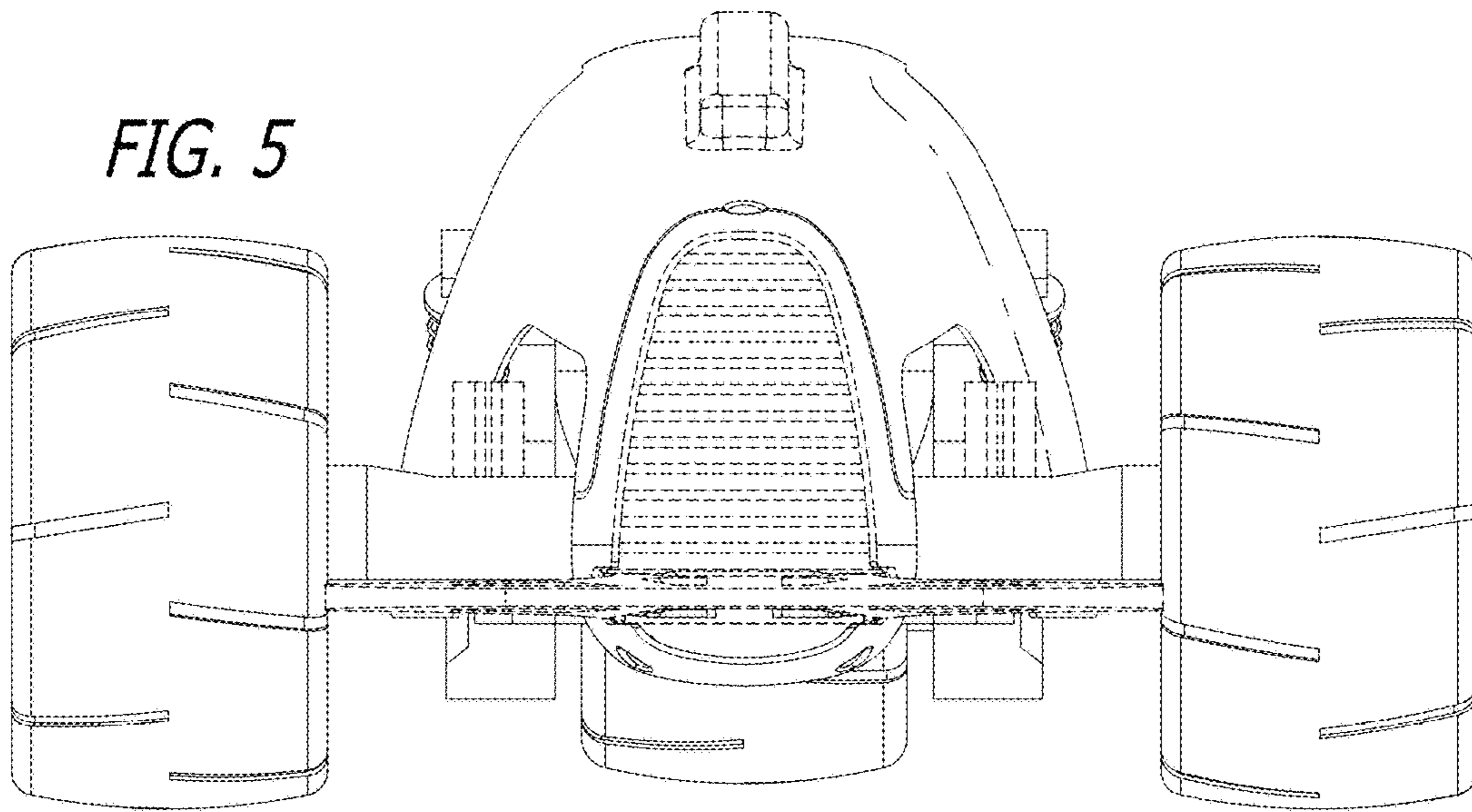


FIG. 6

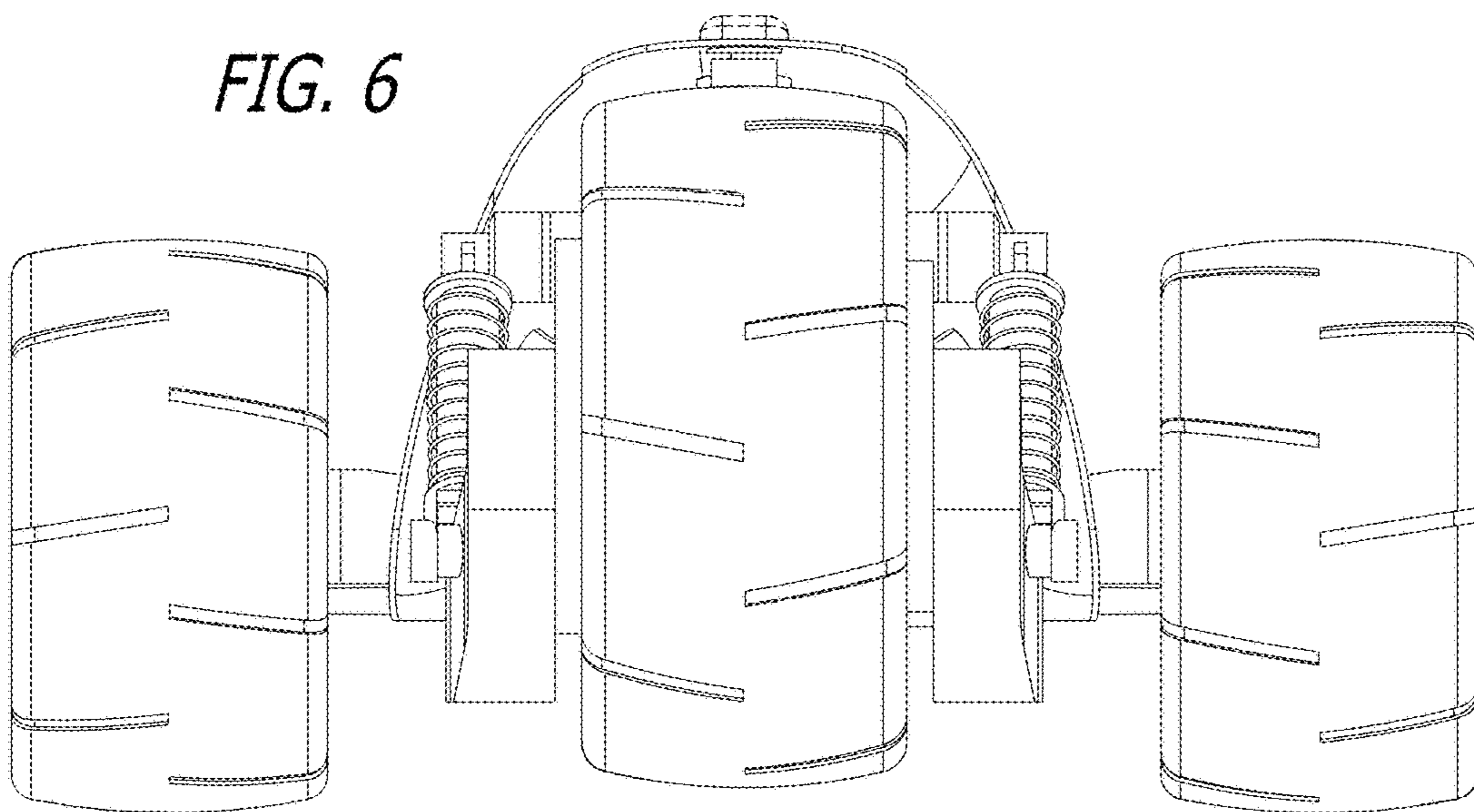


FIG. 7

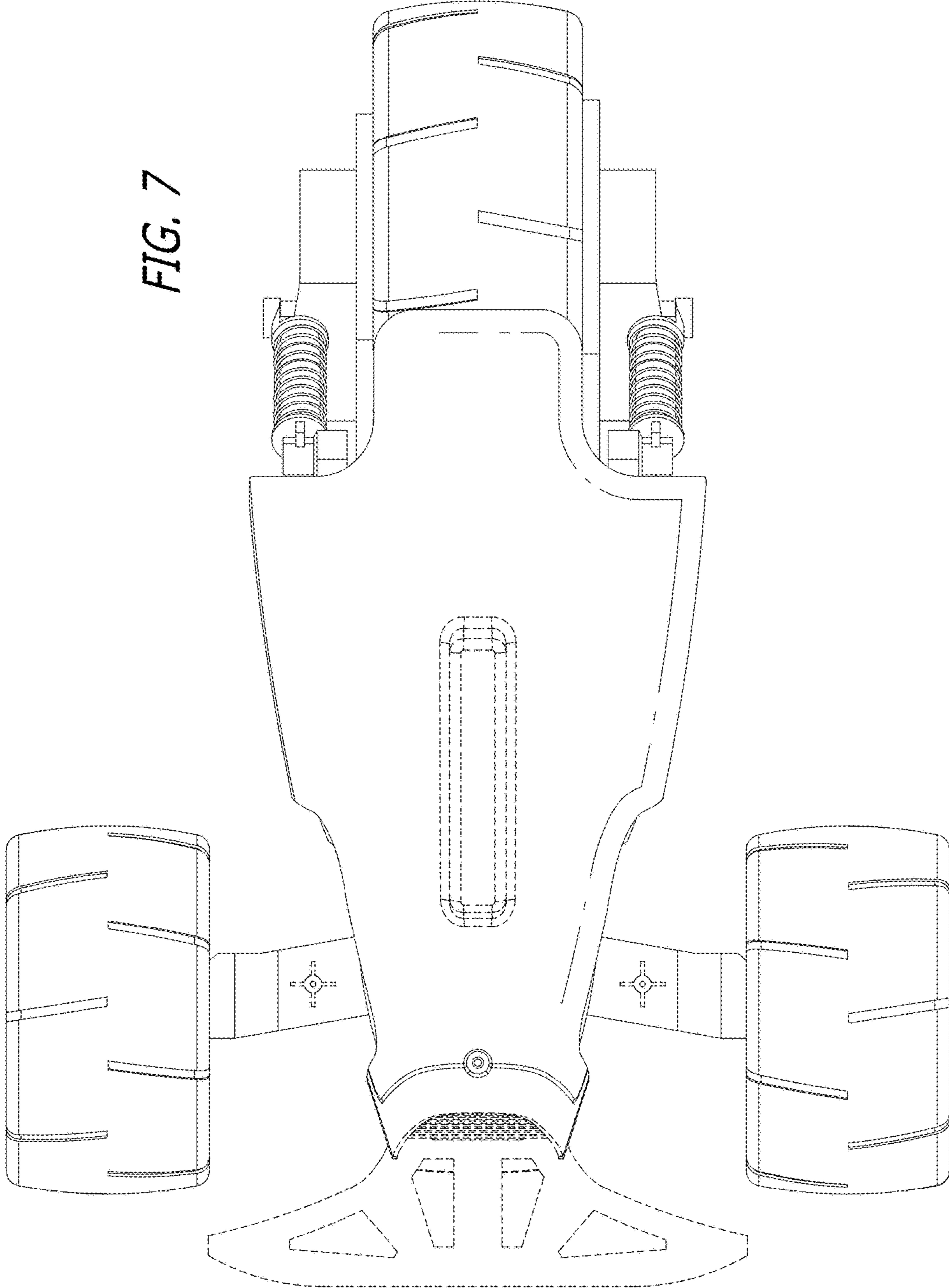


FIG. 8

