

US00D834109S

(12) **United States Design Patent** (10) **Patent No.:** **US D834,109 S**
Jenks (45) **Date of Patent:** **** Nov. 20, 2018**

(54) **TOY EXCAVATOR**
(71) Applicant: **Gary Marvin Jenks**, Canby, OR (US)
(72) Inventor: **Gary Marvin Jenks**, Canby, OR (US)

8,955,631 B2 * 2/2015 Nishimura E02F 9/0858
180/68.1
9,643,098 B2 * 5/2017 Schneider A63H 17/14
9,702,119 B2 * 7/2017 Matsuyama E02F 3/437
9,995,017 B1 * 6/2018 Howell E02F 3/435

(**) Term: **15 Years**

FOREIGN PATENT DOCUMENTS

(21) Appl. No.: **29/620,325**

CN 3558931 * 9/2006

(22) Filed: **Oct. 17, 2016**

OTHER PUBLICATIONS

(51) **LOC (11) Cl.** **21-01**

(52) **U.S. Cl.**

USPC **D21/537**; D21/528

(58) **Field of Classification Search**

USPC D21/528, 533–537, 431; D15/24–26

CPC E02F 3/28; E02F 3/42; E02F 9/20; A63H

17/14; A63H 33/048; A63H 33/32

See application file for complete search history.

Hoge Kwaliteit Voor Kinderen Trapauto Speelgoed Tractor Voor Kinderen, Alibaba website 2018, <https://dutch.alibaba.com/product-detail/high-quality-children-pedal-car-electric-toys-tract...> site visited Jul. 19, 2018.*

Google Express, CAT Digger review date Jan. 9, 2012, site visited Jul. 18, 2018, https://express.google.com/u/0/product/3430395178903044466_1334019310629040578_1...*

* cited by examiner

(56) **References Cited**

U.S. PATENT DOCUMENTS

2,498,321 A * 2/1950 White E02F 3/304
414/690
2,556,355 A * 6/1951 Worrall A63H 17/12
446/426
2,563,974 A * 8/1951 Thierry A63H 17/12
37/407
D198,461 S * 6/1964 McCoy D21/537
3,206,048 A * 9/1965 Weiss E02F 3/30
414/565
D215,166 S * 9/1969 Richardson D21/419
D228,358 S * 9/1973 Wormser et al. D21/419
4,102,461 A * 7/1978 Soyland B60K 5/00
212/253
4,275,902 A * 6/1981 Teja B66C 23/78
212/304
D267,100 S * 11/1982 Magnusson D21/431
D338,019 S * 8/1993 Bhambra D15/25
D359,769 S * 6/1995 Goncalves D21/537
D384,997 S * 10/1997 Digges D21/431
D391,272 S * 2/1998 Jin D15/24
D682,887 S * 5/2013 Iwata D15/25
D684,600 S * 6/2013 Saito D15/24

Primary Examiner — John Windmuller
Assistant Examiner — John R Yeh

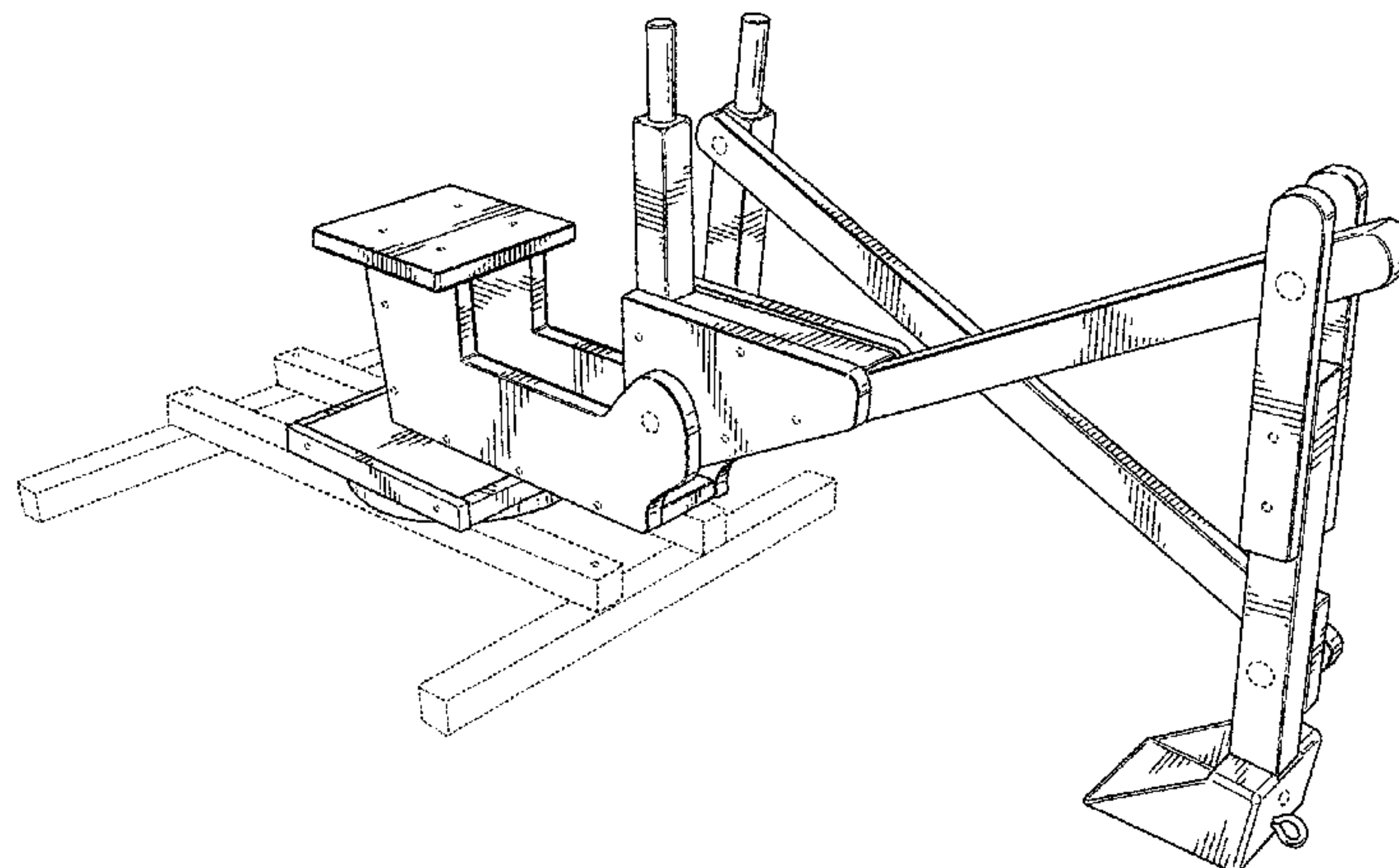
(57) **CLAIM**

I claim the ornamental design for a toy excavator, as shown and described.

DESCRIPTION

FIG. 1 is a right front perspective view for a toy excavator showing my new design;
FIG. 2 is a front elevation view thereof;
FIG. 3 is a rear elevation view thereof;
FIG. 4 is a right side elevation view thereof;
FIG. 5 is a left side elevation view thereof;
FIG. 6 is a top plan view thereof; and,
FIG. 7 is a bottom plan view thereof.
The broken lines in the figures represent portions of the toy excavator that form no part of the claimed design.

1 Claim, 7 Drawing Sheets



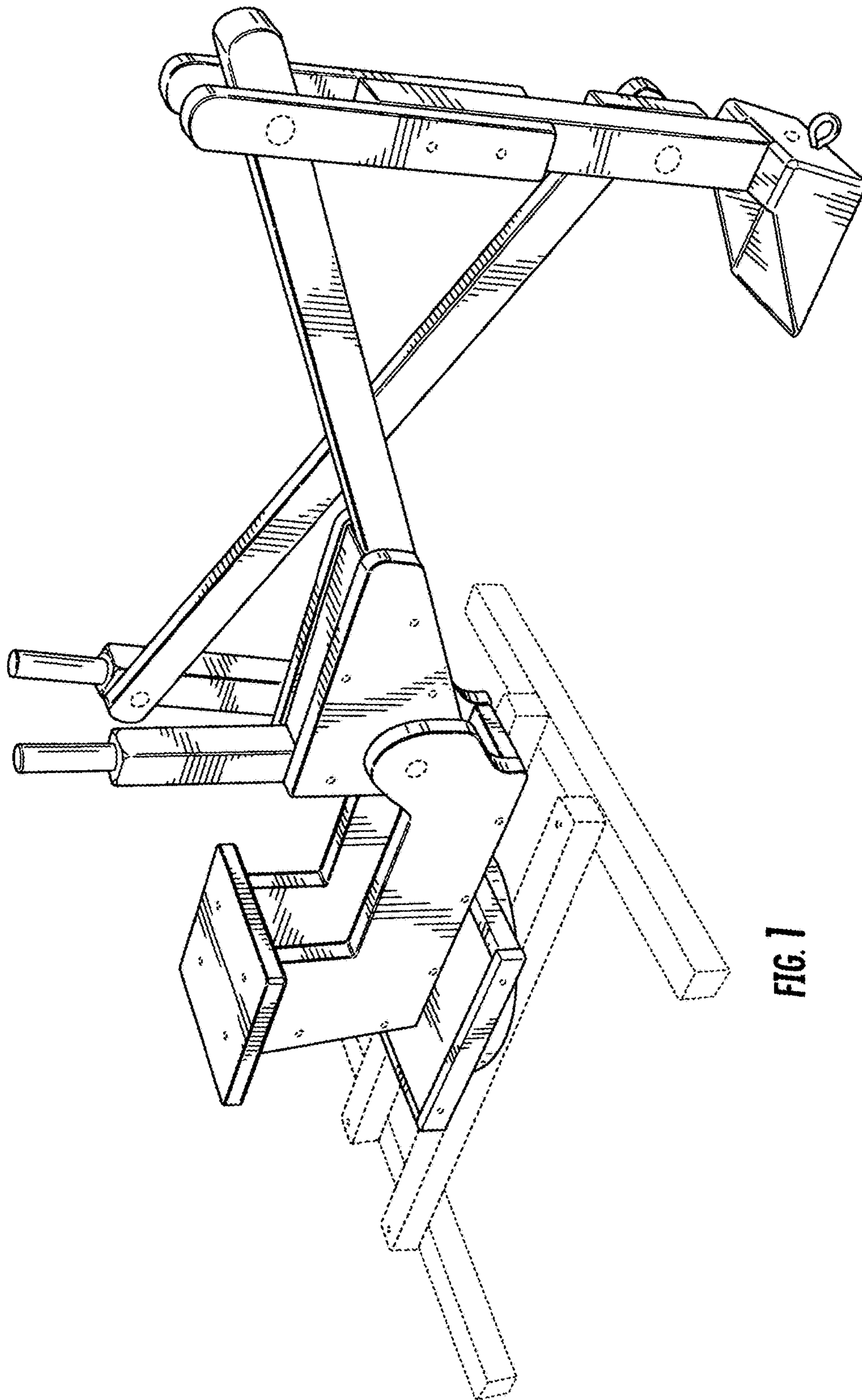


FIG. 1

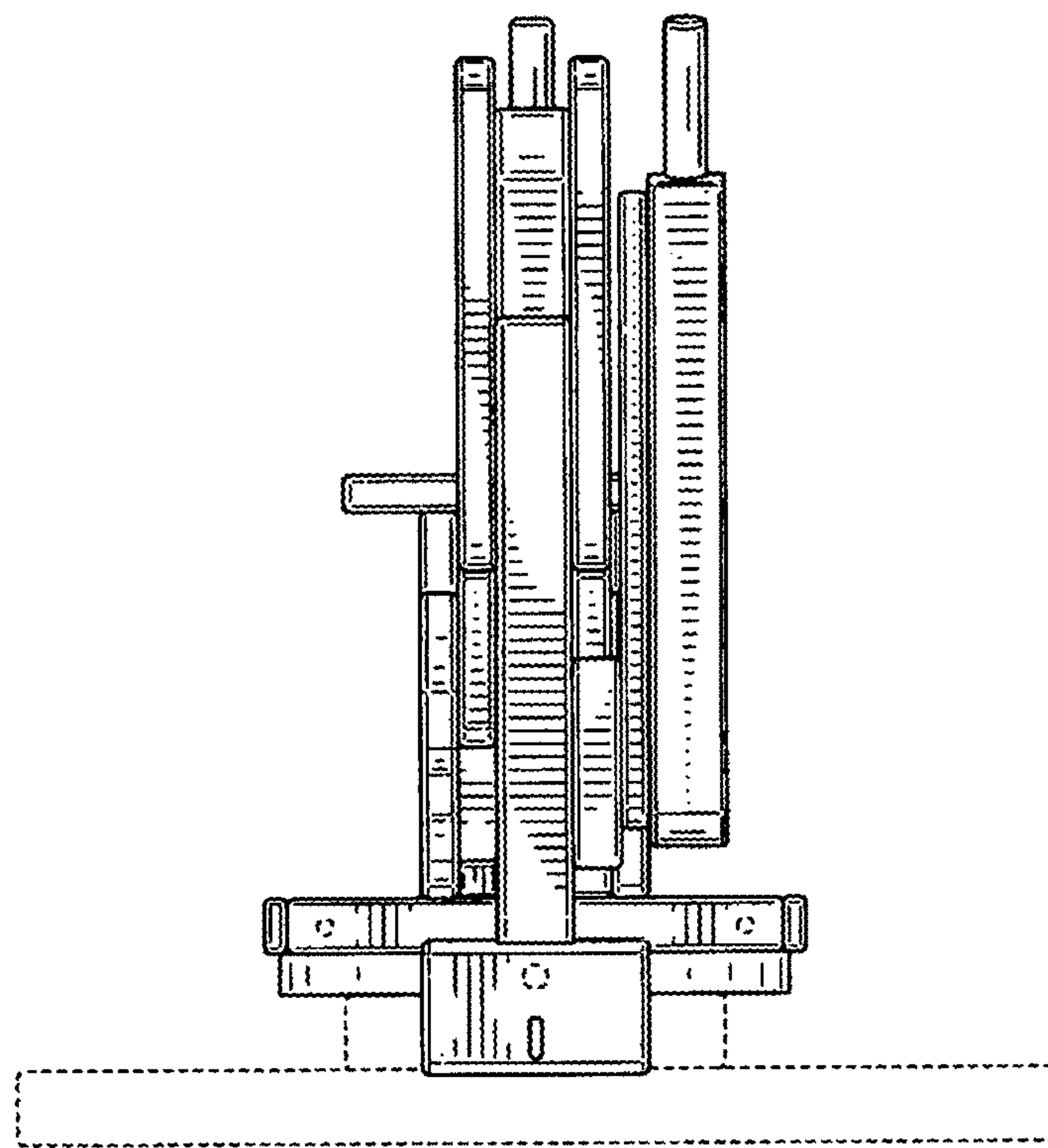


FIG. 2

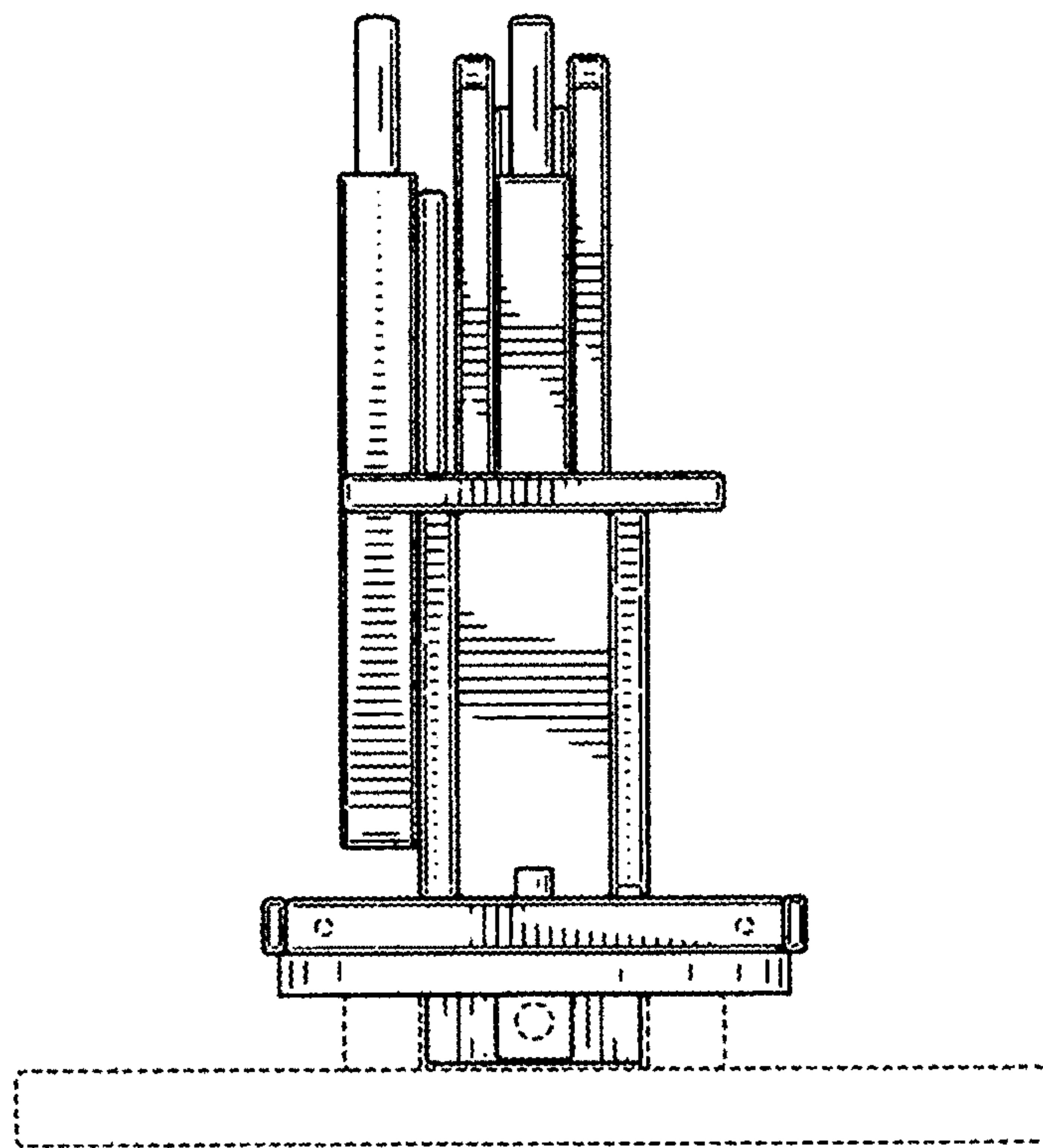


FIG. 3

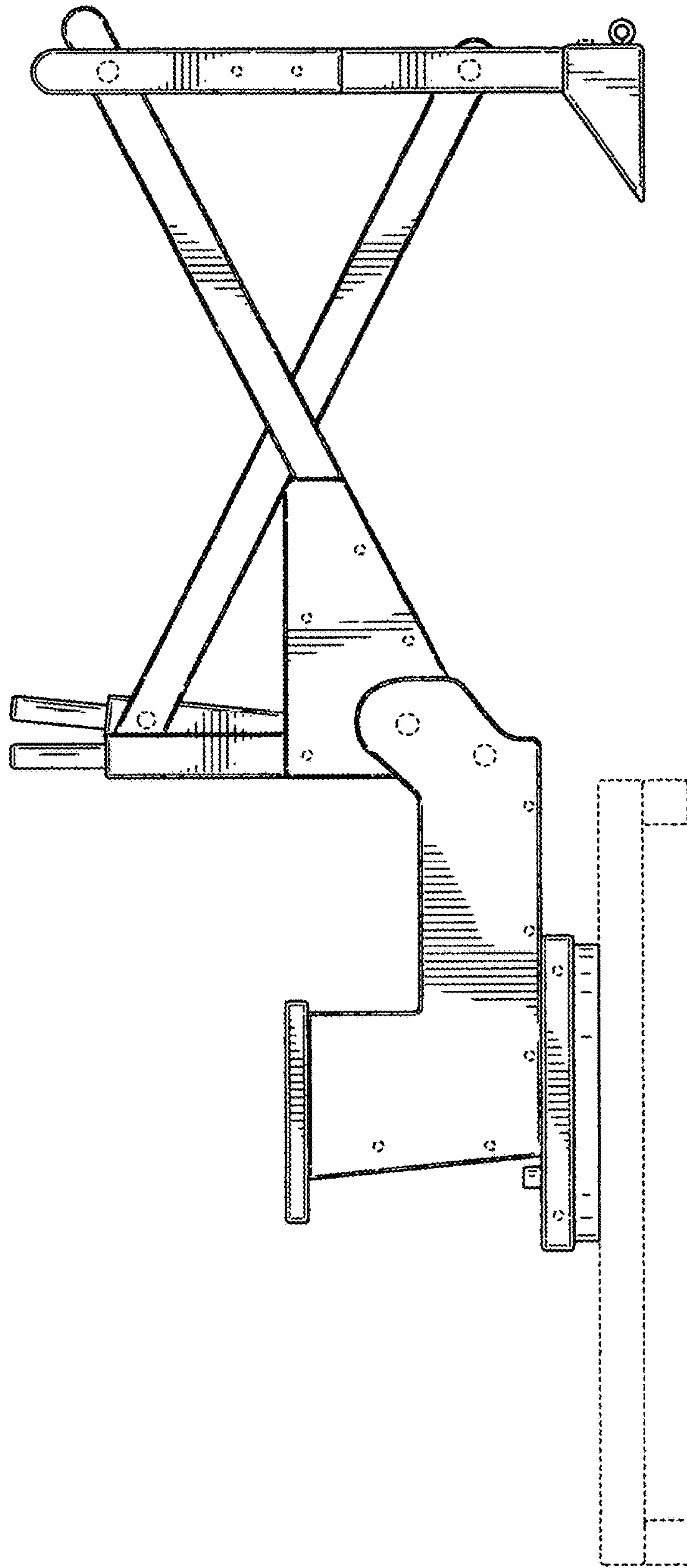


FIG. 4

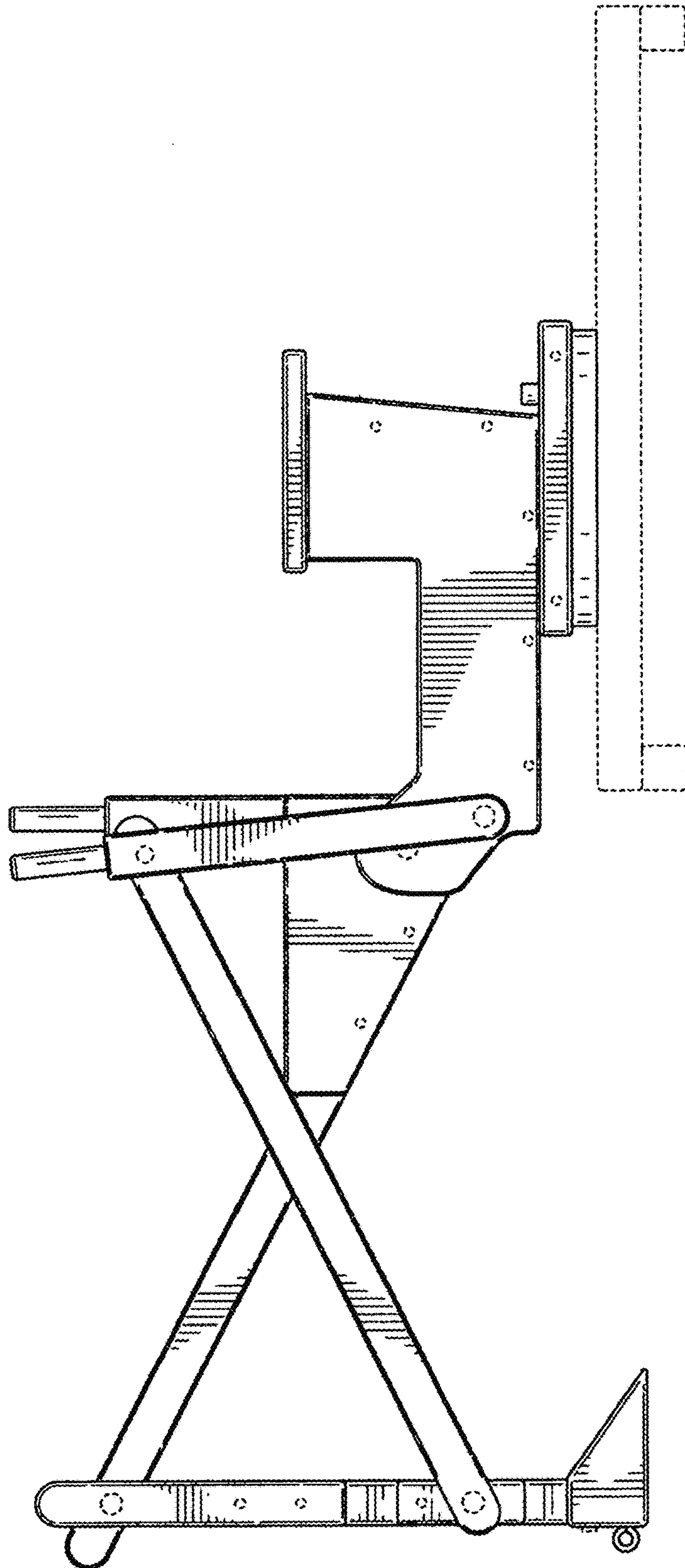


FIG. 5

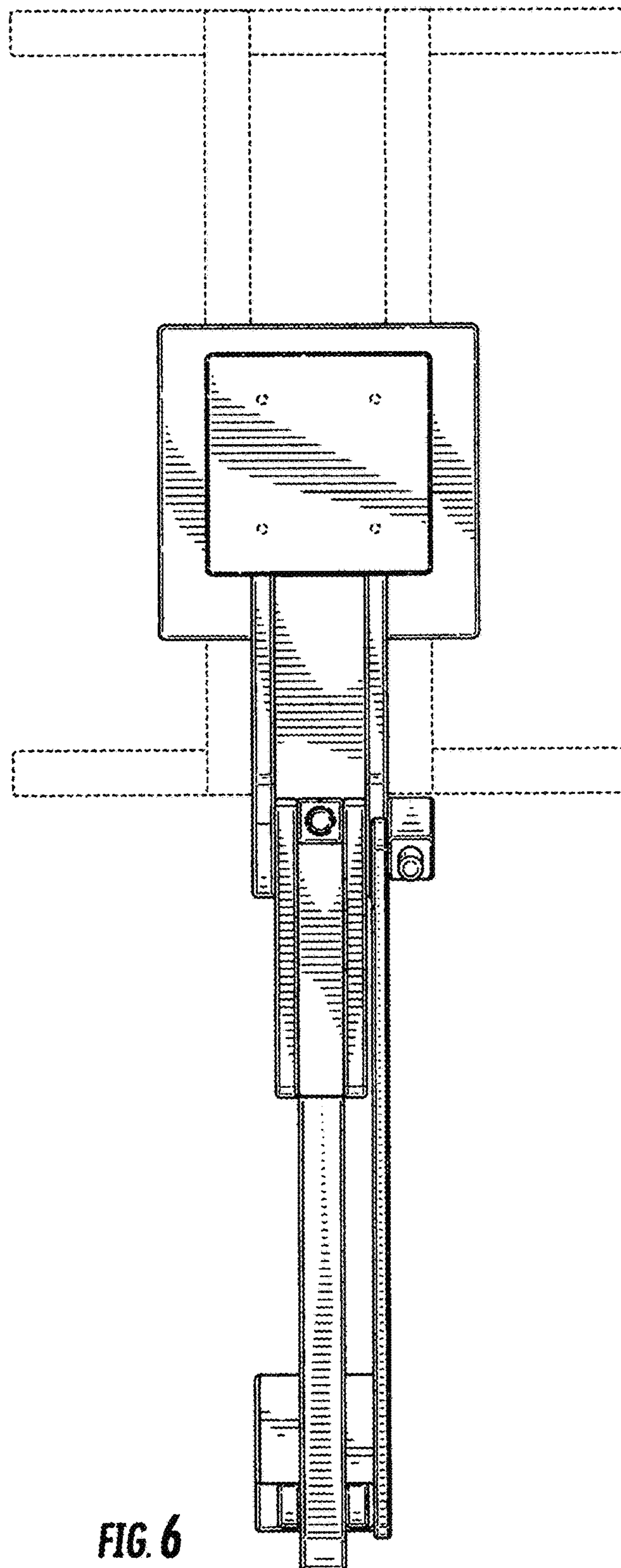


FIG. 6

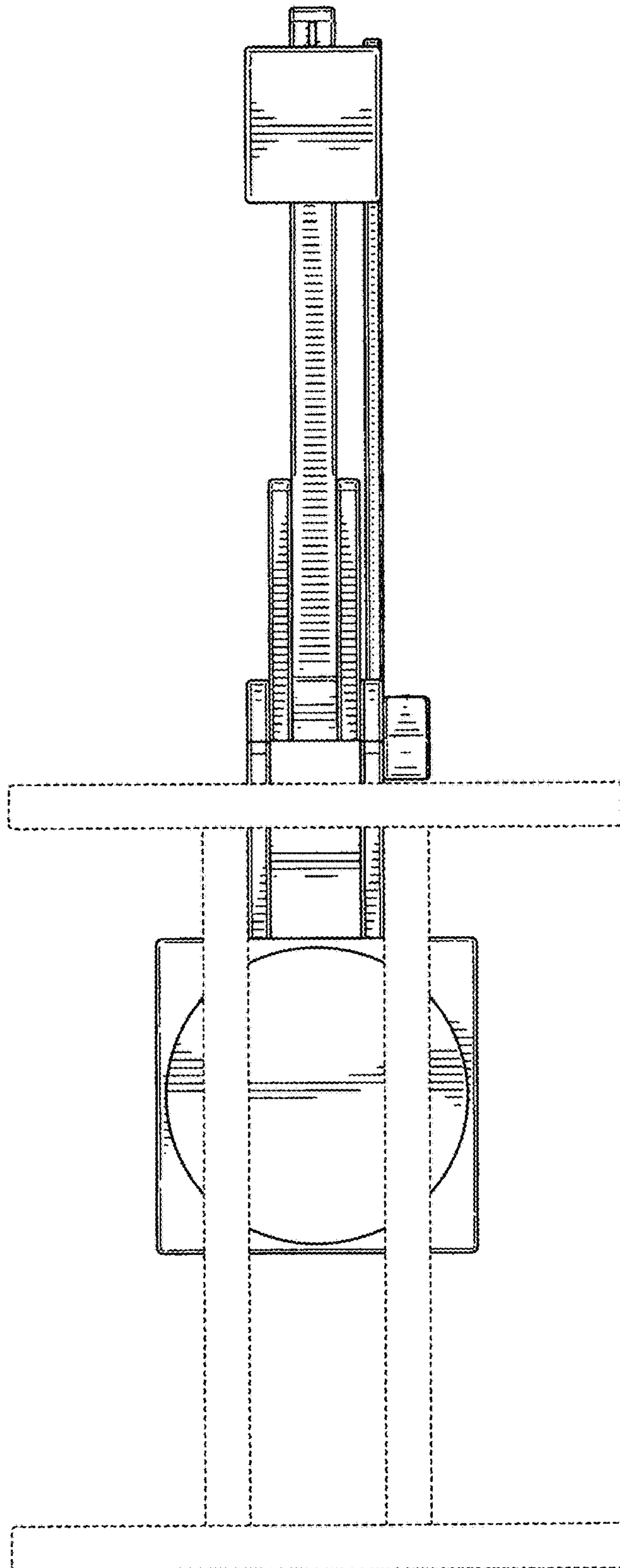


FIG. 7