



US00D834106S

(12) **United States Design Patent** (10) **Patent No.:** **US D834,106 S**
Pestel (45) **Date of Patent:** **** Nov. 20, 2018**

(54) **CONSTRUCTION SET ELEMENT**
(71) Applicant: **MEGA Brands Inc.**, Montreal (CA)
(72) Inventor: **Kevin Pestel**, Montreal (CA)
(73) Assignee: **MEGA Brands Inc.**, Montreal, Quebec (CA)

D311,938 S 11/1990 Andersen
D312,099 S 11/1990 Andersen
D314,405 S 2/1991 Pedersen et al.
D315,376 S 3/1991 Meyer
D317,482 S 6/1991 Michaelsen et al.
D317,635 S 6/1991 Eggert et al.
D319,267 S 8/1991 Hoyer et al.
D325,605 S * 4/1992 Holmstrom D21/623
(Continued)

(**) Term: **15 Years**

OTHER PUBLICATIONS

(21) Appl. No.: **29/570,784**

Excerpt of 1997 Mega Bloks Catalog, 3 pages.
(Continued)

(22) Filed: **Jul. 12, 2016**

(51) **LOC (11) Cl.** **21-01**

(52) **U.S. Cl.**

USPC **D21/488**

(58) **Field of Classification Search**

USPC D21/333, 373, 386, 389, 404, 468, 470,
D21/471, 475, 484-505; D3/304, 314;
D24/101; D9/640

CPC A63H 33/00; A63H 33/04; A63H 33/06;
A63H 33/062; A63H 33/08; A63H
33/084; A63H 33/088; A63F 9/12; A63F
9/1224

See application file for complete search history.

Primary Examiner — Cynthia M. Chin

(74) *Attorney, Agent, or Firm* — Plumsea Law Group,
LLC

(57)

CLAIM

The ornamental design for a construction set element, as shown and described.

DESCRIPTION

FIG. 1 is a top isometric perspective view of a construction set element showing the new design;

FIG. 2 is a front elevational view of the construction set element of FIG. 1;

FIG. 3 is a rear elevational view of the construction set element of FIG. 1;

FIG. 4 is a left side elevational view of the construction set element of FIG. 1;

FIG. 5 is a right side elevational view of the construction set element of FIG. 1;

FIG. 6 is a top plan view of the construction set element of FIG. 1; and,

FIG. 7 is a bottom plan view of the construction set element of FIG. 1.

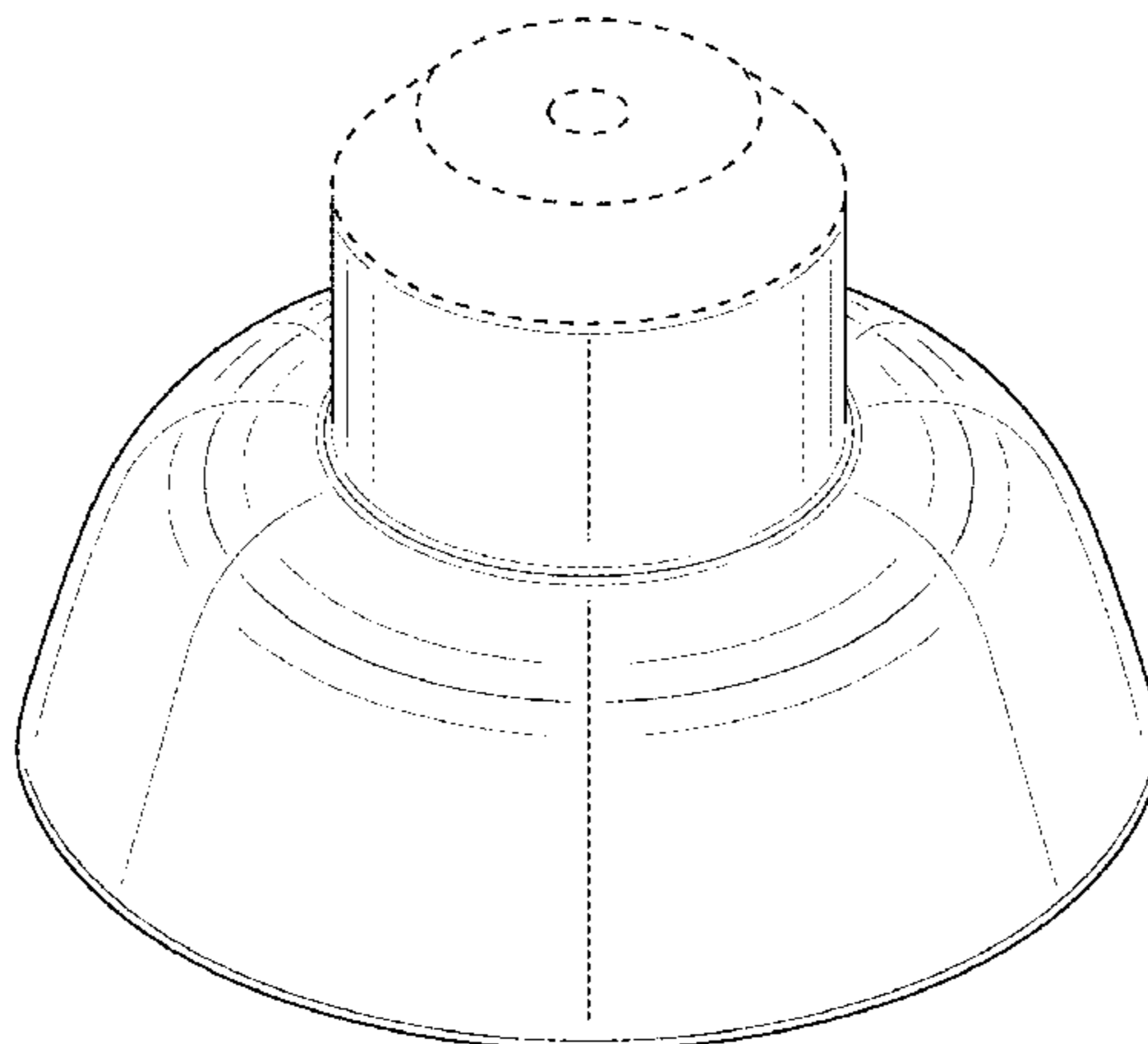
The evenly spaced broken lines and unshaded areas represent portions of the article's appearance that form no part of the claimed design.

(56) **References Cited**

U.S. PATENT DOCUMENTS

D204,286 S 4/1966 Stockton
D214,801 S * 7/1969 Adolph D21/503
D241,054 S * 8/1976 Fortier D21/498
4,037,978 A * 7/1977 Connelly F16B 7/04
403/164
4,106,657 A * 8/1978 Dogliotti A23G 1/545
220/23.4
4,203,248 A * 5/1980 Tapdrup A63H 3/16
446/118
4,205,482 A * 6/1980 Christiansen A63H 3/16
446/118
D304,042 S 10/1989 Poulsen
D308,233 S 5/1990 Fish, Jr.
D308,234 S 5/1990 Fish, Jr.

1 Claim, 7 Drawing Sheets



(56)

References Cited

U.S. PATENT DOCUMENTS

D329,068 S 9/1992 Rasmussen
 D330,056 S 10/1992 Pagel
 D332,471 S 1/1993 Rahbek
 D332,472 S 1/1993 Rahbek
 D332,644 S 1/1993 Rahbek
 D337,355 S 7/1993 Voldmester
 D337,356 S 7/1993 Voldmester
 D350,789 S 9/1994 Ryaa et al.
 D351,005 S 9/1994 Hojlund et al.
 D352,078 S * 11/1994 Bertrand D21/621
 D353,629 S 12/1994 Skov
 D354,529 S 1/1995 Skov
 D360,909 S 8/1995 Frederiksen
 D360,910 S 8/1995 Frederiksen
 D361,100 S 8/1995 Skov et al.
 D362,474 S 9/1995 Voldmester et al.
 D363,095 S 10/1995 Voldmester
 D364,562 S 11/1995 Pedersen-Rask
 D366,076 S * 1/1996 Pedersen D21/621
 D377,061 S * 12/1996 Gabriel D21/498
 D384,989 S 10/1997 Andersen
 5,674,103 A 10/1997 Bean
 D395,926 S * 7/1998 Lassen D21/484
 D396,639 S 8/1998 Pedersen-Rask
 5,839,938 A * 11/1998 Manthei A63H 33/10
 446/120
 5,846,113 A * 12/1998 Nielsen A63H 33/086
 446/85
 5,848,927 A * 12/1998 Frederiksen A63H 33/086
 446/128
 D403,721 S * 1/1999 Bean D21/499
 D405,482 S 2/1999 Nielsen
 D408,872 S 4/1999 Frederiksen
 D409,258 S 5/1999 Toft
 D411,262 S 6/1999 Toft
 D420,062 S * 2/2000 Glickman D21/503
 6,102,766 A * 8/2000 Leadbetter A63H 33/086
 446/124
 6,132,281 A 10/2000 Klitsner et al.
 D434,812 S * 12/2000 Lehn Høeg D21/487
 6,162,108 A * 12/2000 Frederiksen A63H 33/086
 446/102
 D437,895 S * 2/2001 Sorensen D21/504
 6,200,187 B1 3/2001 Olsen et al.
 D455,463 S 4/2002 Martin et al.
 D456,048 S 4/2002 Sorensen
 D464,381 S 10/2002 Sorensen
 6,679,750 B1 * 1/2004 Nielsen A63H 7/00
 446/278
 6,702,642 B1 * 3/2004 Parein A63H 33/08
 446/105
 D512,748 S 12/2005 Hageman
 D537,484 S 2/2007 Ganderton
 D546,902 S 7/2007 Ganderton
 D550,784 S 9/2007 Glickman et al.

D552,190 S 10/2007 Glickman et al.
 D562,412 S 2/2008 Tremblay et al.
 D587,765 S 3/2009 Dawes
 7,658,662 B2 2/2010 Tremblay et al.
 D611,108 S * 3/2010 Bodin D21/621
 D614,707 S 4/2010 Ryaa
 D641,054 S 7/2011 Clausen
 D647,698 S 11/2011 Cally
 D647,699 S 11/2011 Cally
 D660,597 S 5/2012 Leblanc
 D667,508 S 9/2012 Frederiksen
 D676,653 S 2/2013 Leblanc
 D680,176 S 4/2013 Chin
 D681,330 S 5/2013 Leblanc
 D684,364 S 6/2013 Leblanc
 D684,770 S 6/2013 Leblanc
 D688,335 S * 8/2013 Stosiak D21/659
 D689,954 S 9/2013 Rya
 D689,957 S 9/2013 Jensen
 8,528,489 B2 9/2013 Roy et al.
 D699,439 S 2/2014 Leblanc
 D699,441 S 2/2014 Leblanc
 D699,442 S 2/2014 Leblanc
 D700,248 S 2/2014 Proulx et al.
 D701,921 S 4/2014 Andersen
 D707,554 S 6/2014 Lavoie
 D753,773 S * 4/2016 Kim D21/487
 D753,774 S 4/2016 Proulx et al.
 D809,895 S * 2/2018 Frantz D8/330
 2009/0215357 A1 * 8/2009 Seligman A63H 33/042
 446/127
 2010/0151765 A1 * 6/2010 Kwak A63H 33/08
 446/124
 2010/0210172 A1 * 8/2010 Worthington A63H 33/086
 446/124
 2014/0227936 A1 * 8/2014 Botterill A63H 33/04
 446/99

OTHER PUBLICATIONS

Excerpt of 2009 Mega Bloks Catalog, 16 pages.
 Excerpt of 2011 Mega Bloks Catalog, 12 pages.
 Excerpt of 2012 Mega Bloks Catalog, 22 pages.
 Excerpt of 2013 Mega Bloks Catalog, 3 pages.
 Office Action dated Dec. 4, 2015 in Design U.S. Appl. No. 29/515,645.
 Office Action dated Dec. 1, 2015 in Design U.S. Appl. No. 29/515,647.
 “Duplo Primo Storage Cannister Lid Dome with Bear Pattern.”
 Lego Part 4101304p01, 2 pages, first produced 1996 according to:
 <URL: <http://www.peeron.com/inv/parts/4101301p01>>.
 “Cylinder 2 × 2 × 1 & 2/3 with Dome Top.” Lego Part 30151, 3
 pages, first produced 1998 according to: <URL: <http://www.peeron.com/inv/parts/30151>>.
 “Cylinder 2 × 2 with Dome Top.” Lego Part 553, 5 pages, first
 produced 1999 according to: <URL: <http://www.peeron.com/inv/parts/553>>.

* cited by examiner

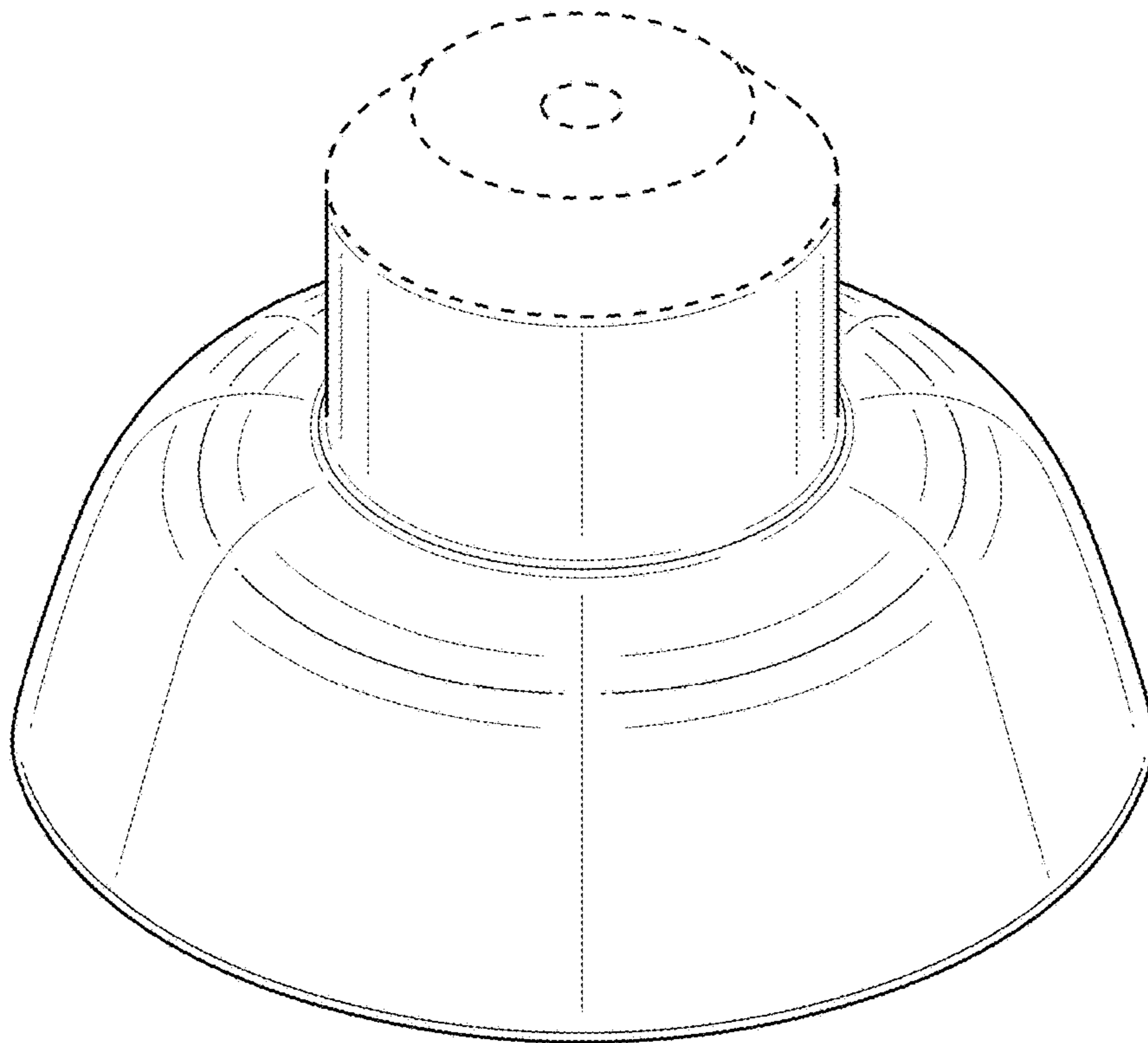


FIG. 1

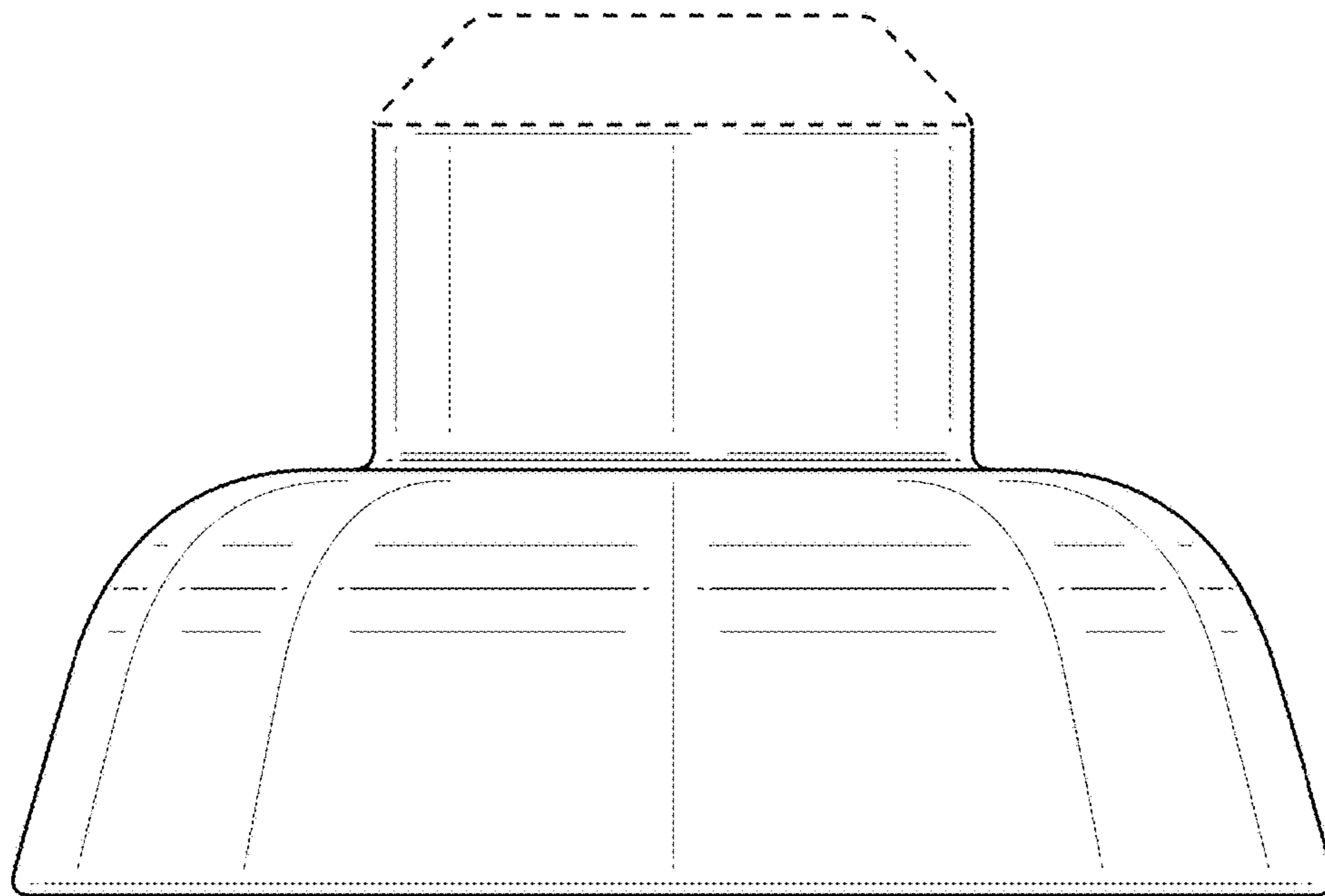


FIG. 2

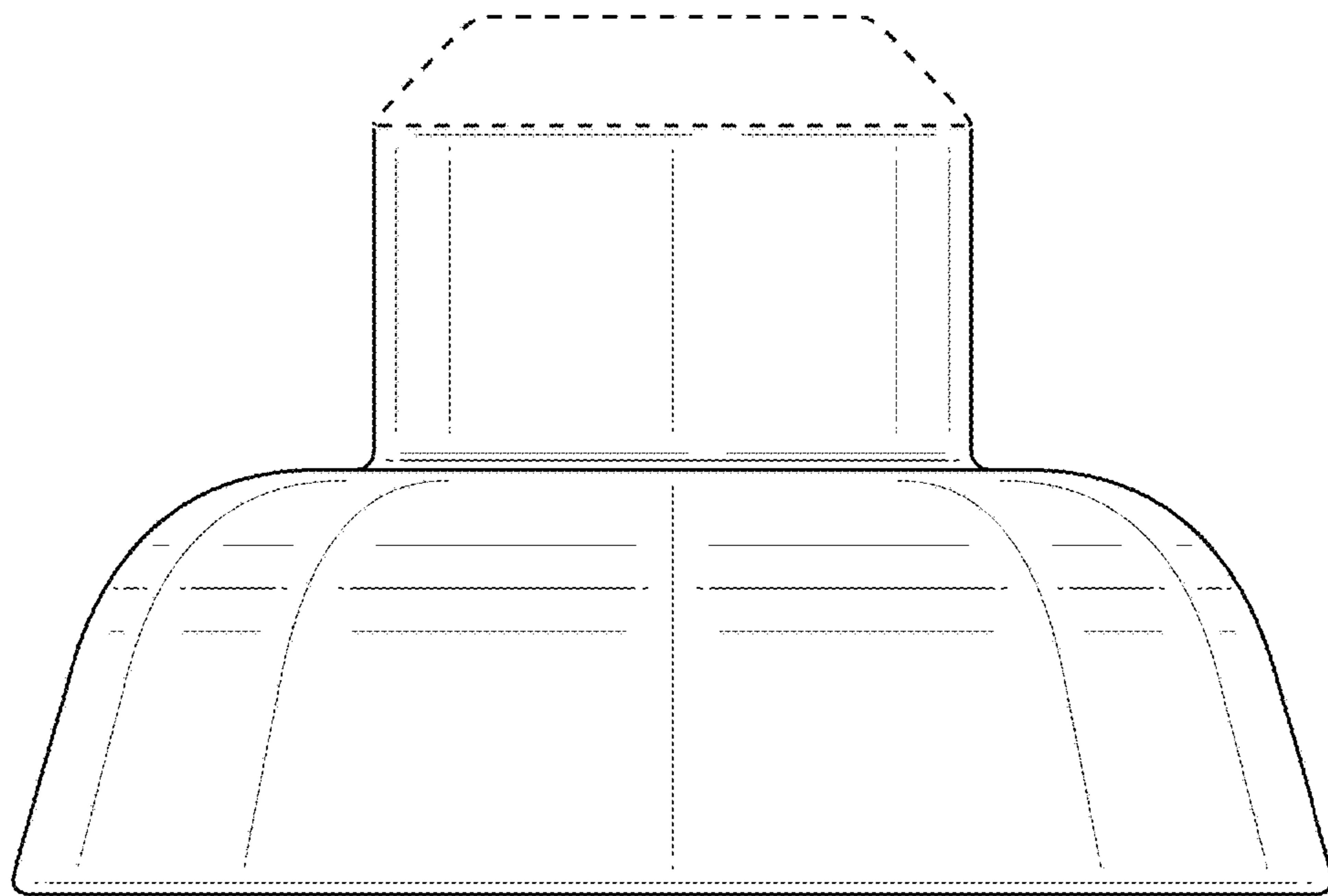


FIG. 3

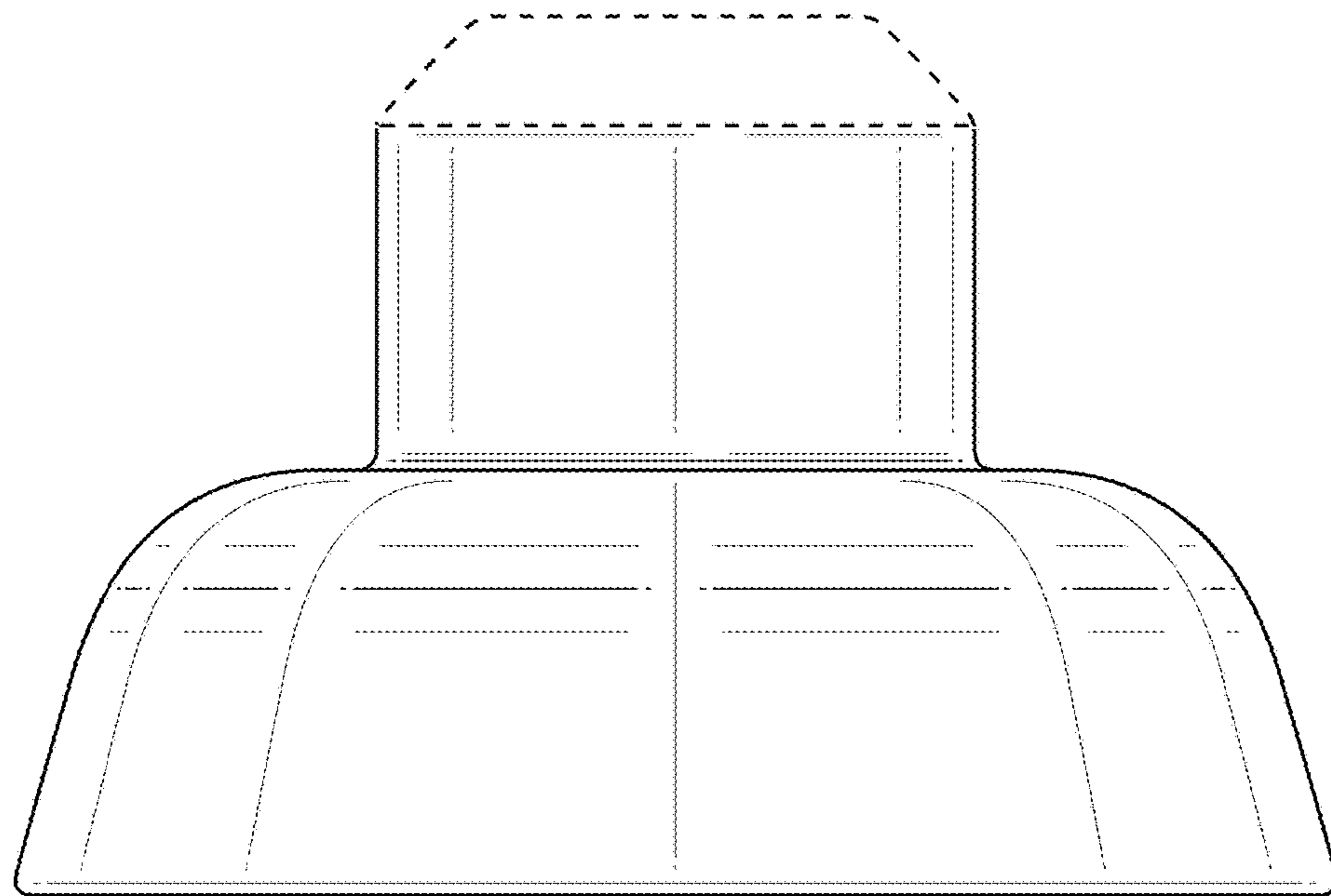


FIG. 4

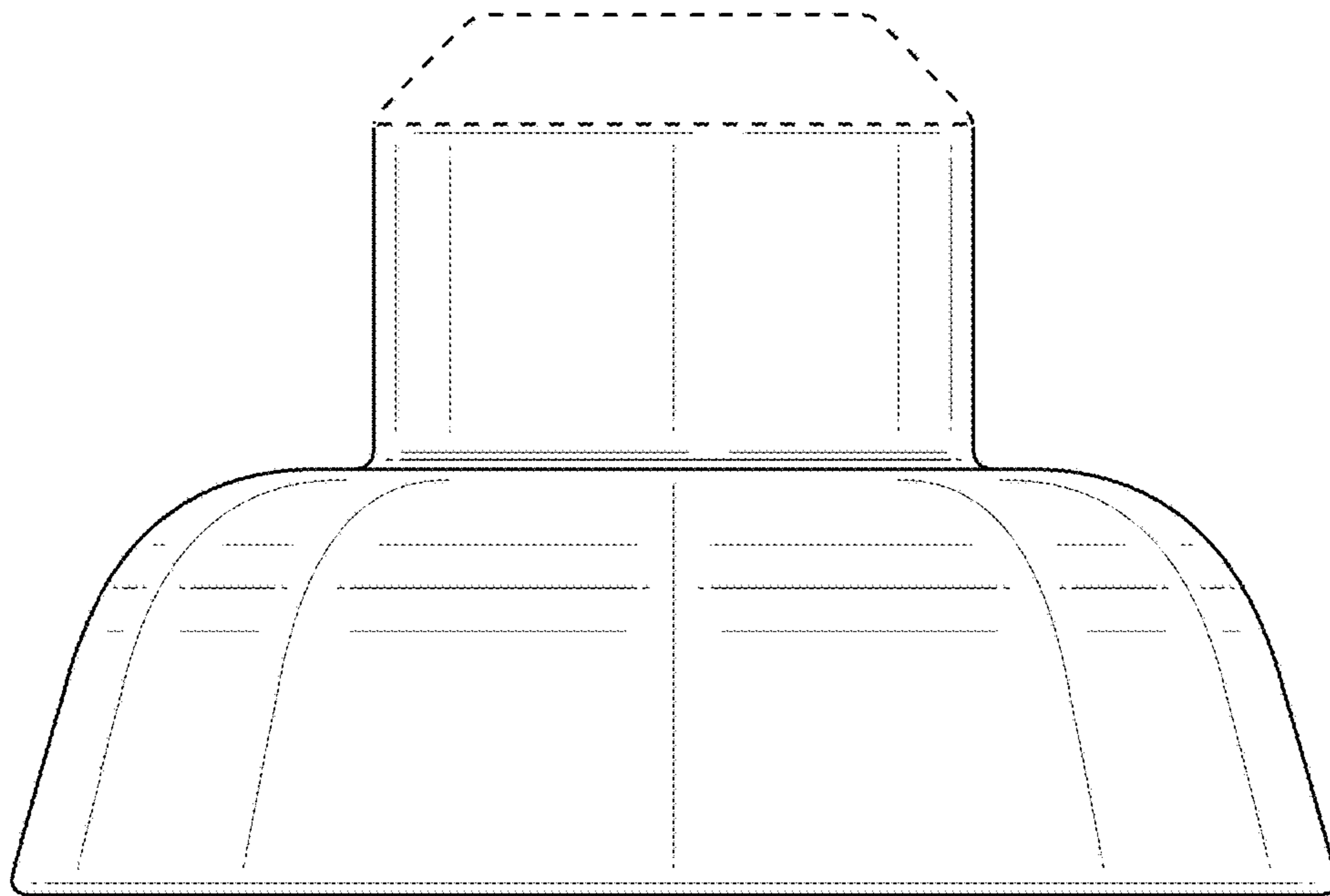


FIG. 5

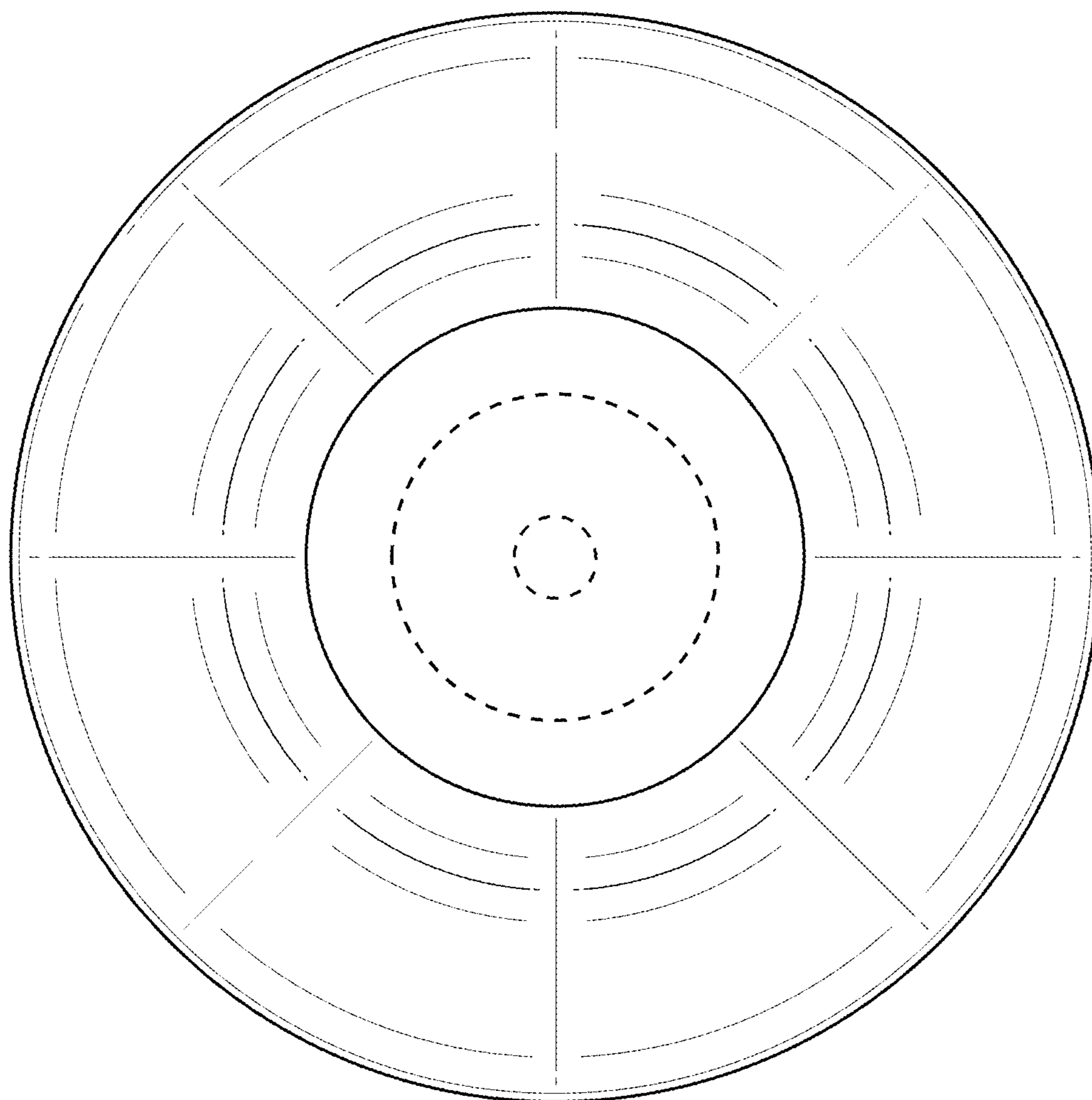


FIG. 6

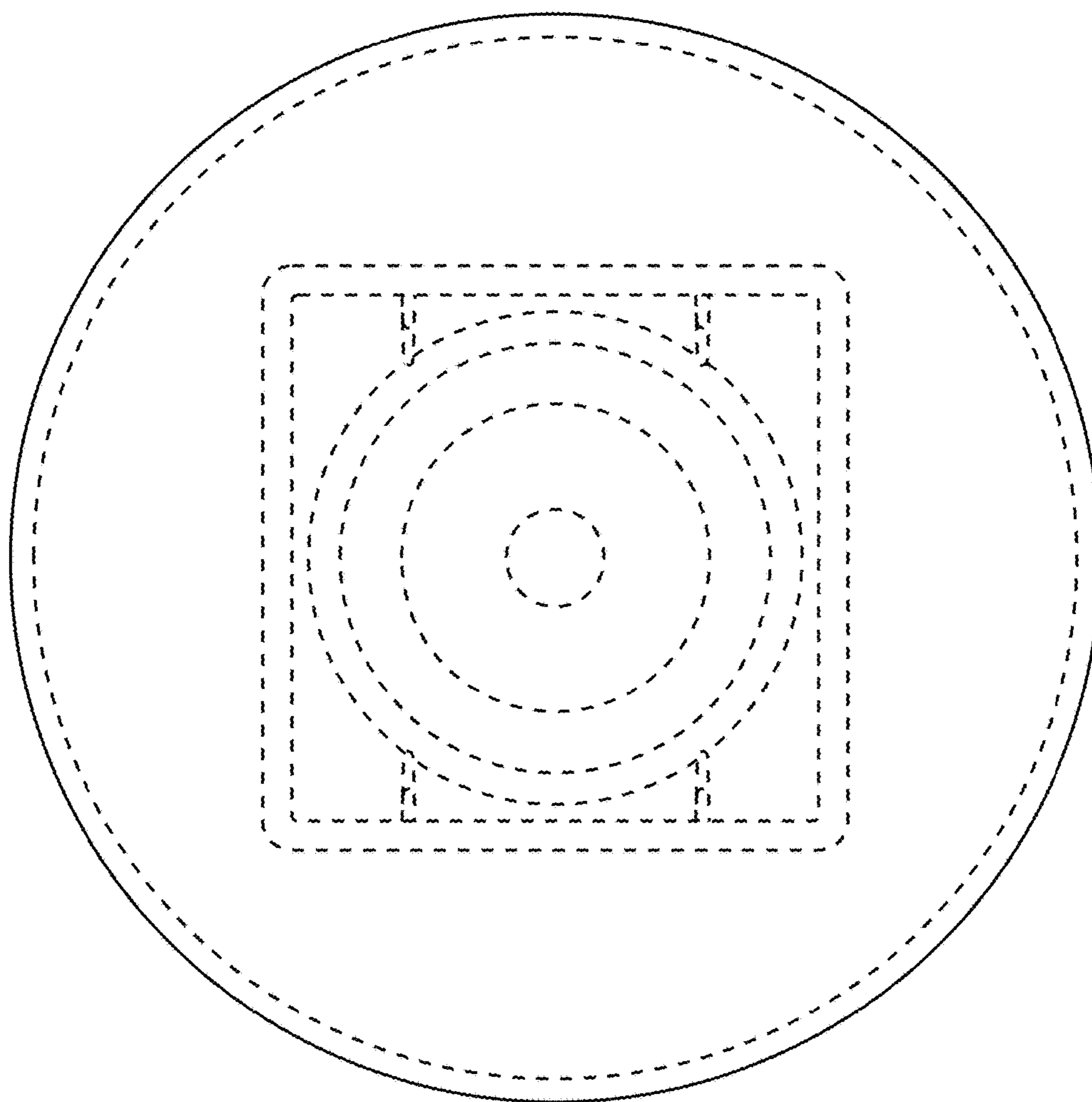


FIG. 7