



US00D834102S

(12) **United States Design Patent**  
**Muraki et al.**

(10) **Patent No.:** **US D834,102 S**  
(45) **Date of Patent:** **\*\* Nov. 20, 2018**

(54) **SPINNING TOP TOY**

**DESCRIPTION**

(71) Applicant: **TOMY COMPANY, LTD.**, Tokyo (JP)

(72) Inventors: **Makoto Muraki**, Tokyo (JP); **Hiroyuki Matsukawa**, Tokyo (JP)

(73) Assignee: **TOMY COMPANY, LTD.**, Tokyo (JP)

(\*\*) Term: **15 Years**

(21) Appl. No.: **29/539,877**

(22) Filed: **Sep. 18, 2015**

(30) **Foreign Application Priority Data**

Mar. 20, 2015 (JP) ..... 2015-005958

(51) **LOC (11) Cl.** ..... **21-01**

(52) **U.S. Cl.**  
USPC ..... **D21/460**

(58) **Field of Classification Search**  
USPC ..... D21/436, 441, 443, 444, 455, 460-464;  
446/236-266

(Continued)

(56) **References Cited**

**U.S. PATENT DOCUMENTS**

D50,980 S \* 7/1917 Barbalich ..... 446/256  
D614,245 S \* 4/2010 Ujita ..... D21/460

(Continued)

**FOREIGN PATENT DOCUMENTS**

CA 2857579 A1 \* 6/2013 ..... A63H 1/18  
CN 3262743 \* 11/2002

(Continued)

*Primary Examiner* — Catherine A Tuttle

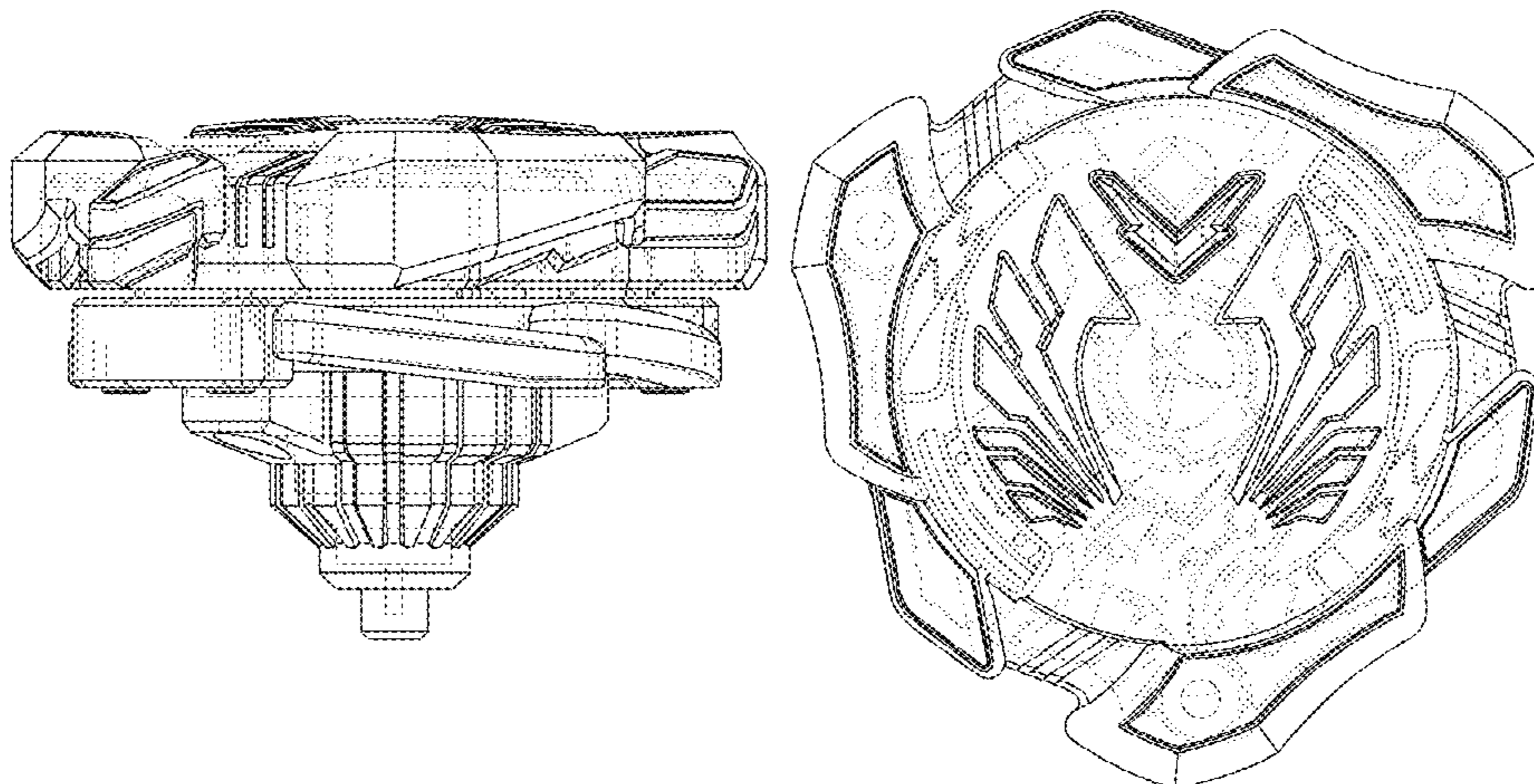
(74) *Attorney, Agent, or Firm* — Staas & Halsey LLP

(57) **CLAIM**

The ornamental design for a spinning top toy, as shown and described.

FIG. 1 is a front view of the spinning top toy showing our design;  
FIG. 2 is a left side view thereof;  
FIG. 3 is a rear view thereof;  
FIG. 4 is right side view thereof;  
FIG. 5 is a top view thereof;  
FIG. 6 is a bottom view thereof;  
FIG. 7 is a perspective view thereof;  
FIG. 8 is a front elevational view of the transparent portion of the design shown in isolation for clarity of disclosure;  
FIG. 9 is a top plan view of the top surface of the transparent portion shown in isolation for clarity of disclosure.  
FIG. 10 is a front view of the spinning top toy, corresponding to FIG. 1 but showing contour shading to the exterior parts and with the interior parts omitted for clarity of disclosure;  
FIG. 11 is a left side view thereof corresponding to FIG. 2 but showing contour shading to the exterior parts and with the interior parts omitted for clarity of disclosure;  
FIG. 12 is a rear view thereof corresponding to FIG. 3 but showing contour shading to the exterior parts and with the interior parts omitted for clarity of disclosure;  
FIG. 13 is right side view thereof corresponding to FIG. 4 but showing contour shading to the exterior parts and with the interior parts omitted for clarity of disclosure;  
FIG. 14 is a top view thereof corresponding to FIG. 5 but showing contour shading to the exterior parts and with the interior parts omitted for clarity of disclosure;  
FIG. 15 is a bottom view thereof corresponding to FIG. 6 but showing contour shading to the exterior parts and with the interior parts omitted for clarity of disclosure;  
FIG. 16 is a perspective view thereof corresponding to FIG. 7 but showing contour shading to the exterior parts and with the interior parts omitted for clarity of disclosure;  
FIG. 17 is a front elevational view corresponding to FIG. 8, but showing contour shading to the exterior parts and with the interior parts omitted for clarity of disclosure; and,  
FIG. 18 is a top plan view corresponding to FIG. 9, but showing contour shading to the exterior parts and with the interior parts omitted for clarity of disclosure.

(Continued)



# US D834,102 S

Page 2

The portions of the spinning top toy shown in broken lines form no part of the claimed design.

## 1 Claim, 18 Drawing Sheets

### (58) Field of Classification Search

CPC ..... A63H 1/00-1/32; A63F 9/16  
See application file for complete search history.

(56)

### References Cited

#### U.S. PATENT DOCUMENTS

D629,469 S \* 12/2010 Nishimoto ..... D21/460  
D629,847 S \* 12/2010 Ujita ..... D21/460  
D639,348 S \* 6/2011 Ujita ..... D21/460  
D639,869 S \* 6/2011 Nishimoto ..... D21/460  
D660,918 S \* 5/2012 Ujita ..... D21/460  
D662,556 S \* 6/2012 Horikoshi ..... D21/460  
D665,859 S \* 8/2012 Horikoshi ..... D21/460  
D666,252 S \* 8/2012 Ujita ..... D21/460  
D666,253 S \* 8/2012 Ujita ..... D21/460

D667,894 S \* 9/2012 Horikoshi ..... D21/460  
2003/0064660 A1 \* 4/2003 Matsukawa ..... A63F 3/00895  
446/256  
2014/0302743 A1 \* 10/2014 Cai ..... A63H 1/18  
446/256  
2015/0017872 A1 \* 1/2015 Choi ..... A63H 1/02  
446/259  
2016/0030848 A1 \* 2/2016 Lema ..... A63F 9/24  
463/9  
2016/0325190 A1 \* 11/2016 Muraki ..... A63H 1/02

#### FOREIGN PATENT DOCUMENTS

CN 3262744 \* 11/2002  
CN 3584728 \* 11/2006  
CN 302362408 \* 3/2013  
CN 303339968 \* 8/2015  
CN 303359339 \* 9/2015  
JP 3160657 U \* 7/2010 ..... A63H 1/00  
JP D1531575 \* 8/2015  
KR 300570054.0000 \* 8/2010  
WO WO-2010151017 A2 \* 12/2010 ..... A63H 1/02  
WO WO-2011158940 A1 \* 12/2011 ..... A63F 9/16

\* cited by examiner



FIG. 1

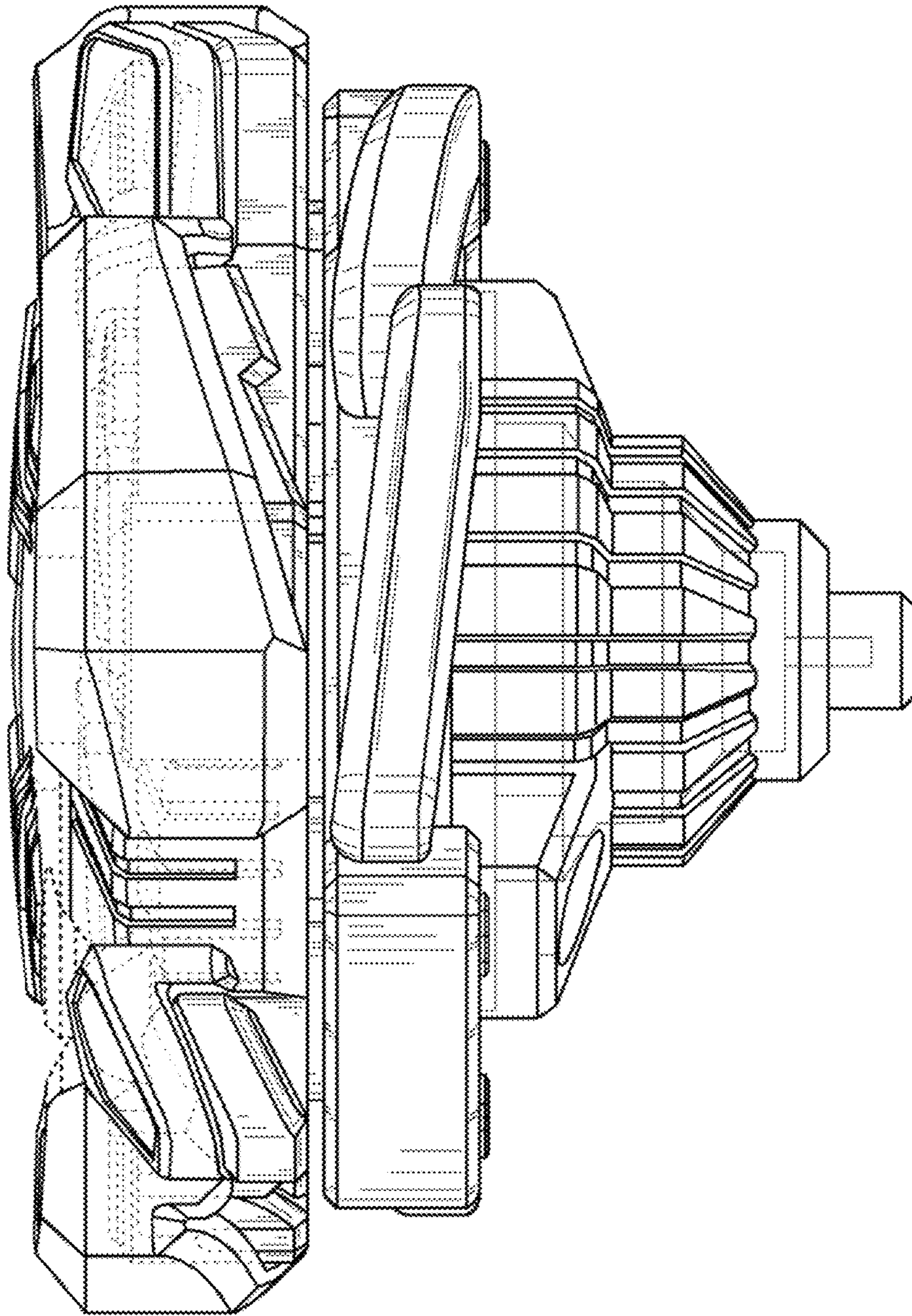


FIG. 2

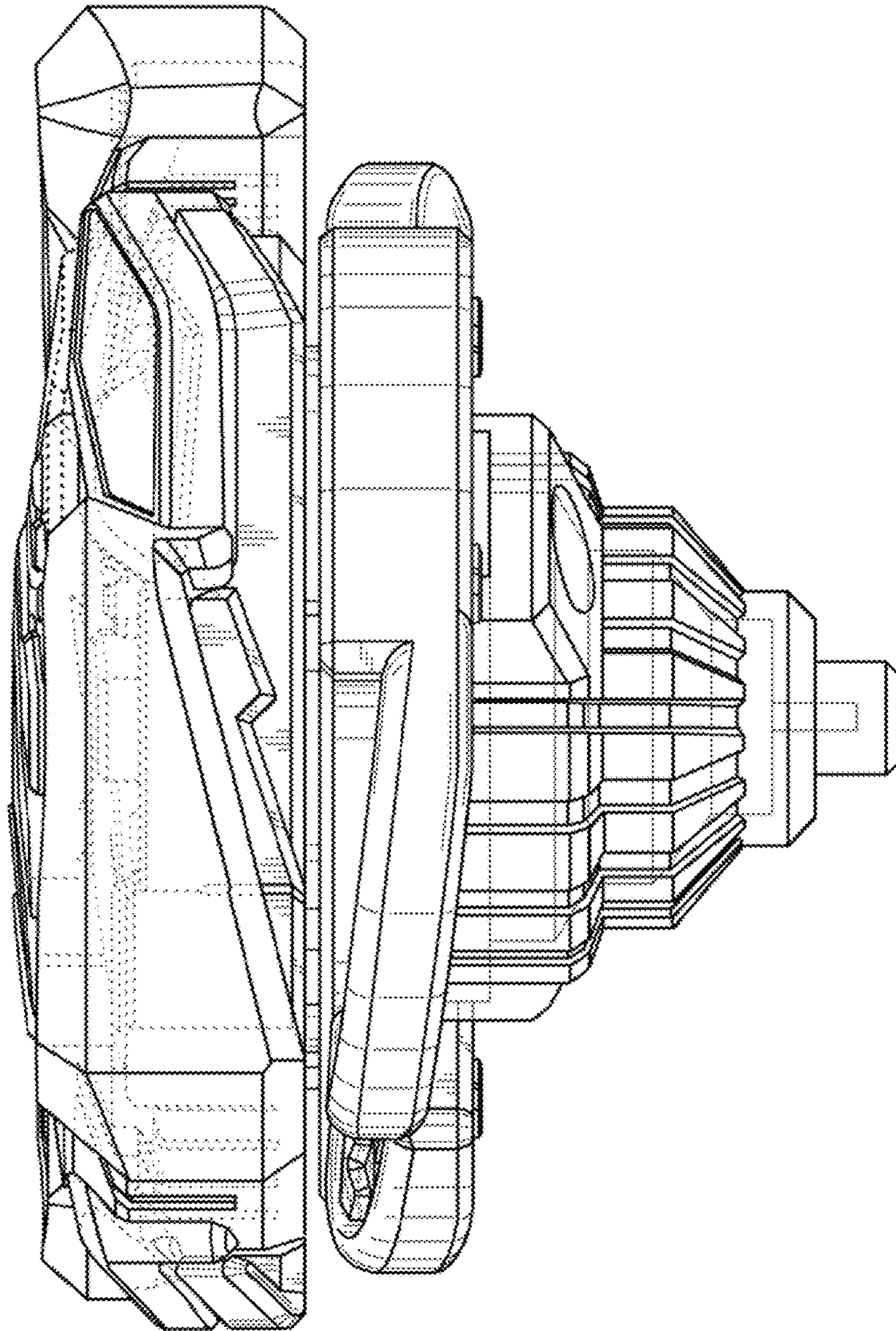




FIG. 3

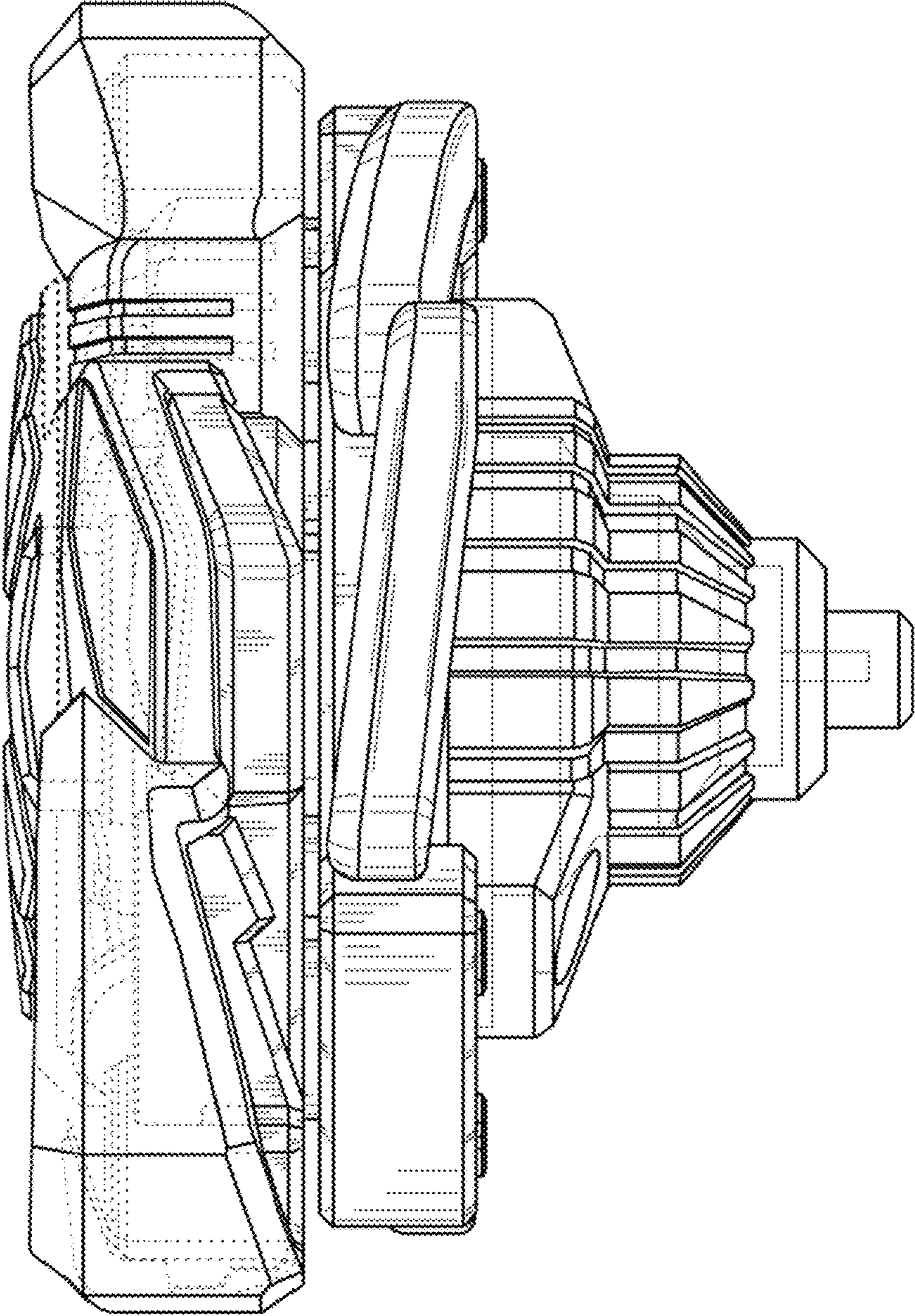
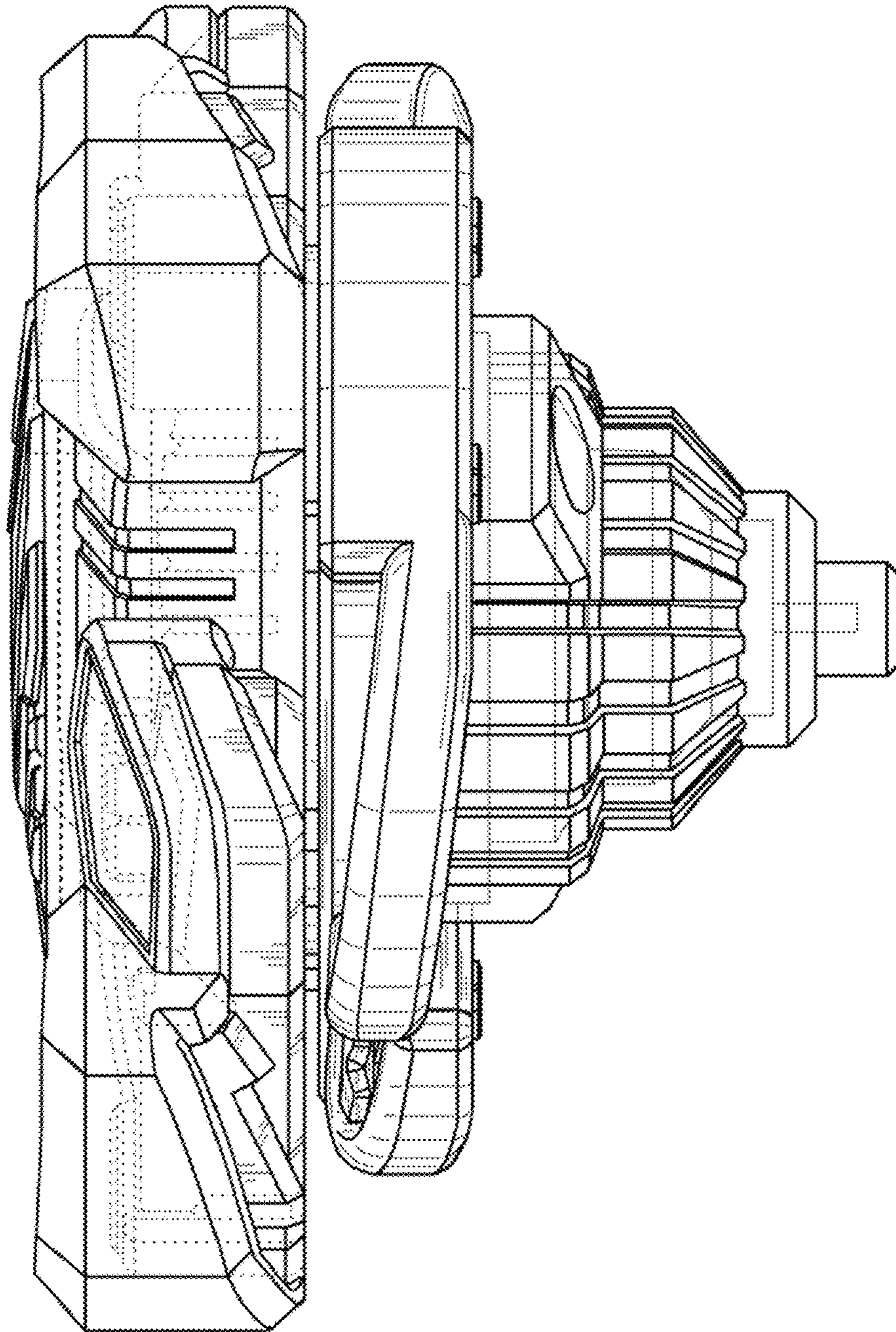


FIG. 4





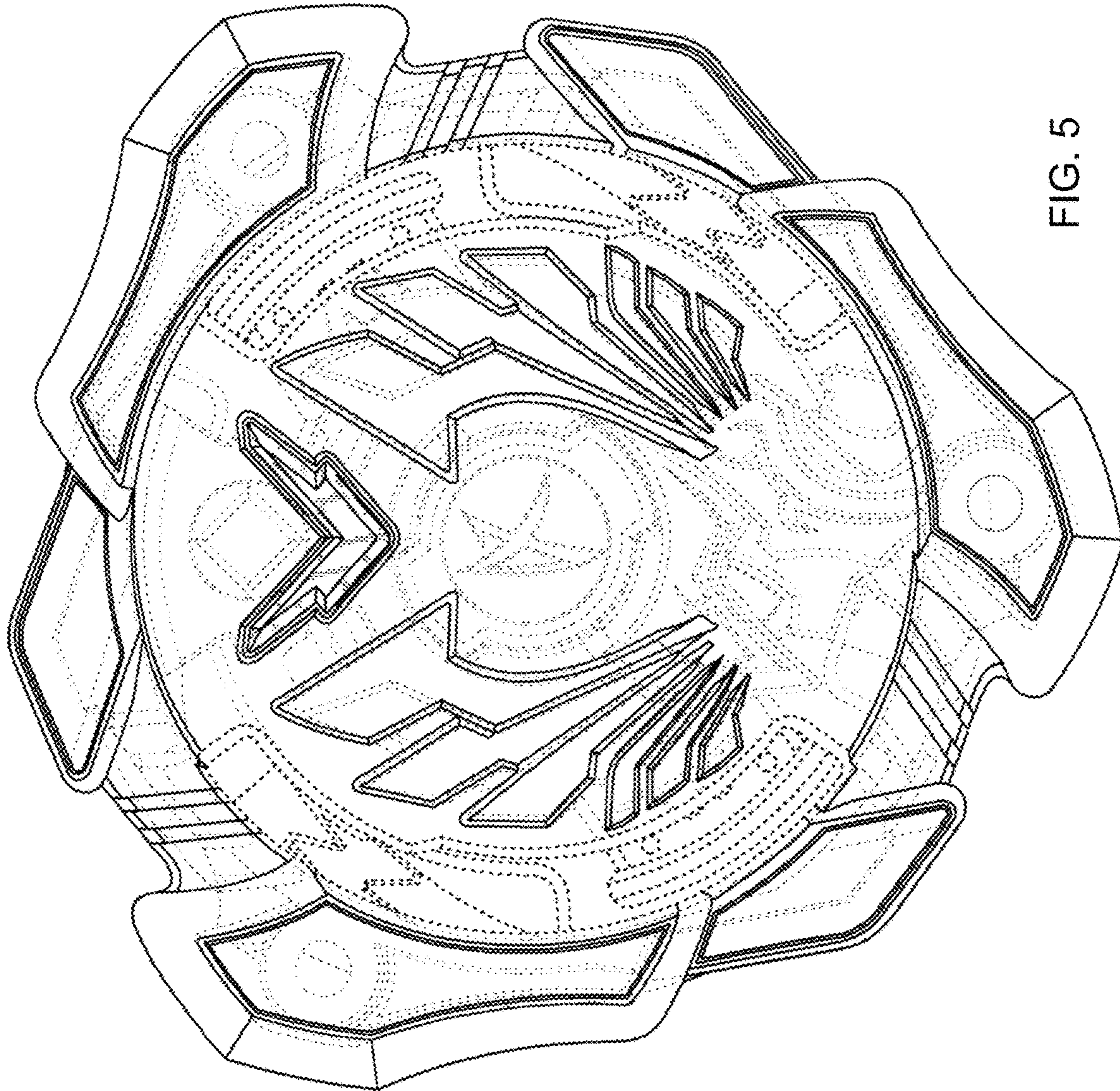


FIG. 5



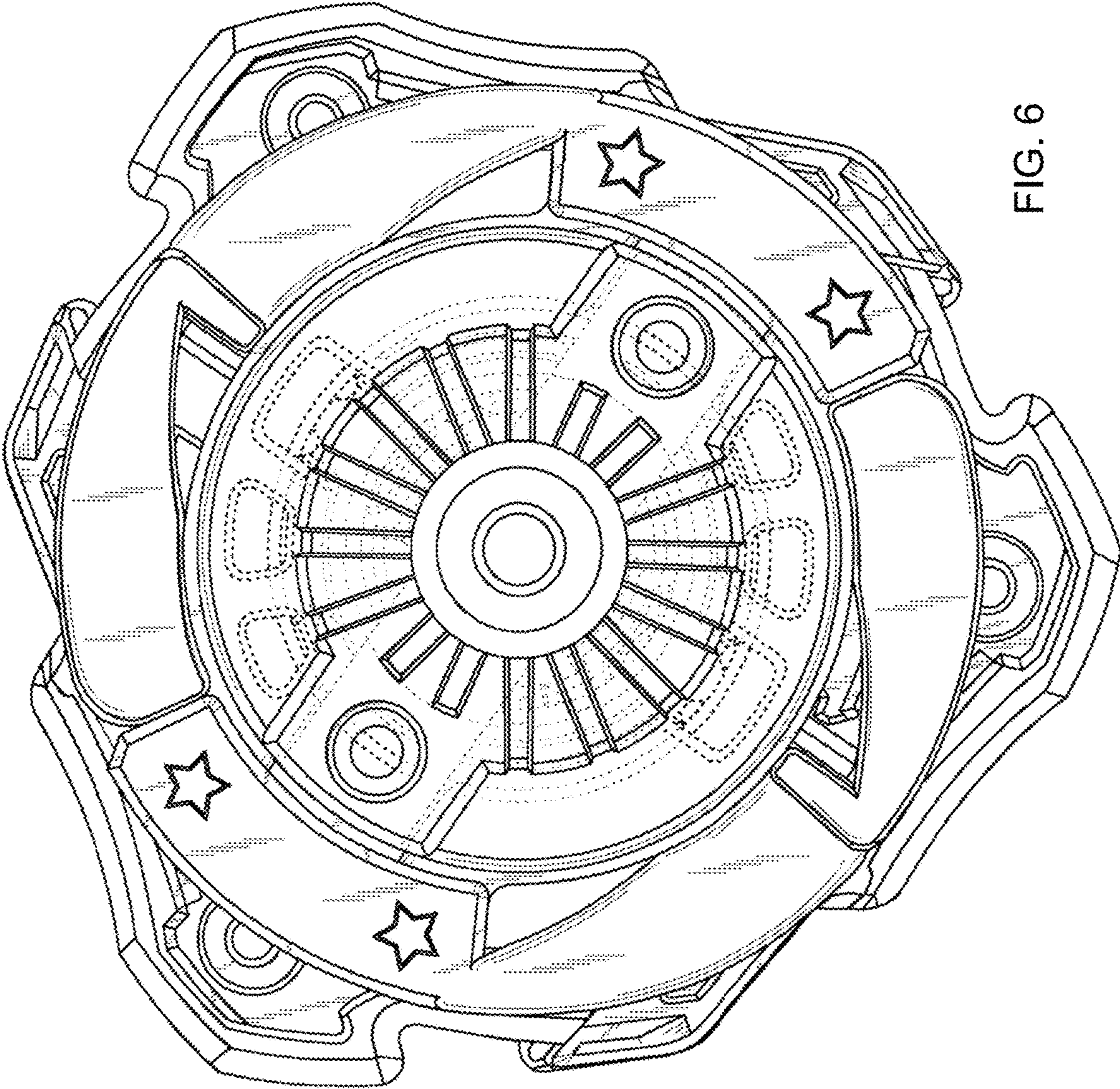


FIG. 6



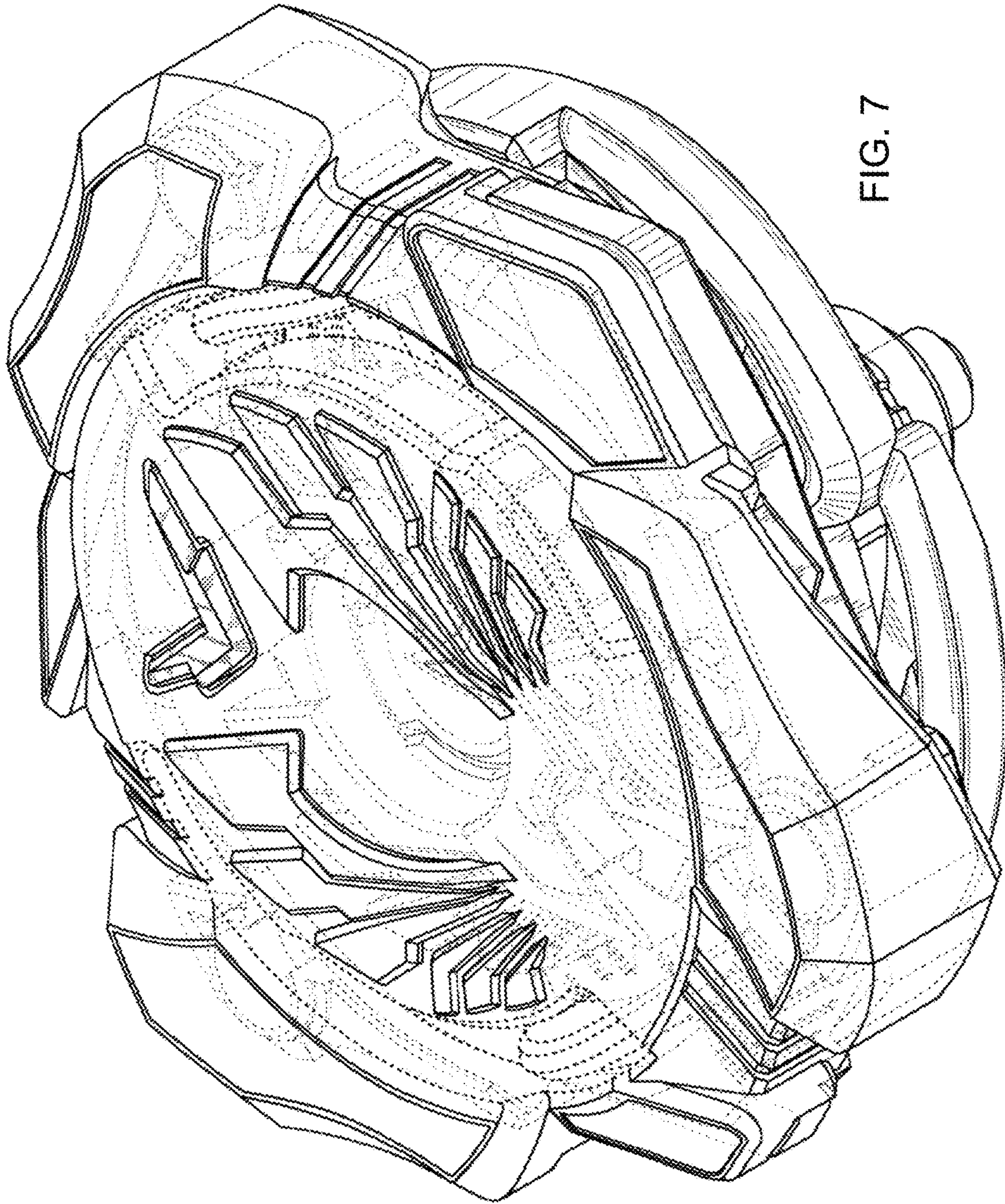
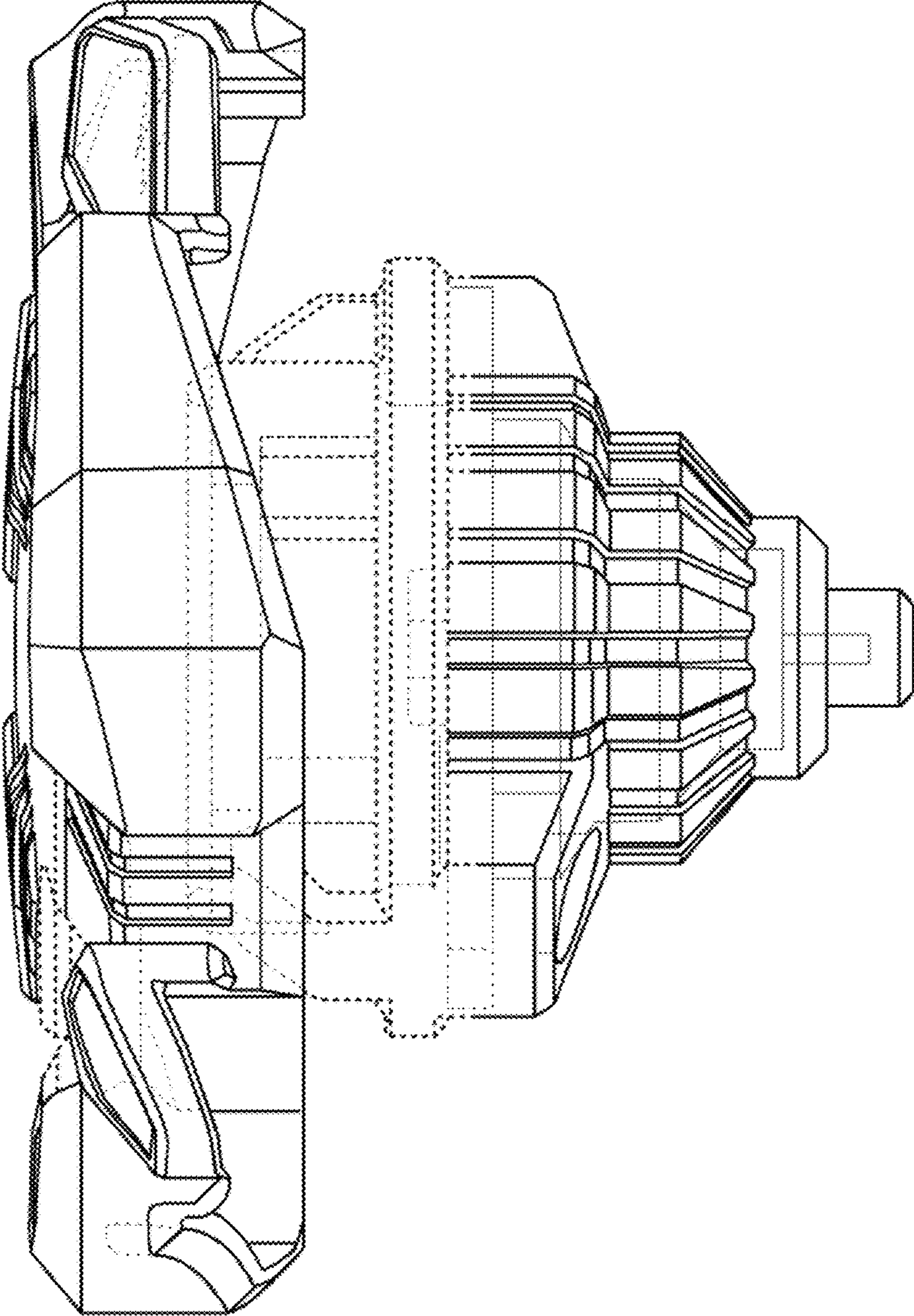


FIG. 7

FIG. 8





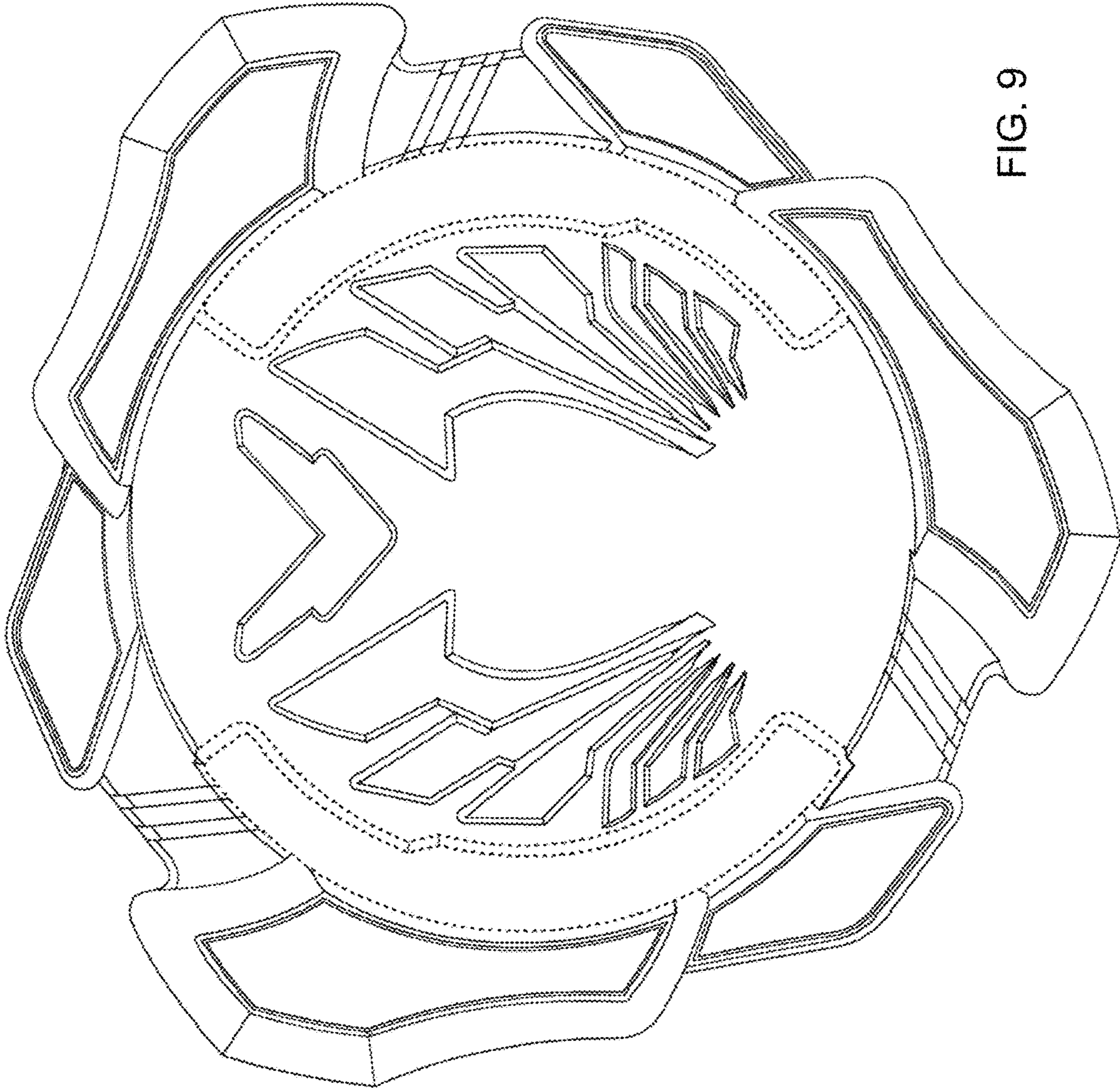


FIG. 9

FIG. 10

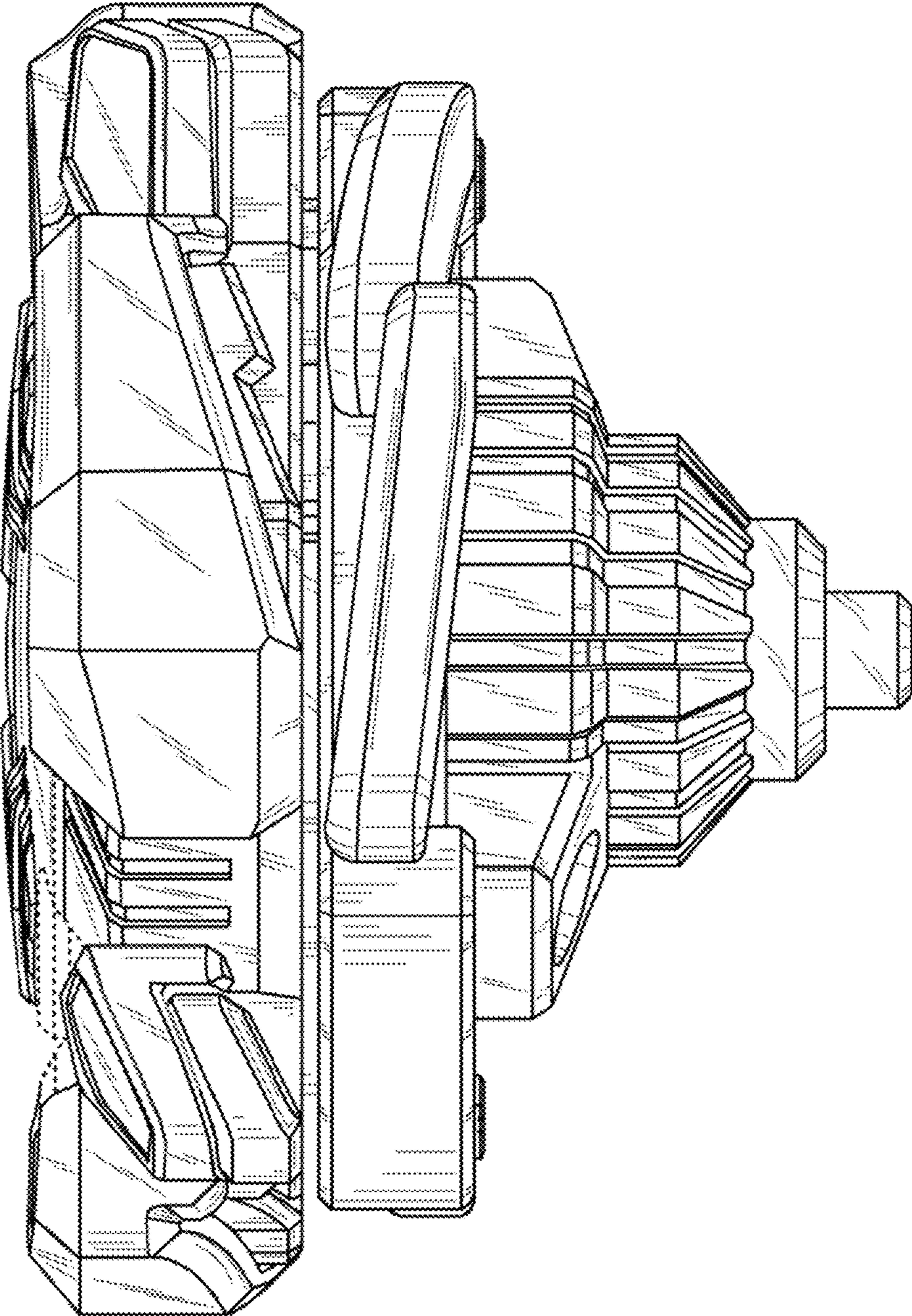




FIG. 11

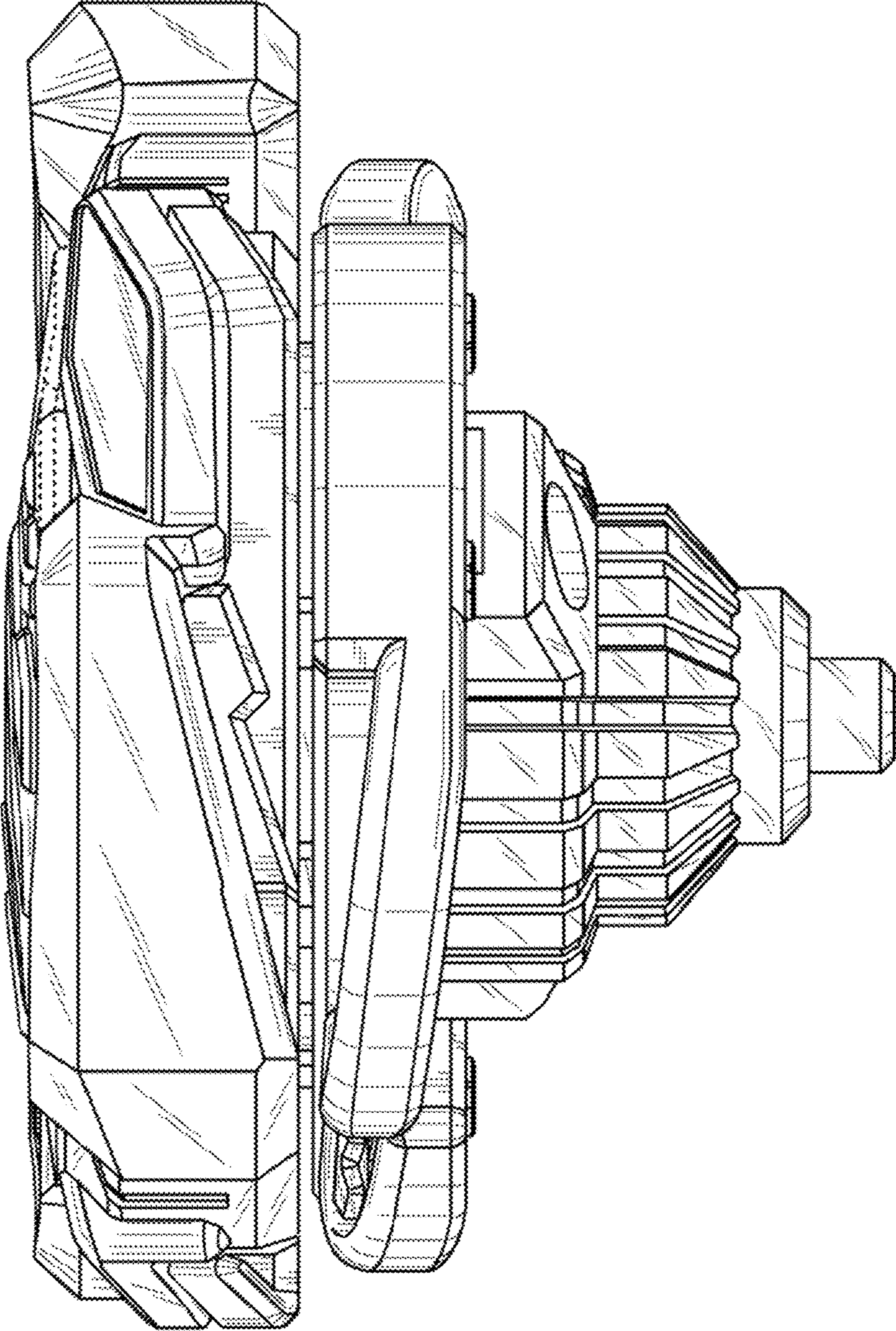


FIG. 12

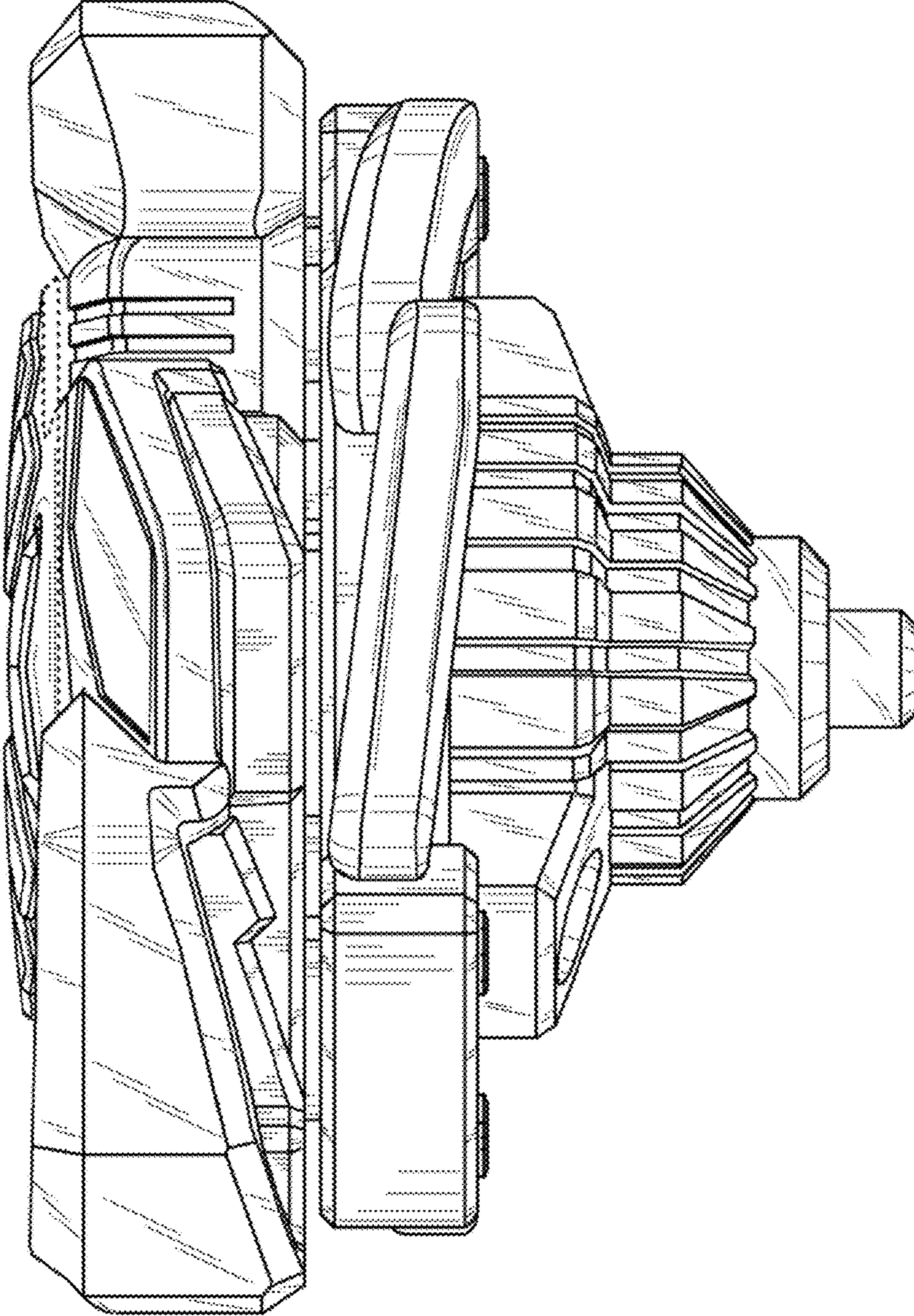
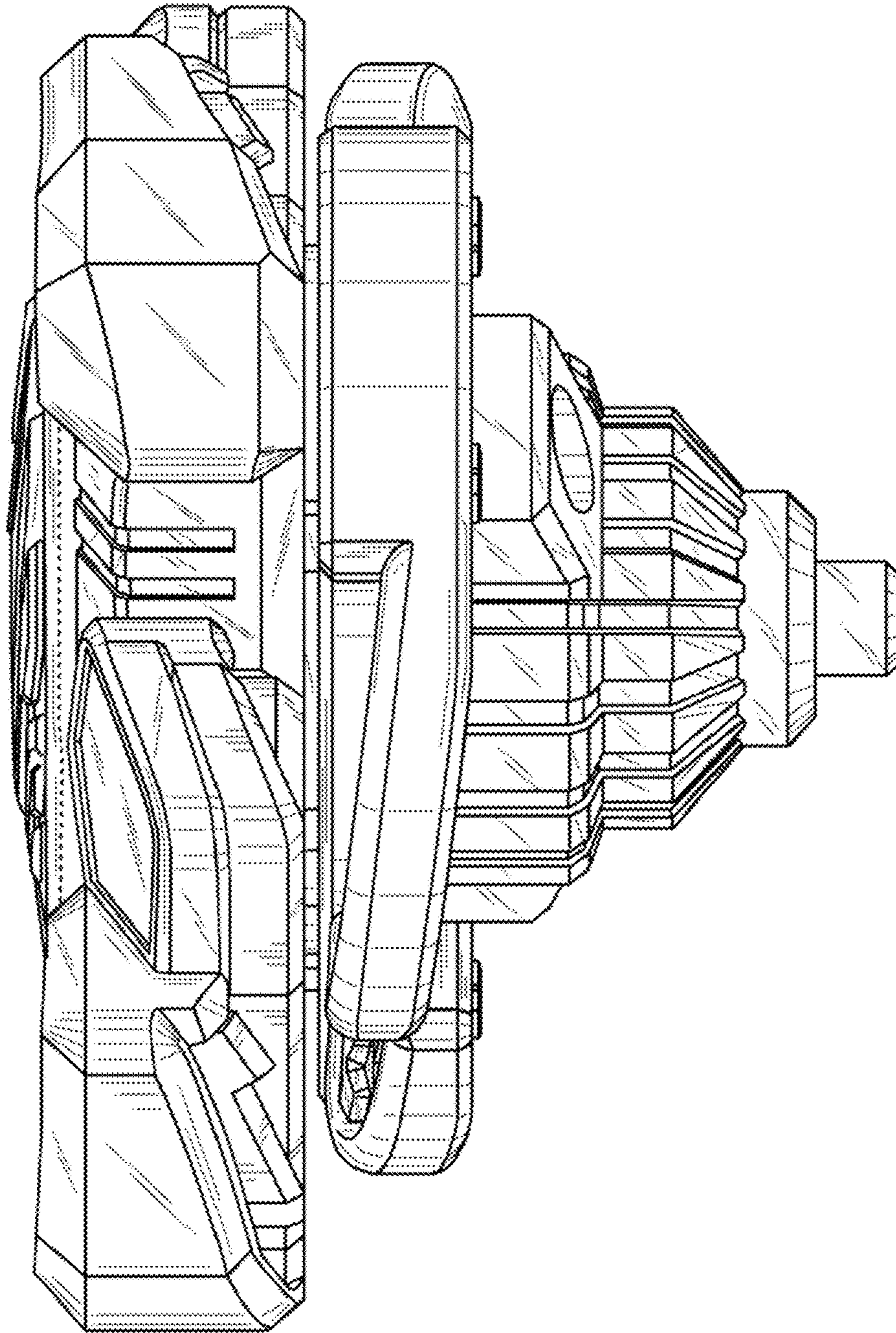




FIG. 13





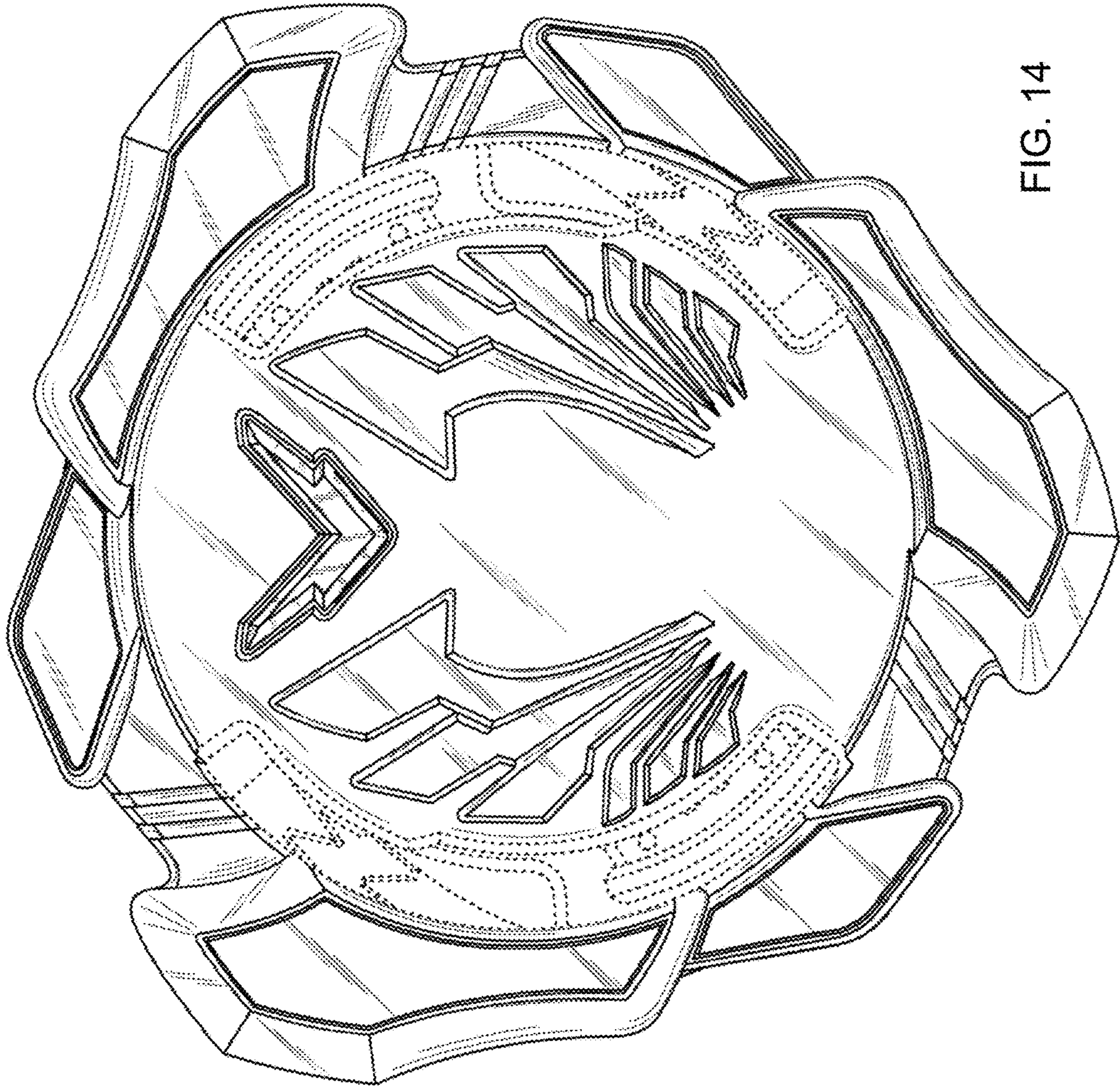


FIG. 14



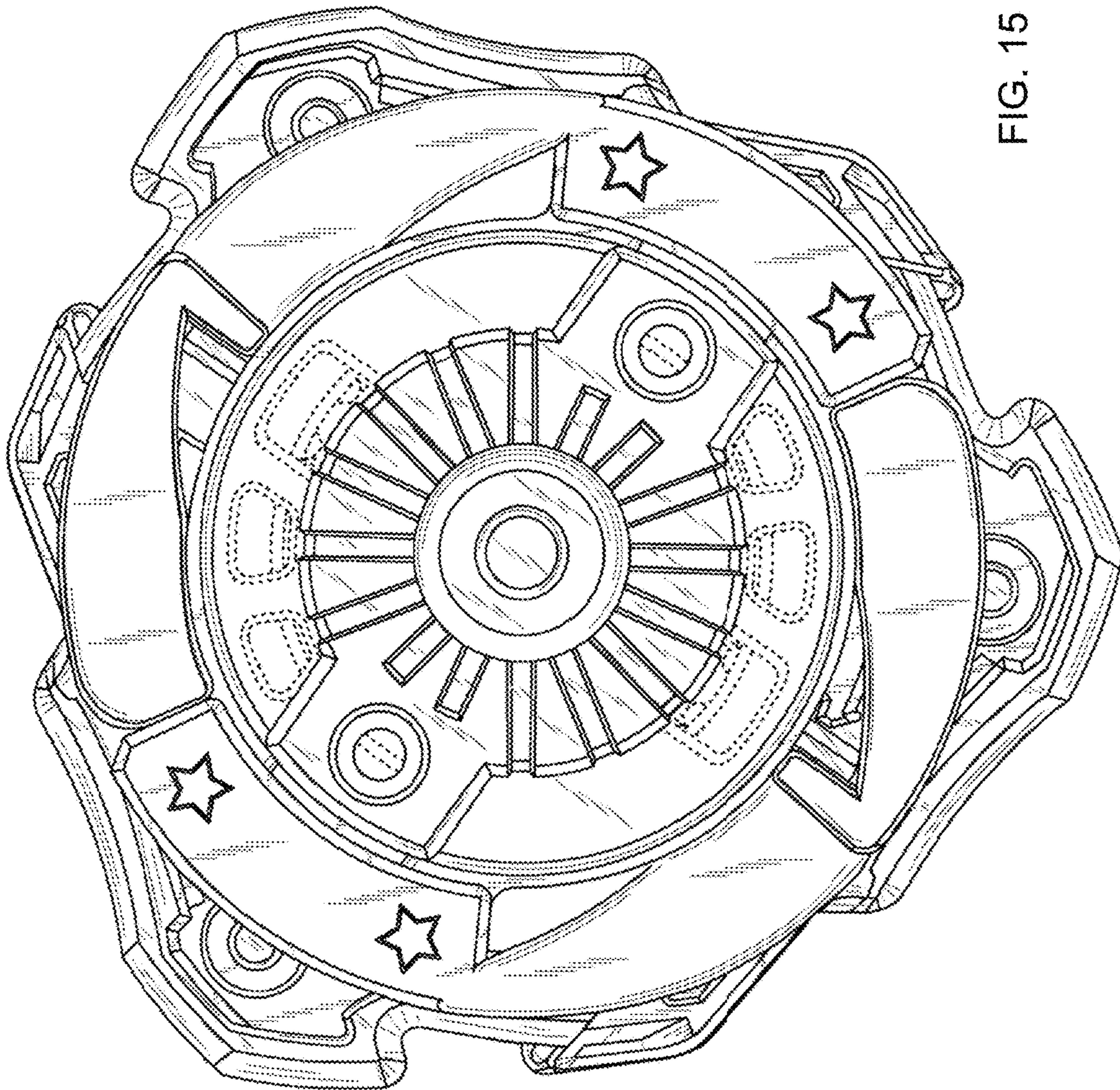


FIG. 15



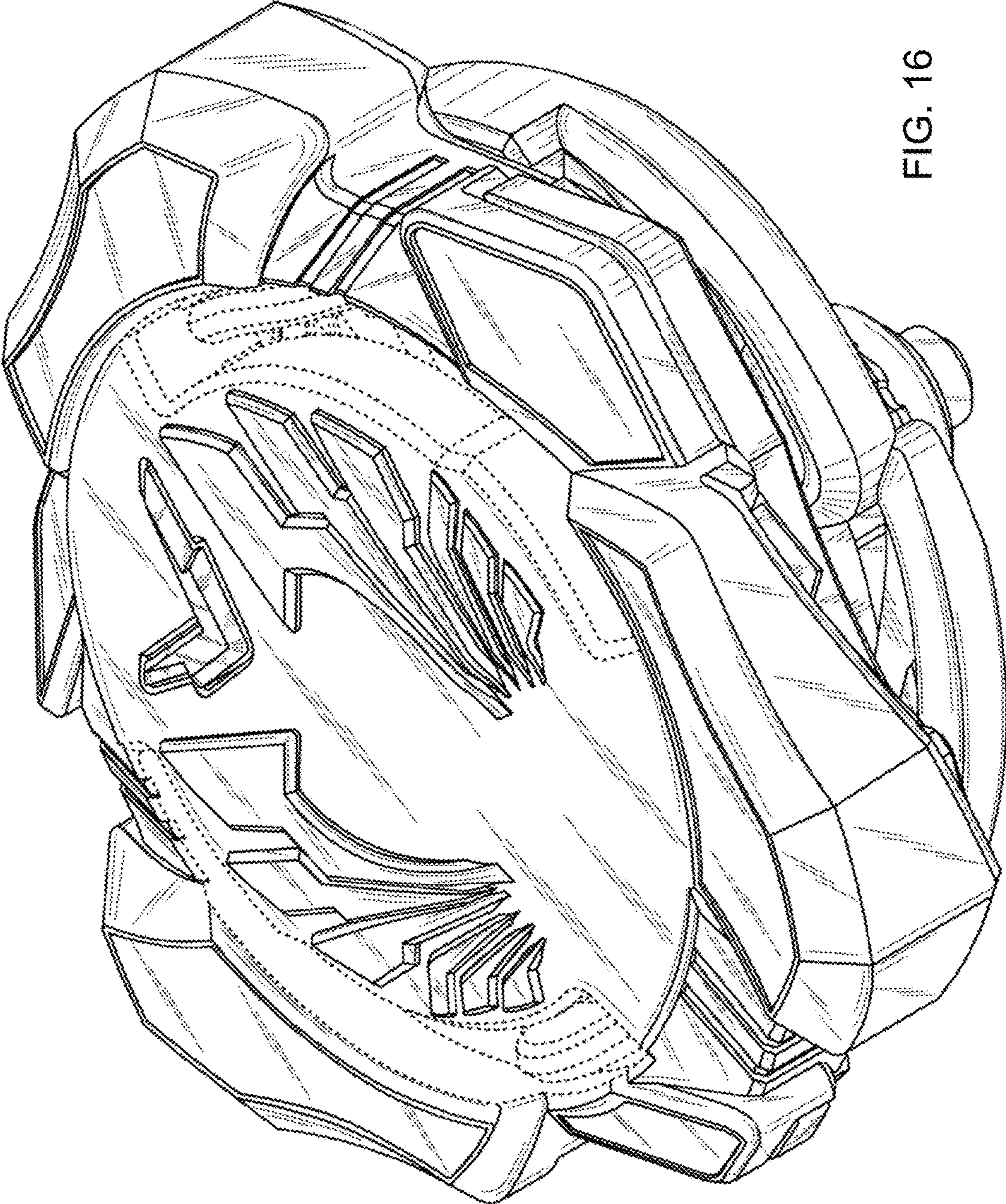
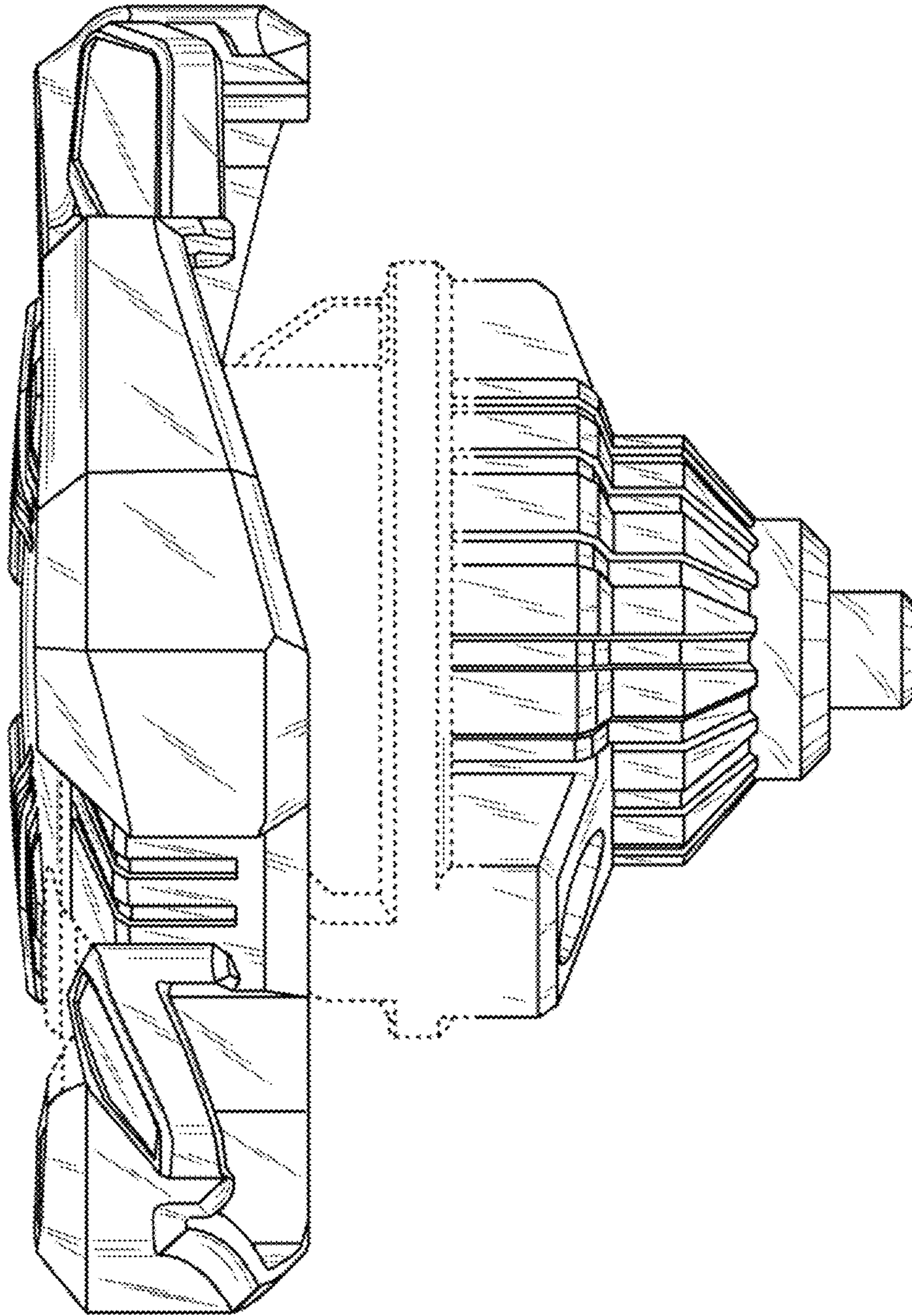


FIG. 16



FIG. 17



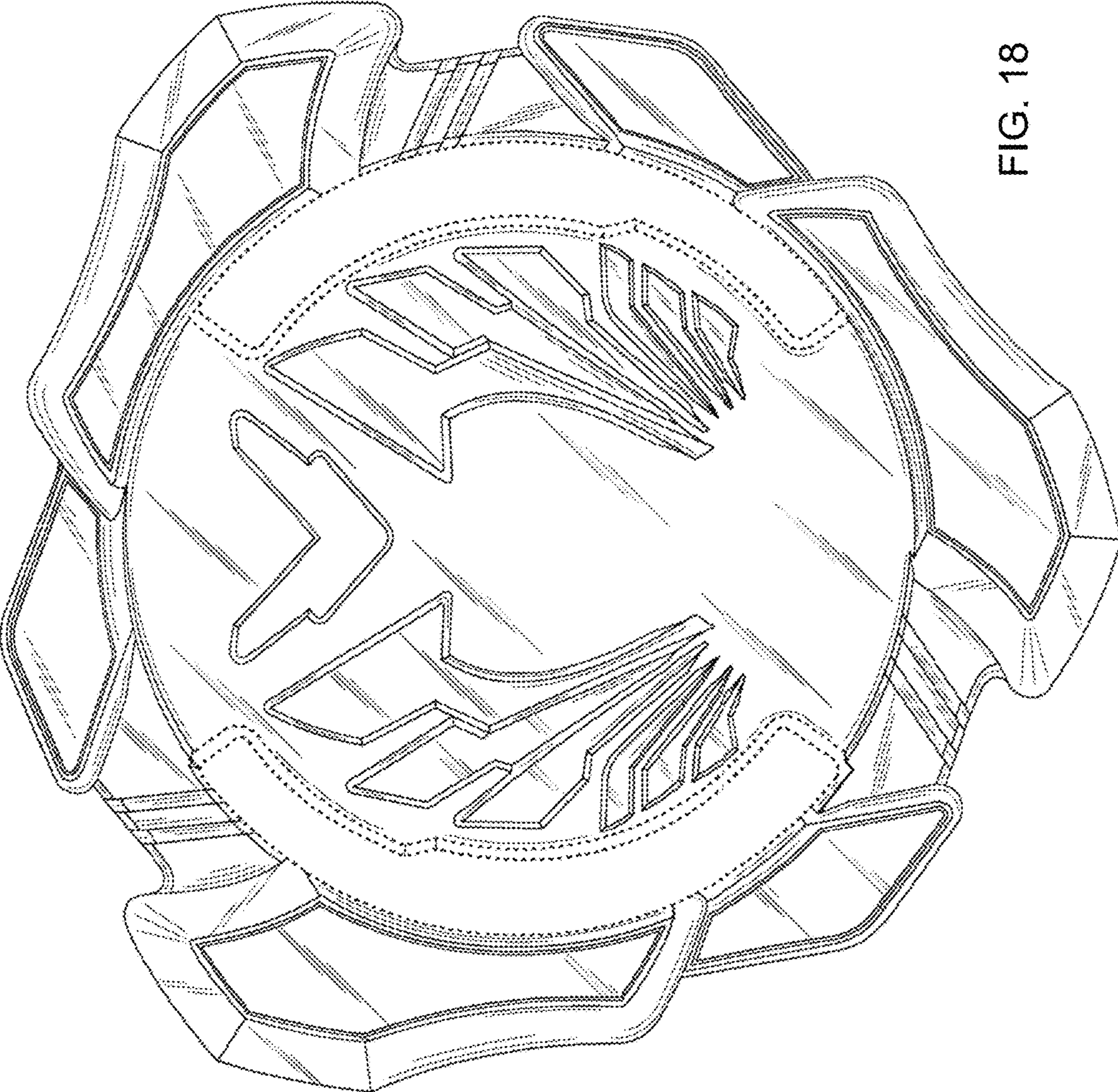


FIG. 18