



US00D834101S

(12) **United States Design Patent**
Horikoshi

(10) **Patent No.:** **US D834,101 S**

(45) **Date of Patent:** **** Nov. 20, 2018**

(54) **SPINNING TOP TOY**

(71) Applicant: **TOMY COMPANY, LTD.**, Tokyo (JP)

(72) Inventor: **Kenji Horikoshi**, Tokyo (JP)

(73) Assignee: **TOMY COMPANY, LTD.**, Tokyo (JP)

(**) Term: **15 Years**

(21) Appl. No.: **29/505,898**

(22) Filed: **Mar. 31, 2016**

(30) **Foreign Application Priority Data**

Dec. 21, 2015 (JP) 2015-028367

(51) **LOC (11) Cl.** **21-01**

(52) **U.S. Cl.**

USPC **D21/460**

(58) **Field of Classification Search**

USPC D21/436, 441, 443, 444, 455, 460-464;
446/236-266

(Continued)

(56) **References Cited**

U.S. PATENT DOCUMENTS

D615,134 S * 5/2010 Nishimoto D21/460
D629,051 S * 12/2010 Nishimoto D21/460

(Continued)

FOREIGN PATENT DOCUMENTS

CN 3262744 * 11/2002
CN 300819268 * 8/2008

(Continued)

Primary Examiner — Catherine A Tuttle

(74) *Attorney, Agent, or Firm* — Staas & Halsey LLP

(57) **CLAIM**

The ornamental design for a spinning top toy, as shown and described.

DESCRIPTION

FIG. 1 is a front view of the spinning top toy showing our design;

FIG. 2 is a left side view thereof;

FIG. 3 is a rear view thereof;

FIG. 4 is right side view thereof;

FIG. 5 is a top view thereof;

FIG. 6 is a bottom view thereof;

FIG. 7 is a perspective view thereof;

FIG. 8 is a front elevational view of the transparent portion of the design shown in isolation for clarity of disclosure;

FIG. 9 is a top plan view of the top surface of the transparent portion shown in isolation for clarity of disclosure.

FIG. 10 is a front view of the spinning top toy, corresponding to FIG. 1 but showing contour shading to the exterior parts and with the interior parts omitted;

FIG. 11 is a left side view thereof corresponding to FIG. 2 but showing contour shading to the exterior parts and with the interior parts omitted;

FIG. 12 is a rear view thereof corresponding to FIG. 3 but showing contour shading to the exterior parts and with the interior parts omitted;

FIG. 13 is right side view thereof corresponding to FIG. 4 but showing contour shading to the exterior parts and with the interior parts omitted;

FIG. 14 is a top view thereof corresponding to FIG. 5 but showing contour shading to the exterior parts and with the interior parts omitted;

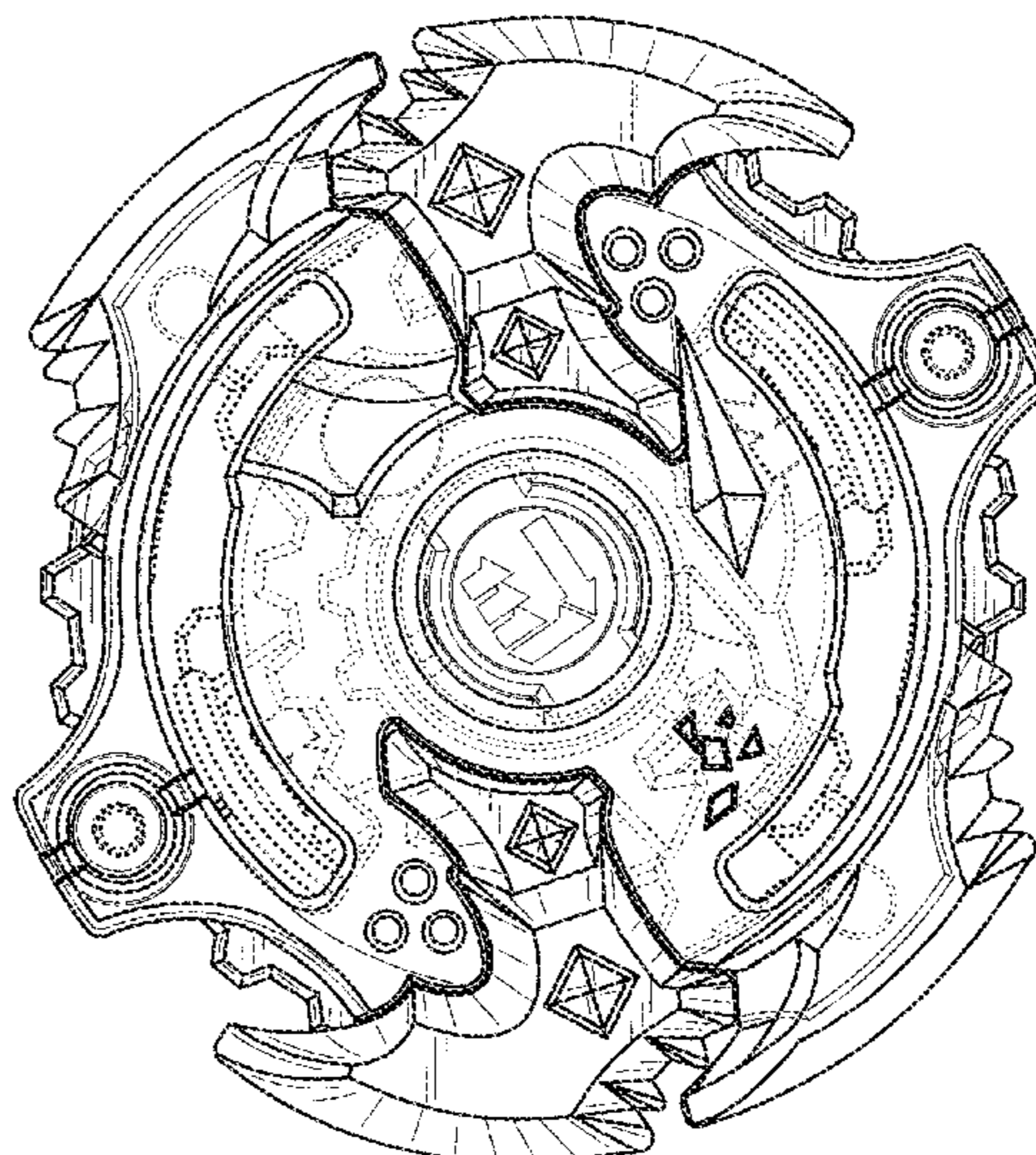
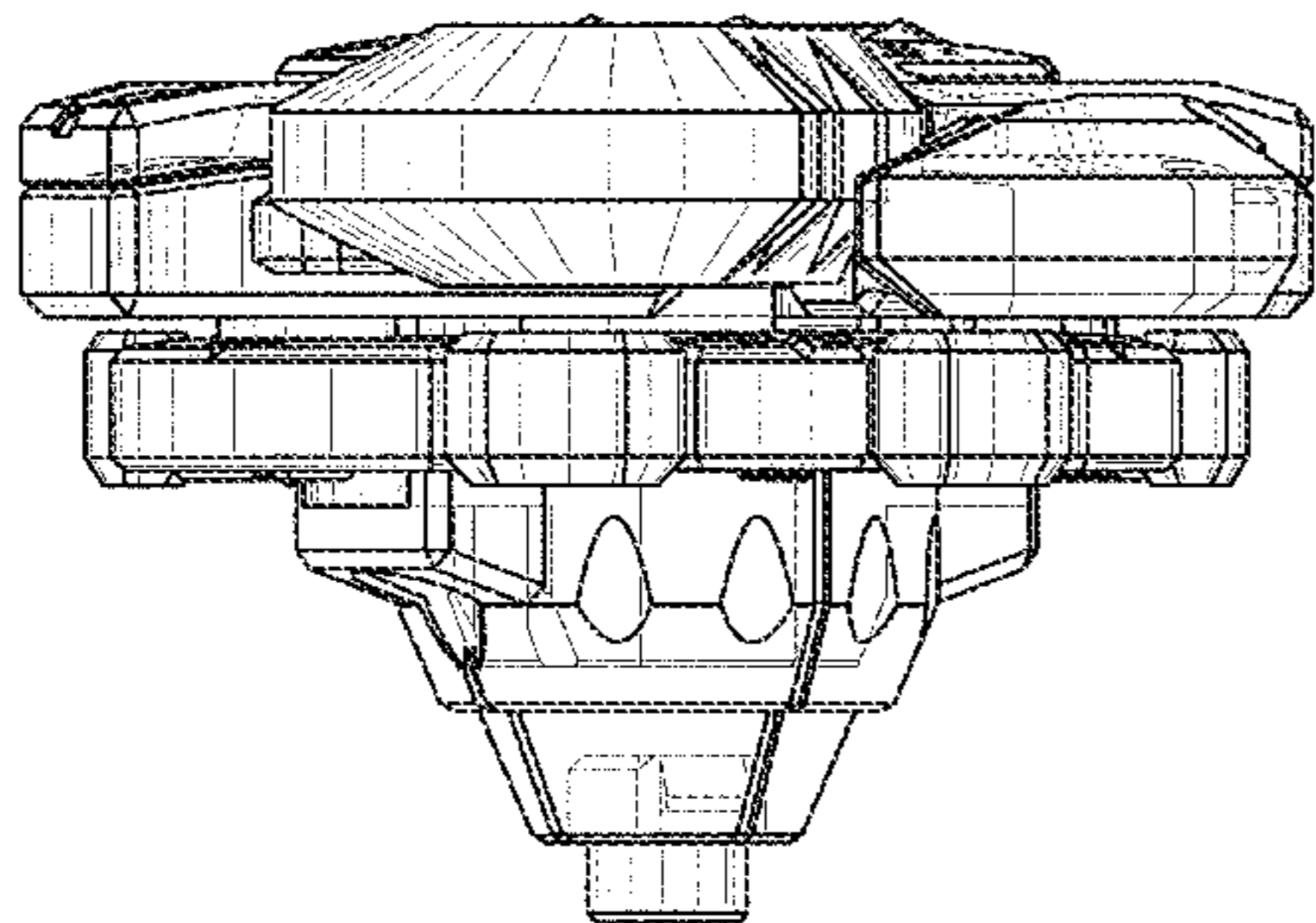
FIG. 15 is a bottom view thereof corresponding to FIG. 6 but showing contour shading to the exterior parts and with the interior parts omitted;

FIG. 16 is a perspective view thereof corresponding to FIG. 7 but showing contour shading to the exterior parts and with the interior parts omitted; and,

FIG. 17 is a front elevational view corresponding to FIG. 8, but showing contour shading to the exterior parts and with the interior parts omitted.

The portions of the spinning top toy shown in broken lines form no part of the claimed design.

1 Claim, 17 Drawing Sheets



(58) **Field of Classification Search**
 CPC A63H 1/00–1/32; A63F 9/16
 See application file for complete search history.

2009/0253504 A1* 10/2009 Nishimoto A63F 9/16
 463/31
 2011/0306269 A1* 12/2011 Horikoshi A63H 1/12
 446/261
 2015/0017872 A1* 1/2015 Choi A63H 1/02
 446/259

(56) **References Cited**

U.S. PATENT DOCUMENTS

D629,468 S * 12/2010 Ujita D21/460
 D629,847 S * 12/2010 Ujita D21/460
 D629,848 S * 12/2010 Ujita D21/460
 D639,348 S * 6/2011 Ujita D21/460
 D639,869 S * 6/2011 Nishimoto D21/460
 D660,918 S * 5/2012 Ujita D21/460
 D662,556 S * 6/2012 Horikoshi D21/460
 D665,859 S * 8/2012 Horikoshi D21/460
 D666,252 S * 8/2012 Ujita D21/460
 D666,253 S * 8/2012 Ujita D21/460
 D667,894 S * 9/2012 Horikoshi D21/460
 9,849,393 B2 * 12/2017 Muraki A63H 1/00
 2003/0064660 A1* 4/2003 Matsukawa A63F 3/00895
 446/256

FOREIGN PATENT DOCUMENTS

CN 301029839 * 9/2009
 CN 301427005 * 12/2010
 CN 302143915 * 10/2012
 CN 303359339 * 9/2015
 CN 303533299 * 12/2015
 JP 3160657 U * 7/2010 A63H 1/00
 JP D1531577 * 8/2015
 JP D1531586 * 8/2015
 JP 1549777 * 5/2016
 WO WO-2010151017 A2 * 12/2010 A63H 1/02

* cited by examiner

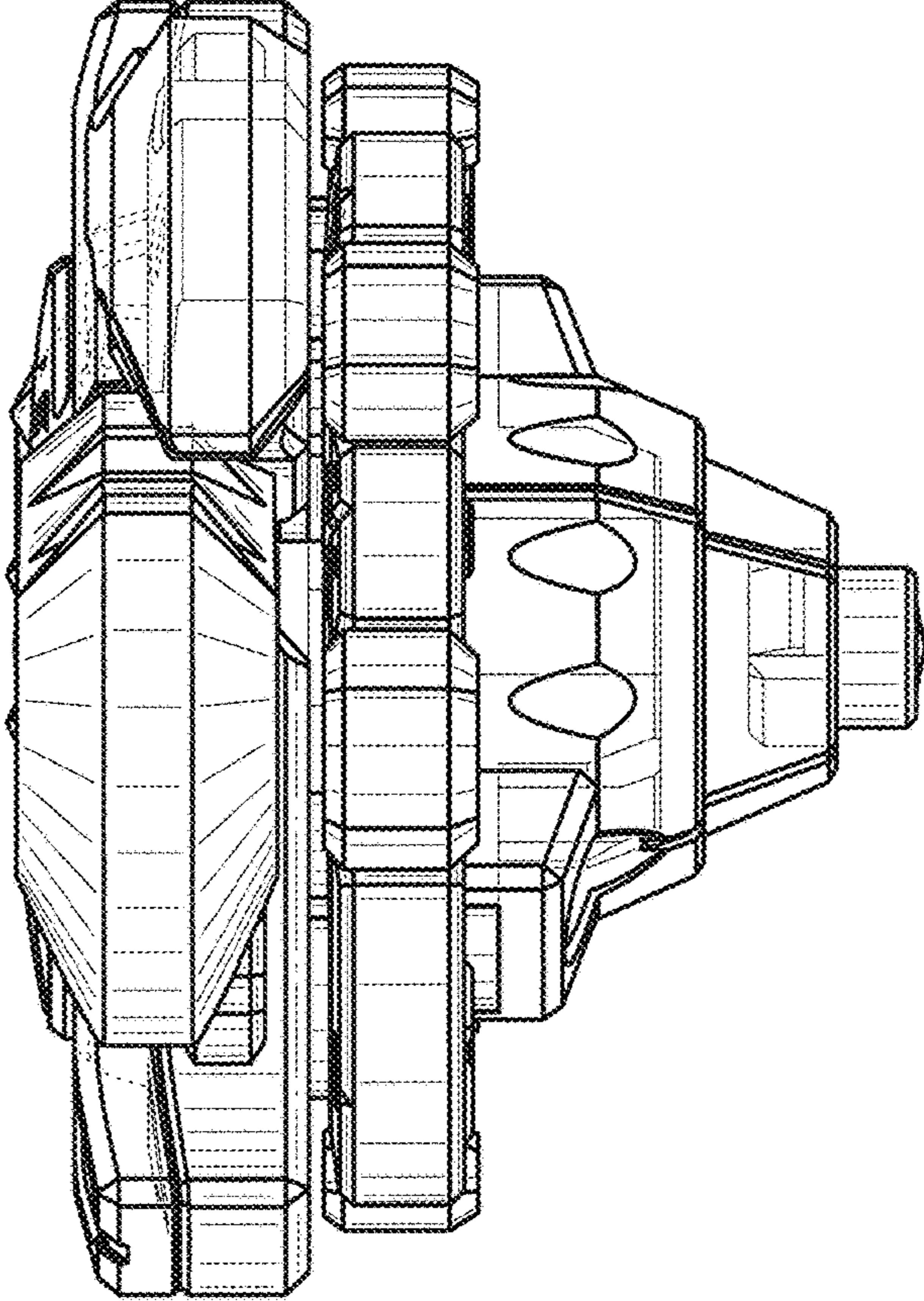


FIG. 1

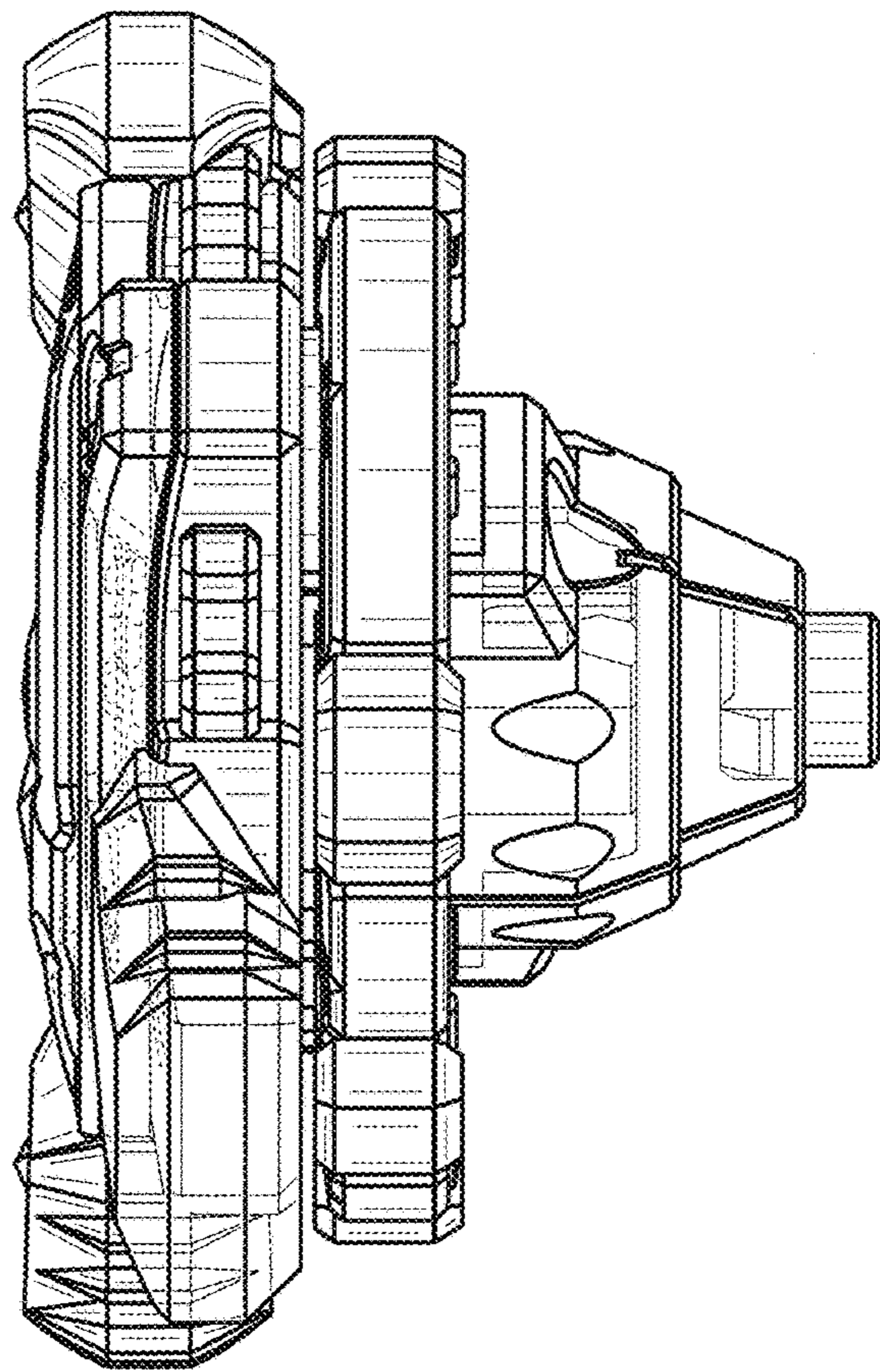


FIG. 2

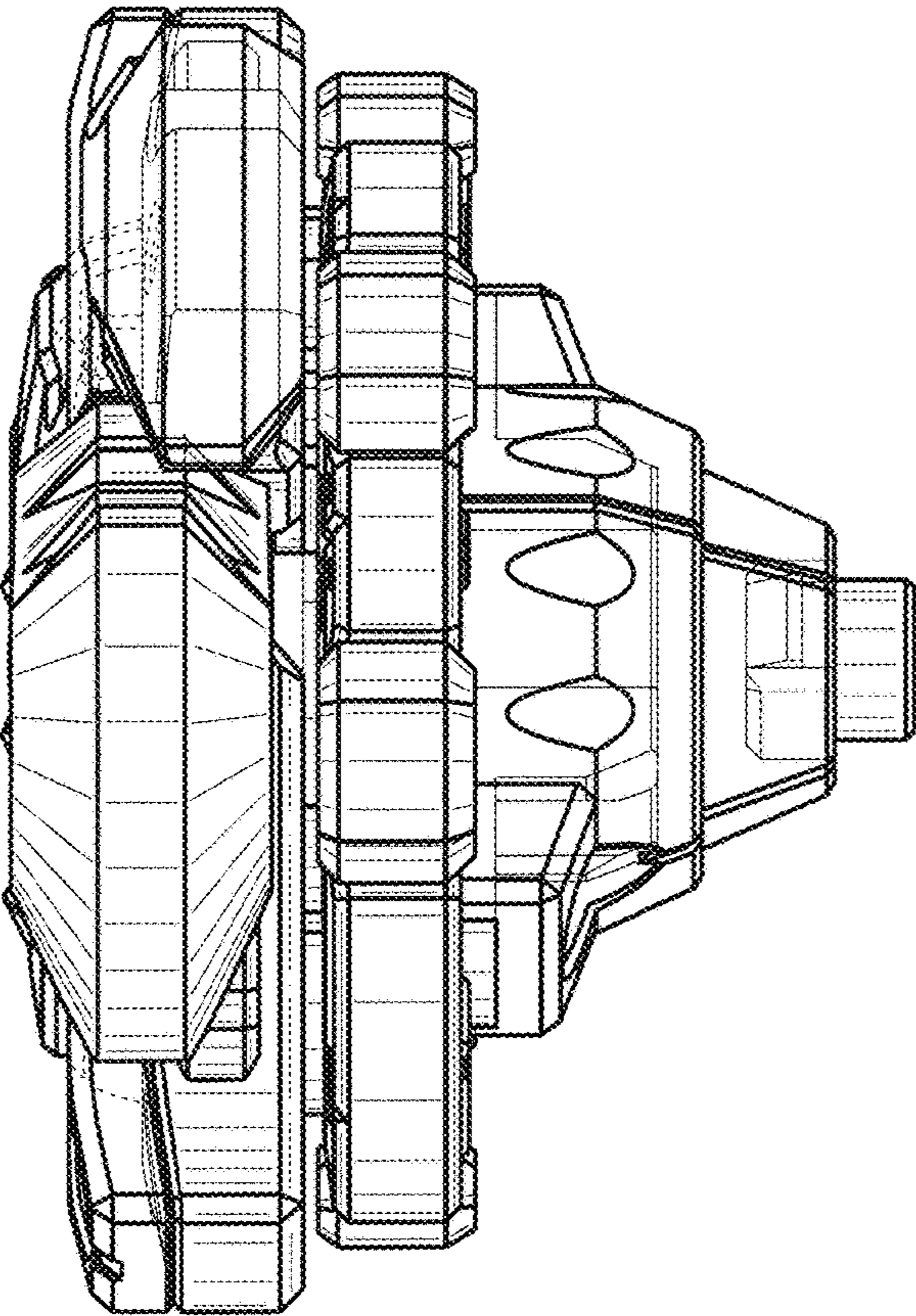


FIG. 3

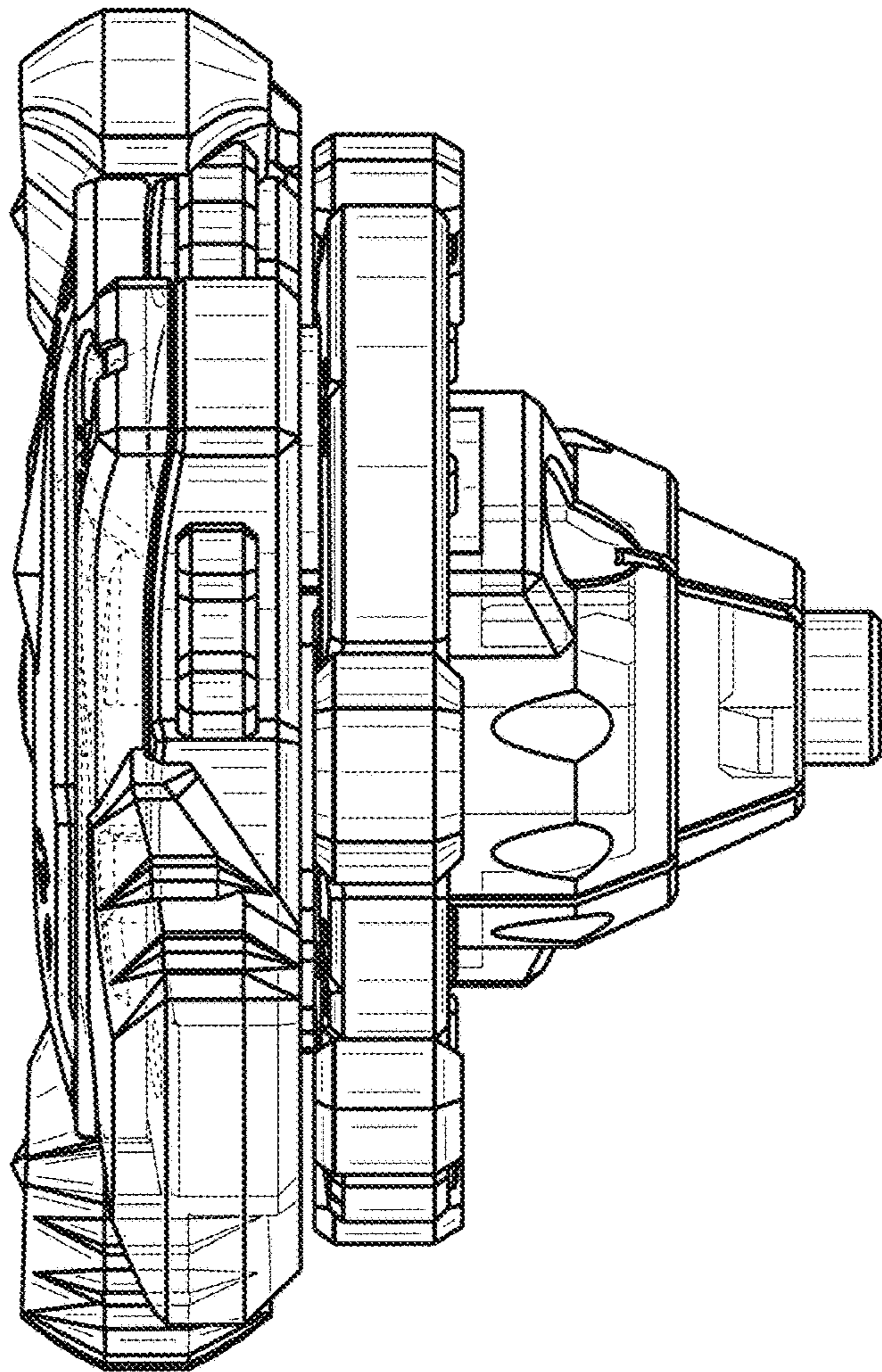


FIG. 4

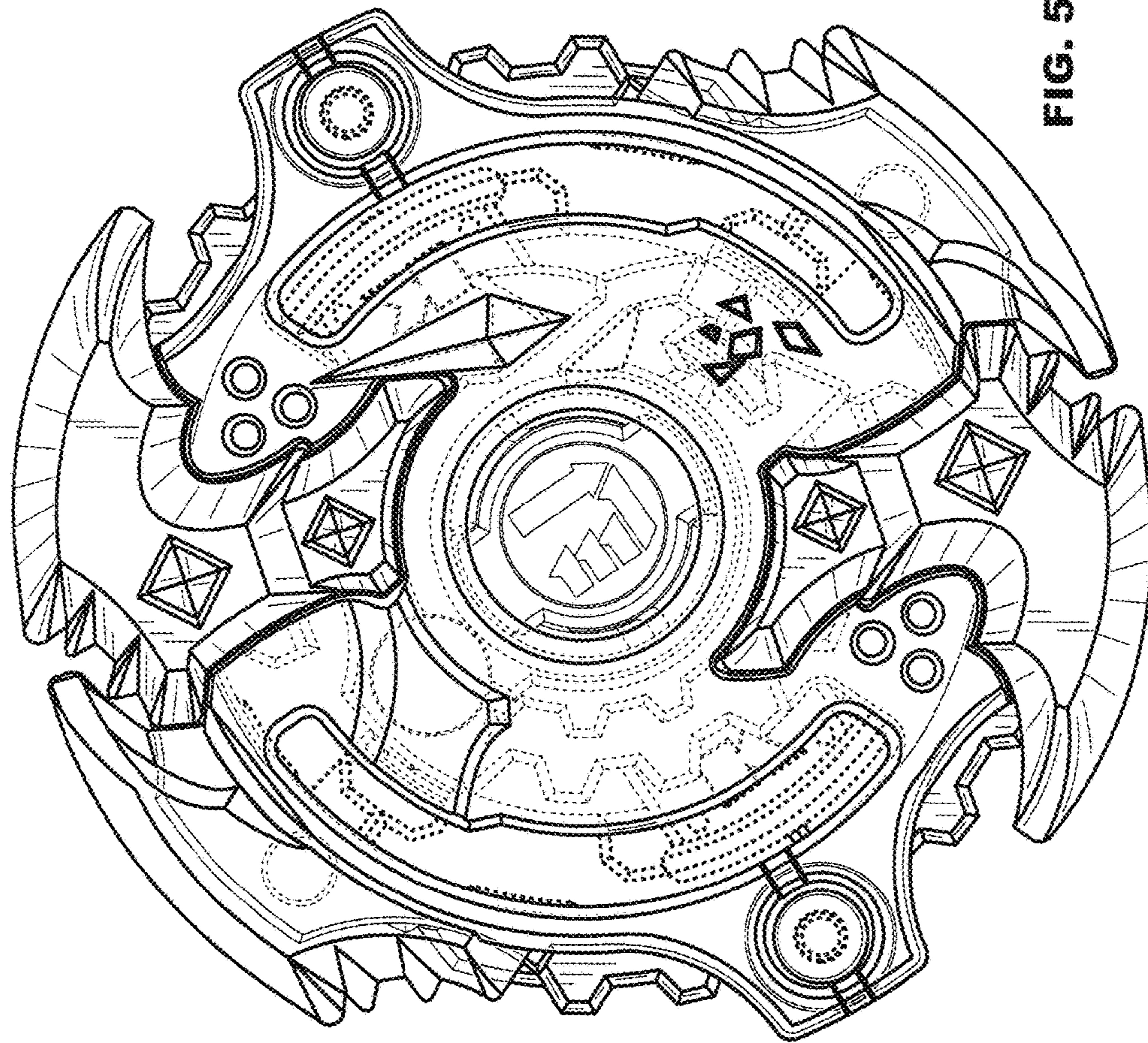


FIG. 5

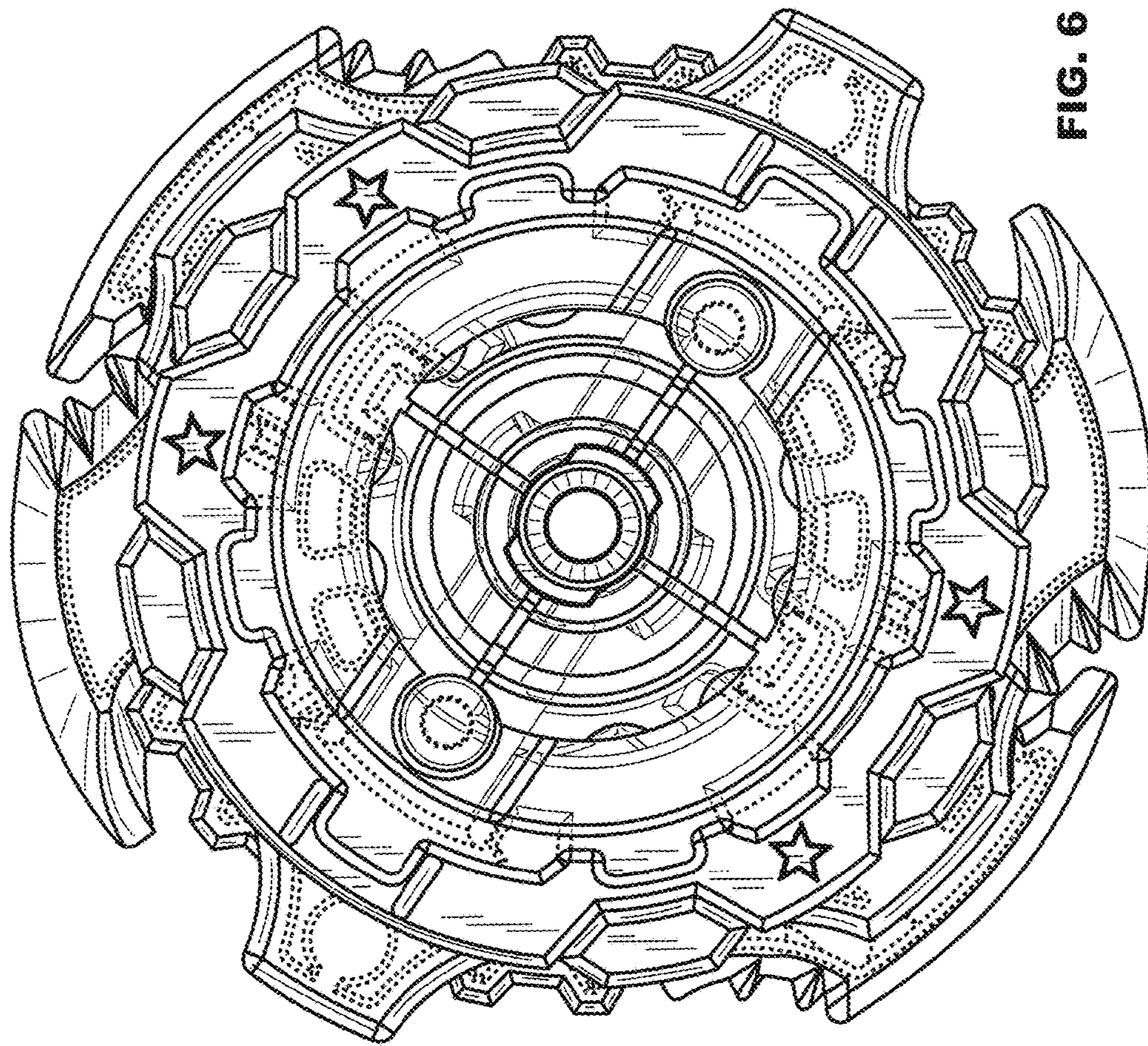


FIG. 6

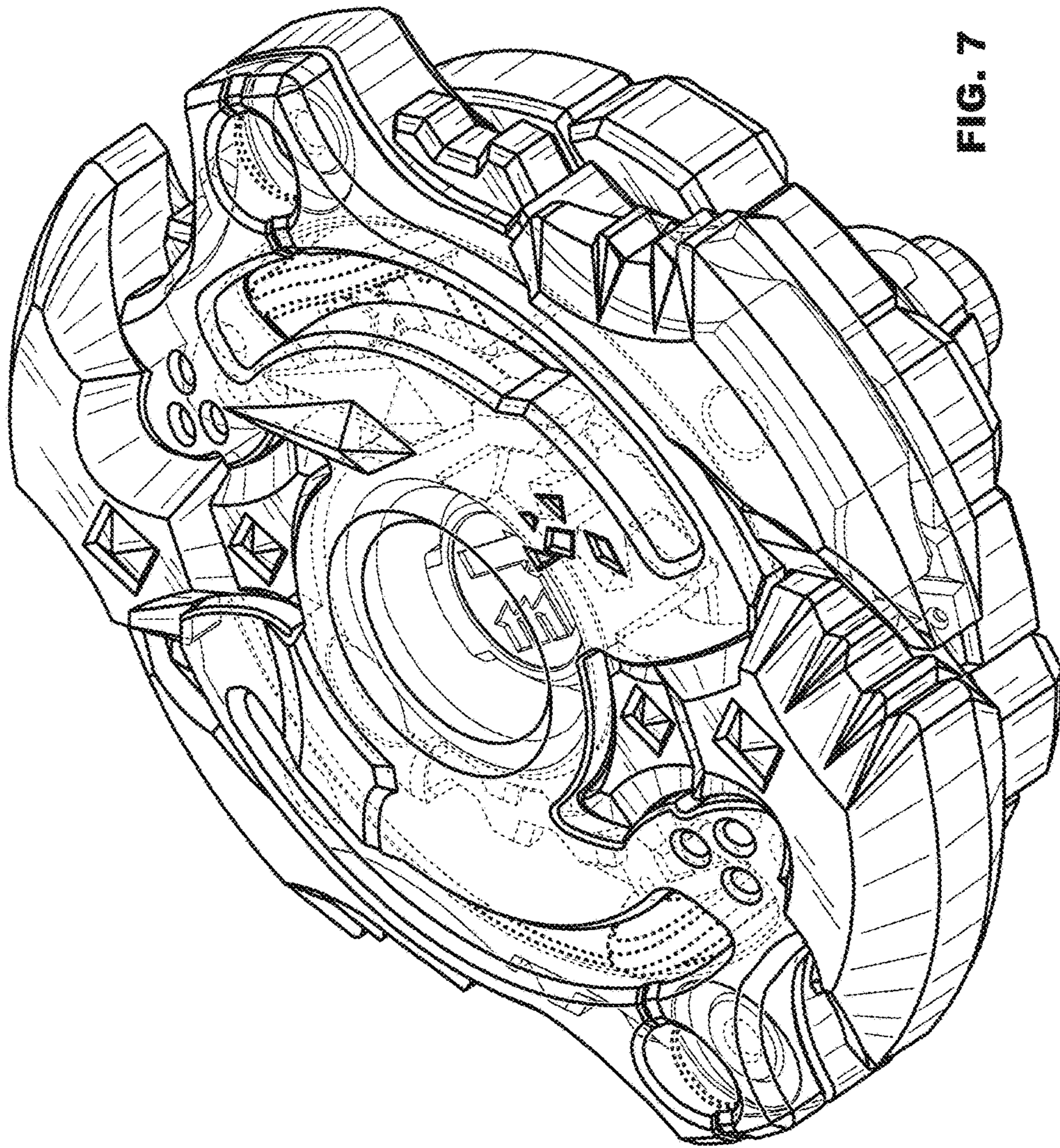


FIG. 7

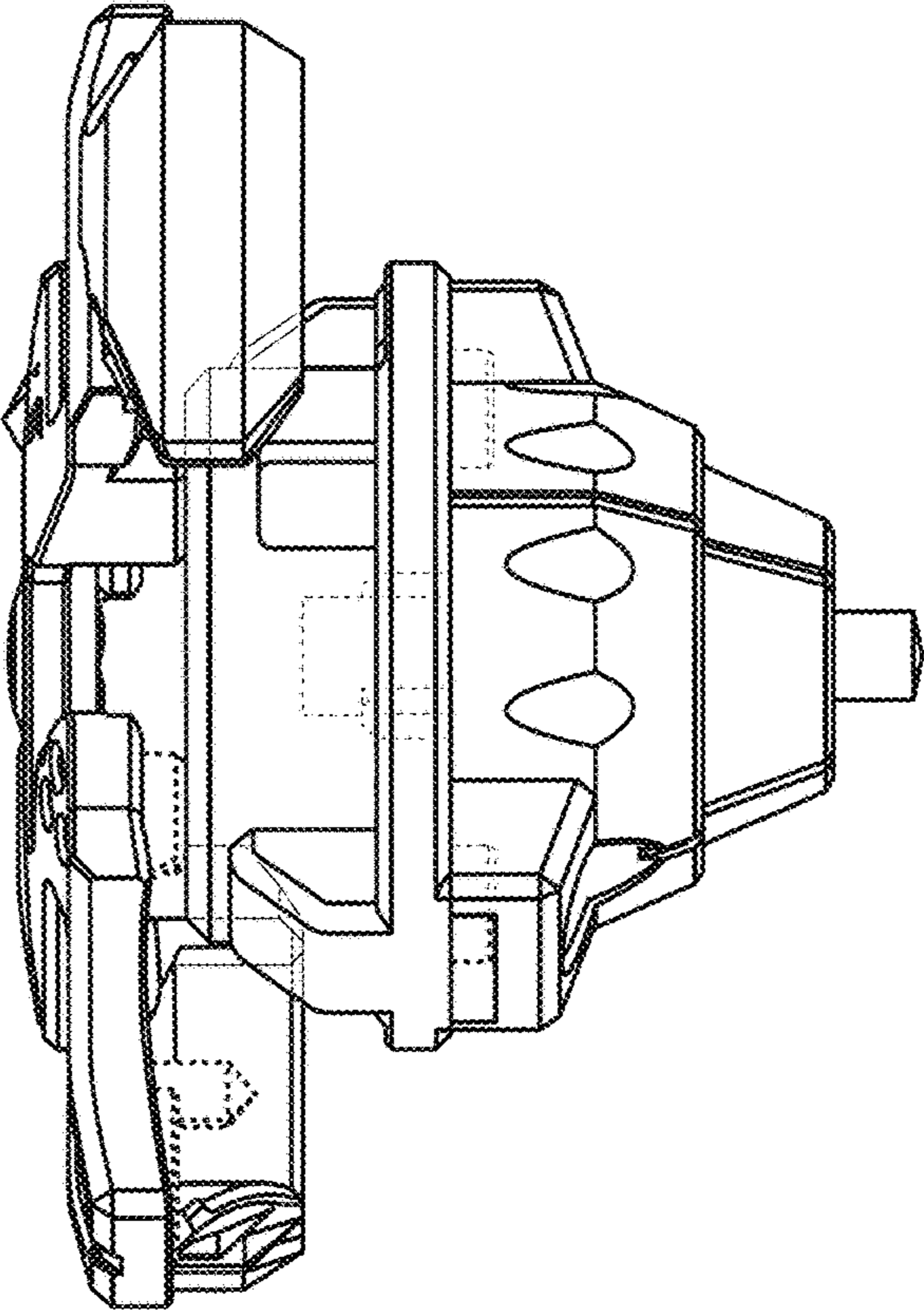


FIG. 8

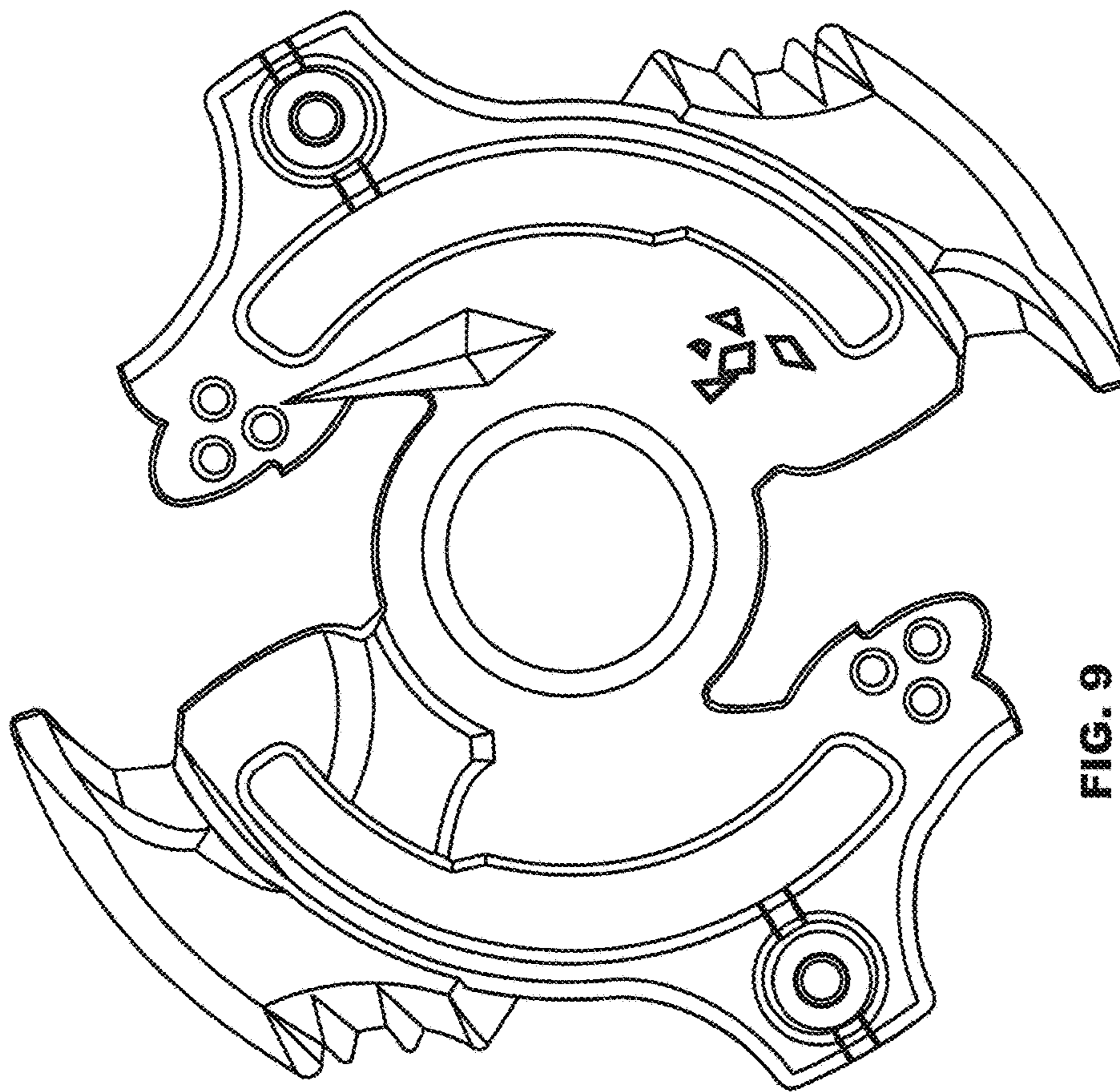


FIG. 9

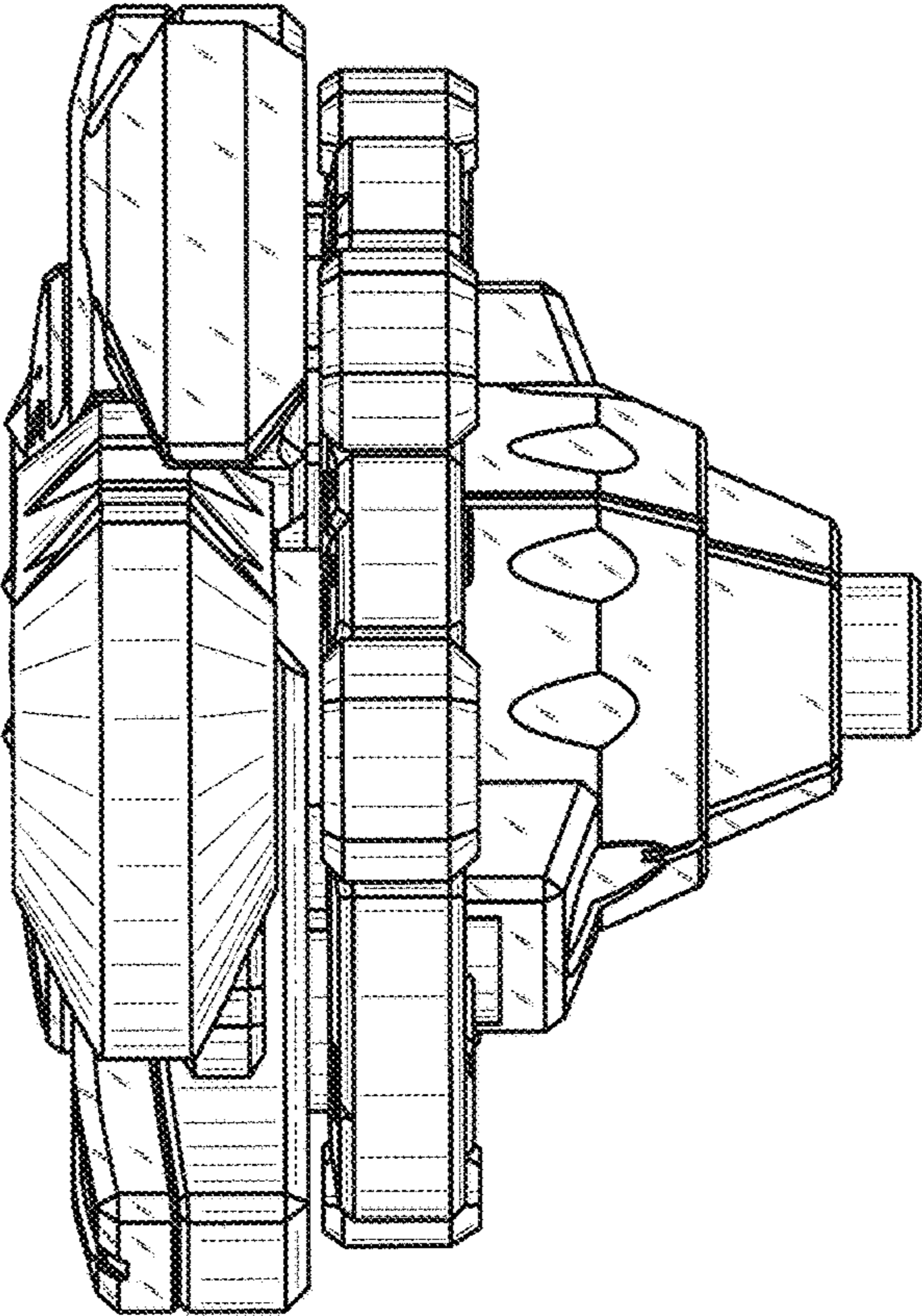


FIG. 10

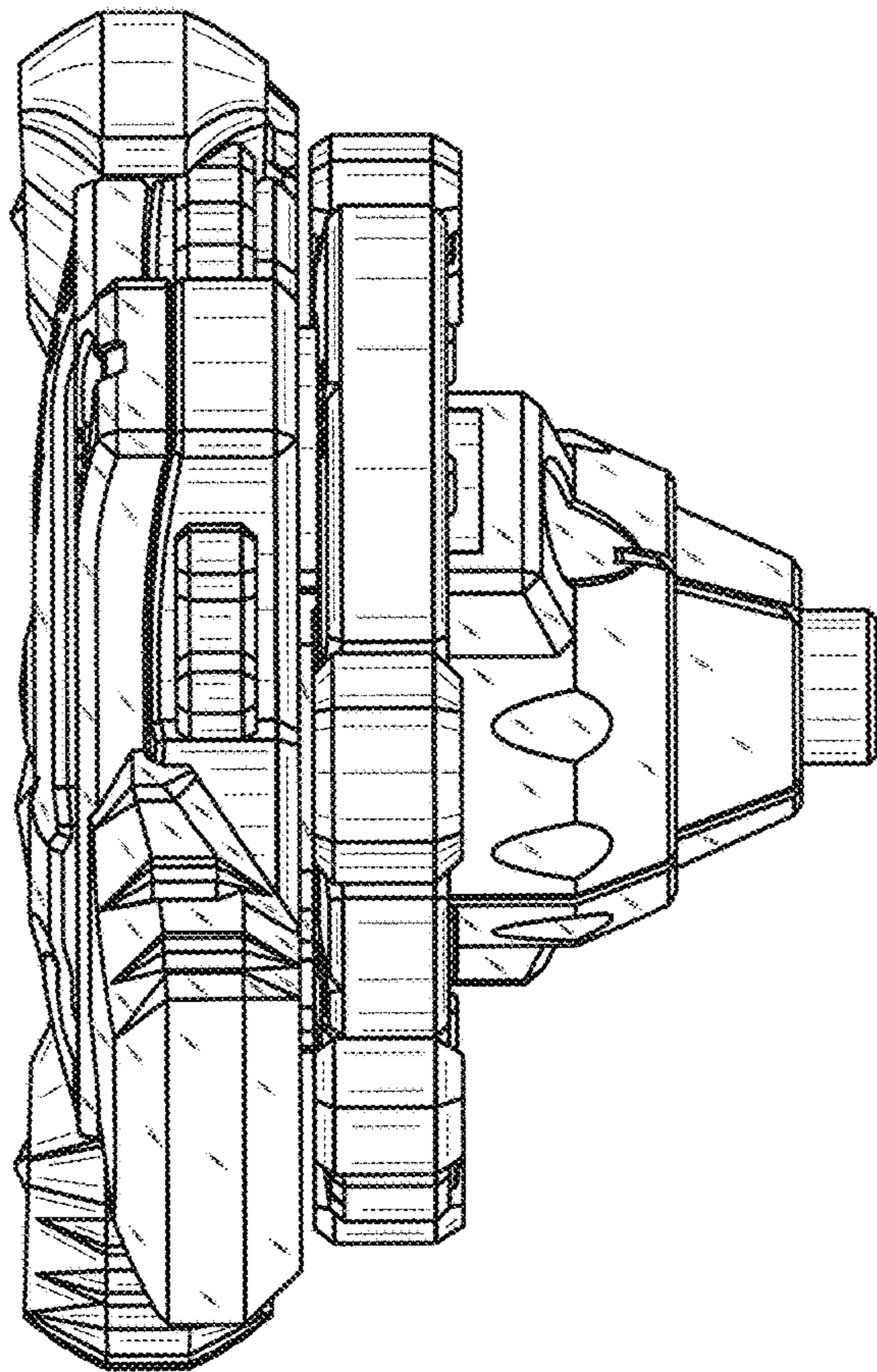


FIG. 11

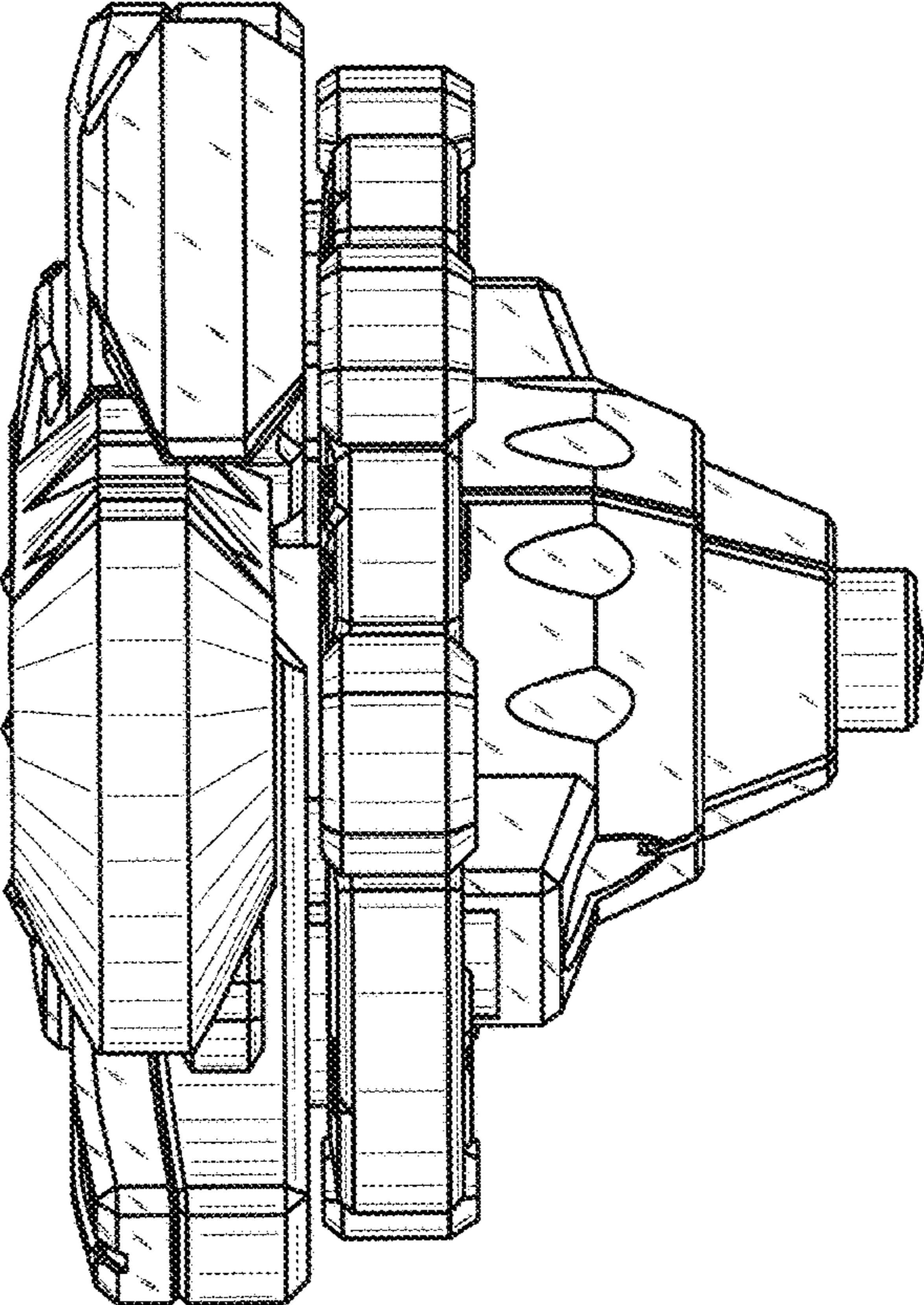


FIG. 12

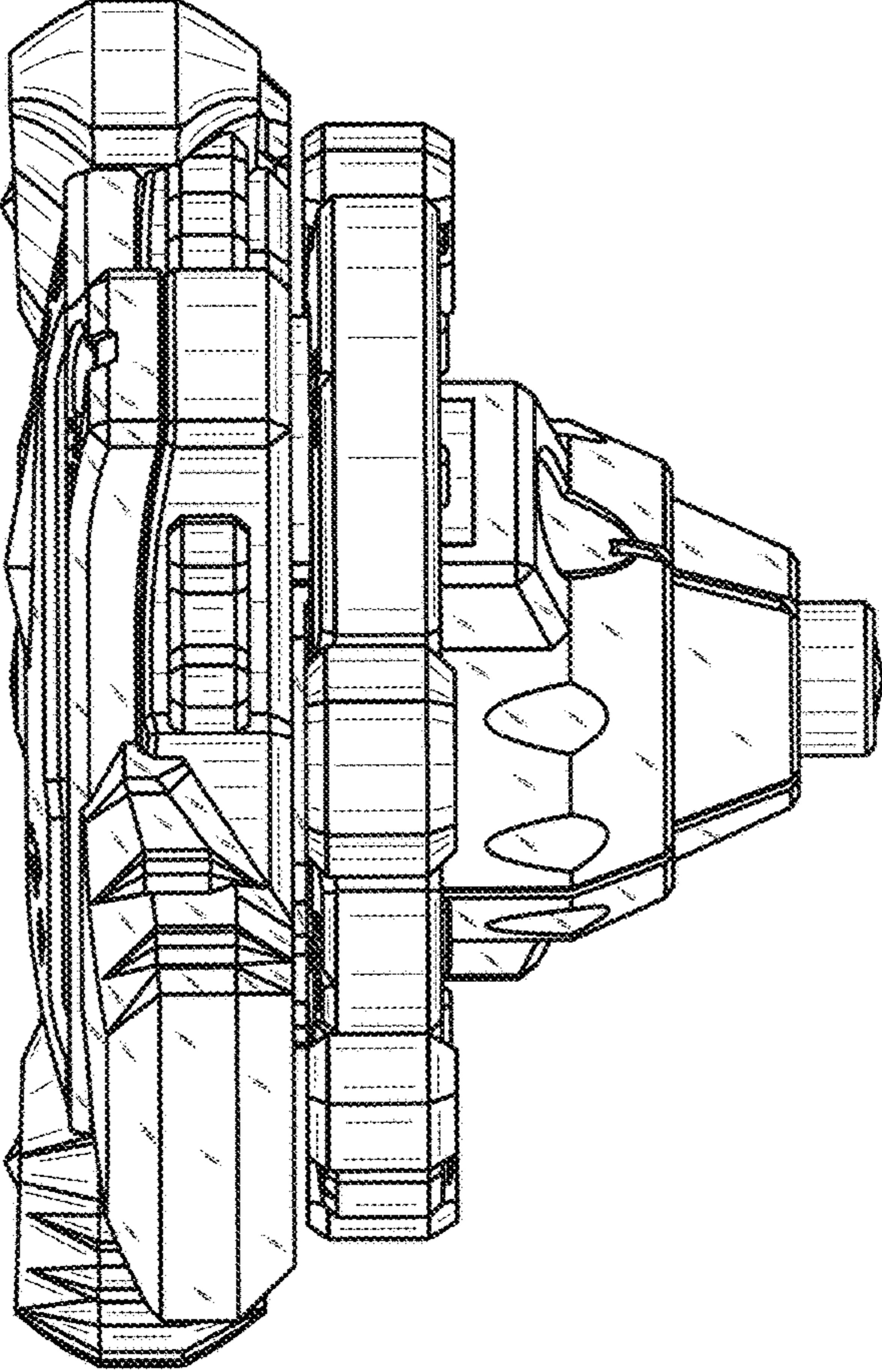


FIG. 13

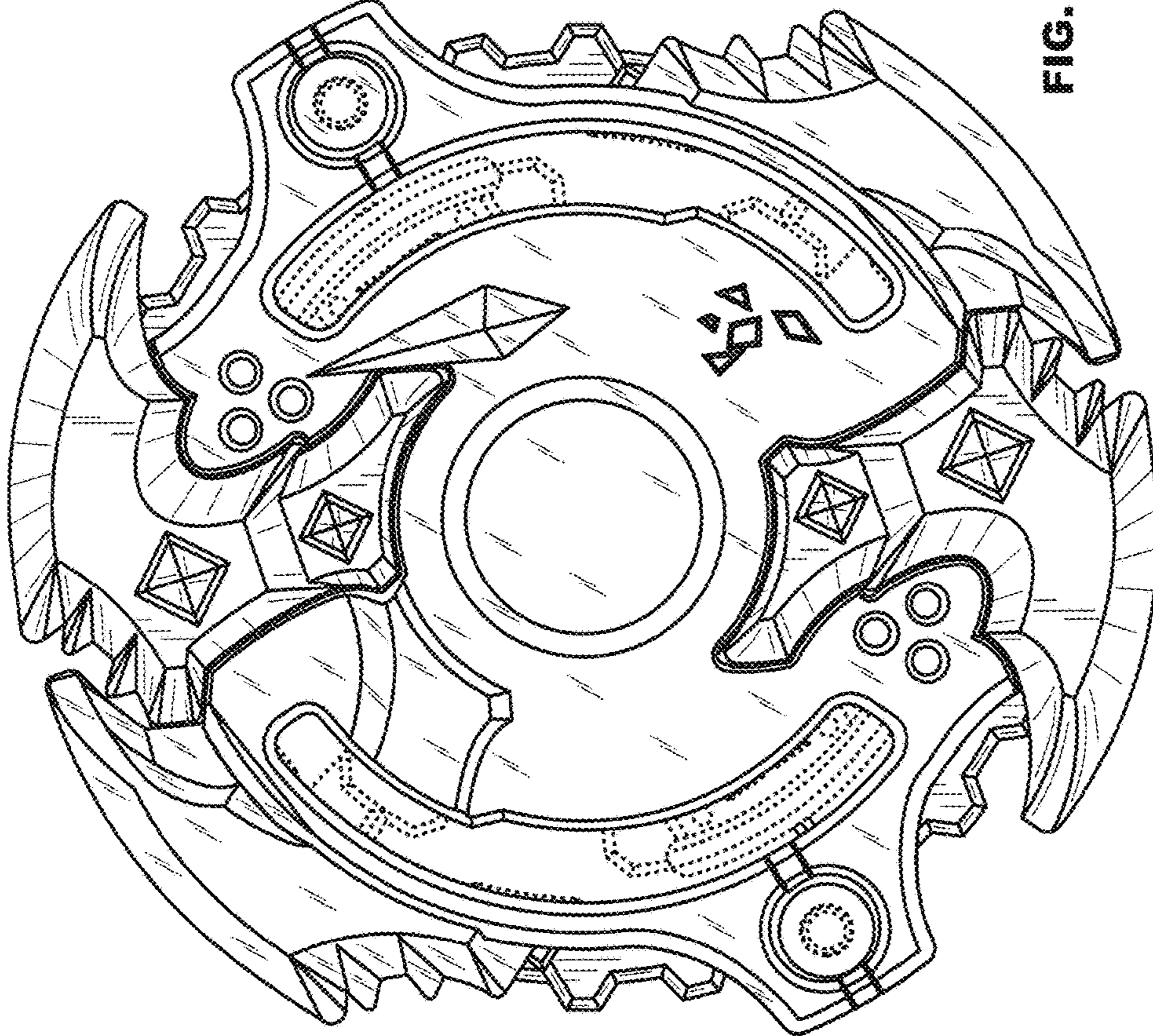


FIG. 14

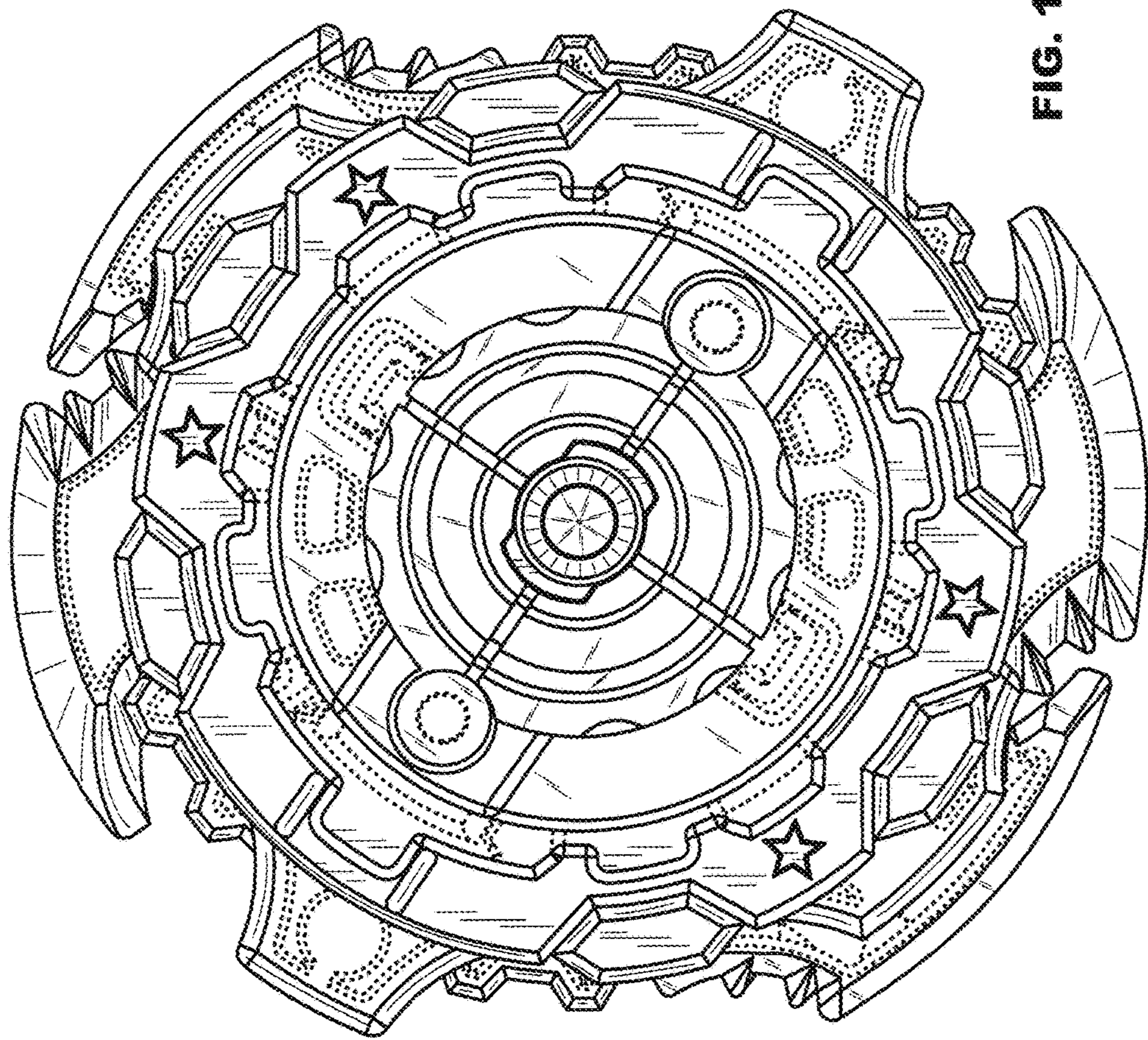


FIG. 15

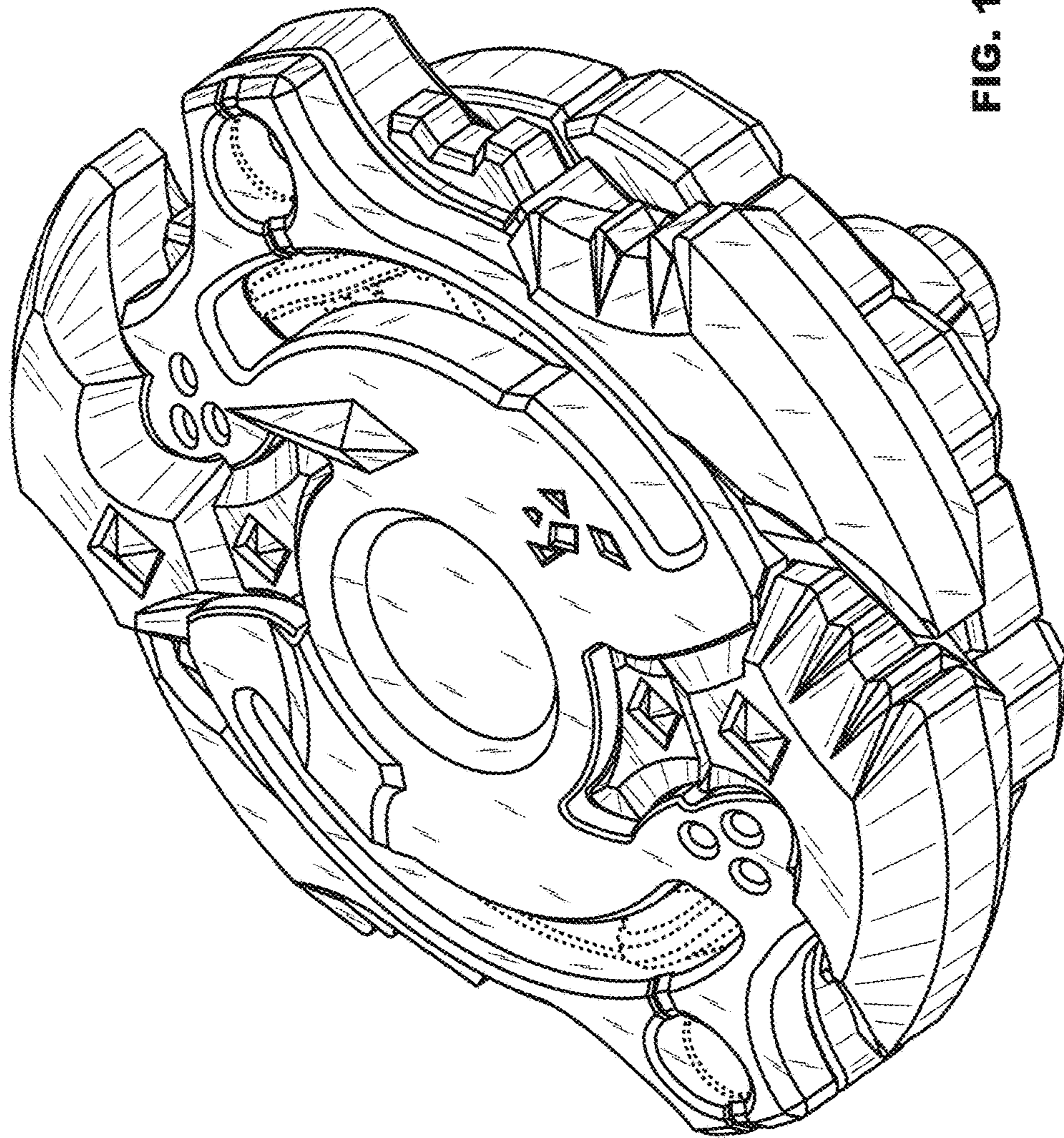


FIG. 16

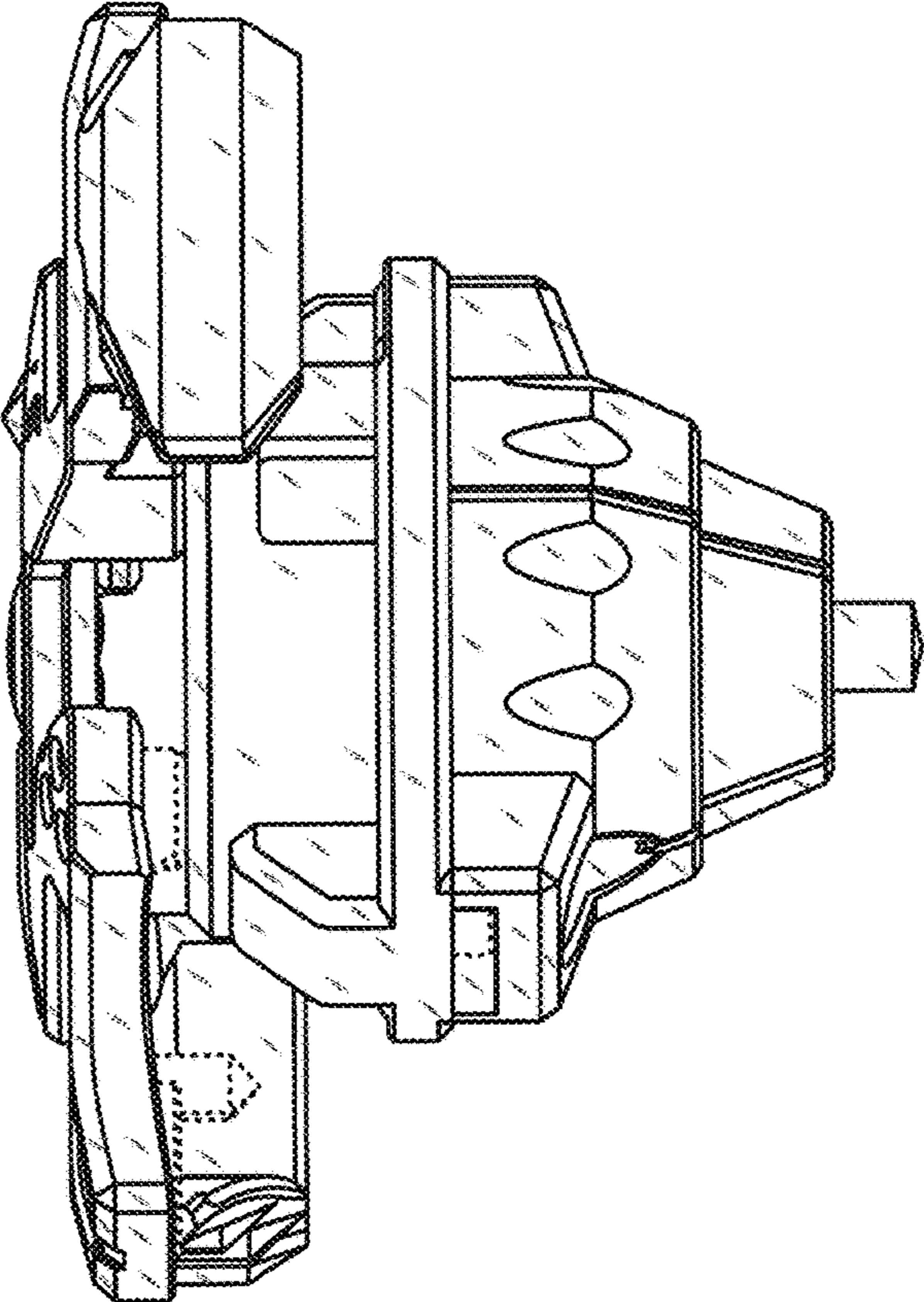


FIG. 17