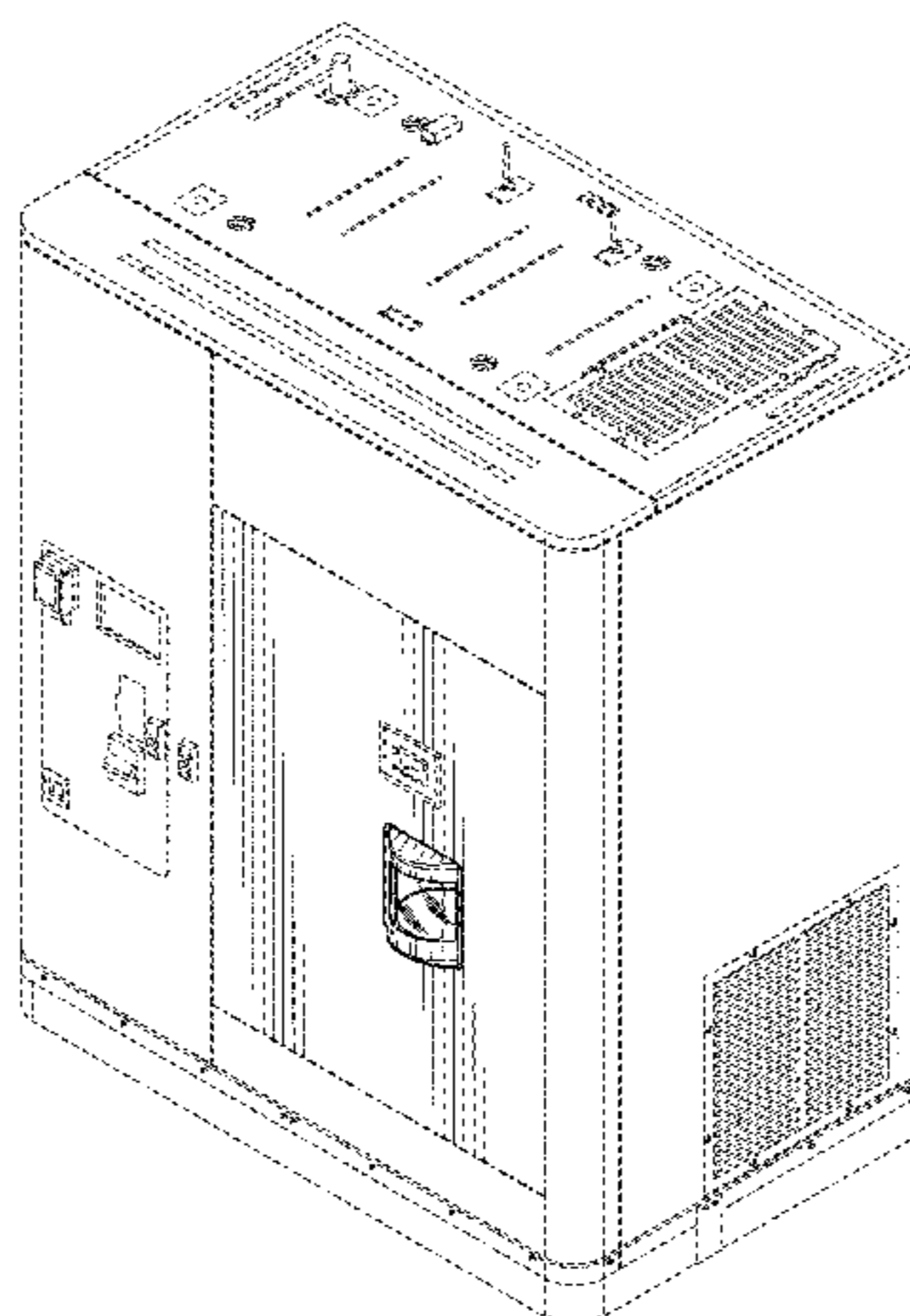




US00D834092S

(12) **United States Design Patent** (10) **Patent No.:** **US D834,092 S**  
**Bruckner et al.** (45) **Date of Patent:** **\*\* Nov. 20, 2018**

- (54) **FROZEN FOOD PRODUCT VENDING MACHINE** 3,276,633 A 10/1966 Rahauser  
3,318,428 A \* 5/1967 Klein ..... G07C 9/00079  
221/1
- (71) Applicant: **The Vollrath Company, L.L.C.,** 3,554,364 A 1/1971 Lane et al.  
Sheboygan, WI (US) 3,638,392 A 2/1972 Welker et al.  
3,863,724 A 2/1975 Dalia, Jr.  
4,098,384 A 7/1978 Kovar
- (72) Inventors: **Gary E. Bruckner,** Kiel, WI (US); 4,226,269 A 10/1980 Carr et al.  
**Richard Koehl,** Sheboygan Falls, WI 4,232,798 A 11/1980 Hammel et al.  
(US); **Tony J. Kopidlansky,** 4,378,164 A 3/1983 Manfroni  
Manitowoc, WI (US); **Aamer** 4,417,610 A 11/1983 Waldstrom et al.  
**Mohammed,** Manitowoc, WI (US); 4,446,896 A 5/1984 Campagna  
**Douglas J. Shymanski,** New Holstein, 4,469,150 A 9/1984 Grimaldi  
WI (US); **Dave Wattenford,** 4,645,093 A 2/1987 Jones  
Sheboygan, WI (US); **Ken** 4,953,751 A 9/1990 Shannon  
**Wetenkamp,** Plymouth, WI (US) 5,009,330 A 4/1991 Young et al.  
5,025,840 A 6/1991 Tacke  
5,027,698 A 7/1991 Chirnomas
- (73) Assignee: **The Vollrath Company, L.L.C.,** 5,148,905 A 9/1992 Tacke et al.  
Sheboygan, WI (US) 5,350,082 A 9/1994 Kiriakides et al.  
5,353,904 A 10/1994 Tacke et al.  
5,382,090 A 1/1995 Cocchi
- (\*\*) Term: **15 Years** 5,400,614 A 3/1995 Feola  
5,404,797 A \* 4/1995 Millar ..... A47J 37/1228  
221/150 HC
- (21) Appl. No.: **29/550,807** 5,450,980 A 9/1995 Laidlaw
- (22) Filed: **Jan. 7, 2016** 5,491,333 A 2/1996 Skell et al.
- (51) **LOC (11) Cl.** ..... **20-01** 5,575,066 A 11/1996 Cocchi
- (52) **U.S. Cl.** 5,603,229 A 2/1997 Cocchi et al.  
USPC ..... **D20/8** 5,615,952 A 4/1997 Cocchi
- (58) **Field of Classification Search** 5,653,118 A 8/1997 Cocchi et al.  
USPC ..... D20/1-9; D15/79, 81, 82, 89; D99/28; 5,671,662 A 9/1997 Cocchi et al.  
D7/590 5,727,609 A 3/1998 Knight et al.  
CPC ..... G07F 7/0609; G07F 7/069; G07F 9/026; 5,823,392 A 10/1998 Madico  
G07F 9/10; G07F 9/16; G07F 11/00; 5,957,040 A 9/1999 Feola  
G07F 11/005; G07F 11/007; G07F 11/02; 6,082,419 A 7/2000 Skell et al.  
G07F 11/04; G07F 11/10; G07F 11/14; 6,112,539 A \* 9/2000 Colberg ..... F25C 5/007  
G07F 11/32; G07F 11/46; G07F 11/62; 6,238,180 B1 5/2001 Magoshi et al.  
G07F 11/54; G07F 5/00; G07F 5/18; 6,264,066 B1 7/2001 Vincent et al.  
A47F 1/08; A47F 1/10; G09F 15/00; 6,304,796 B1 10/2001 Ding  
G09F 17/00; G09F 17/0071; A23G 9/225 6,305,573 B1 10/2001 Fritze et al.  
See application file for complete search history. 6,325,250 B1 12/2001 Feola  
6,389,962 B1 5/2002 Han et al.  
6,390,334 B1 5/2002 Kim et al.  
6,424,884 B1 7/2002 Brooke et al.  
6,485,768 B2 11/2002 Feola  
6,598,758 B2 7/2003 Kim et al.  
6,698,228 B2 3/2004 Kateman et al.  
6,723,361 B2 4/2004 Feola  
6,745,593 B2 6/2004 Cocchi et al.  
6,907,743 B2 6/2005 Cocchi et al.  
7,013,932 B2 3/2006 Berghoff et al.
- (56) **References Cited**
- U.S. PATENT DOCUMENTS
- D111,772 S \* 10/1938 Kettleborough ..... D15/82  
2,663,482 A 12/1953 Gilberty



7,036,724 B2 *	5/2006	Lealao .....	G06Q 20/363 235/381
7,204,360 B2	4/2007	Rasmussen	
7,264,156 B2 *	9/2007	Lealao .....	G06Q 20/20 235/380
7,299,109 B2	11/2007	Juds et al.	
7,428,824 B1	9/2008	Malachowsky et al.	
7,448,516 B2	11/2008	Davis et al.	
7,476,353 B2	1/2009	Cocchi et al.	
7,750,817 B2	7/2010	Teller	
7,756,604 B1	7/2010	Davis et al.	
7,762,181 B2	7/2010	Boland et al.	
7,815,954 B2	10/2010	Miller et al.	
7,845,375 B2	12/2010	Dorney	
7,885,520 B2	2/2011	Stettes	
7,896,038 B2	3/2011	Jones et al.	
7,899,713 B2	3/2011	Rothschild	
8,091,374 B2	1/2012	Chang	
8,245,735 B2	8/2012	Chase et al.	
8,297,182 B2	10/2012	Cocchi et al.	
8,335,587 B2	12/2012	Feola	
8,404,166 B2	3/2013	Cocchi et al.	
8,479,532 B2	7/2013	Cocchi et al.	
8,496,141 B2	7/2013	McKay et al.	
8,579,155 B2	11/2013	Malachowsky et al.	
8,591,097 B2	11/2013	Cocchi et al.	
8,739,565 B2	6/2014	Cocchi et al.	
8,746,295 B2	6/2014	Mueller et al.	
8,869,540 B2	10/2014	Cocchi et al.	
8,944,289 B2	2/2015	Cocchi et al.	
8,978,931 B2	3/2015	Cocchi et al.	
9,259,016 B2	2/2016	Mohammed et al.	
2002/0040915 A1	4/2002	Kim et al.	
2002/0113078 A1	8/2002	Kim et al.	
2004/0251270 A1	12/2004	Davis et al.	
2005/0263536 A1	12/2005	Selfridge et al.	
2007/0062981 A1	3/2007	Cocchi et al.	
2007/0199614 A1	8/2007	Cocchi et al.	
2007/0210105 A1	9/2007	Malachowsky et al.	
2007/0254084 A1	11/2007	Cocchi et al.	
2007/0267087 A1	11/2007	Jones et al.	
2008/0153567 A1	6/2008	Juds et al.	
2009/0007984 A1	1/2009	Nuriely	
2009/0139257 A1	6/2009	Cocchi et al.	
2009/0157505 A1	6/2009	Yokoyama	
2009/0238931 A1	9/2009	Herrick et al.	
2009/0293733 A1	12/2009	Martin et al.	
2010/0062128 A1 *	3/2010	Khoo .....	A23F 5/465 426/474
2010/0101235 A1	4/2010	Cocchi et al.	
2010/0122539 A1	5/2010	Cocchi et al.	
2010/0125362 A1	5/2010	Canora et al.	
2011/0006079 A1	1/2011	McKay et al.	
2011/0011887 A1	1/2011	Zaniboni et al.	
2011/0101039 A1	5/2011	Cocchi et al.	
2011/0108569 A1	5/2011	Jones et al.	
2011/0256617 A1	10/2011	Cocchi et al.	
2011/0271690 A1	11/2011	Cocchi et al.	
2012/0017606 A1	1/2012	Cocchi et al.	
2012/0103201 A1	5/2012	Cocchi et al.	
2012/0227420 A1	9/2012	Soderman	
2012/0251697 A1	10/2012	Cocchi et al.	
2013/0000338 A1	1/2013	Cocchi et al.	
2013/0014650 A1	1/2013	Cocchi et al.	
2013/0269381 A1	10/2013	Cocchi et al.	
2013/0269540 A1	10/2013	Cocchi et al.	

2014/0212559 A1	7/2014	Cocchi et al.
2014/0261873 A1	9/2014	Mohammed et al.
2014/0295044 A1	10/2014	Cocchi et al.
2014/0335250 A1	11/2014	Cocchi et al.
2014/0348999 A1	11/2014	Cocchi et al.
2014/0356494 A1	12/2014	Cocchi et al.
2015/0044331 A1	2/2015	Cocchi et al.

FOREIGN PATENT DOCUMENTS

EP	0 596 722	5/1994
EP	1 450 318	8/2004
EP	1 829 453	6/2011
EP	2 197 291	11/2011
JP	2009-278983 A	12/2009
KR	20-0203220	11/2000
KR	20-0231268	7/2001
KR	20030060379	7/2003
WO	WO-2012/007773	1/2012

OTHER PUBLICATIONS

International Search Report and Written Opinion, PCT/US2016/027251, PW Stoelting, L.L.C., 13 pages (Jun. 30, 2016).  
 International Search Report and Written Opinion for PCT Application PCT/US2014/017044, dated May 27, 2014, 11 pages.  
 Extended Search Report for European Application No. 14774864.4, dated Aug. 14, 2017, 13 pages.  
 Partial Supplementary Search Report for European Application No. 14774864.4, dated Apr. 19, 2017, 5 pages.

\* cited by examiner

*Primary Examiner* — Mary Ann Calabrese  
 (74) *Attorney, Agent, or Firm* — Foley & Lardner LLP

(57) **CLAIM**

We claim the ornamental design for a frozen food product vending machine, as shown and described.

**DESCRIPTION**

FIG. 1 is a front perspective view from above of the claimed design;  
 FIG. 2 is a front view of the claimed design of FIG. 1;  
 FIG. 3 is a rear view of the claimed design of FIG. 1;  
 FIG. 4 is a left side view of the claimed design of FIG. 1;  
 FIG. 5 is a right side view of the claimed design of FIG. 1;  
 and,  
 FIG. 6 is a top view of the claimed design of FIG. 1.  
 Any portion of the article depicted in broken lines forms no part of the claimed design. Broken lines formed by equal length dashes show unclaimed portions of the design. Broken lines formed of unequal length dashes (i.e., dash-dot) show boundaries between claimed and unclaimed portions of the design.

**1 Claim, 6 Drawing Sheets**

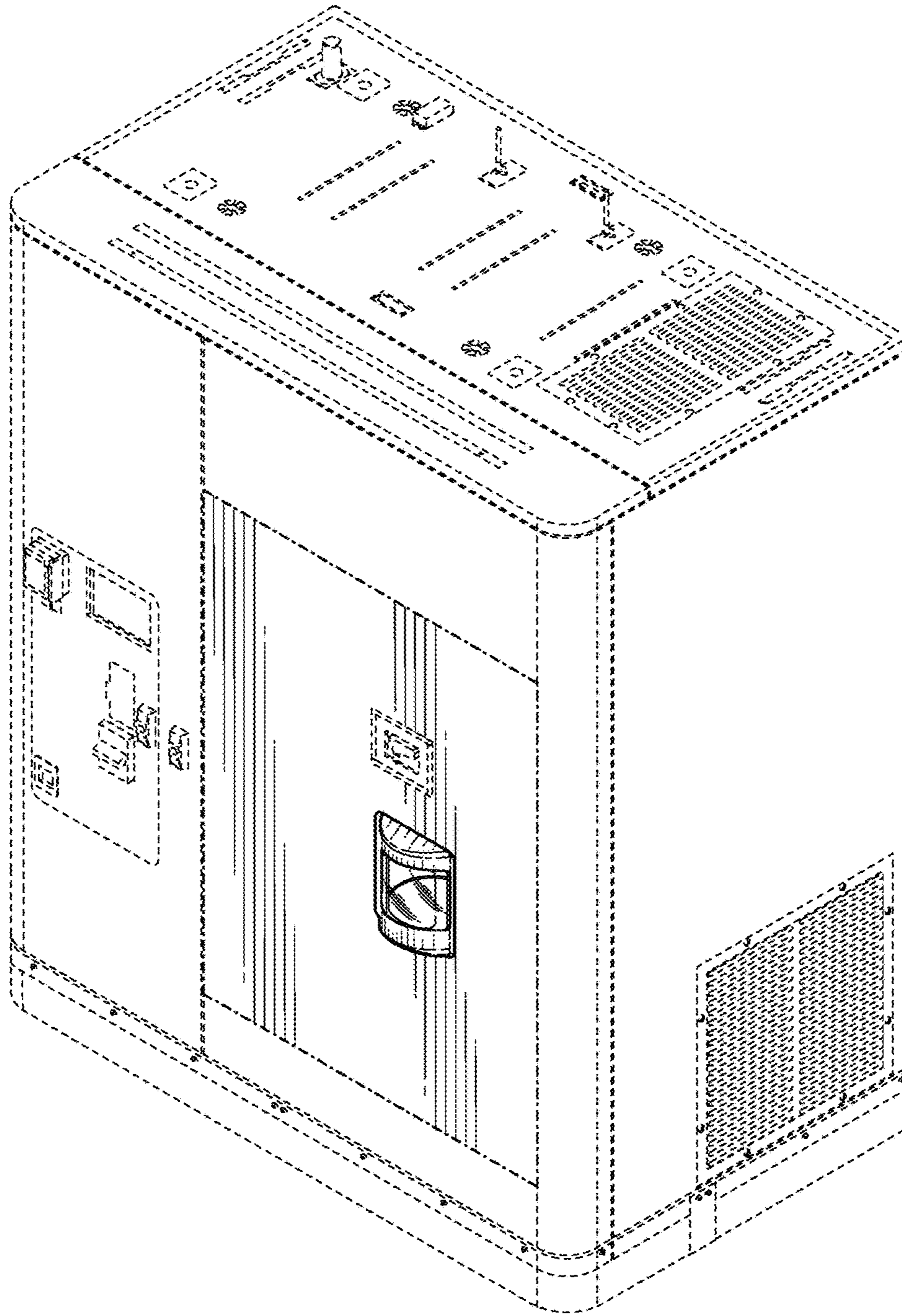


FIG. 1

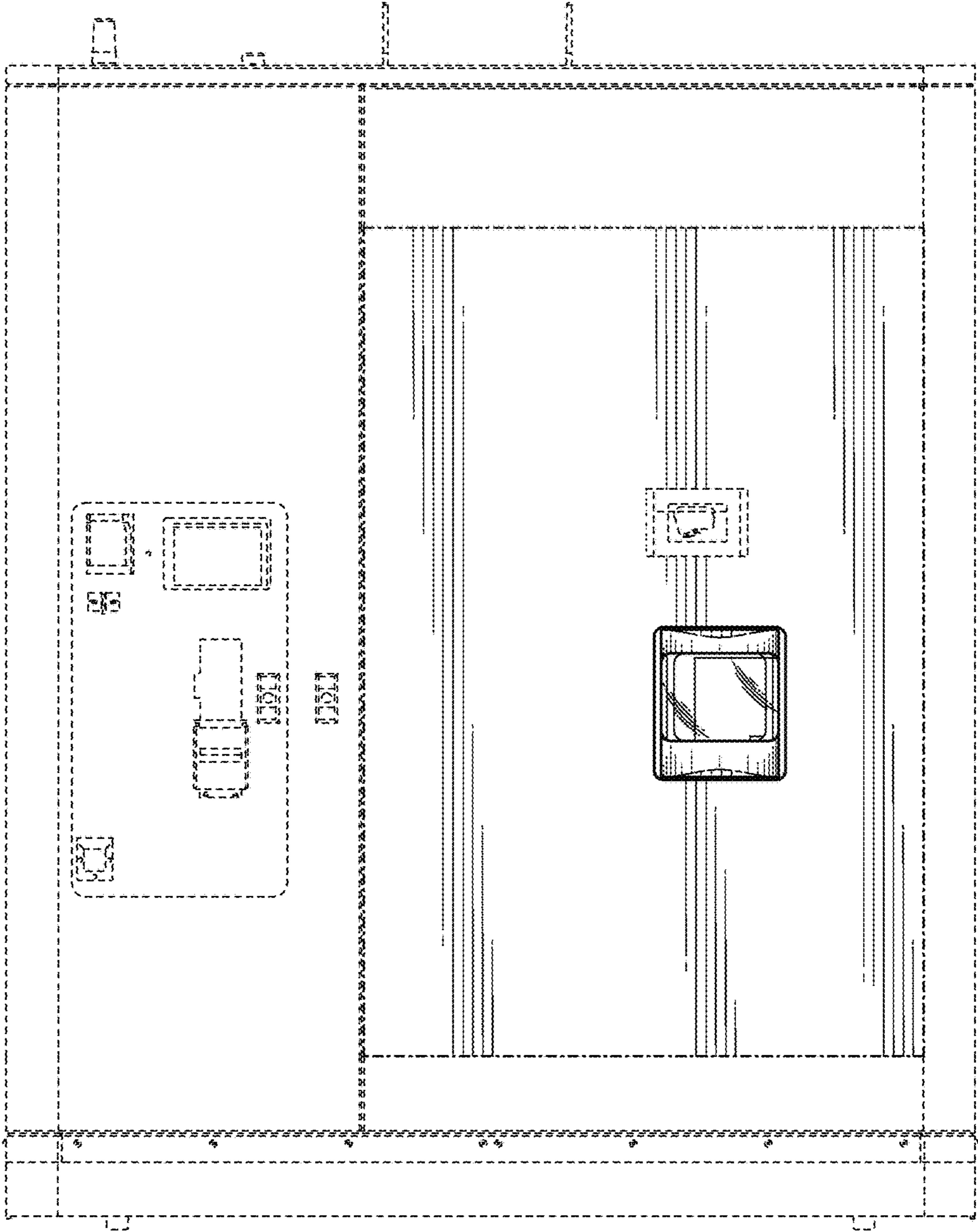


FIG. 2

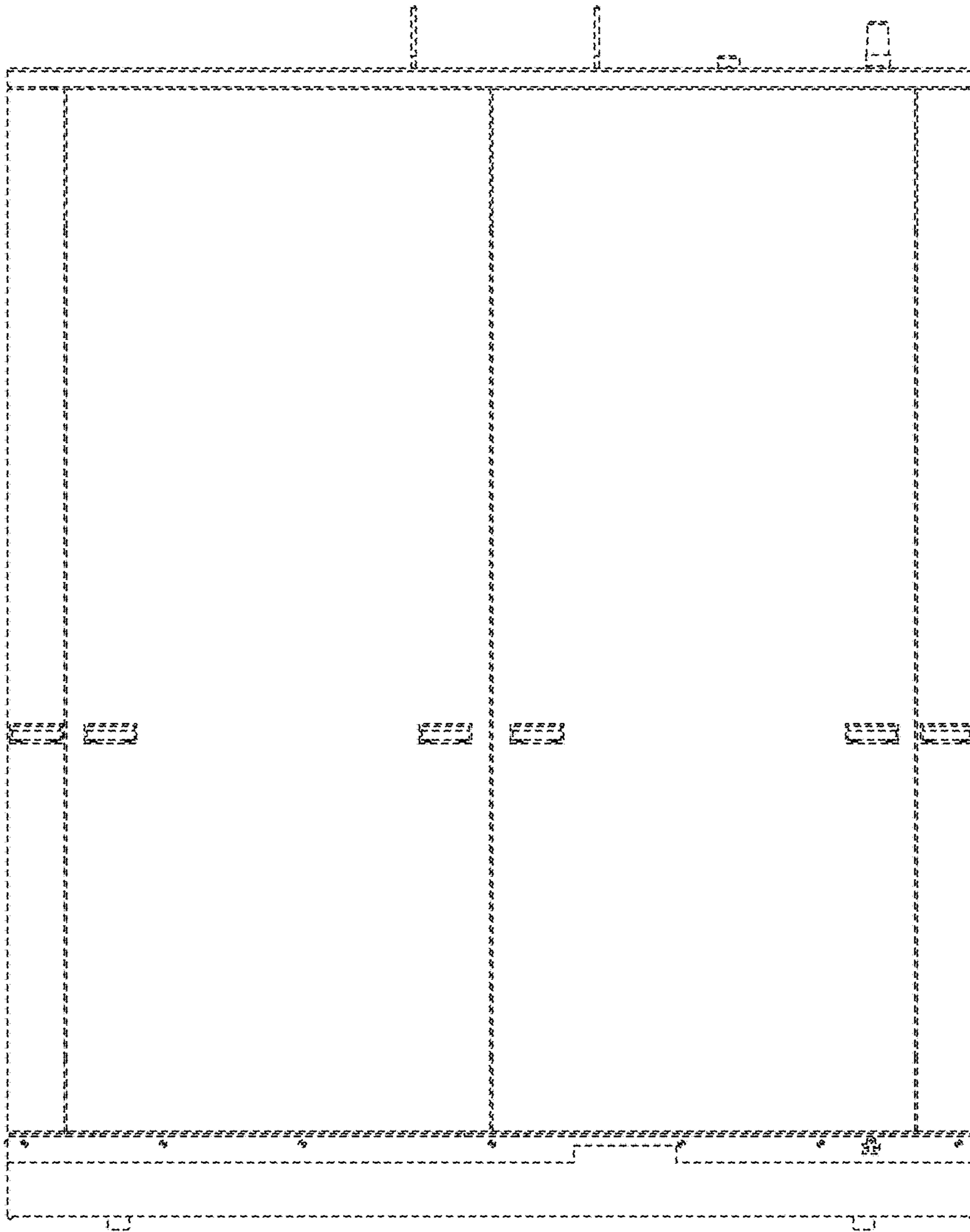


FIG. 3

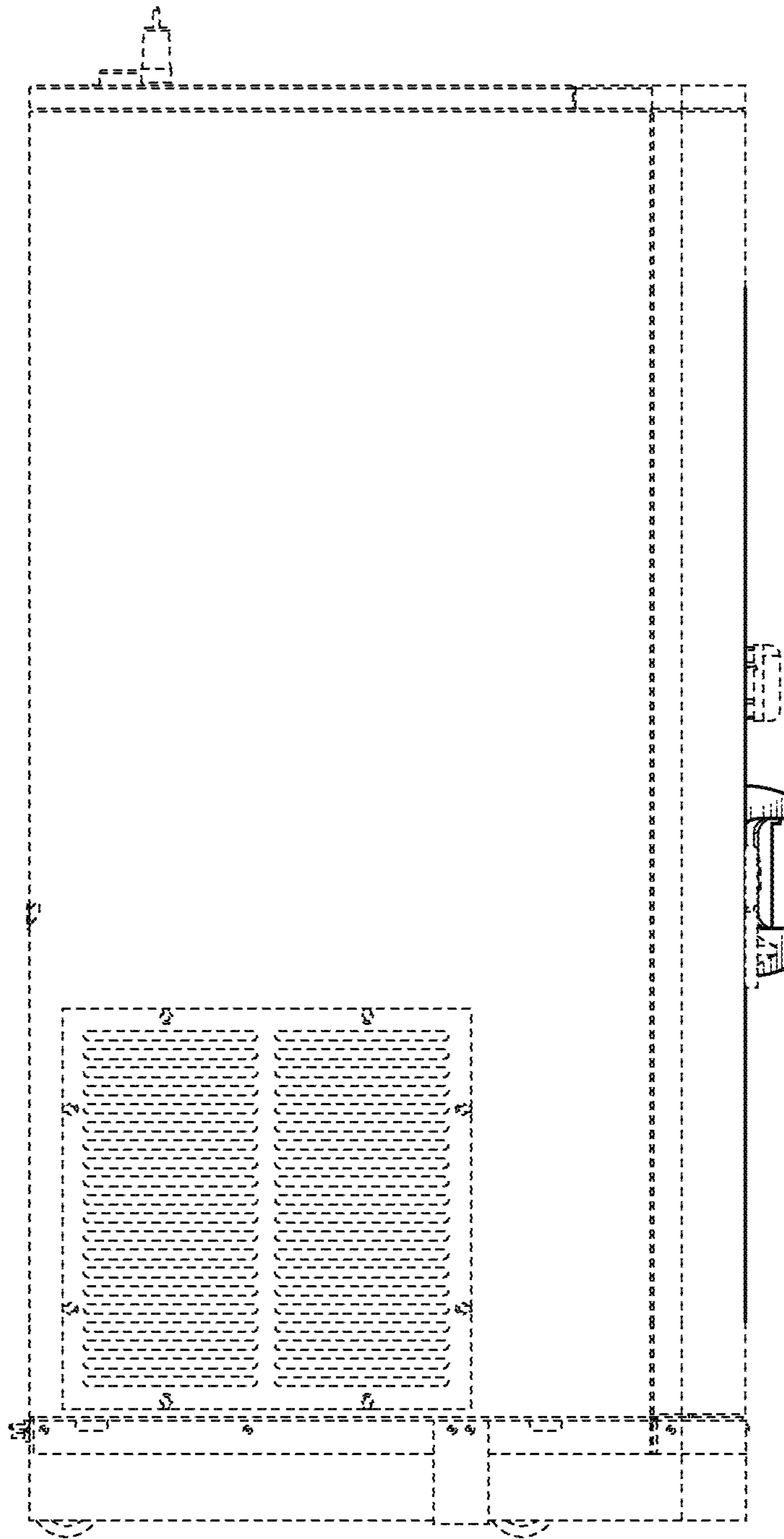


FIG. 4

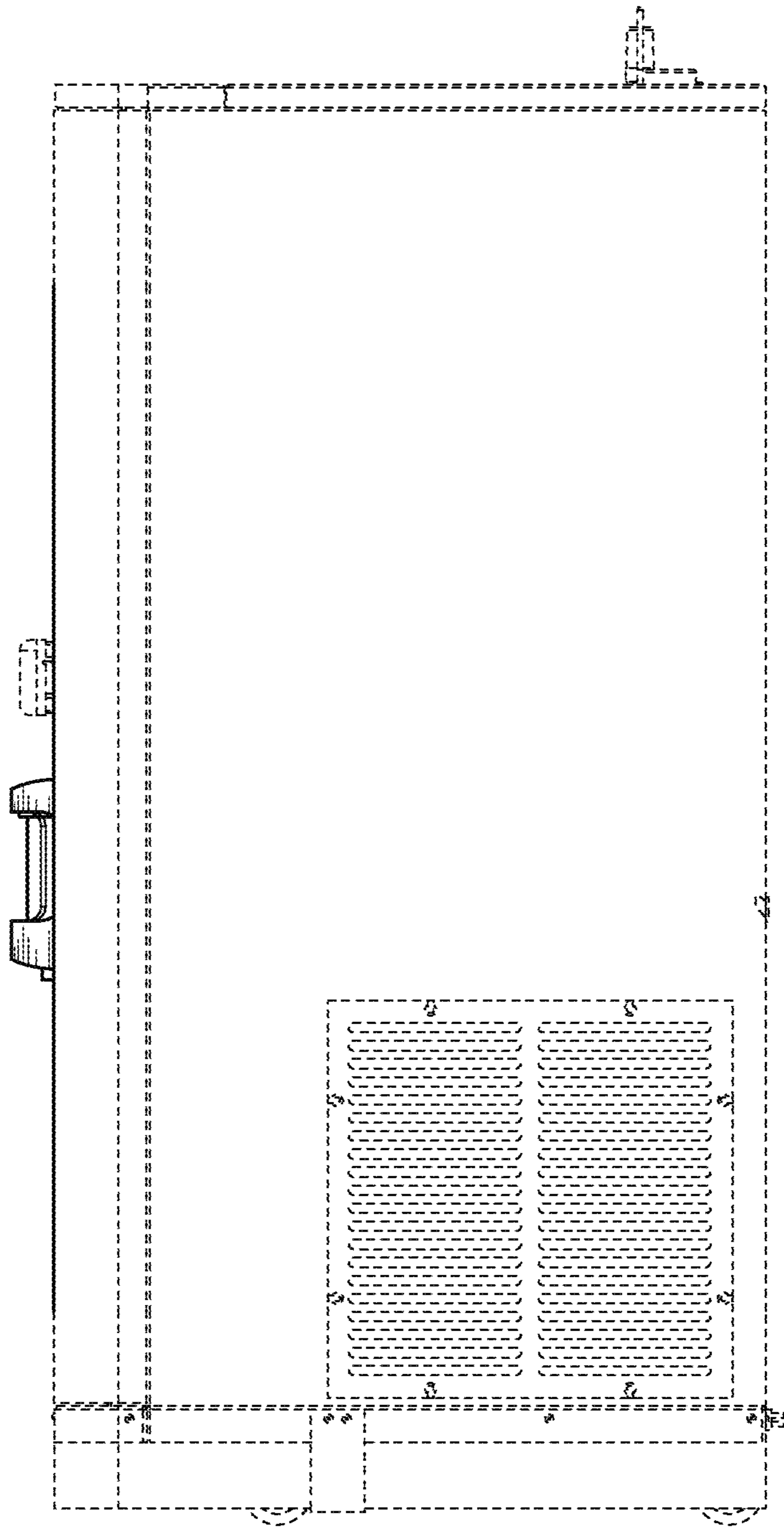


FIG. 5

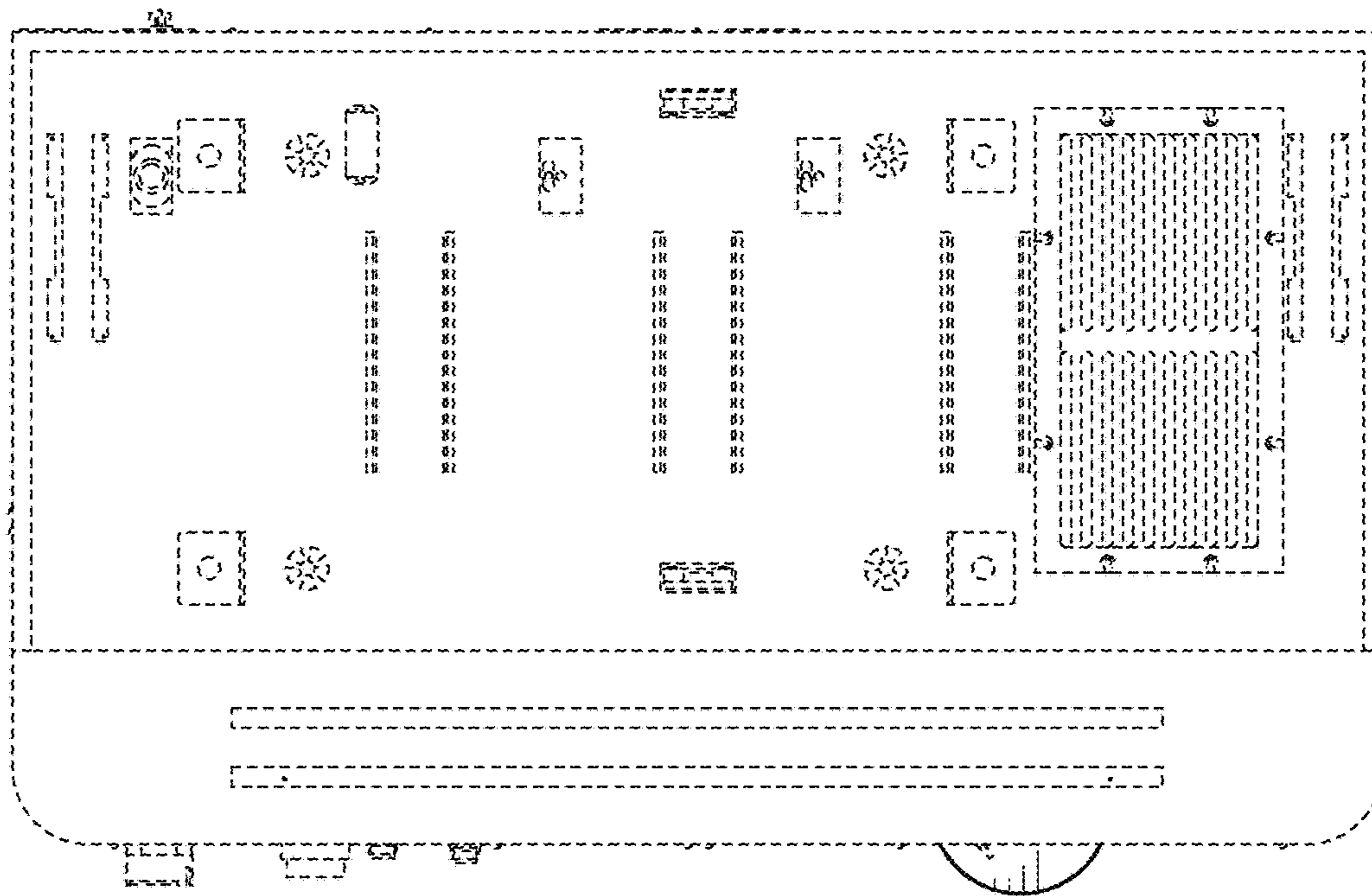


FIG. 6