



US00D834088S

(12) **United States Design Patent** (10) **Patent No.:** **US D834,088 S**
Shih (45) **Date of Patent:** **** Nov. 20, 2018**

(54) **INK STAMP**

- (71) Applicant: **SUN SAME ENTERPRISES CO., LTD.**, Tainan (TW)
- (72) Inventor: **Wen-Jer Shih**, Tainan (TW)
- (73) Assignee: **SUN SAME ENTERPRISES CO., LTD.**, Tainan (TW)
- (**) Term: **15 Years**

- (21) Appl. No.: **29/592,023**
- (22) Filed: **Jan. 26, 2017**
- (51) **LOC (11) Cl.** **19-02**
- (52) **U.S. Cl.**
USPC **D18/15**
- (58) **Field of Classification Search**
USPC D18/15, 16, 17, 18, 50; D19/65-68, 70, D19/71
CPC . B41J 2/1752; B41J 3/36; B41J 29/023; B41J 2/17526; B41J 3/28; B41K 1/00; B41K 1/38; B41K 1/006; B41K 1/02; B41K 1/08; B41K 1/40; B41K 1/42; B41K 1/52; B41K 1/54; B41K 1/56; B41K 1/36; B23K 26/00; B23K 26/10; B41C 3/04; B41D 7/00

See application file for complete search history.

(56) **References Cited**

U.S. PATENT DOCUMENTS

- 3,924,326 A * 12/1975 Di Gaetano A47J 43/26 30/120.1
- D241,979 S * 10/1976 Funahashi D18/15
- D280,733 S * 9/1985 Fujikura D18/15
- D280,910 S * 10/1985 Fujikura D18/15
- D284,014 S * 5/1986 Iwasaki D18/15
- D324,062 S * 2/1992 Bengtsson D18/14

(Continued)

FOREIGN PATENT DOCUMENTS

- CN 302152062 * 10/2012
- CN 302152063 * 10/2012

OTHER PUBLICATIONS

Indianastamp. Link:<http://www.indianastamp.com/products/noris-uni-pad-iii> Visited Aug. 23, 2018. Uni Pad II ink pad for fast dry inks. (Year: 2018).*

Primary Examiner — Bridget L Eland
Assistant Examiner — Lauren D McVey

(74) *Attorney, Agent, or Firm* — Pai Patent & Trademark Law Firm; Chao-Chang David Pai

(57) **CLAIM**

The ornamental design for an ink stamp, as shown and described.

DESCRIPTION

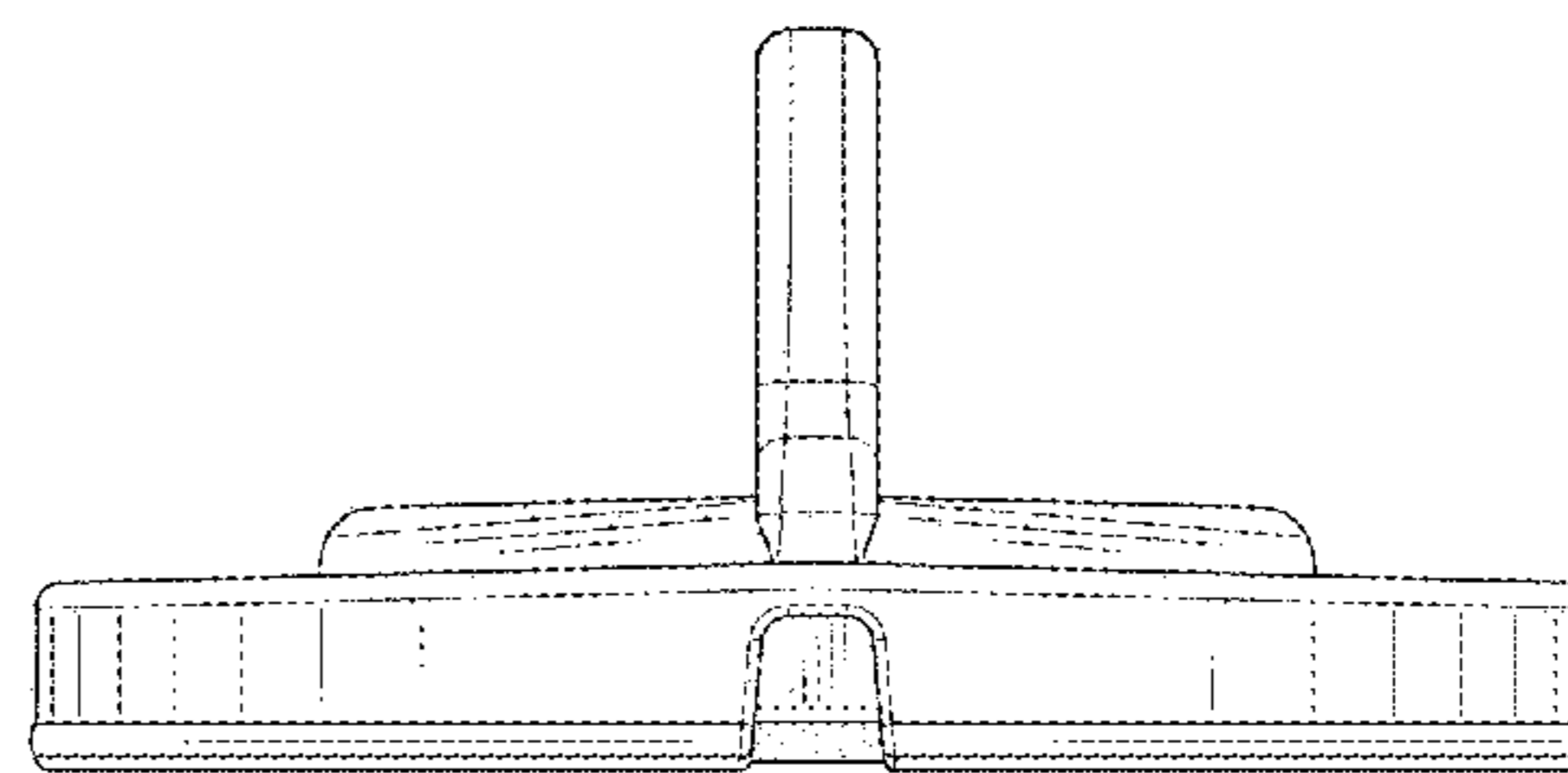
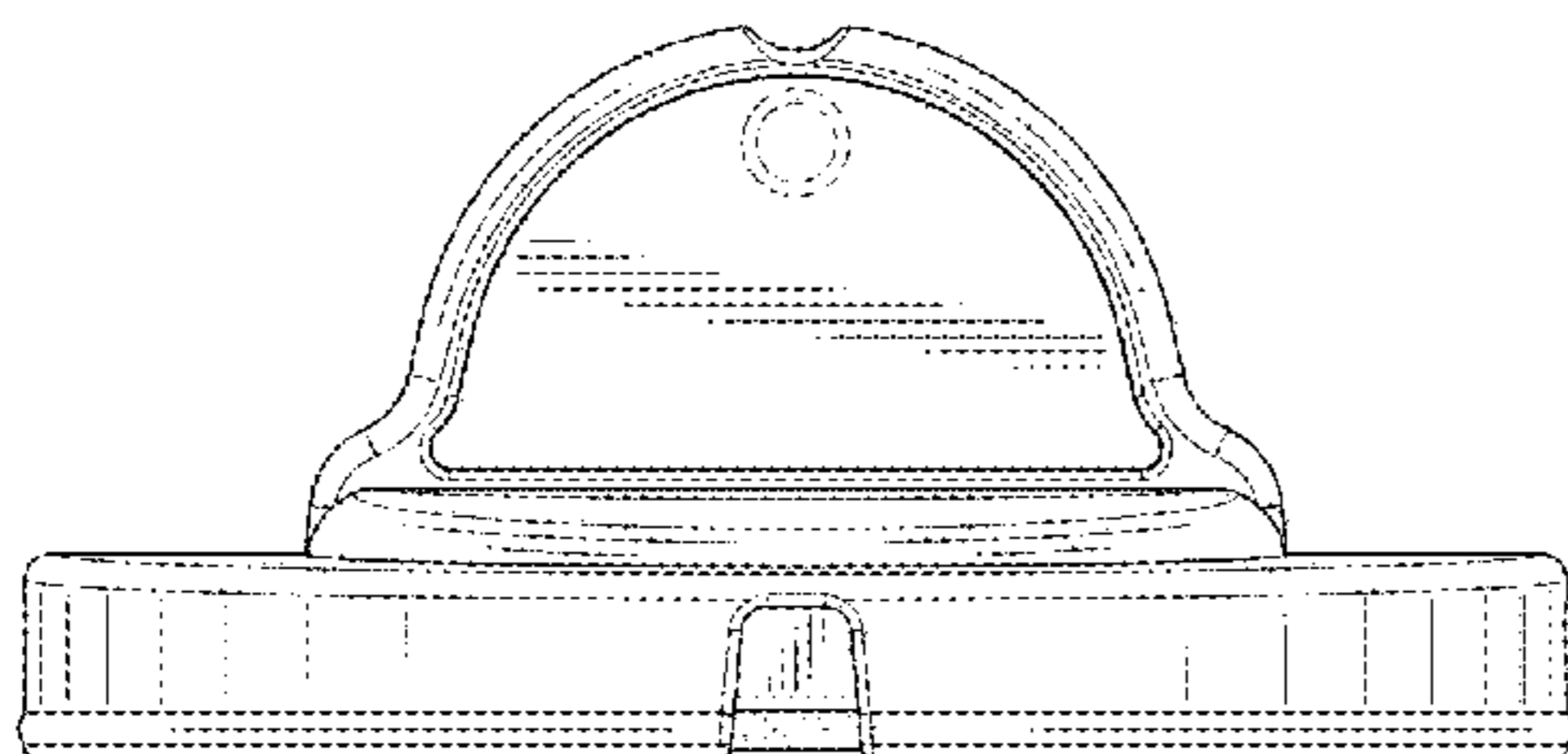
FIG. 1 is a perspective view of an ink stamp, showing my new design;
FIG. 2 is a front elevational view thereof;
FIG. 3 is a rear elevational view thereof;
FIG. 4 is a left side elevational view thereof;
FIG. 5 is a right side elevational view thereof;
FIG. 6 is a top plan view thereof;
FIG. 7 is a bottom plan view thereof;
FIG. 8 is another perspective view thereof; and,
FIG. 9 is an exploded perspective view of the ink stamp shown with environment.

The wire frame lines shown throughout the views are intended to indicate surface contour.

The contrast in shading types between straight occasionally broken line shading and stipple shading represents a contrast in appearance as shown.

The broken lines immediately adjacent the shaded areas represent the bounds of the claimed design while all other broken lines are directed to environment and are for illustrative purposes only; the broken lines form no part of the claimed design.

1 Claim, 7 Drawing Sheets



(56)

References Cited

U.S. PATENT DOCUMENTS

D346,723	S	*	5/1994	LaVine	D7/665
D379,367	S	*	5/1997	Harden	D18/15
D399,245	S	*	10/1998	Harden	D18/15
D515,620	S	*	2/2006	Lien	D18/17
D688,326	S	*	8/2013	Colwell	B41K 1/006
						D18/15
D696,077	S	*	12/2013	Williams	D7/624.1
9,050,841	B1	*	6/2015	Shih	B41K 1/006

* cited by examiner

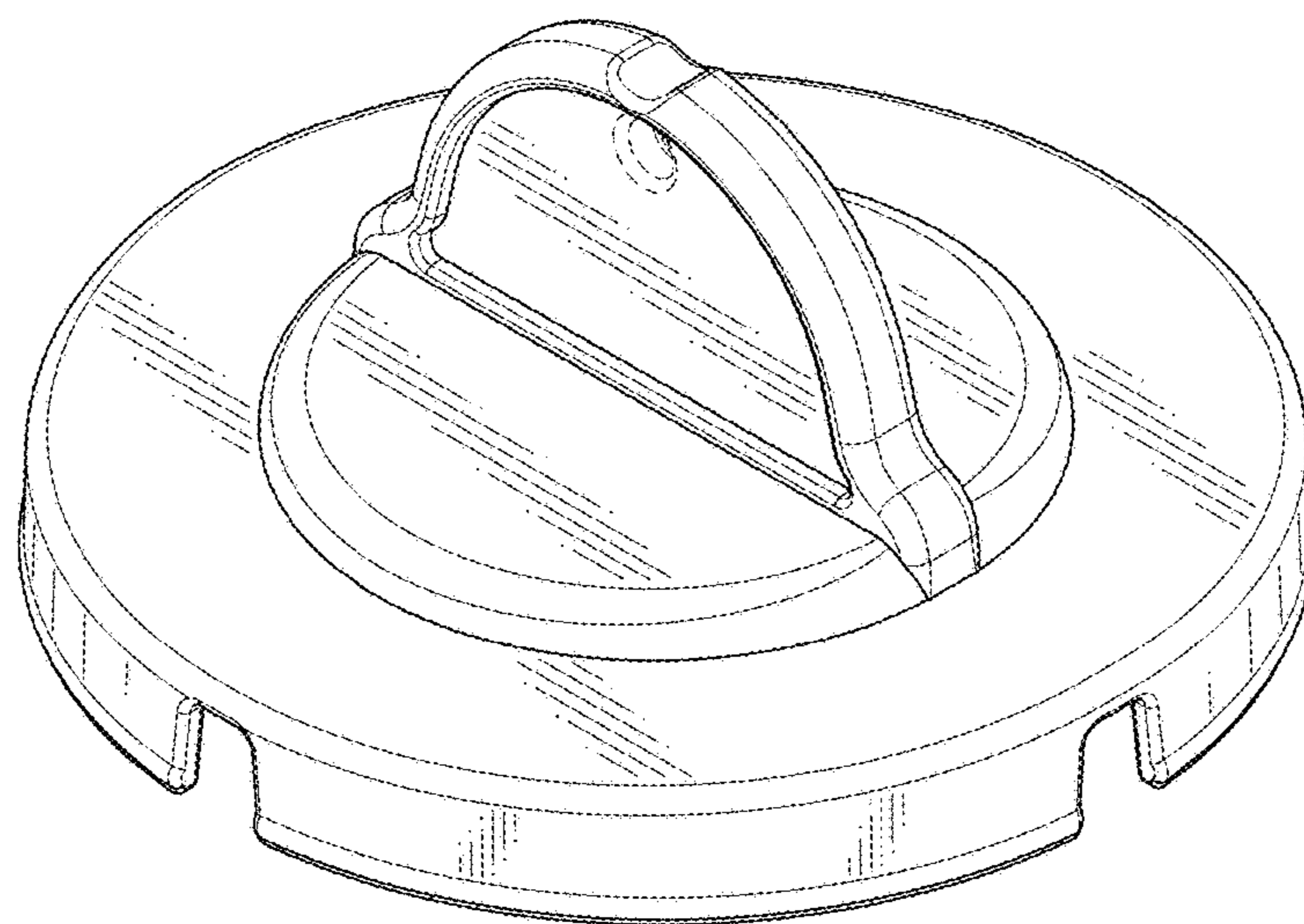


FIG. 1

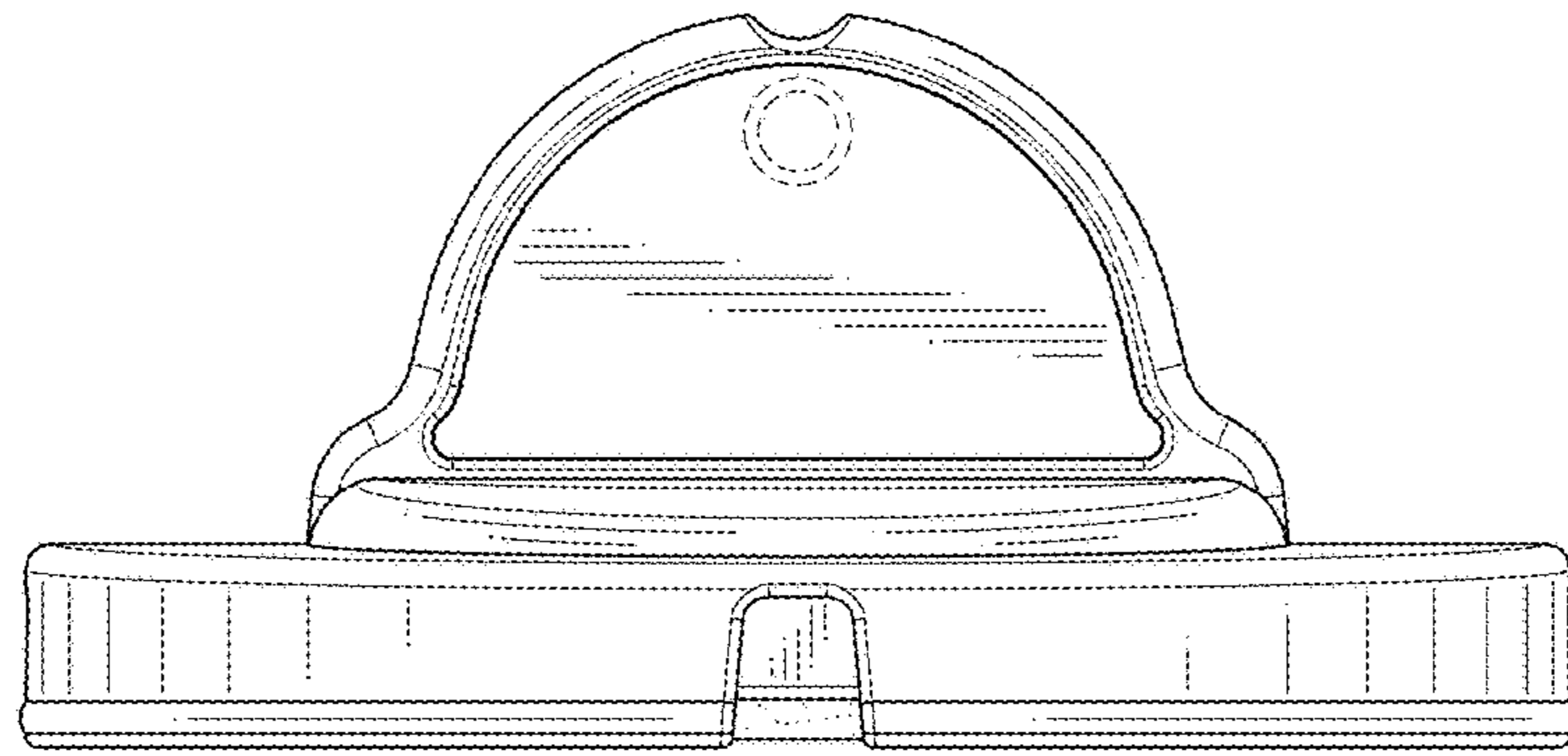


FIG. 2

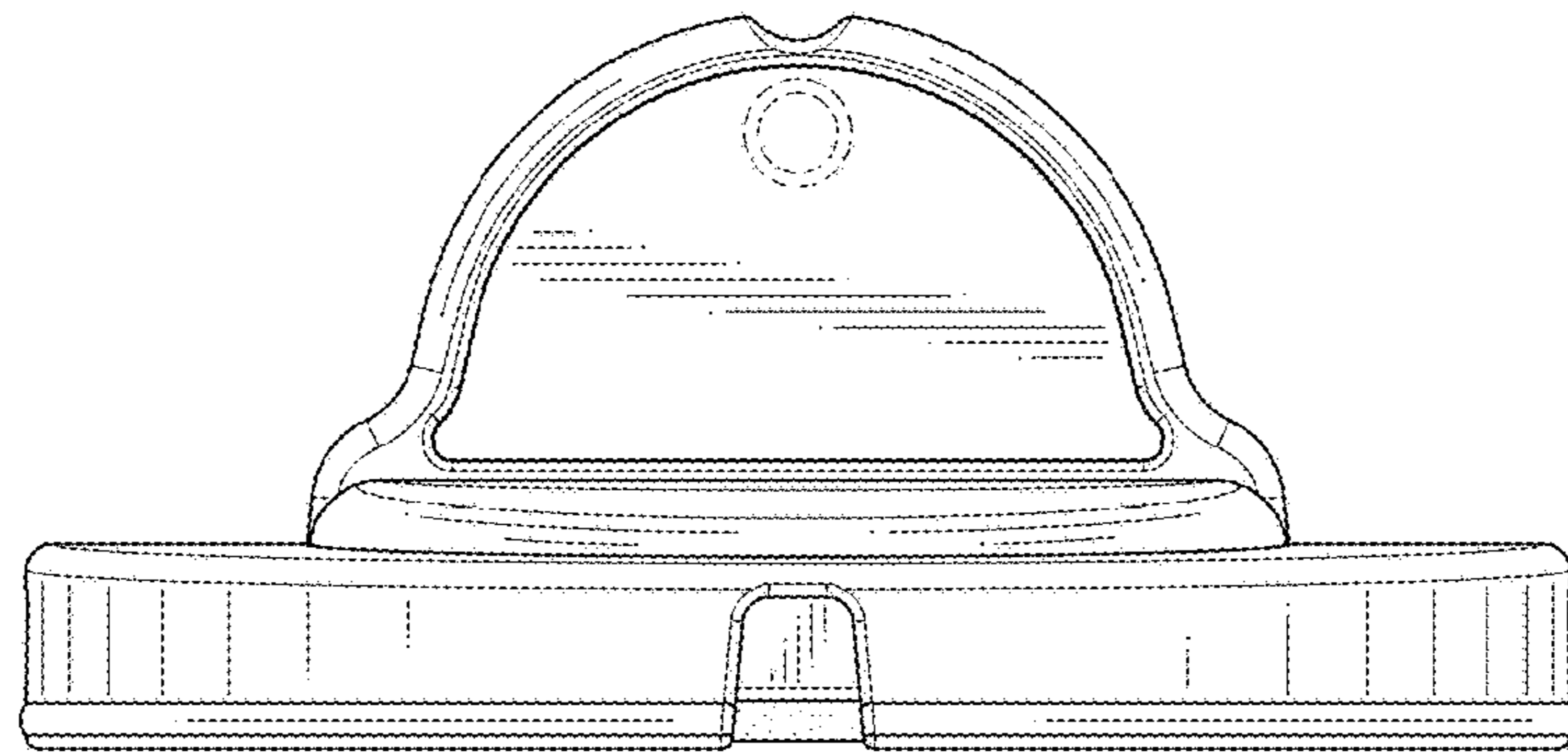


FIG. 3

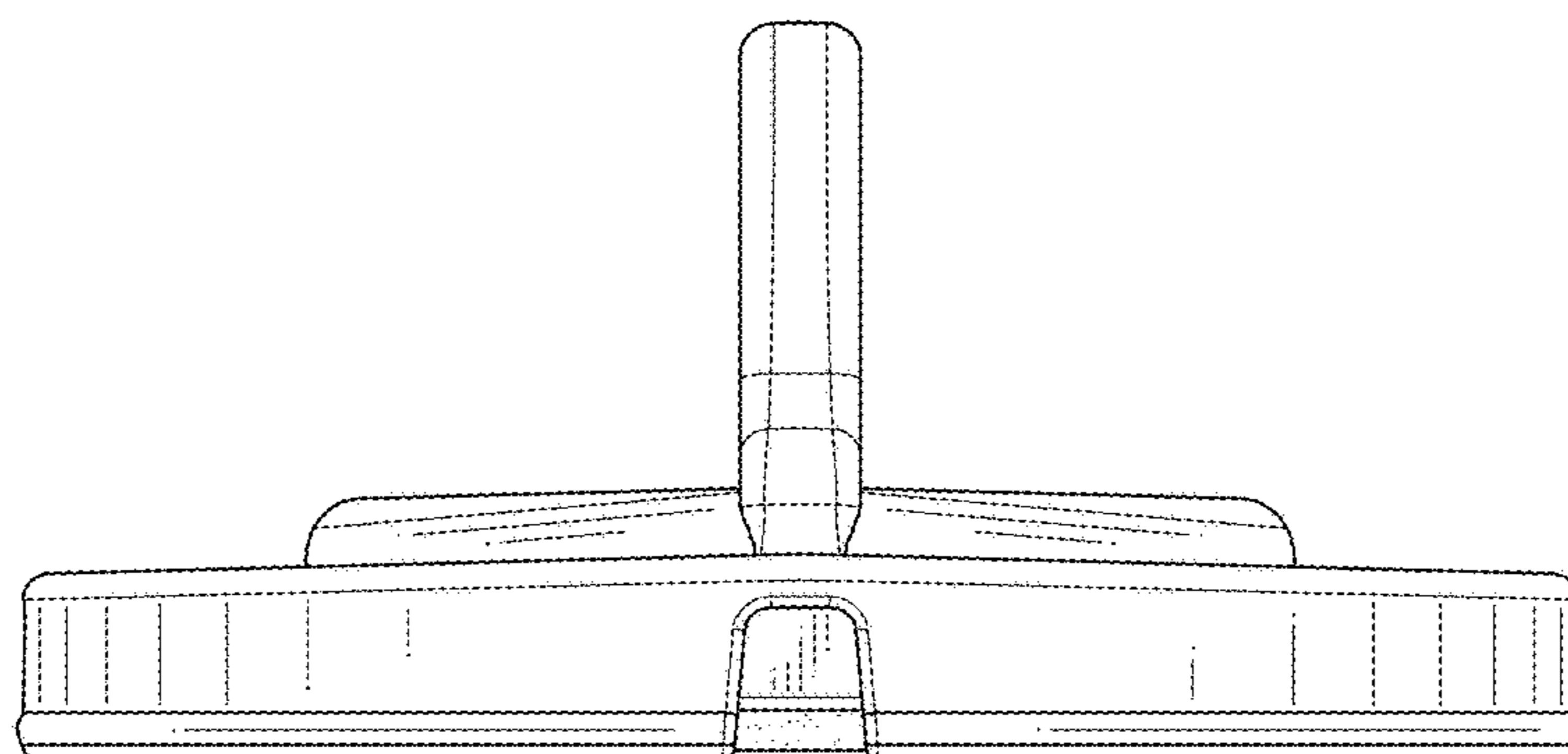


FIG. 4

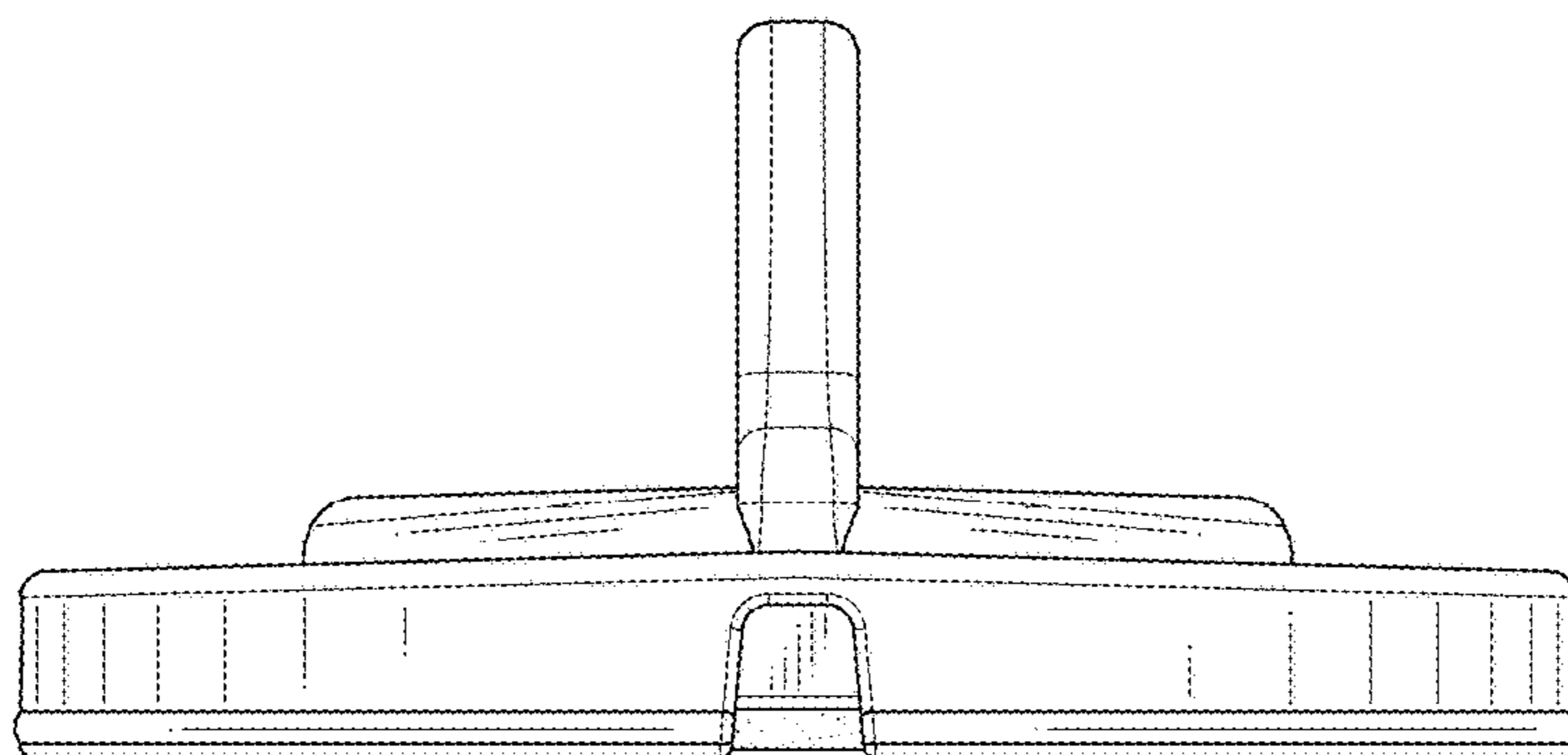


FIG. 5

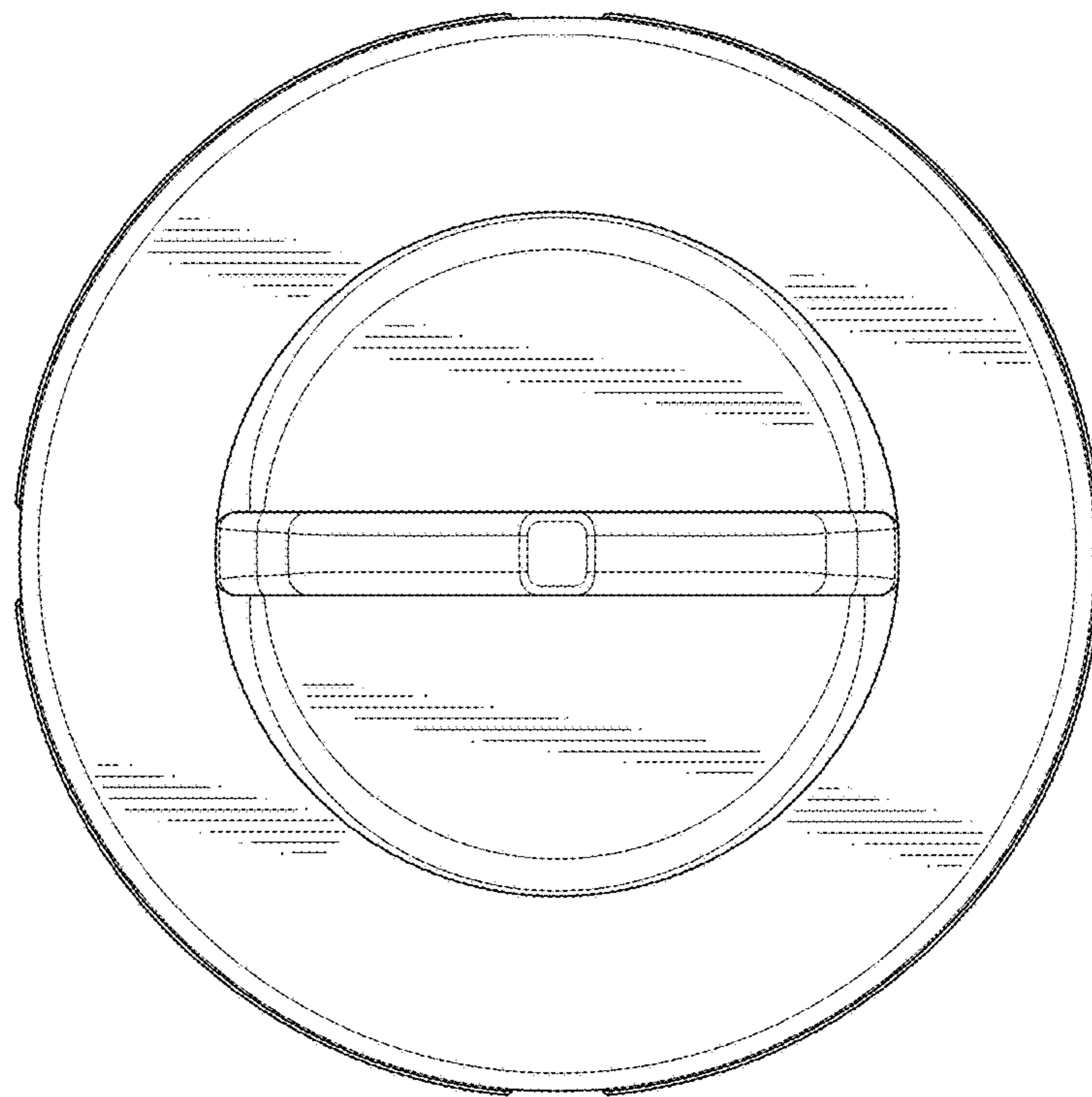


FIG. 6

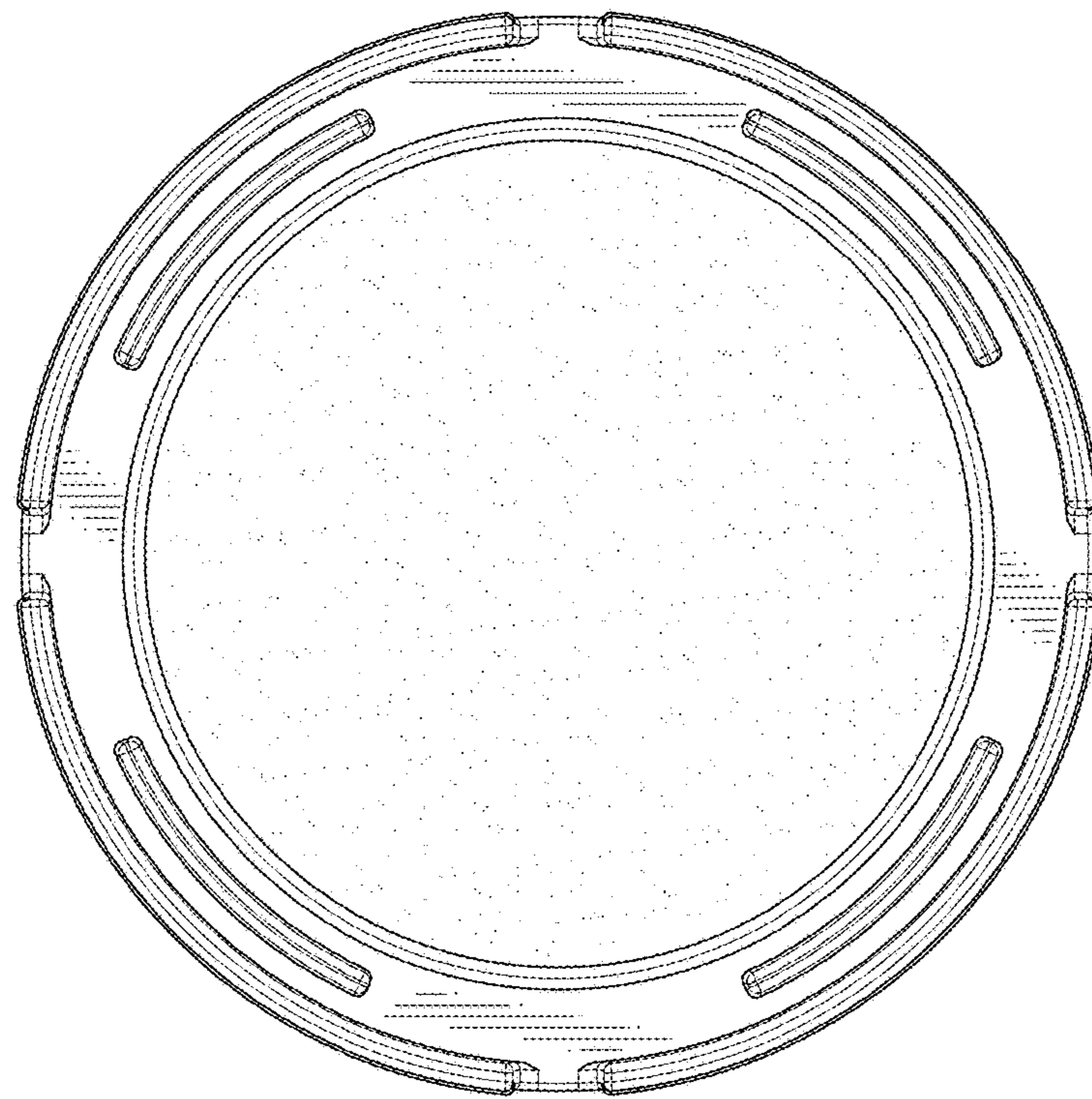


FIG. 7

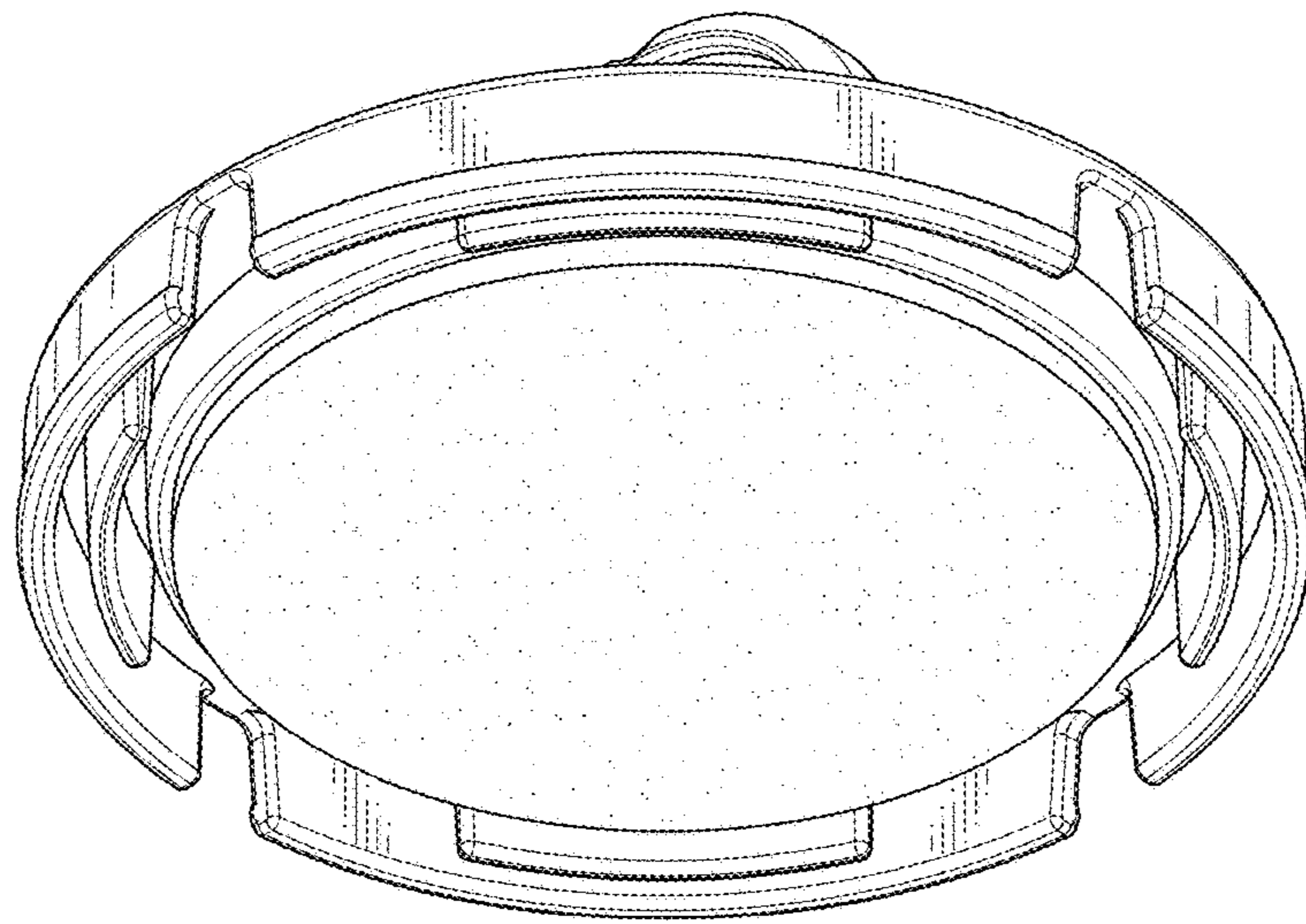


FIG. 8

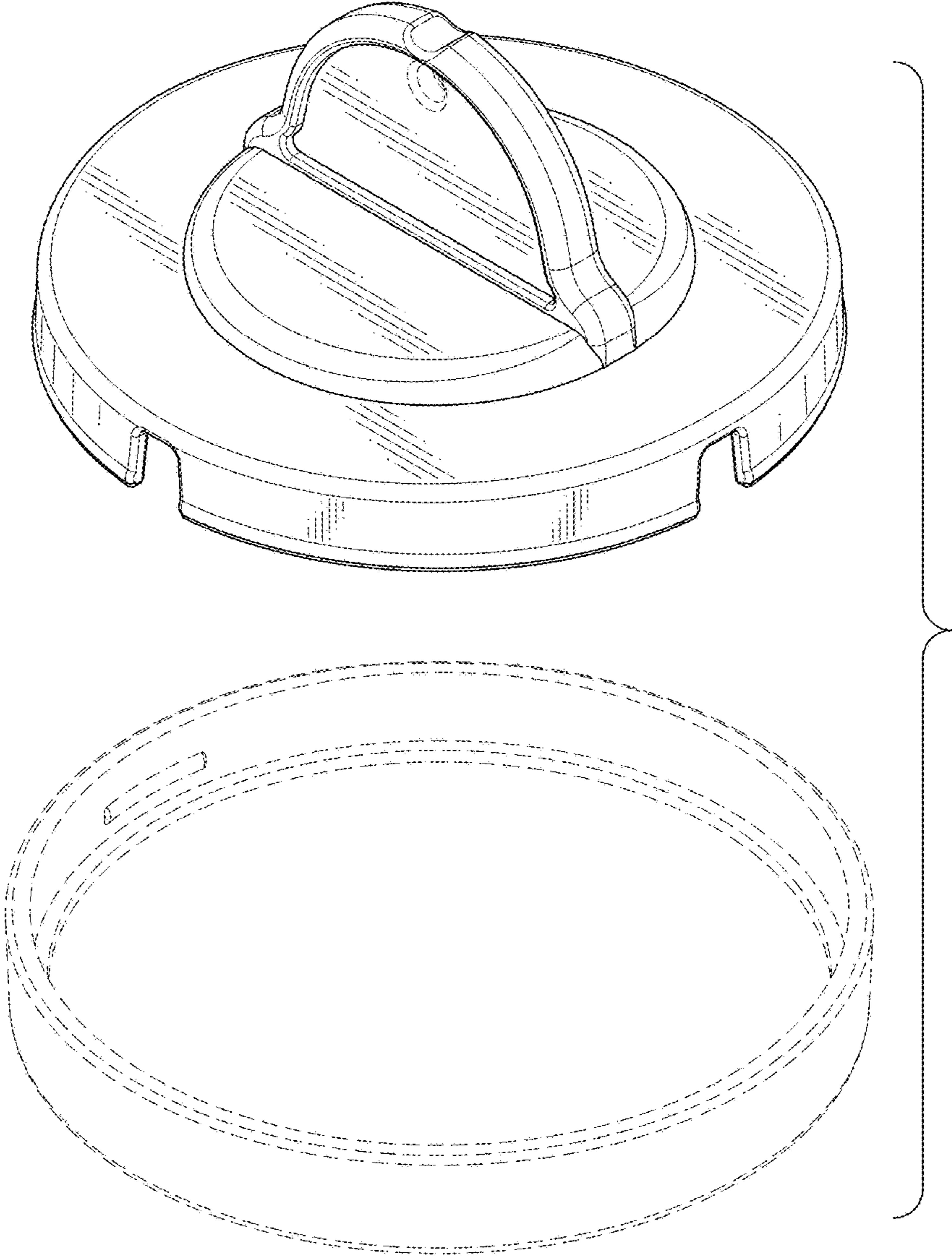


FIG. 9