



US00D834087S

(12) **United States Design Patent**
Yoo et al.

(10) **Patent No.:** **US D834,087 S**
(45) **Date of Patent:** **** Nov. 20, 2018**

- (54) **GOGGLE**
- (71) Applicant: **Oakley, Inc.**, Foothill Ranch, CA (US)
- (72) Inventors: **George Yoo**, North Hollywood, CA (US); **Jae Shin**, Foothill Ranch, CA (US)
- (73) Assignee: **Oakley, Inc.**, Foothill Ranch, CA (US)
- (**) Term: **15 Years**
- (21) Appl. No.: **29/582,780**

D427,225 S	6/2000	Arnette
D428,039 S	7/2000	Thixton
D439,596 S	3/2001	Bolle
D503,422 S	3/2005	Canavan
D508,939 S	8/2005	Hussey
D509,236 S	9/2005	Sheldon
D510,378 S	10/2005	Dondero et al.
D519,147 S	4/2006	Moritz et al.
D524,352 S	7/2006	Hsu
D527,752 S	9/2006	Canavan
D527,757 S	9/2006	Chen
D537,099 S	2/2007	Saderholdm
D537,100 S	2/2007	Moritz
D541,328 S	4/2007	Saderholdm

(Continued)

- (22) Filed: **Oct. 31, 2016**
- (51) **LOC (11) Cl.** **16-06**
- (52) **U.S. Cl.**
USPC **D16/313**
- (58) **Field of Classification Search**
USPC D29/109; D24/110.2; D16/101, 301,
D16/306, 311, 312, 313, 314, 325, 326,
D16/330, 136, 339, 130, 334, 338;
2/426, 429, 450; D8/349, 373
CPC .. A61F 9/045; A61F 9/04; A61F 9/029; A61F
9/027; A61F 9/025; A61F 9/02; G02C
9/04; G02C 5/00; G02C 11/10; G02C
7/00

See application file for complete search history.

(56) **References Cited**

U.S. PATENT DOCUMENTS

3,517,393 A	6/1970	Beauchef
D242,666 S	12/1976	Smith
D273,819 S	5/1984	Yehl
4,447,914 A	5/1984	Jannard
D328,084 S	7/1992	Salce et al.
D358,159 S	5/1995	Lai
D369,174 S	4/1996	Cooper
D375,317 S	11/1996	Canavan
D390,248 S	2/1998	Pranger
D405,102 S	2/1999	Moritz
D407,735 S	4/1999	Arnette

OTHER PUBLICATIONS

U.S. Appl. No. 29/540,935, filed Sep. 29, 2015, Shin, et al.
(Continued)

Primary Examiner — Ruth McInroy
(74) *Attorney, Agent, or Firm* — Sterne, Kessler,
Goldstein & Fox P.L.L.C.

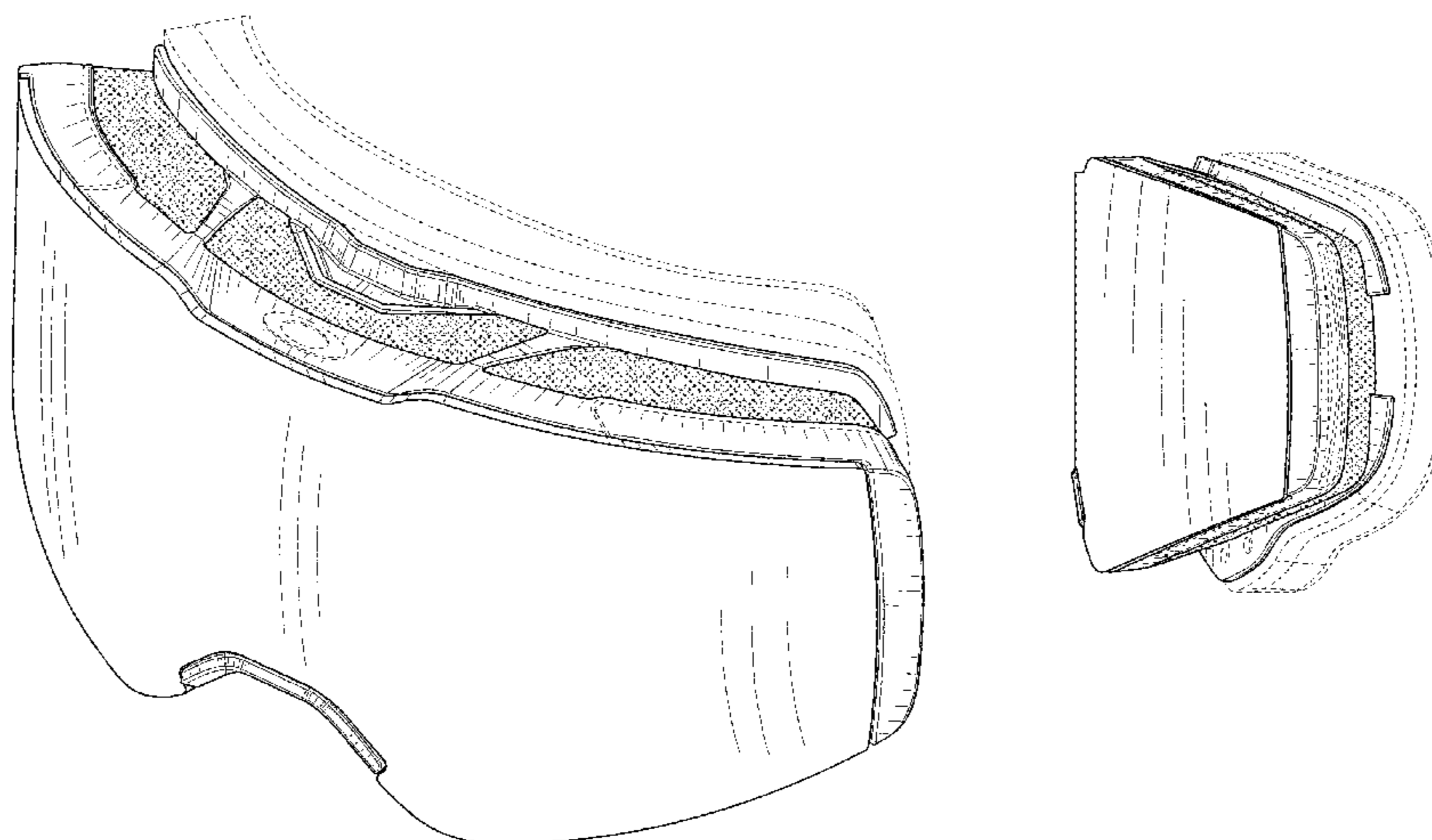
(57) **CLAIM**

The ornamental design for a goggle, as shown and described.

DESCRIPTION

FIG. 1 is a front perspective view of a goggle showing the claimed design;
FIG. 2 is a front elevational view thereof;
FIG. 3 is a rear elevational view thereof;
FIG. 4 is a right side elevational view thereof;
FIG. 5 is a left side elevational view thereof;
FIG. 6 is a top plan view thereof; and,
FIG. 7 is a bottom plan view thereof.
The broken lines in the Figures show portions of the goggle which form no part of the claimed design.

1 Claim, 4 Drawing Sheets



(56)

References Cited

U.S. PATENT DOCUMENTS

D538,834 S 5/2007 Mangum
 D542,830 S 5/2007 Hsu
 D543,571 S 5/2007 Love
 D544,015 S 6/2007 Fuchs
 D547,354 S 7/2007 Fuchs
 D548,251 S 8/2007 Boersma
 D550,749 S 9/2007 Chiang
 D551,278 S 9/2007 Moritz
 D551,280 S 9/2007 Li
 D552,622 S 10/2007 Woxing
 D556,238 S 11/2007 Yang
 D556,811 S 12/2007 Bruck
 D556,812 S 12/2007 Wang-Lee
 D559,299 S 1/2008 Tabacchi
 D569,411 S 5/2008 Chiang
 D574,409 S 8/2008 Stanley
 D577,054 S 9/2008 Moritz
 D578,562 S 10/2008 Moritz
 D581,964 S 12/2008 Hooper et al.
 D588,624 S 3/2009 Yang
 D592,694 S 5/2009 Fuchs
 D595,332 S 6/2009 Yang
 D598,040 S 8/2009 Sheldon et al.
 D608,816 S 1/2010 Wang-Lee et al.
 D609,265 S 2/2010 Wang-Lee et al.
 D610,602 S 2/2010 Yun
 D611,521 S 3/2010 Lampru
 D616,483 S 5/2010 Moritz
 D620,969 S 8/2010 Cyr
 D626,166 S 10/2010 Yang
 D626,582 S 11/2010 Cheng
 D626,987 S 11/2010 Yang
 D629,034 S * 12/2010 McNeal A61F 9/025
 D16/312
 D633,937 S 3/2011 Yasuhara et al.
 D640,724 S 6/2011 Goodman
 D649,178 S 11/2011 Moritz et al.
 D649,577 S 11/2011 Goodman et al.
 D653,686 S * 2/2012 Tobia D16/101
 D653,695 S 2/2012 Tobia
 D656,686 S 3/2012 Tobia
 D657,812 S 4/2012 Li
 D659,742 S 5/2012 Chen
 D670,753 S 11/2012 Chen

D675,244 S 1/2013 Orzeck
 8,371,691 B2 2/2013 Chiou
 D687,479 S 8/2013 Moritz et al.
 D687,880 S 8/2013 McNeal
 D687,881 S * 8/2013 Ginther D16/312
 D694,806 S 12/2013 Mage
 D695,335 S 12/2013 Goodman et al.
 D695,818 S 12/2013 Laperriere
 D698,854 S 2/2014 McNeal
 D700,929 S 3/2014 McNeal
 D704,249 S 5/2014 Orzeck
 D711,961 S 8/2014 Arnette
 D714,378 S 9/2014 Sandor
 D715,350 S 10/2014 Moritz
 D717,851 S * 11/2014 Arnette D16/101
 D718,369 S * 11/2014 Janavicius D16/312
 D723,094 S 2/2015 Chen
 D725,175 S 3/2015 Wang-Lee et al.
 D726,378 S 4/2015 Wako
 D727,398 S 4/2015 Blanchard
 D727,400 S 4/2015 Laperriere
 D729,303 S 5/2015 Blanchard
 D736,303 S * 8/2015 Yu D16/309
 D757,833 S 5/2016 Pfanner
 D761,344 S * 7/2016 Chen D16/312
 D769,350 S * 10/2016 Orzeck D16/312
 D774,588 S * 12/2016 Li D16/312
 D777,826 S * 1/2017 Shin D16/312
 D784,441 S * 4/2017 Garfias D16/312
 D785,699 S * 5/2017 Chen D16/312
 2003/0110552 A1 6/2003 Youmans
 2003/0233702 A1 12/2003 Chen
 2008/0030674 A1 2/2008 Huang
 2008/0301857 A1 12/2008 Wang-Lee
 2012/0236250 A1 9/2012 Yang
 2013/0185849 A1 7/2013 Laughlin
 2014/0033408 A1 2/2014 Currens

OTHER PUBLICATIONS

U.S. Appl. No. 29/582,777, filed Oct. 31, 2016, Yoo, et al.
 U.S. Appl. No. 29/582,785, filed Oct. 31, 2016, Yoo, et al.
 U.S. Appl. No. 29/540,935, filed Sep. 29, 2015, Goggle.
 U.S. Appl. No. 29/582,777, filed Oct. 31, 2016, Eyeglass Lens.
 U.S. Appl. No. 29/582,785, filed Oct. 31, 2016, Goggle.

* cited by examiner

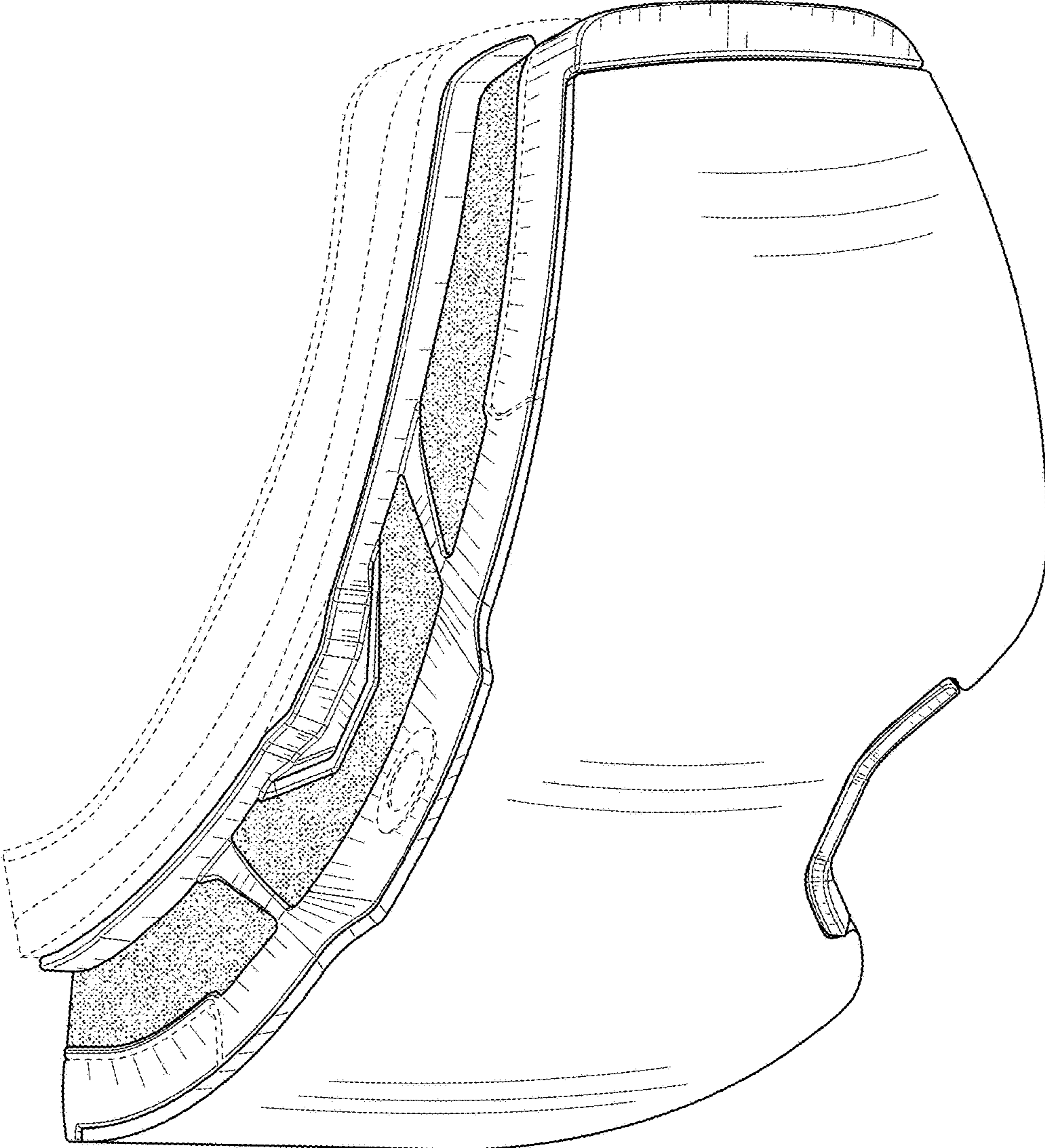


FIG. 1

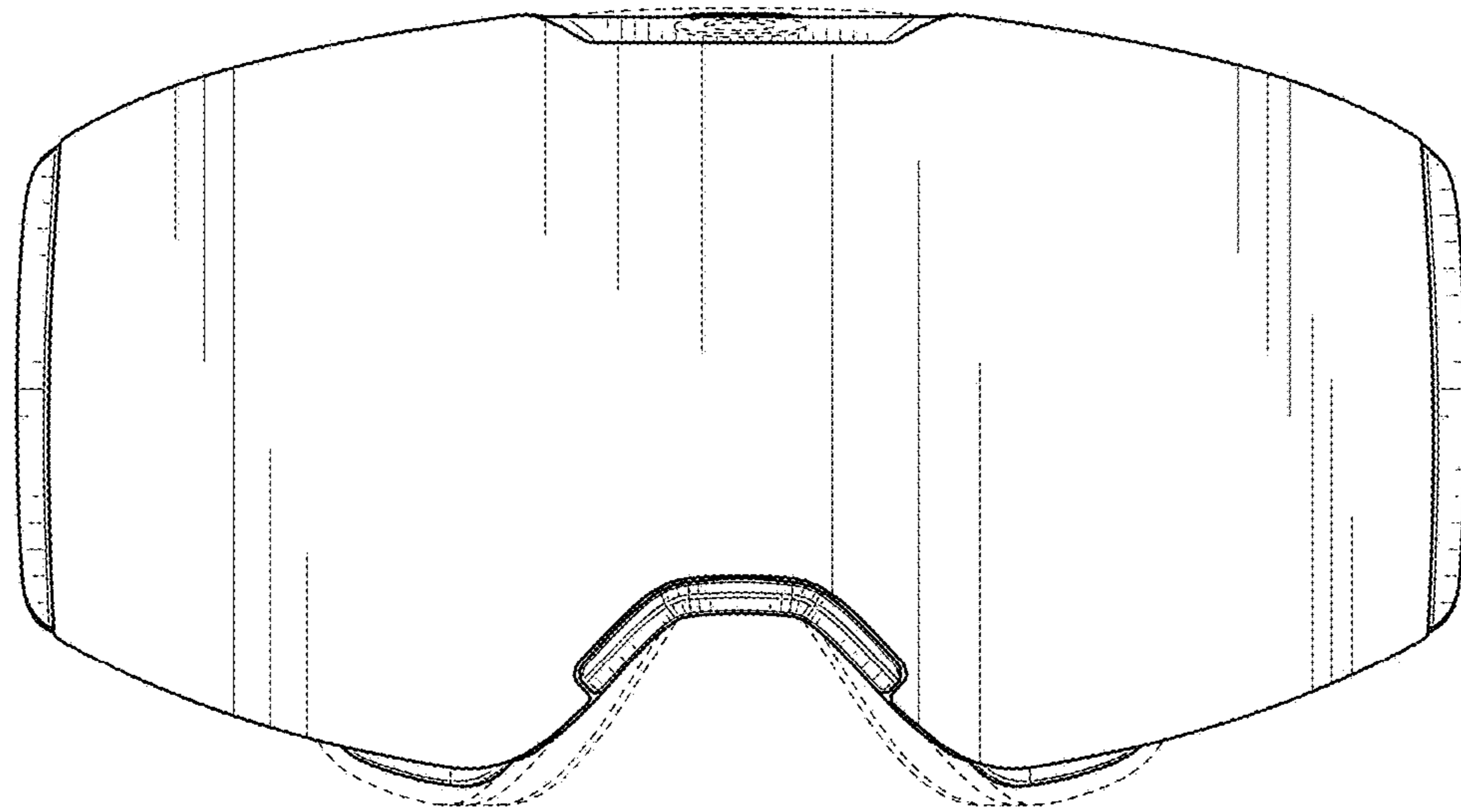


FIG. 2

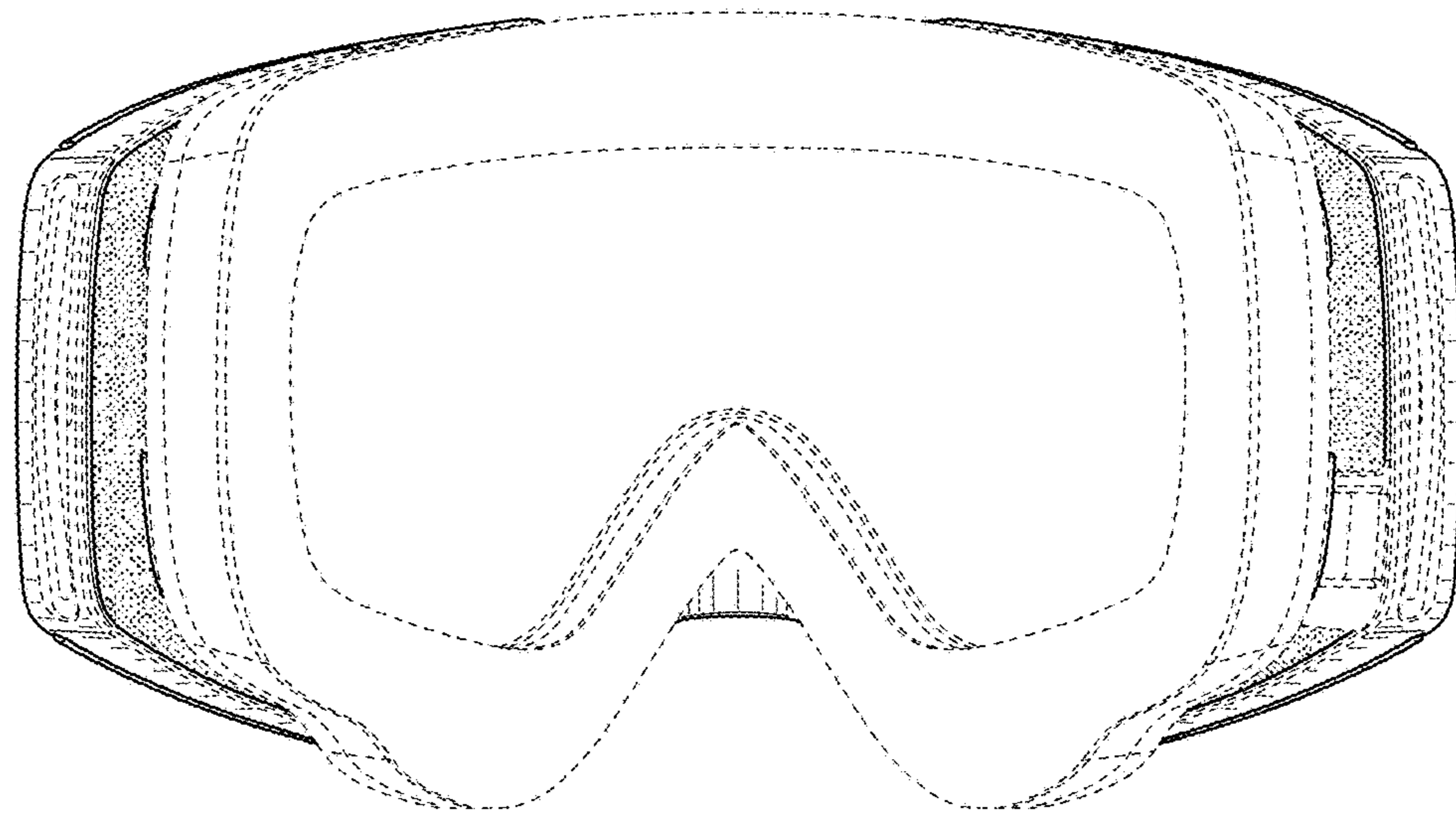


FIG. 3

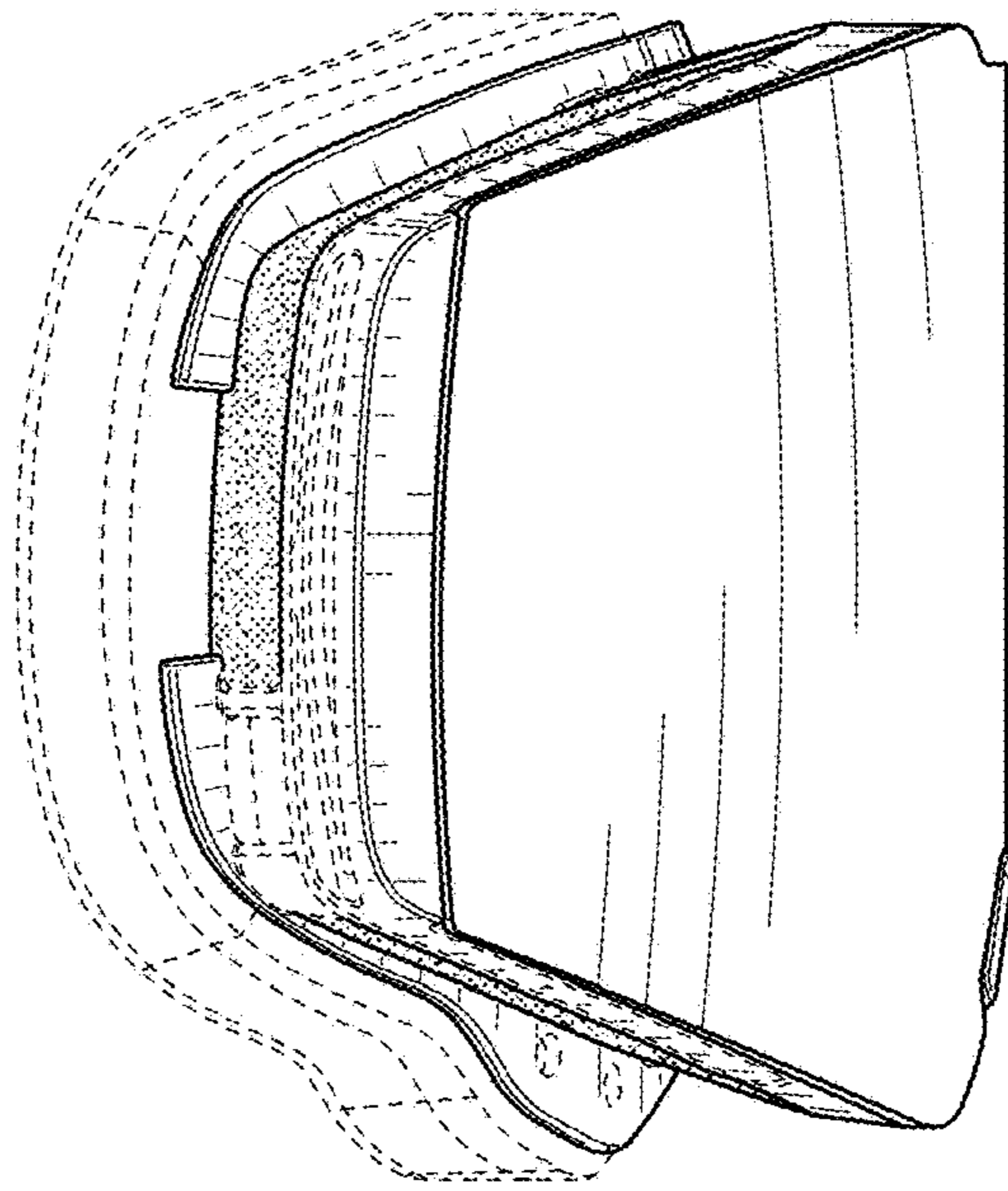


FIG. 4

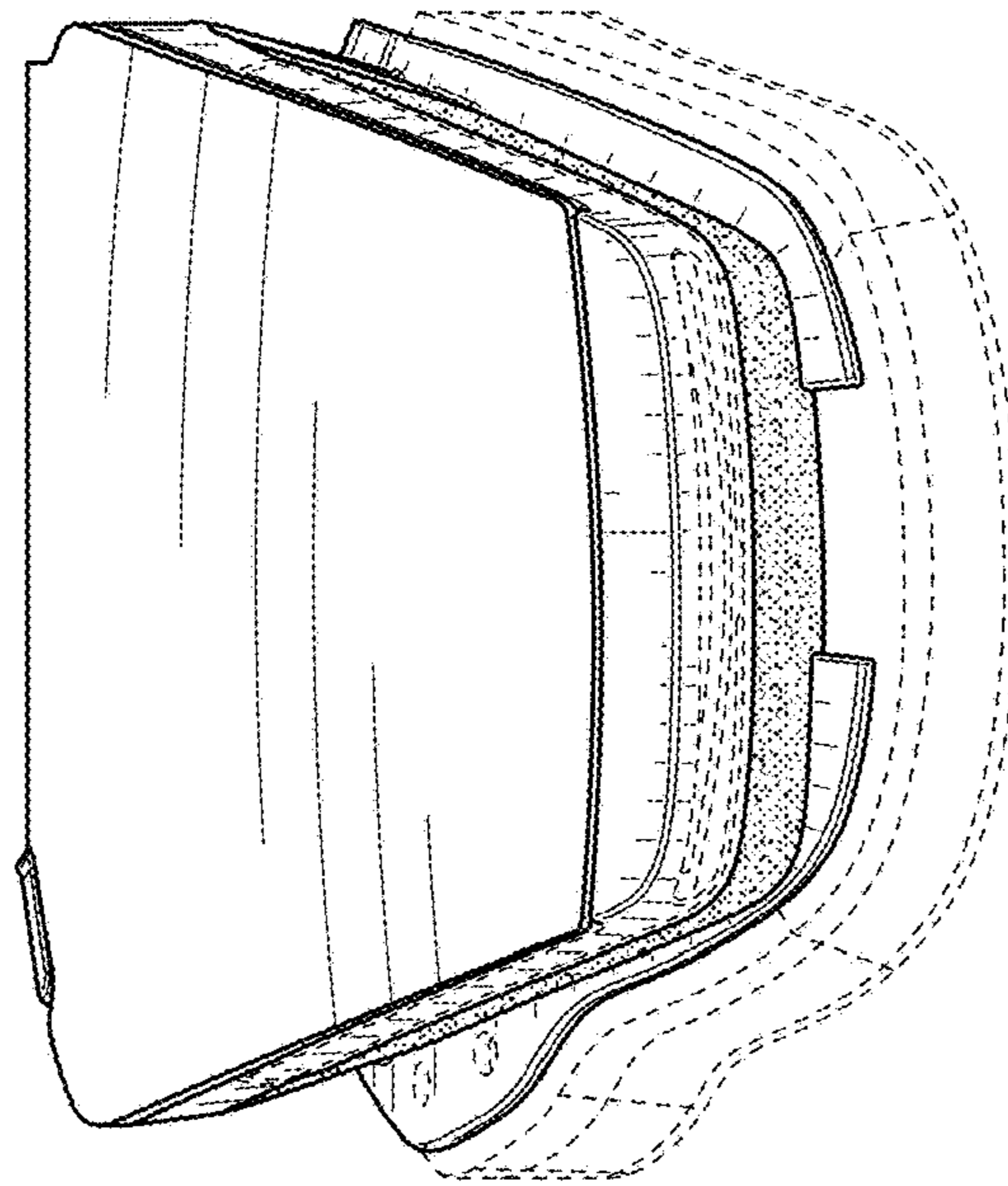


FIG. 5

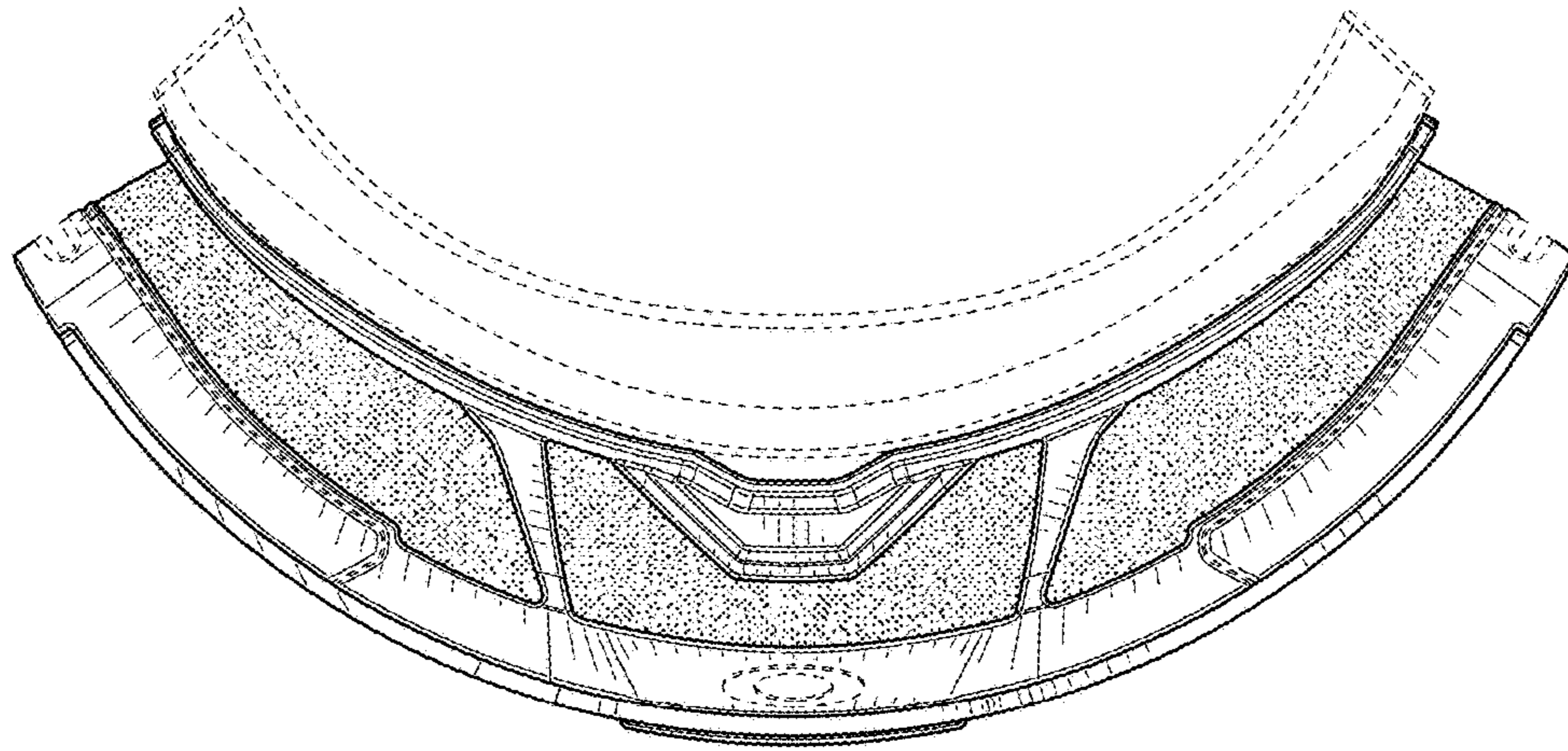


FIG. 6

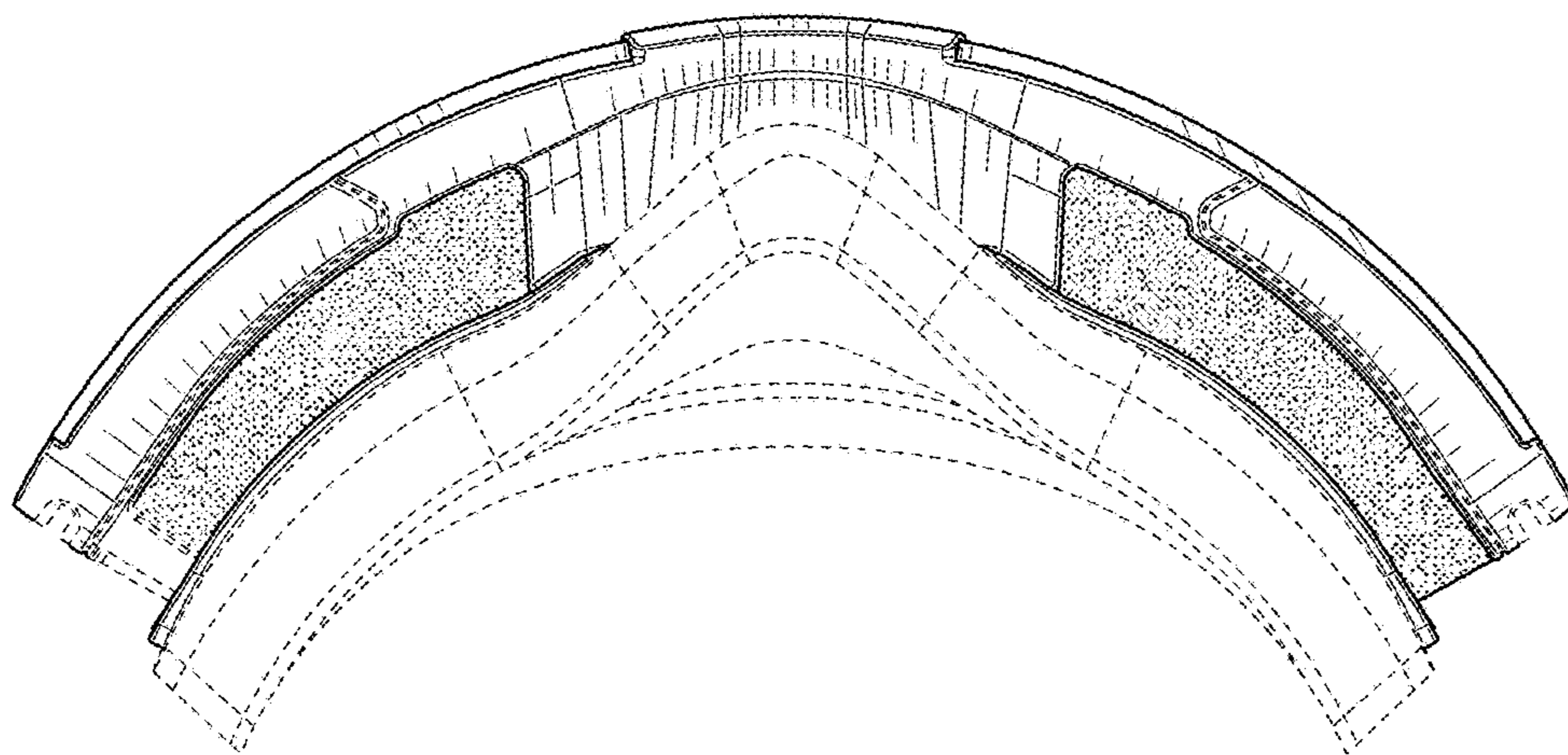


FIG. 7