



US00D834086S

(12) **United States Design Patent** (10) **Patent No.:** **US D834,086 S**
Chandrasekhar et al. (45) **Date of Patent:** **** Nov. 20, 2018**

(54) **ELECTROCHROMIC EYEWEAR**
(71) Applicant: **Ashwin-Ushas Corporation, Inc.**,
Holmdel, NJ (US)
(72) Inventors: **Prasanna Chandrasekhar**, Holmdel,
NJ (US); **Brian J. Zay**, Hamilton, NJ
(US); **Edward J. Laganis**, Hoboken,
NJ (US); **Vasily V. Romanov**, Jersey
City, NJ (US); **Anthony J. LaRosa**,
Rockaway, NJ (US)

D399,239 S 10/1998 Jannard
D410,484 S 6/1999 Jannard
D410,485 S 6/1999 Jannard
D415,188 S 10/1999 Thixton
5,992,996 A 11/1999 Sawyer
D423,035 S 4/2000 Yee
6,115,117 A 9/2000 Vossier
D434,788 S 12/2000 Conway
D463,478 S 9/2002 Moritz
D478,112 S 8/2003 Lee
D487,477 S 3/2004 Lane
D522,040 S 5/2006 Lane

(Continued)

(73) Assignee: **Ashwin-Ushas Corporation, Inc.**,
Holmdel, NJ (US)

(**) Term: **15 Years**

(21) Appl. No.: **29/530,355**

(22) Filed: **Jun. 16, 2015**

(51) **LOC (11) Cl.** **16-06**

(52) **U.S. Cl.**
USPC **D16/309**

(58) **Field of Classification Search**
USPC D16/101, 300-342, 900; D29/109-110;
D21/483, 659-661; D14/372; 351/41,
351/44, 45-48, 51-52, 62, 158, 92,
351/103-123, 140-153, 63, 59; 2/13, 15,
2/426-432, 447-449, 441, 434-437
CPC G02C 2200/08; G02C 1/06; G02C 5/14;
G02C 11/02; G02C 11/04; G02C 5/16;
G02C 2200/22; G02C 5/146; G02C
5/2254; G02C 5/008; G01C 5/16; A61M
2021/0044; A63B 33/002

See application file for complete search history.

(56) **References Cited**

U.S. PATENT DOCUMENTS

5,182,585 A 1/1993 Stoner
D381,674 S 7/1997 Bernheiser
D383,148 S * 9/1997 Wang Lee D16/314
D397,132 S 8/1998 Yee

OTHER PUBLICATIONS

You Tube Video: Electrochromic Sunglasses (Prototype), announced
May 2015, [online], [site visited Aug. 13, 2017]. Available from
Internet, <URL: <https://www.youtube.com/watch?v=rYTC9GJwjeQ>>.*

Primary Examiner — Michelle E. Wilson

Assistant Examiner — Sanjeev Paul

(74) *Attorney, Agent, or Firm* — Morgan Lewis &
Bockius LLP

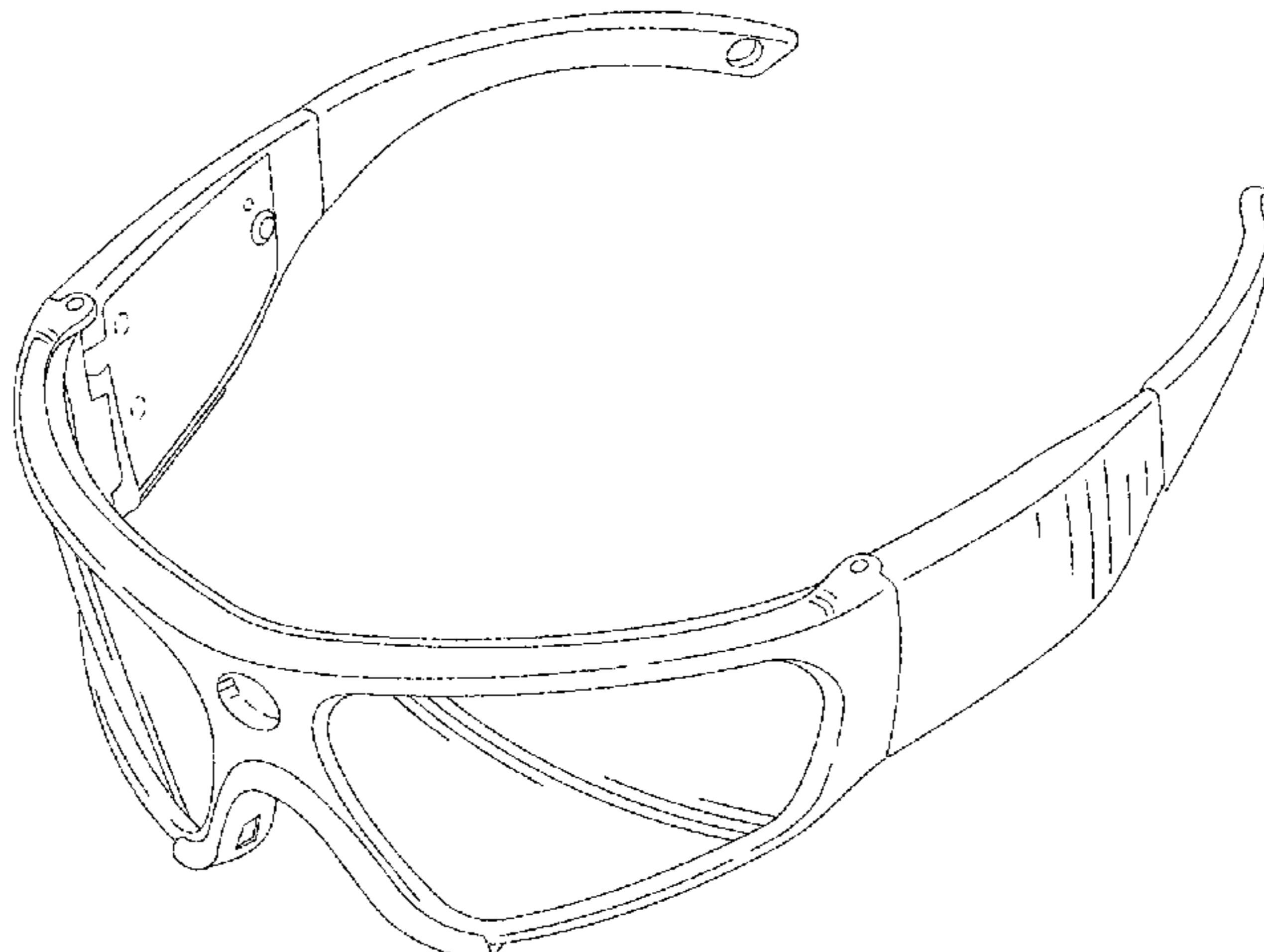
(57) **CLAIM**

The ornamental design for an electrochromic eyewear, as
shown and described.

DESCRIPTION

FIG. 1 is a left front perspective view of electrochromic
eyewear showing our new design;
FIG. 2 is a front view thereof;
FIG. 3 is a rear view thereof;
FIG. 4 is a top view thereof;
FIG. 5 is a bottom view thereof;
FIG. 6 is a right side view thereof; and,
FIG. 7 is a left side view thereof.
The broken lines are included for the purpose of illustrating
unclaimed portions of the electrochromic eyewear that form
no part of the claimed design.

1 Claim, 5 Drawing Sheets



(56)

References Cited

U.S. PATENT DOCUMENTS

D537,103 S 2/2007 Sheldon
 D586,841 S * 2/2009 Yang D16/326
 D604,758 S 11/2009 Rohrbach
 D606,113 S * 12/2009 Daems D16/326
 D616,485 S 5/2010 Thixton
 D622,303 S 8/2010 Thixton
 D628,616 S * 12/2010 Yuan D16/306
 D639,332 S * 6/2011 Basler D16/300
 D645,492 S * 9/2011 Zhao D16/309
 D646,316 S * 10/2011 Zhao D16/309
 D646,706 S 10/2011 Wang
 D650,826 S 12/2011 Markovitz
 D653,697 S 2/2012 Taylor
 D653,698 S 2/2012 Taylor
 D665,838 S * 8/2012 Kim D16/309
 D667,482 S * 9/2012 Healy D16/309
 D667,483 S * 9/2012 Krsmanovic D16/300
 D685,019 S * 6/2013 Li D16/309
 D704,250 S * 5/2014 Miera D16/313
 D723,092 S * 2/2015 Markovitz D16/300
 D723,093 S * 2/2015 Li D16/309
 D741,398 S * 10/2015 Echeverri D16/326
 D744,581 S * 12/2015 Votel D16/309

D750,696 S * 3/2016 Hsu D16/326
 D751,552 S * 3/2016 Osterhout D14/372
 9,482,880 B1 * 11/2016 Chandrasekhar G02C 7/101
 D792,400 S * 7/2017 Osterhout D14/372
 D793,467 S * 8/2017 Krause D16/300
 2009/0213282 A1 8/2009 Burlingame et al.
 2010/0214528 A1 * 8/2010 Sheldon B29C 45/14336
 351/86
 2012/0257159 A1 * 10/2012 Silver G02C 5/146
 351/116
 2014/0268011 A1 * 9/2014 Larmer G02C 5/2209
 351/121
 2014/0340629 A1 * 11/2014 Sadler G02C 11/12
 351/111
 2014/0362561 A1 * 12/2014 Faircloth G02C 11/04
 362/103
 2015/0077696 A1 * 3/2015 Tanaka G02C 11/00
 351/62
 2016/0016370 A1 * 1/2016 Sheldon B29D 12/02
 351/178
 2016/0103339 A1 * 4/2016 White G02C 11/10
 351/123
 2016/0299352 A1 * 10/2016 Dai G02C 5/2209
 2017/0227793 A1 * 8/2017 Abreu G02C 11/10

* cited by examiner

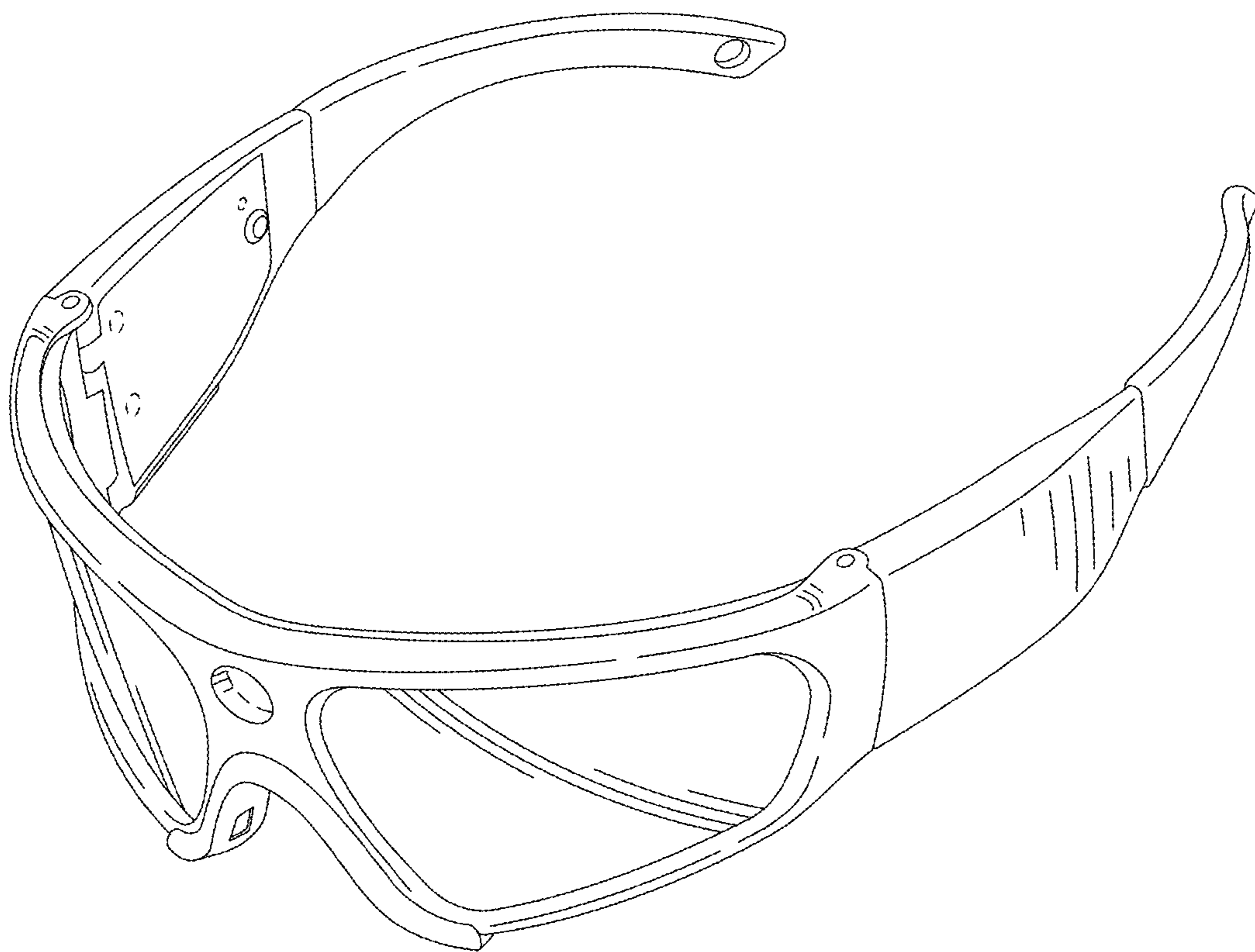


FIG. 1

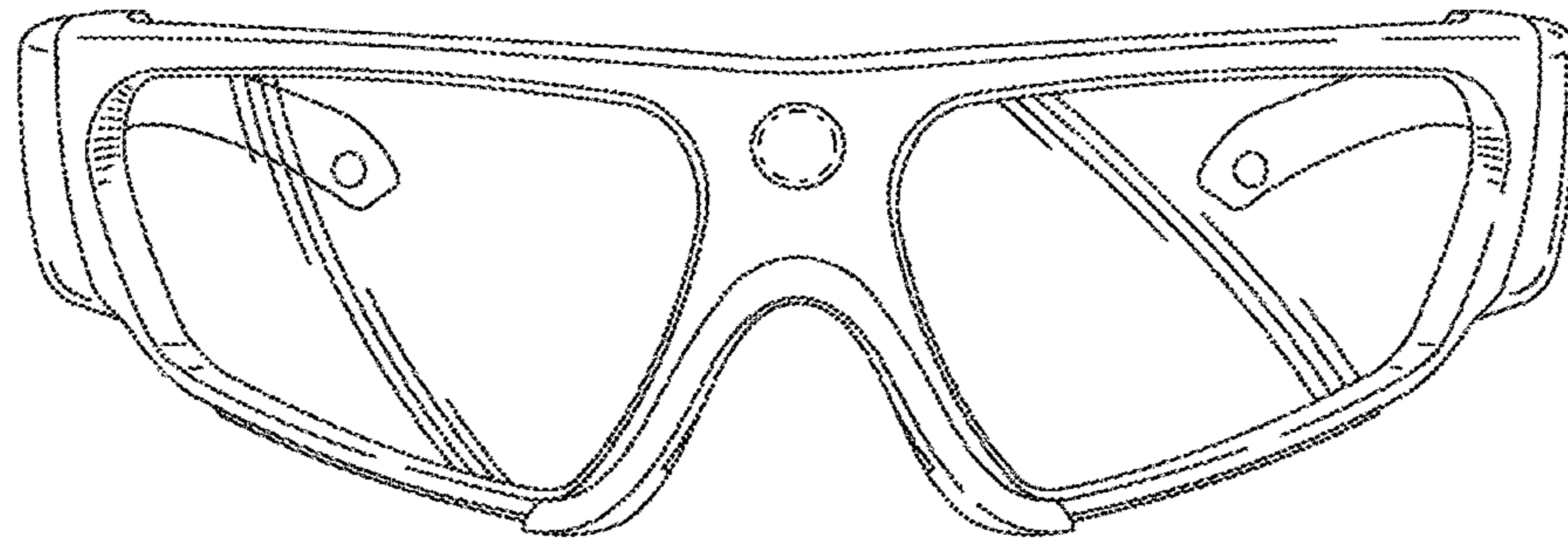


FIG. 2

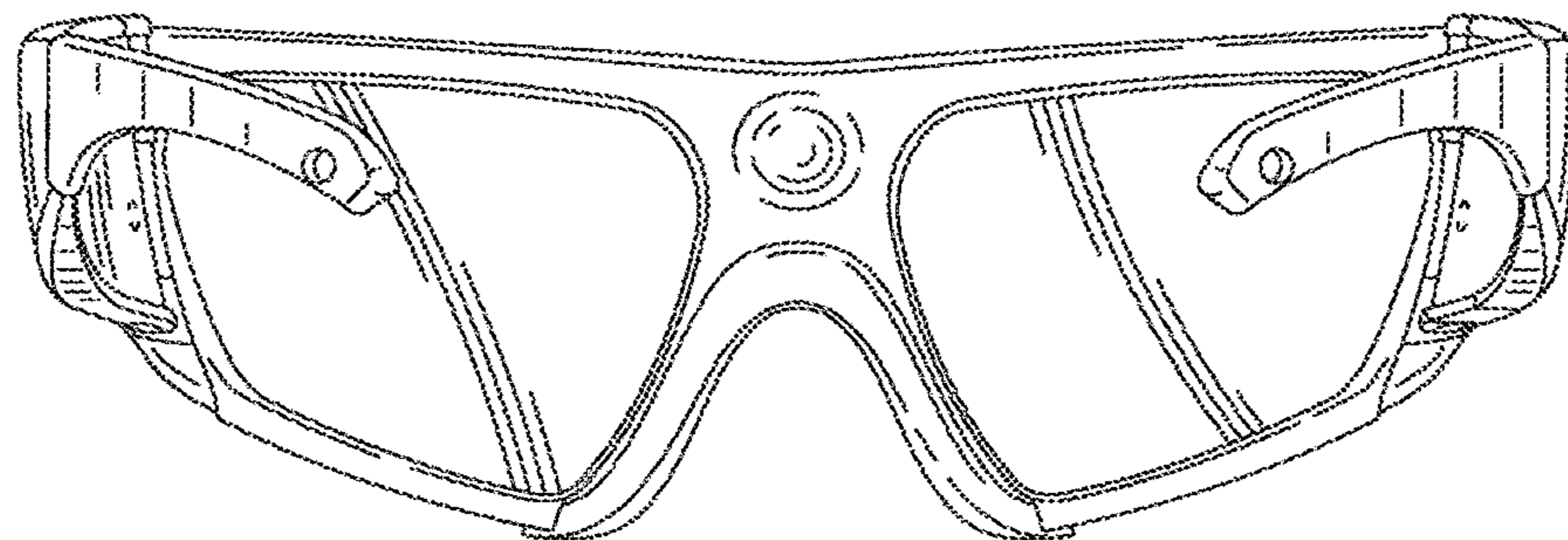


FIG. 3

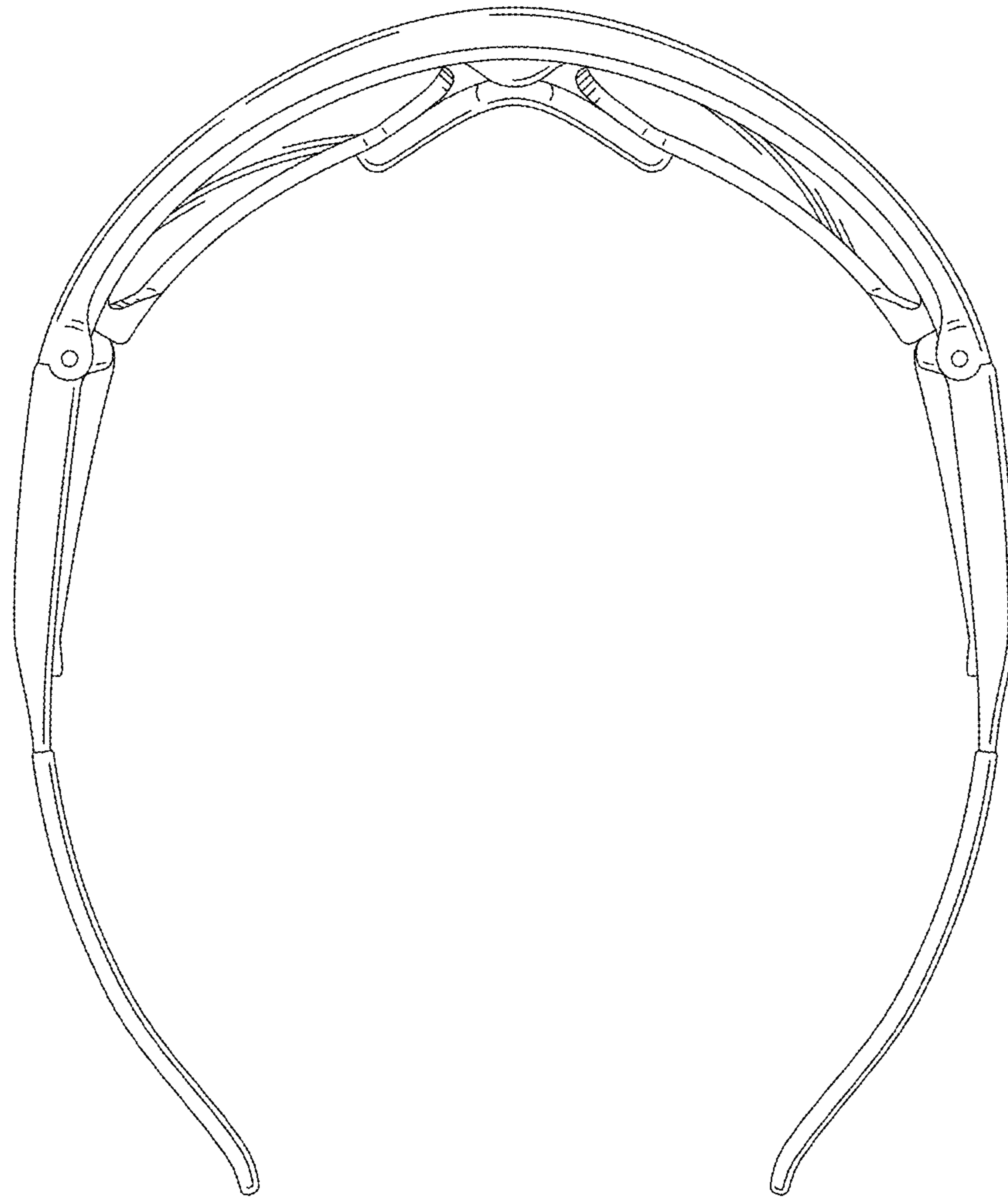


FIG. 4

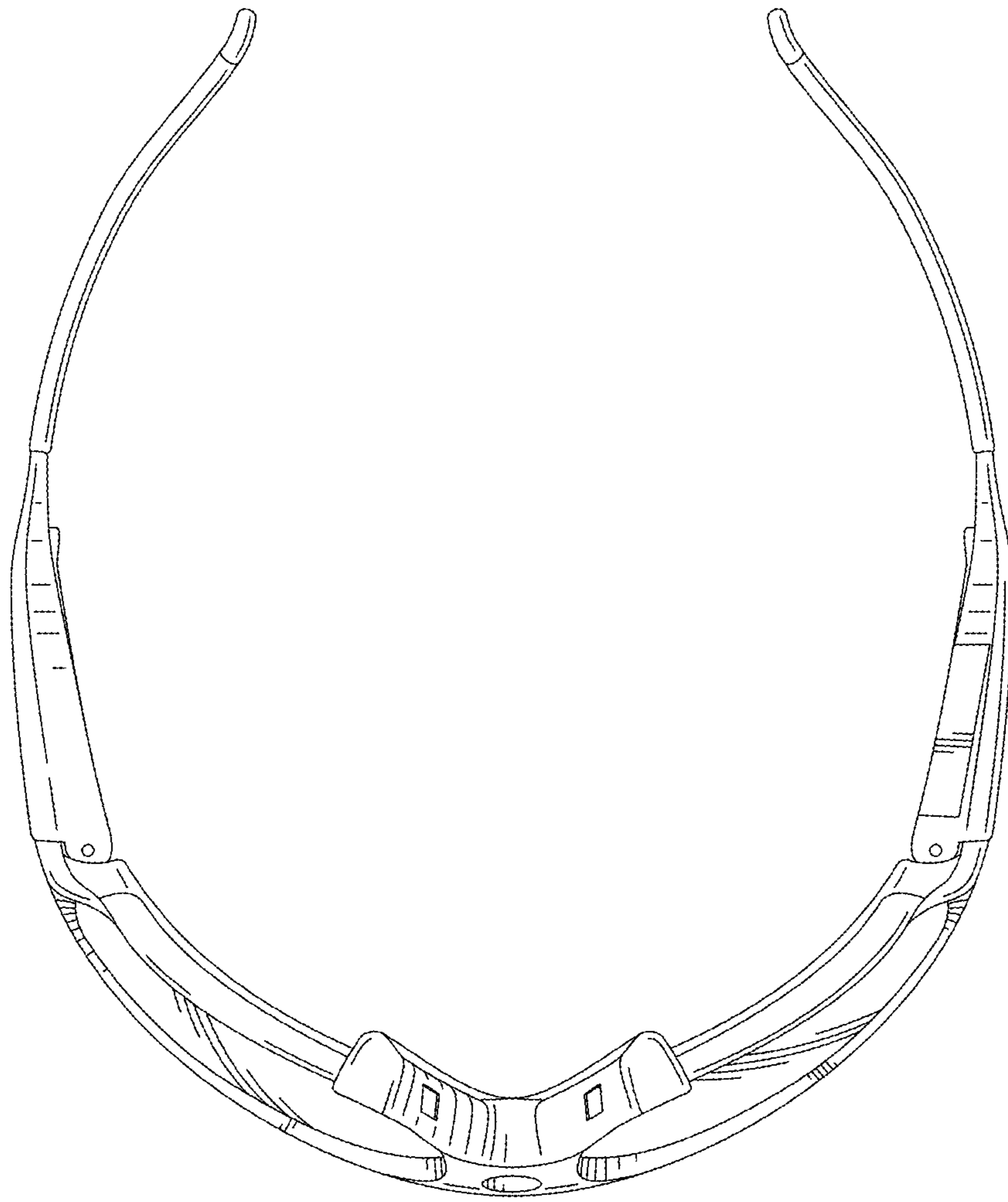


FIG. 5

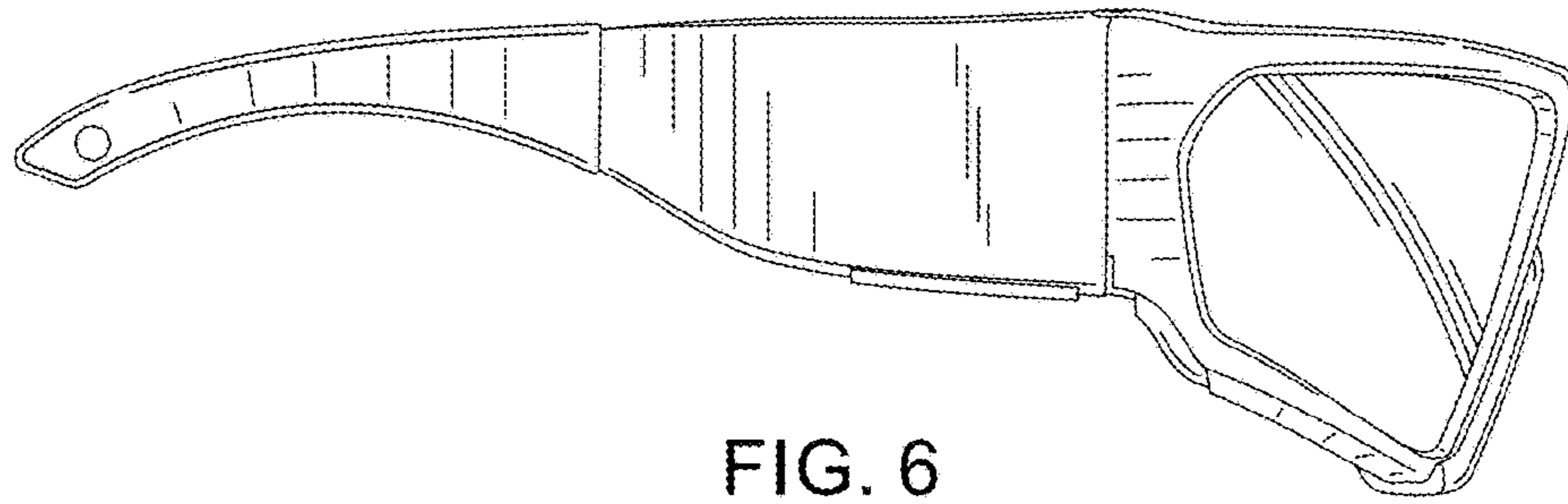


FIG. 6

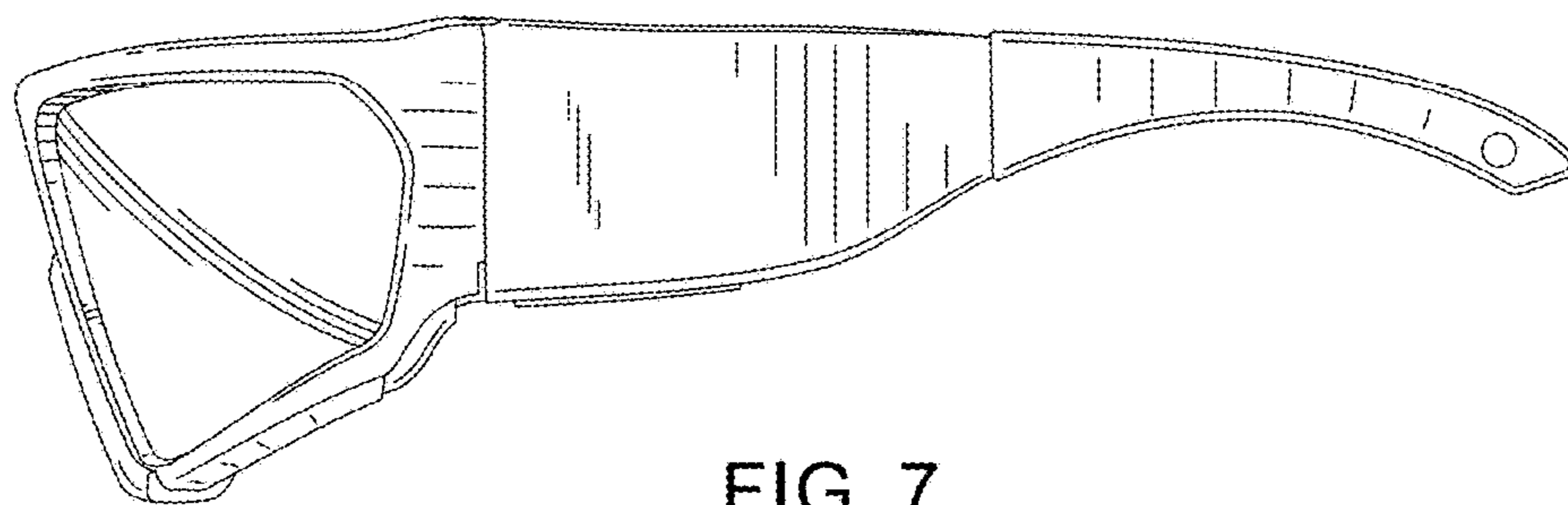


FIG. 7