



US00D834085S

(12) **United States Design Patent**
Lu et al.

(10) **Patent No.:** **US D834,085 S**

(45) **Date of Patent:** **** Nov. 20, 2018**

(54) **SURVEILLANCE CAMERA FOR AN
AUTOMOBILE**

(71) Applicant: **ACTRON TECHNOLOGY
CORPORATION**, Taoyuan (TW)

(72) Inventors: **San-Ming Lu**, Taoyuan (TW); **Yu-Ting
Liao**, Taoyuan (TW)

(73) Assignee: **ACTRON TECHNOLOGY
CORPORATION**, Taoyuan (TW)

(**) Term: **15 Years**

(21) Appl. No.: **29/607,641**

(22) Filed: **Jun. 15, 2017**

(51) **LOC (11) Cl.** **16-01**

(52) **U.S. Cl.**
USPC **D16/203**

(58) **Field of Classification Search**
USPC D16/200–204, 208, 218, 219;
D12/187–189, 400; 340/932.2, 933, 937;
348/143, 148, 151, 360, 373–376;
396/419, 427–429, 433, 529, 535,
396/537–541
CPC G03B 15/03; G03B 17/02; G03B 17/04;
G03B 17/48; G03B 17/56; G03B 19/04;
G08G 1/0175; H04N 5/2251; H04N
5/2252; H04N 5/2253; H04N 5/2254
See application file for complete search history.

(56) **References Cited**

U.S. PATENT DOCUMENTS

D565,073 S * 3/2008 Jeon D16/203
D606,572 S * 12/2009 Samson D16/203
D612,410 S * 3/2010 Deurwaarder D16/203
D629,826 S * 12/2010 Funakoshi D16/220

D633,932 S * 3/2011 Park D16/203
D647,934 S * 11/2011 Raken D16/202
D686,267 S * 7/2013 Mihara D16/202
D700,231 S * 2/2014 Berkmortel D16/203
D707,743 S * 6/2014 Nakashima D16/202
D724,642 S * 3/2015 Cho D16/218
2012/0327234 A1 * 12/2012 Fish, Jr. H04N 7/185
348/148
2013/0107110 A1 * 5/2013 Park H04N 5/2252
348/373

* cited by examiner

Primary Examiner — Philip S Hyder

Assistant Examiner — Ramzi S Almatrahi

(74) *Attorney, Agent, or Firm* — Li & Cai Intellectual
Property (USA) Office

(57) **CLAIM**

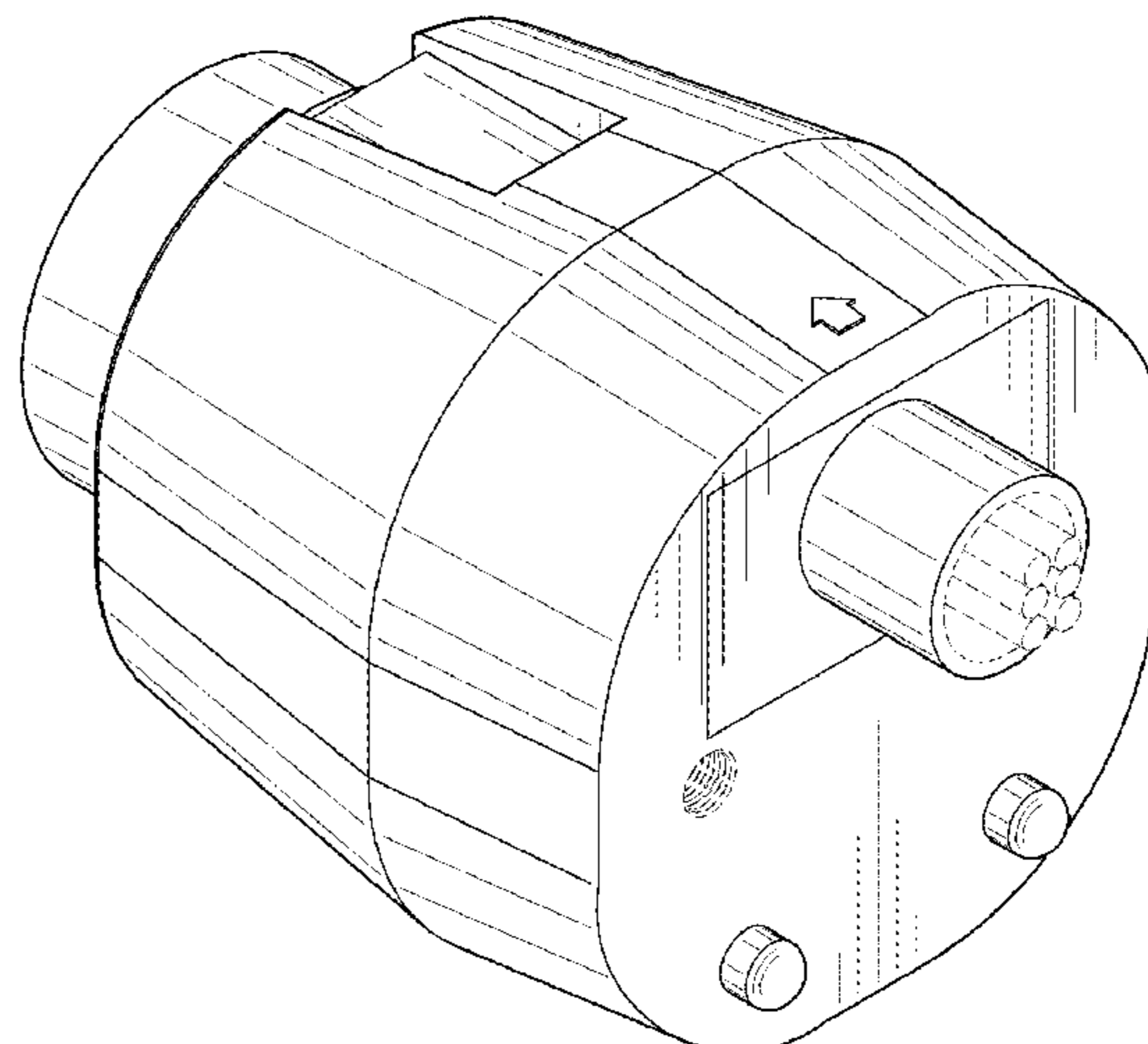
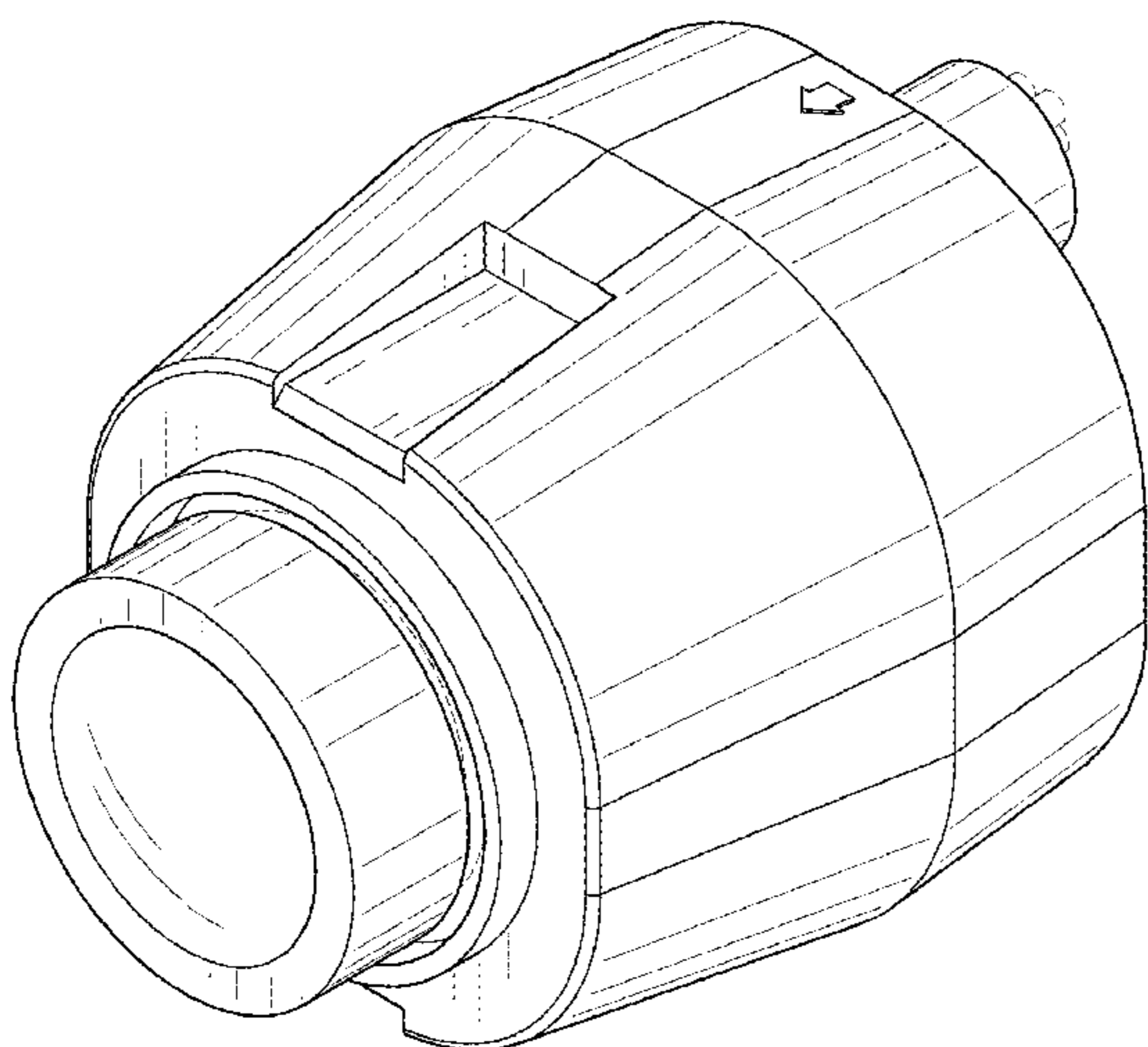
The ornamental design for a surveillance camera for an
automobile, as shown and described.

DESCRIPTION

FIG. 1 is a front and top perspective view of a surveillance
camera for an automobile showing our new design;
FIG. 2 is a front elevation view thereof;
FIG. 3 is a rear elevation view thereof;
FIG. 4 is a left side elevation view thereof;
FIG. 5 is a right side elevation view thereof;
FIG. 6 is a top plan view thereof;
FIG. 7 is a bottom plan view thereof; and
FIG. 8 is a rear and top perspective view thereof;
FIG. 9 is a front and bottom perspective view thereof; and,
FIG. 10 is a partial cross-sectional view thereof taken along
line 10-10 in FIG. 6.

The broken lines depict portions of a surveillance camera for
an automobile in which the design is embodied that form no
part of the claimed design.

1 Claim, 10 Drawing Sheets



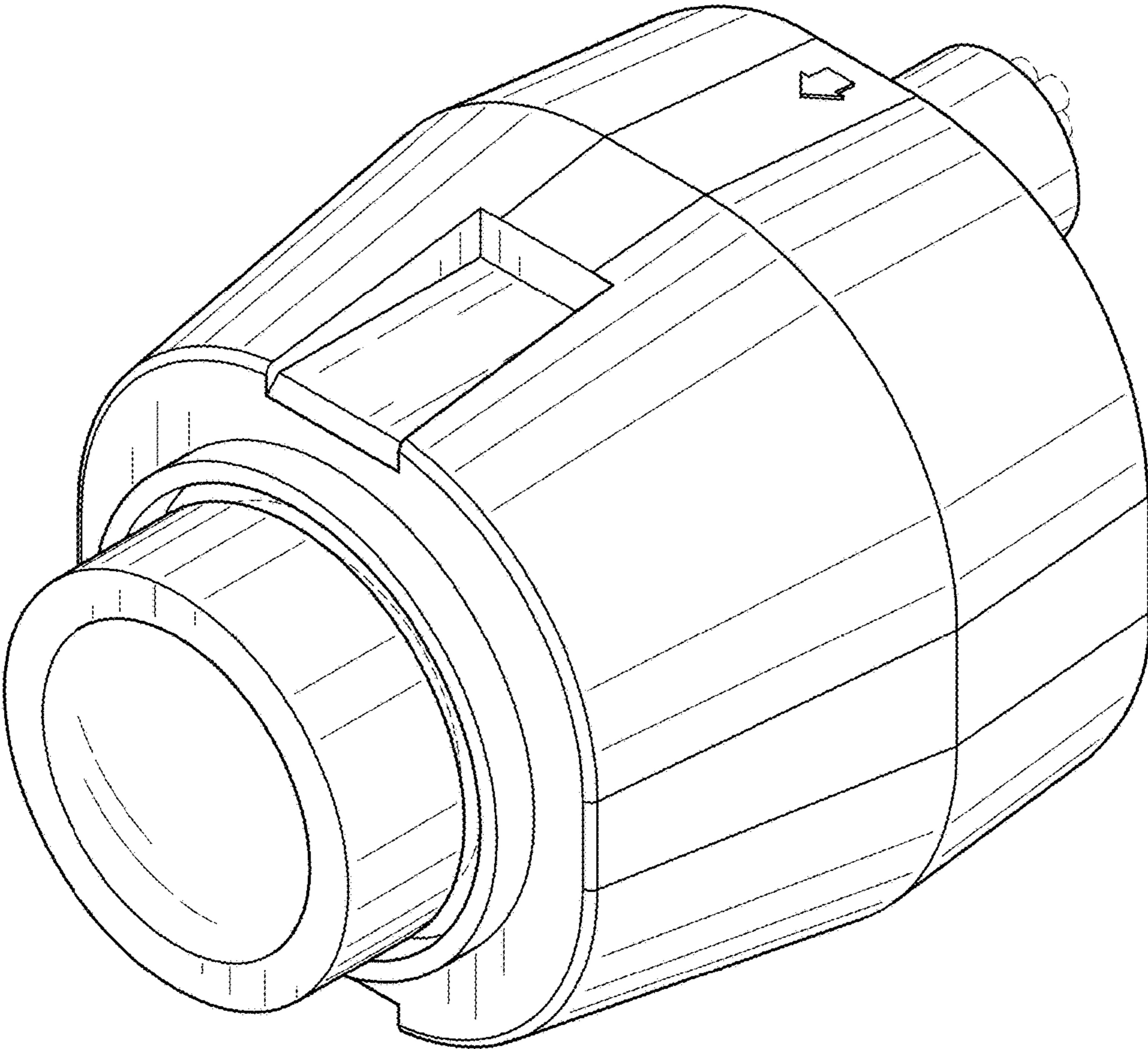


FIG. 1

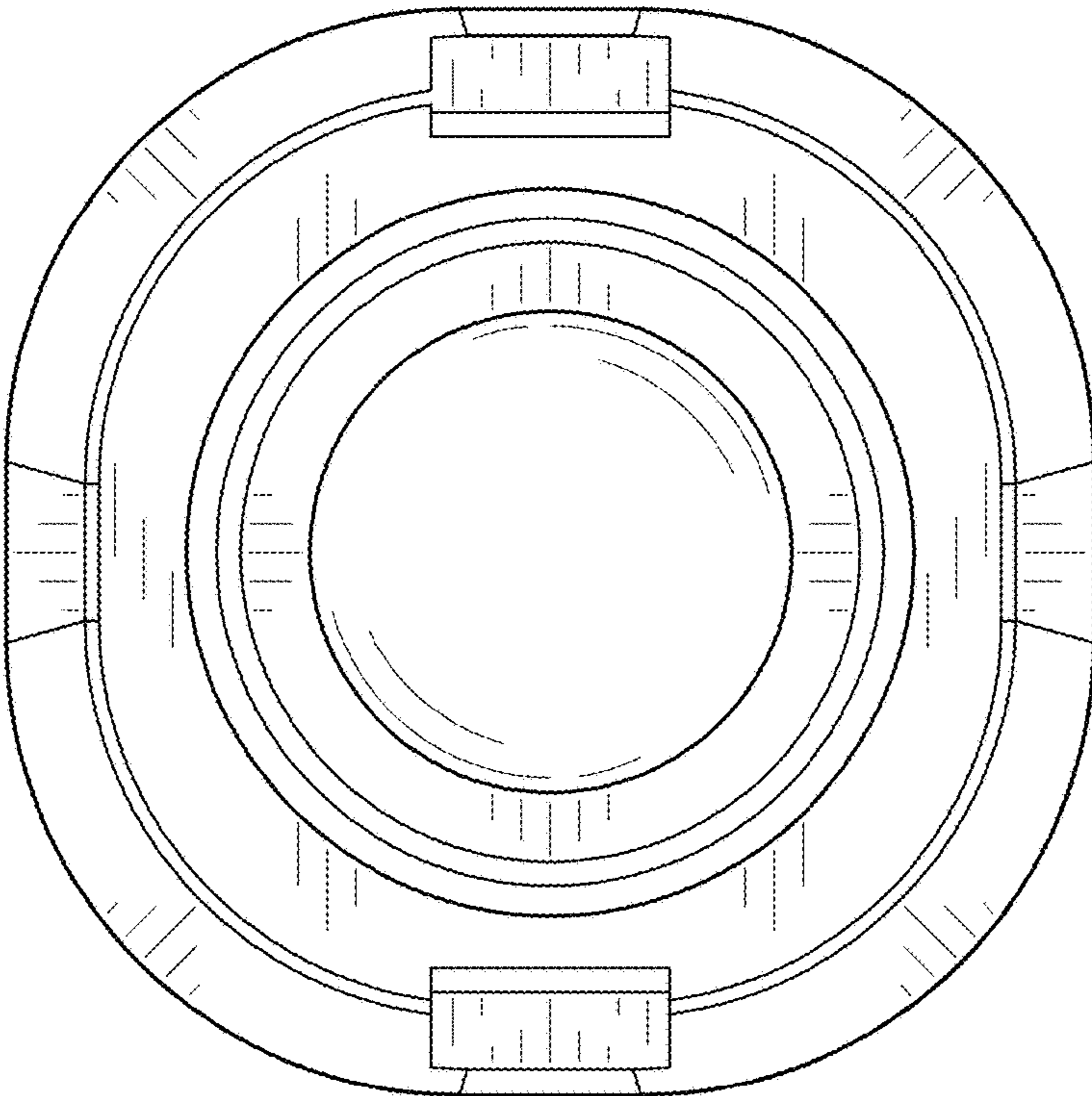


FIG. 2

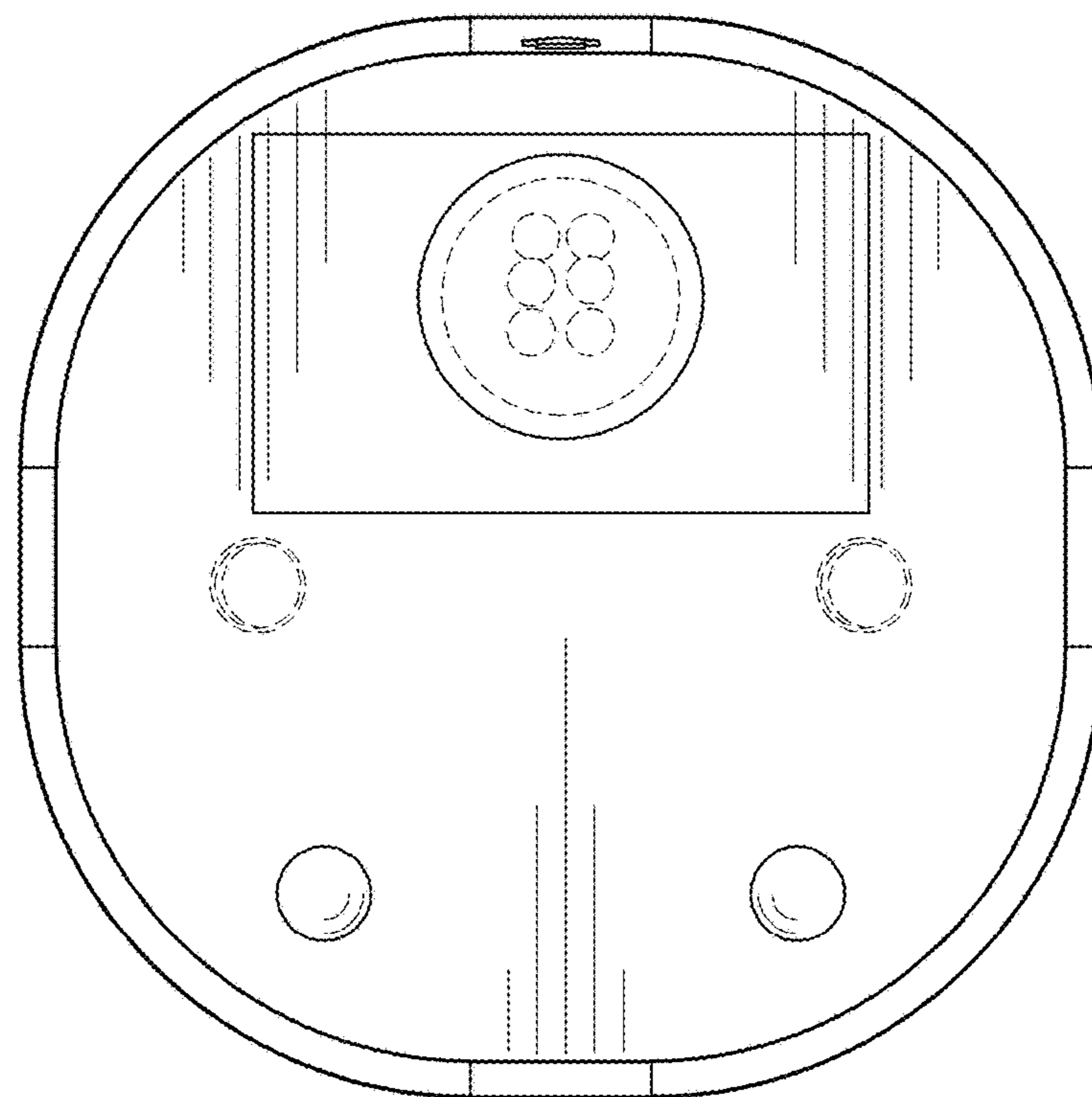


FIG. 3

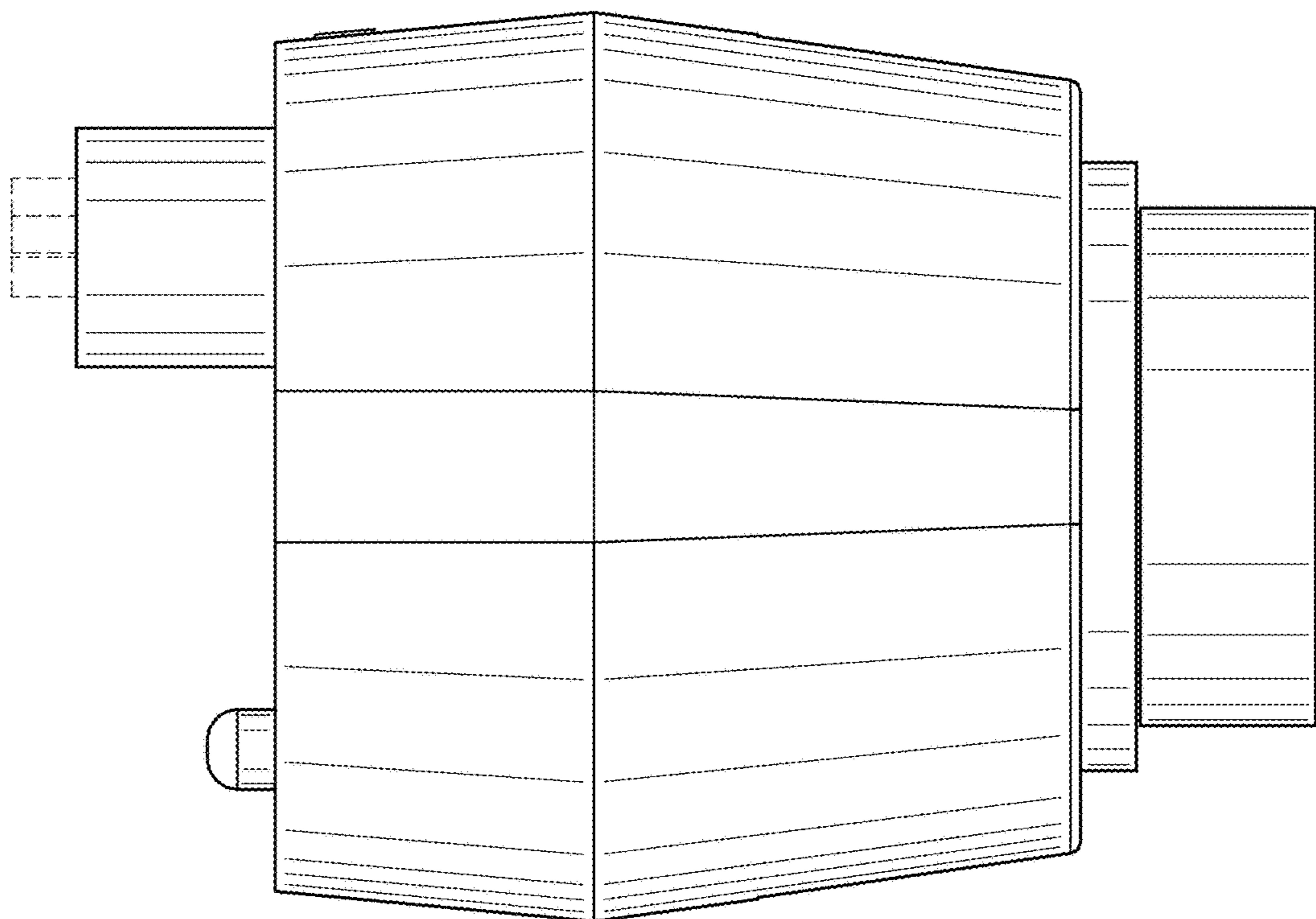


FIG. 4

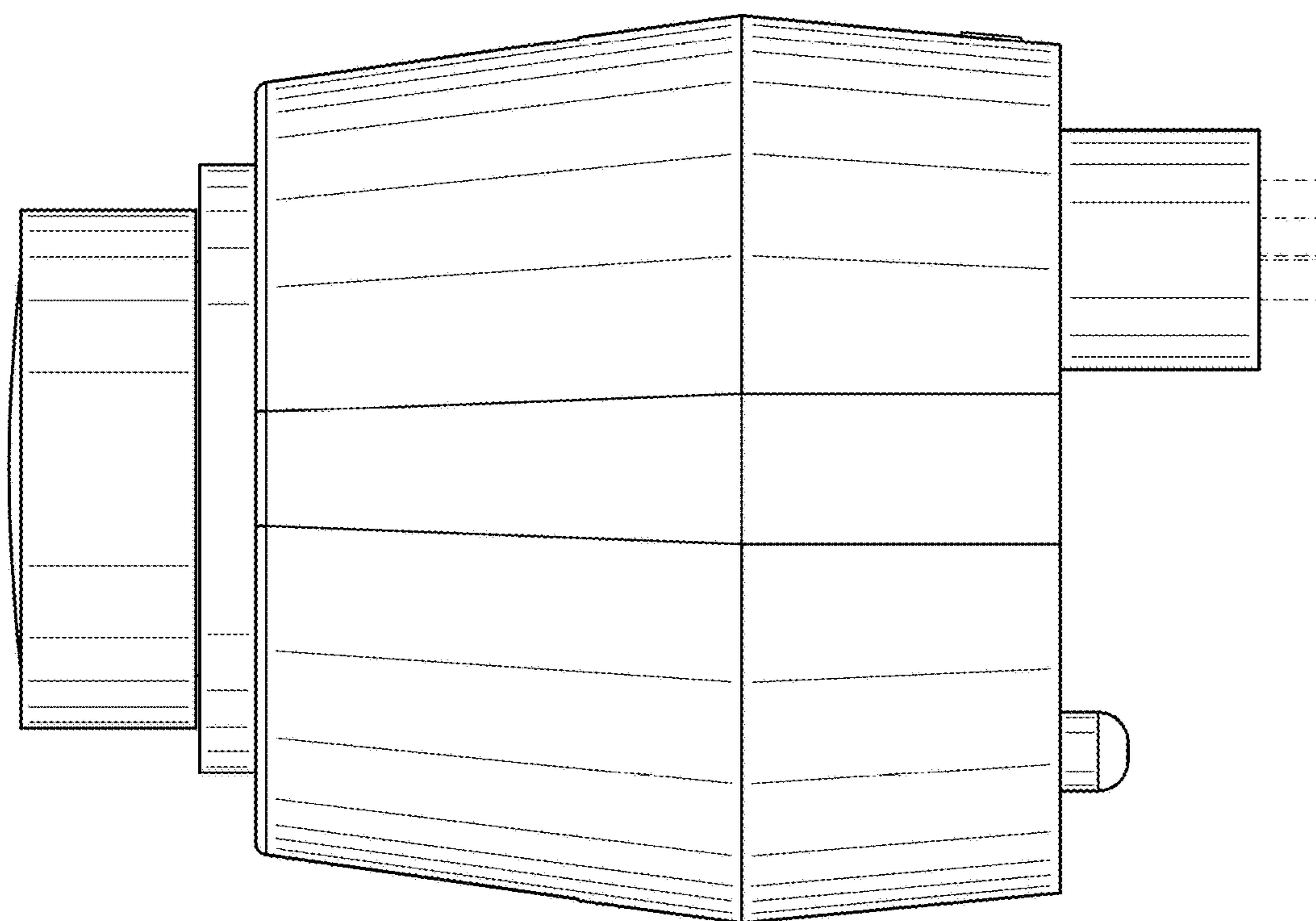


FIG. 5

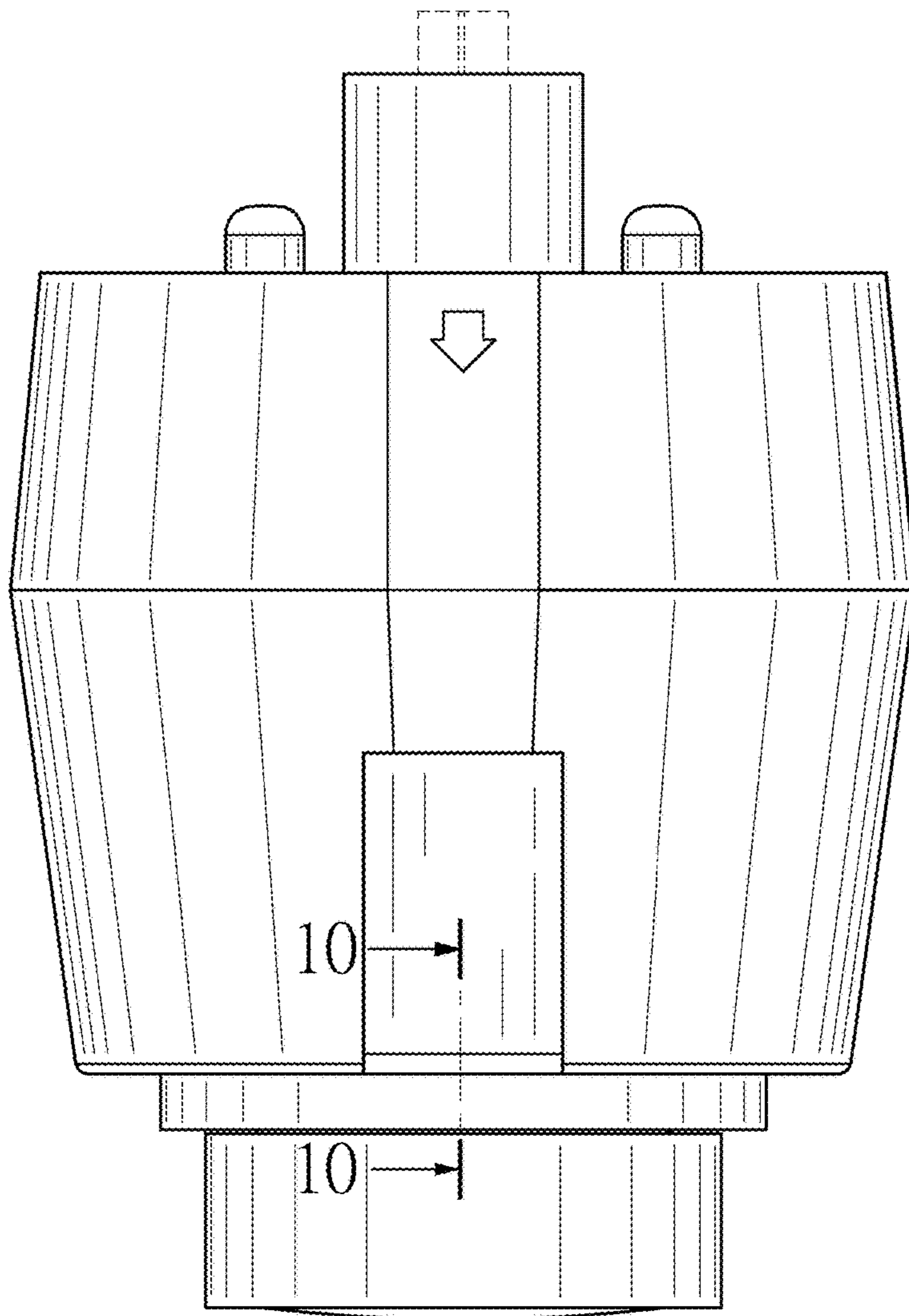


FIG. 6

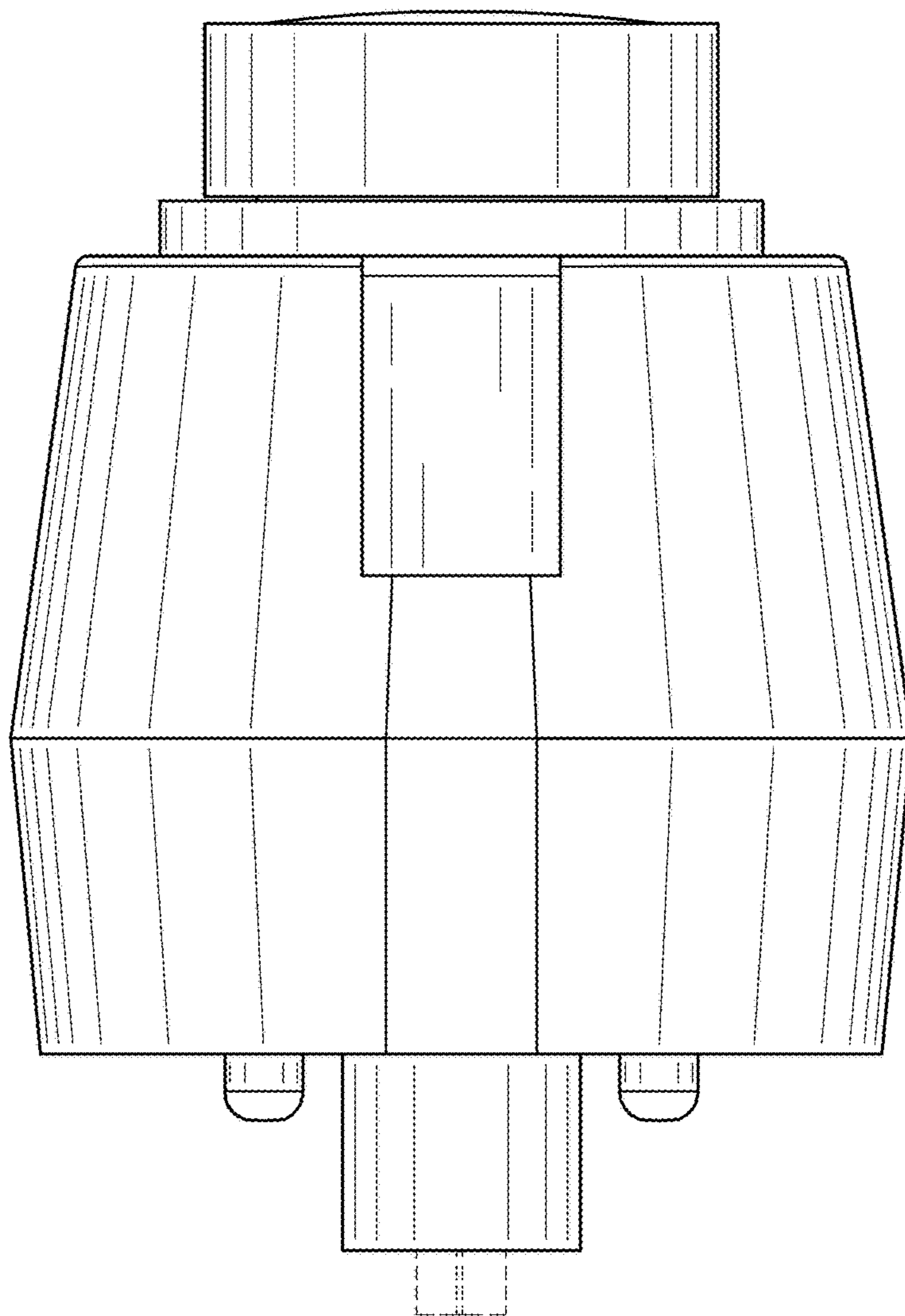


FIG. 7

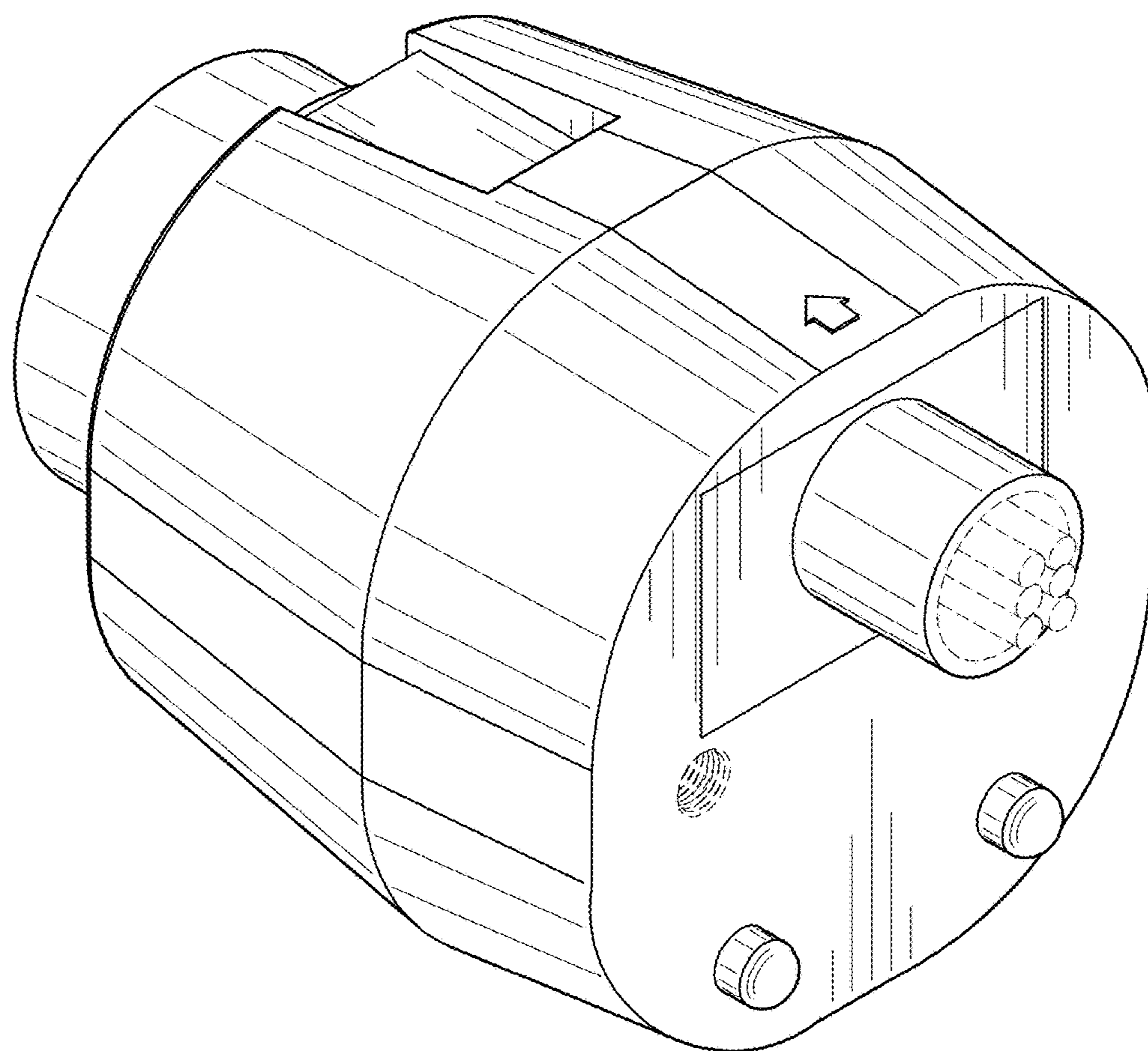


FIG. 8

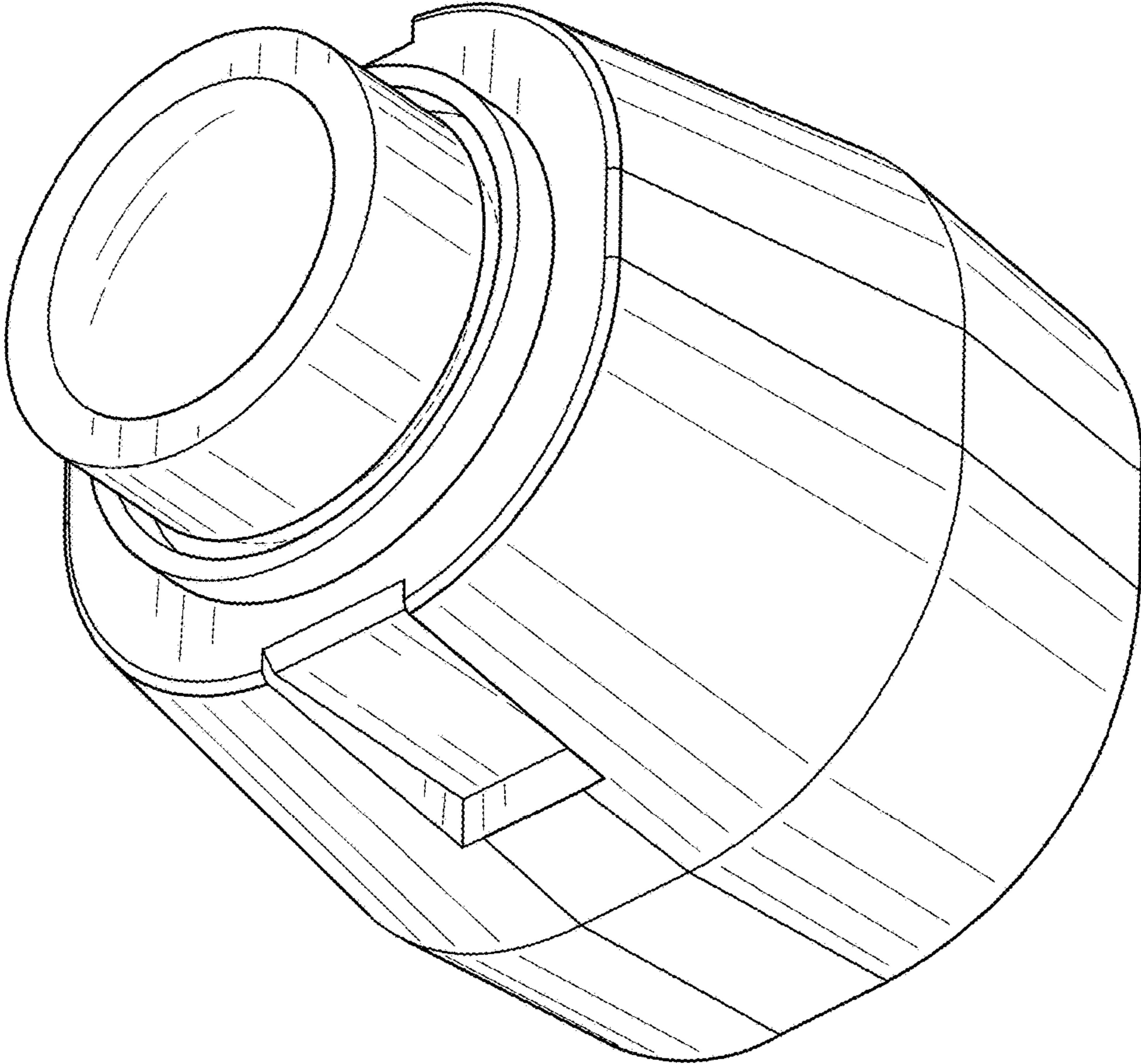


FIG. 9

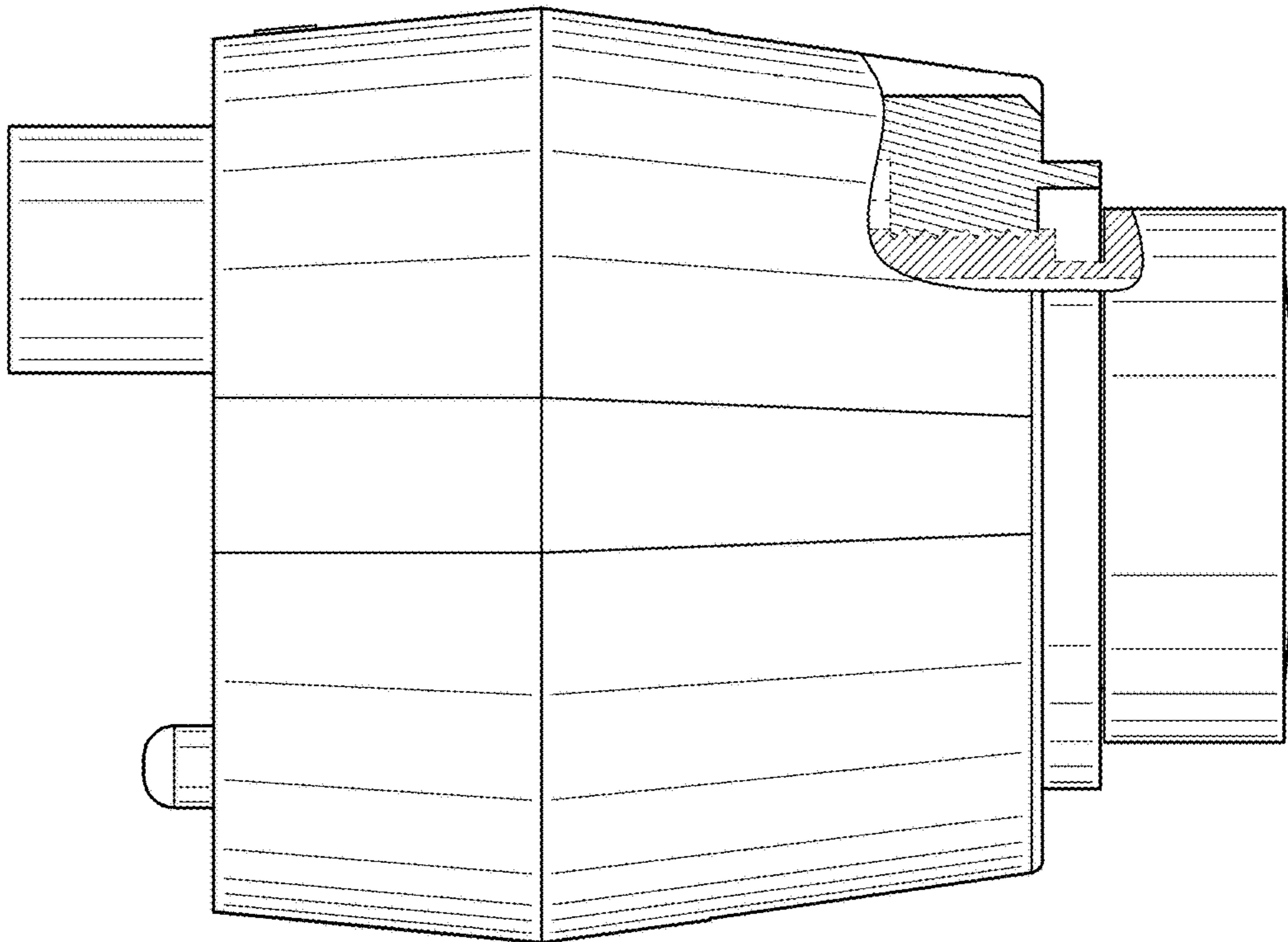


FIG. 10