



US00D834084S

(12) **United States Design Patent**
Gredler

(10) **Patent No.:** **US D834,084 S**

(45) **Date of Patent:** **** Nov. 20, 2018**

(54) **CAMERA**

(71) Applicant: **Leica Camera AG, Wetzlar (DE)**

(72) Inventor: **Christoph Gredler, Unterhaching (DE)**

(73) Assignee: **Leica Camera AG, Wetzlar (DE)**

(**) Term: **15 Years**

(21) Appl. No.: **29/571,497**

(22) Filed: **Jul. 19, 2016**

(51) **LOC (11) Cl.** **16-01**

(52) **U.S. Cl.**
USPC **D16/202**

(58) **Field of Classification Search**
USPC D16/200, 202–206, 208, 218, 219;
348/373–376; 396/535, 539–541
CPC G03B 15/03; G03B 17/02; G03B 17/04;
G03B 17/56; G03B 19/04; H04N 5/2251;
H04N 5/2252; H04N 5/2253; H04N
5/2254; H04N 2101/00
See application file for complete search history.

(56) **References Cited**

U.S. PATENT DOCUMENTS

D631,496 S *	1/2011	Tainaka	D16/202
D657,408 S *	4/2012	Tainaka	D16/202
D662,962 S *	7/2012	Inoue	D16/219
D692,939 S *	11/2013	Huang	D16/218
D698,838 S *	2/2014	Tainaka	D16/200

D721,395 S *	1/2015	Woodman	D16/218
D727,386 S *	4/2015	Kobayashi	D16/202
D750,686 S *	3/2016	Chen	D16/218
D754,768 S *	4/2016	Patulski	D16/202
D791,211 S *	7/2017	Fujita	D16/219
D795,325 S *	8/2017	Germade	D16/202
D803,925 S *	11/2017	Hoshi	D16/218
2011/0109790 A1 *	5/2011	Shinohara	G03B 17/14 348/373

* cited by examiner

Primary Examiner — Philip S Hyder

Assistant Examiner — Ramzi S Almatrahi

(74) *Attorney, Agent, or Firm* — Crowell & Moring LLP

(57) **CLAIM**

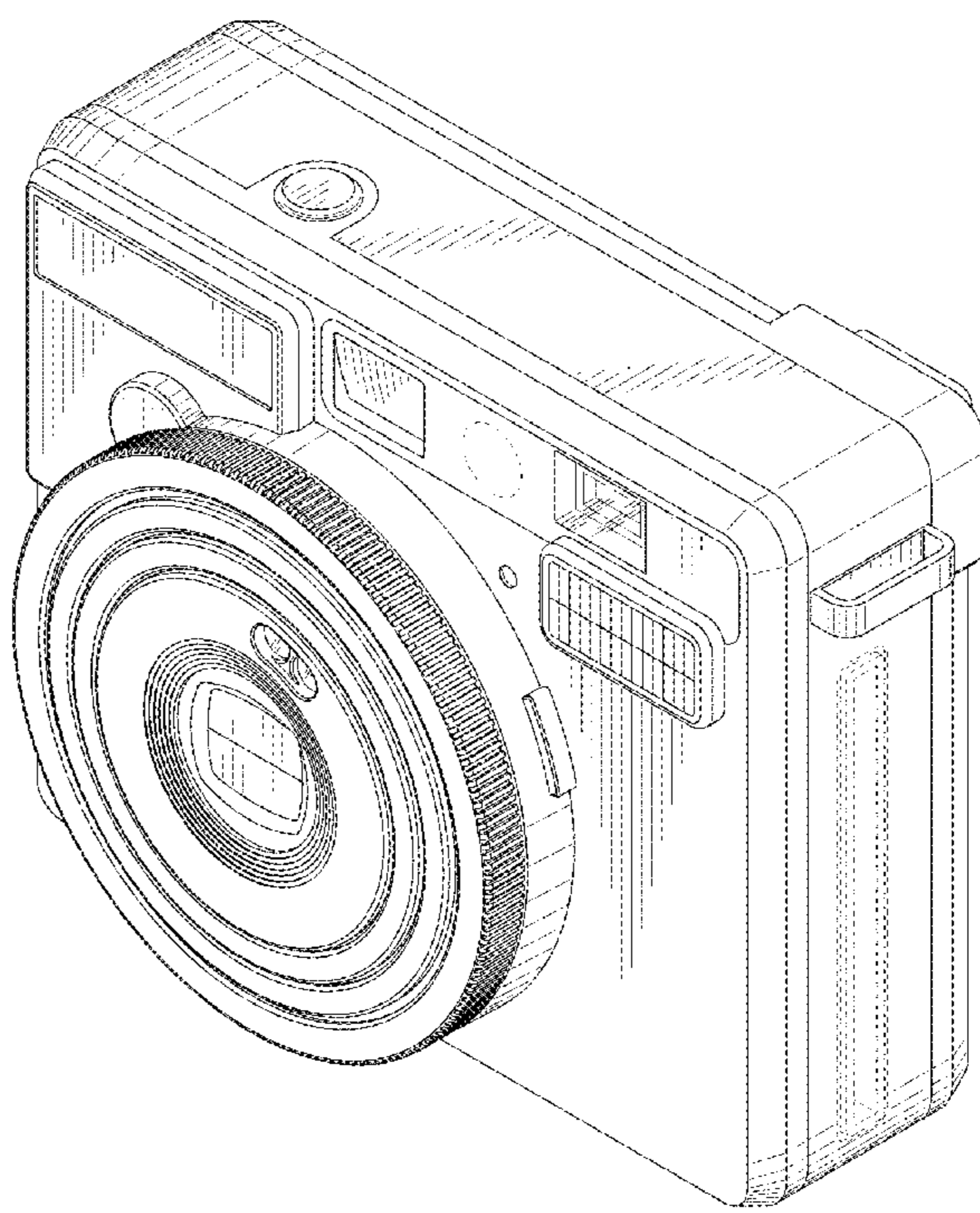
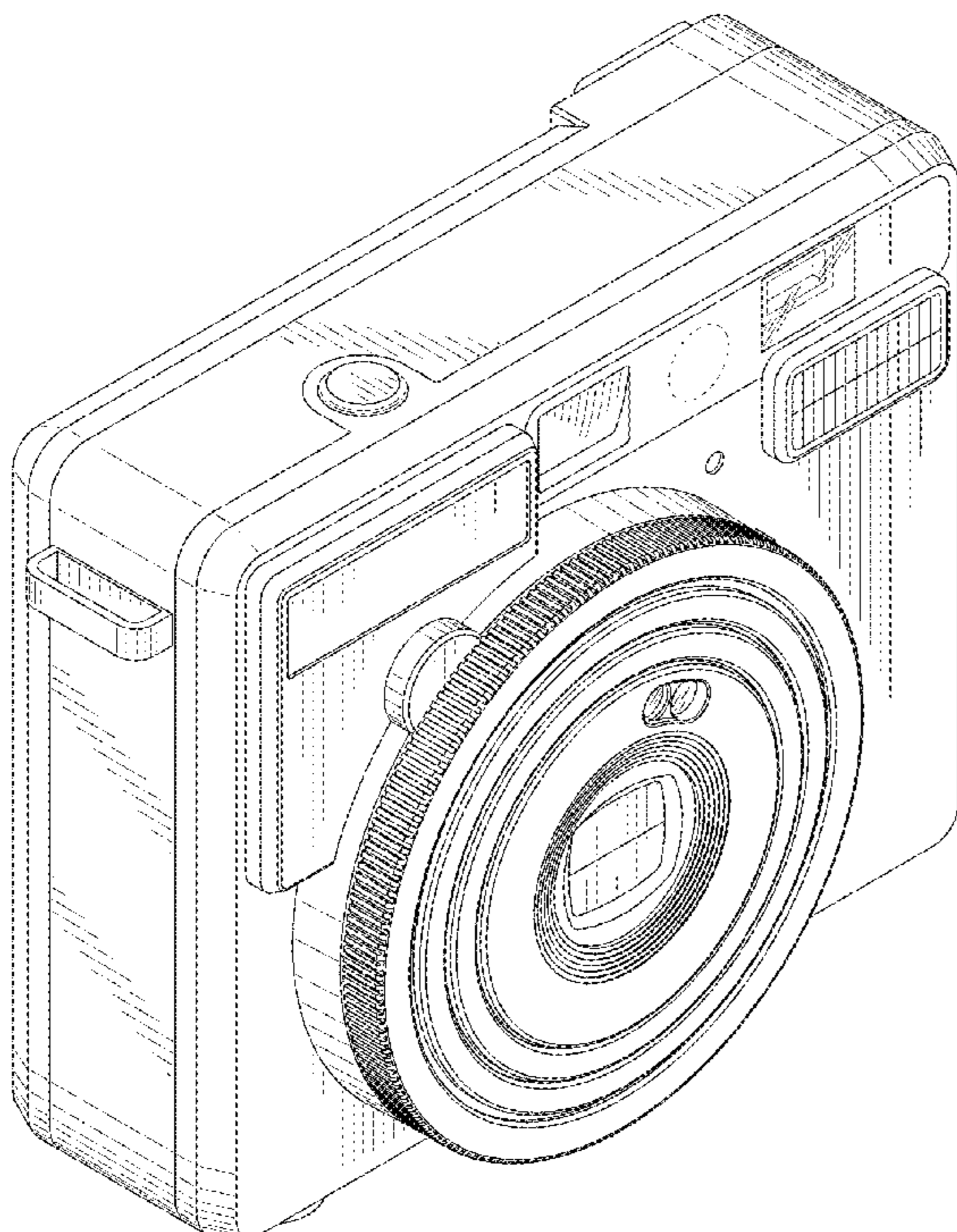
The ornamental design for a camera, as shown and described.

DESCRIPTION

FIG. 1 is a top, front, left side perspective view of a camera showing my new design;
FIG. 2 is a top, front, right side perspective view thereof;
FIG. 3 is a front view thereof;
FIG. 4 is a rear view thereof;
FIG. 5 is a left side view thereof;
FIG. 6 is a right side view thereof;
FIG. 7 is a top view thereof; and,
FIG. 8 is bottom view thereof.

The broken lines depict portions of the camera in which the design is embodied that form no part of the claimed design.

1 Claim, 6 Drawing Sheets



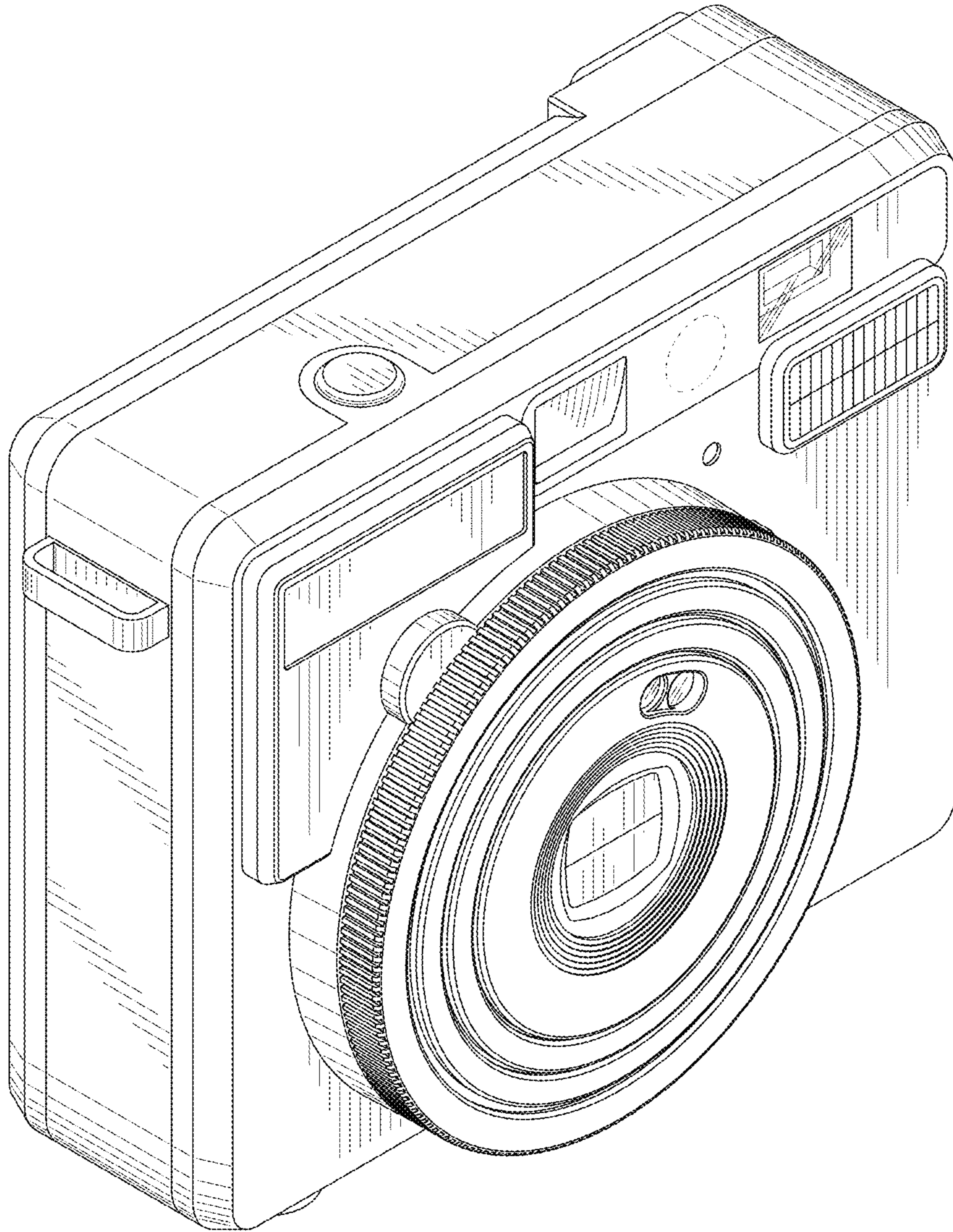


FIG. 1

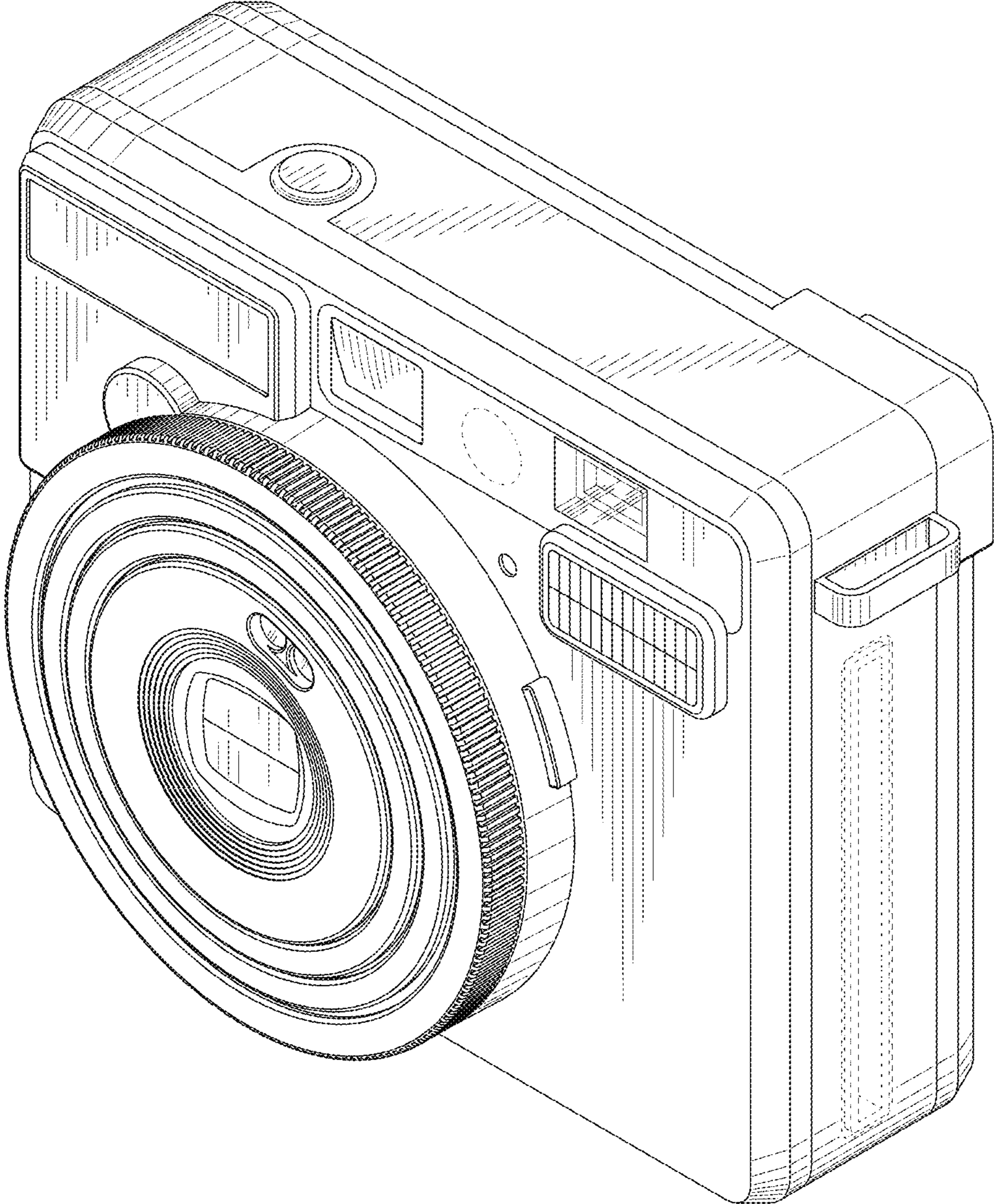


FIG. 2

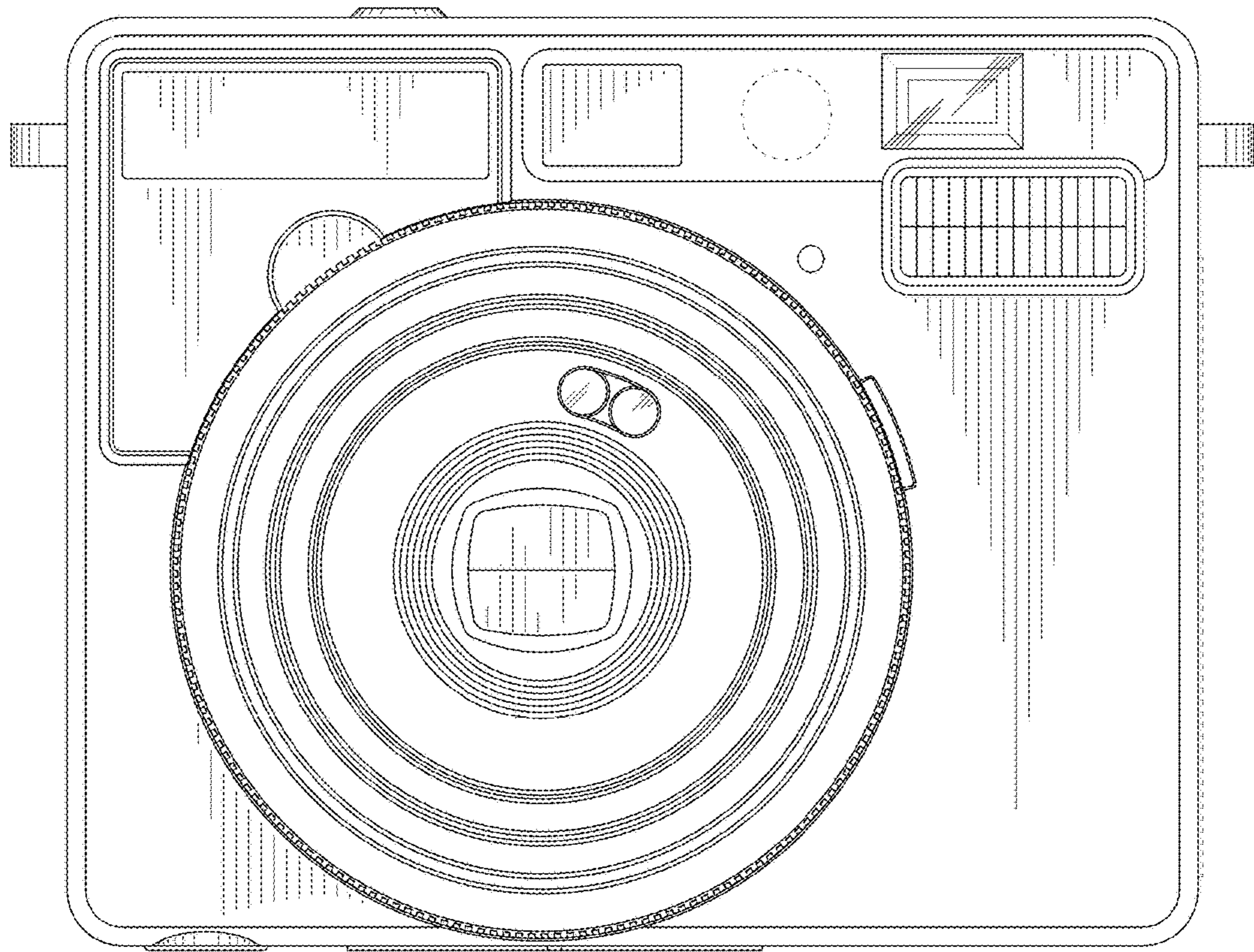


FIG. 3

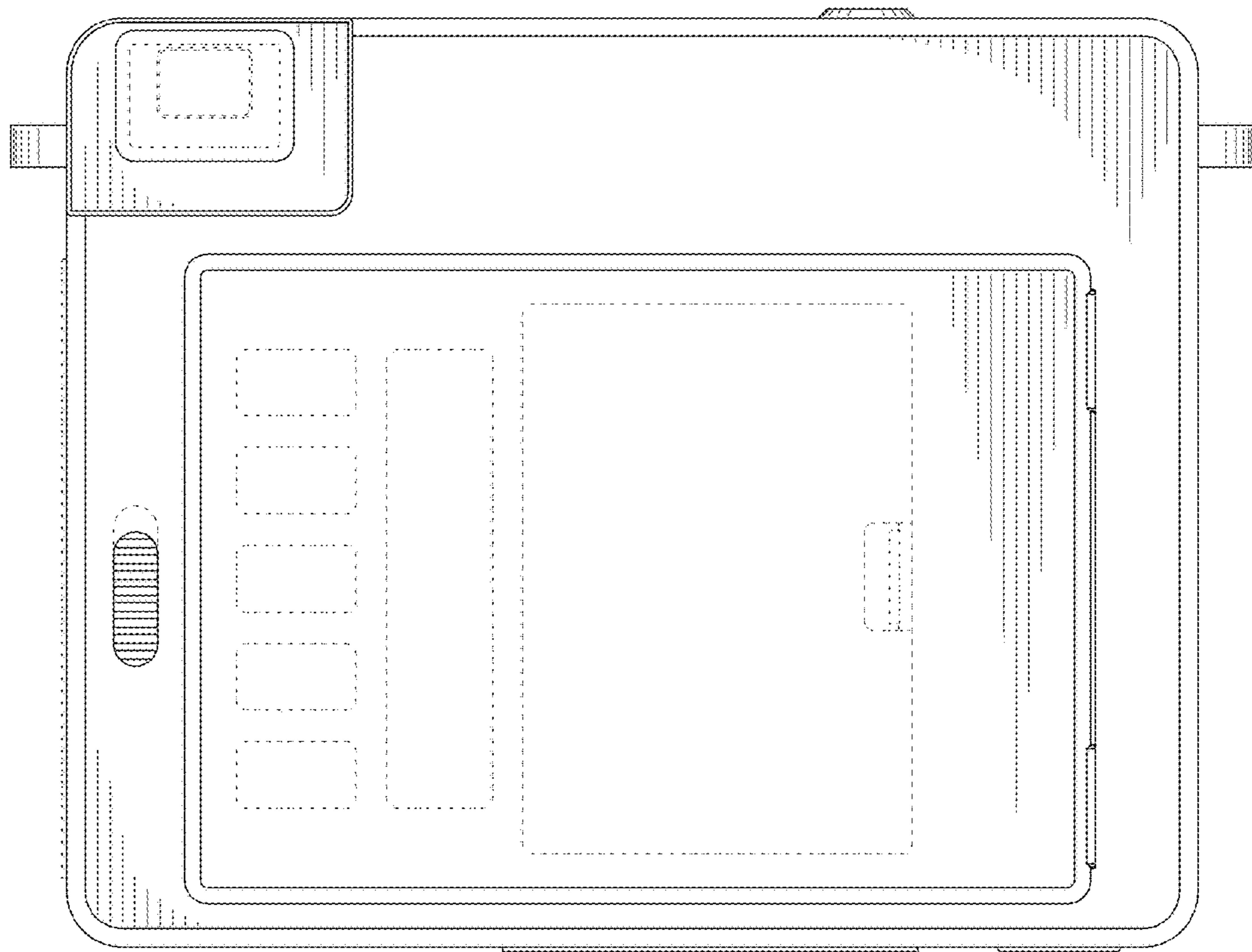


FIG. 4

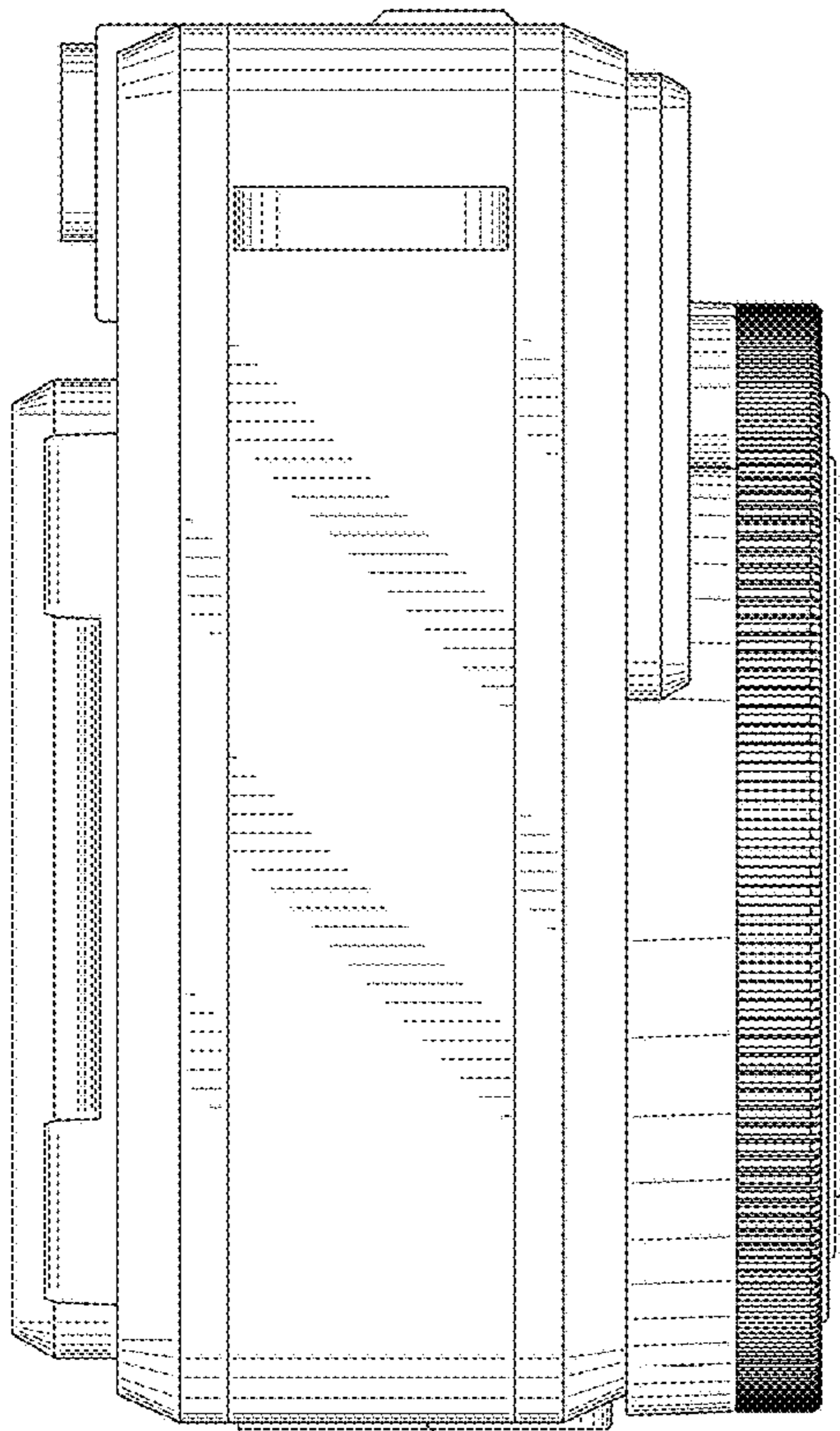


FIG. 5

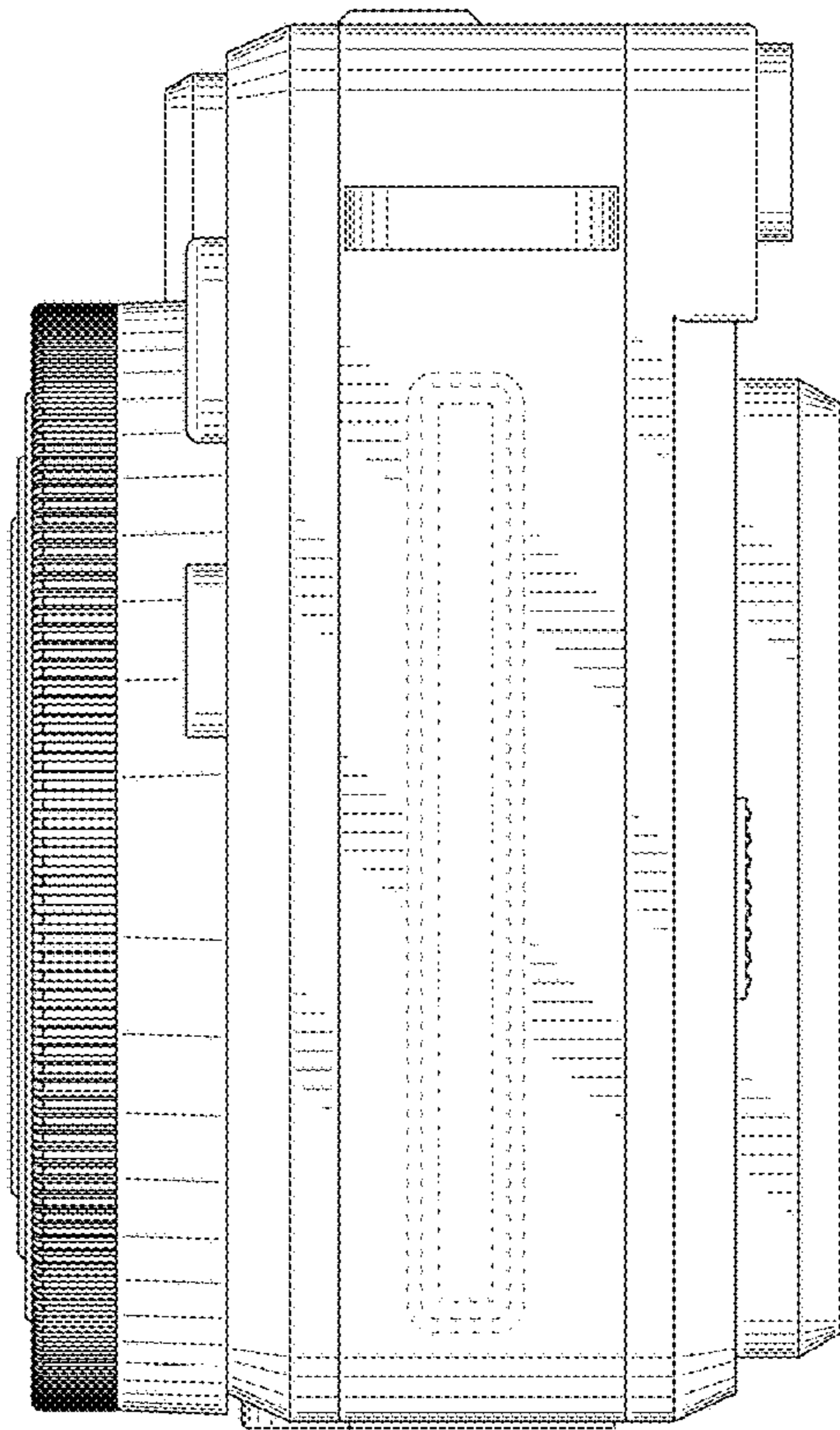


FIG. 6

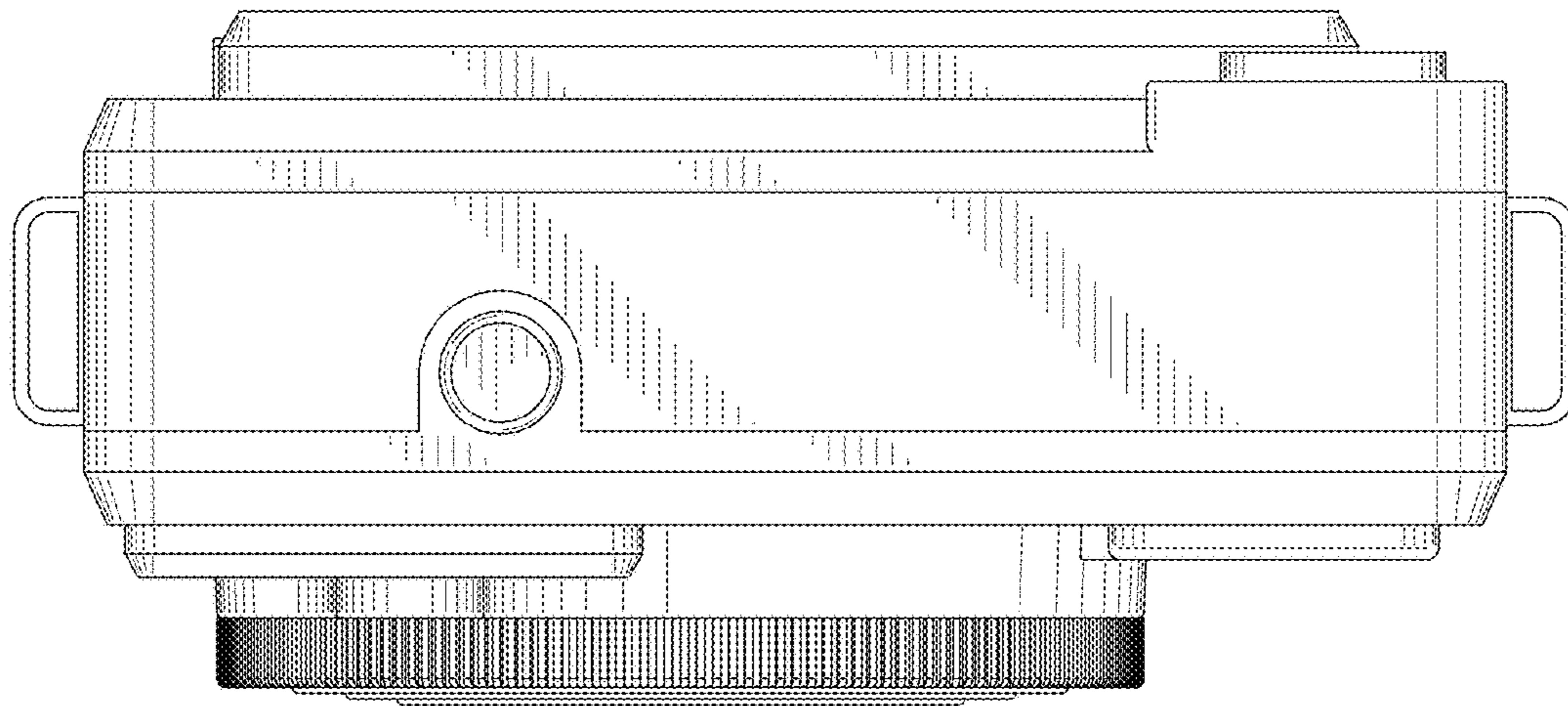


FIG. 7

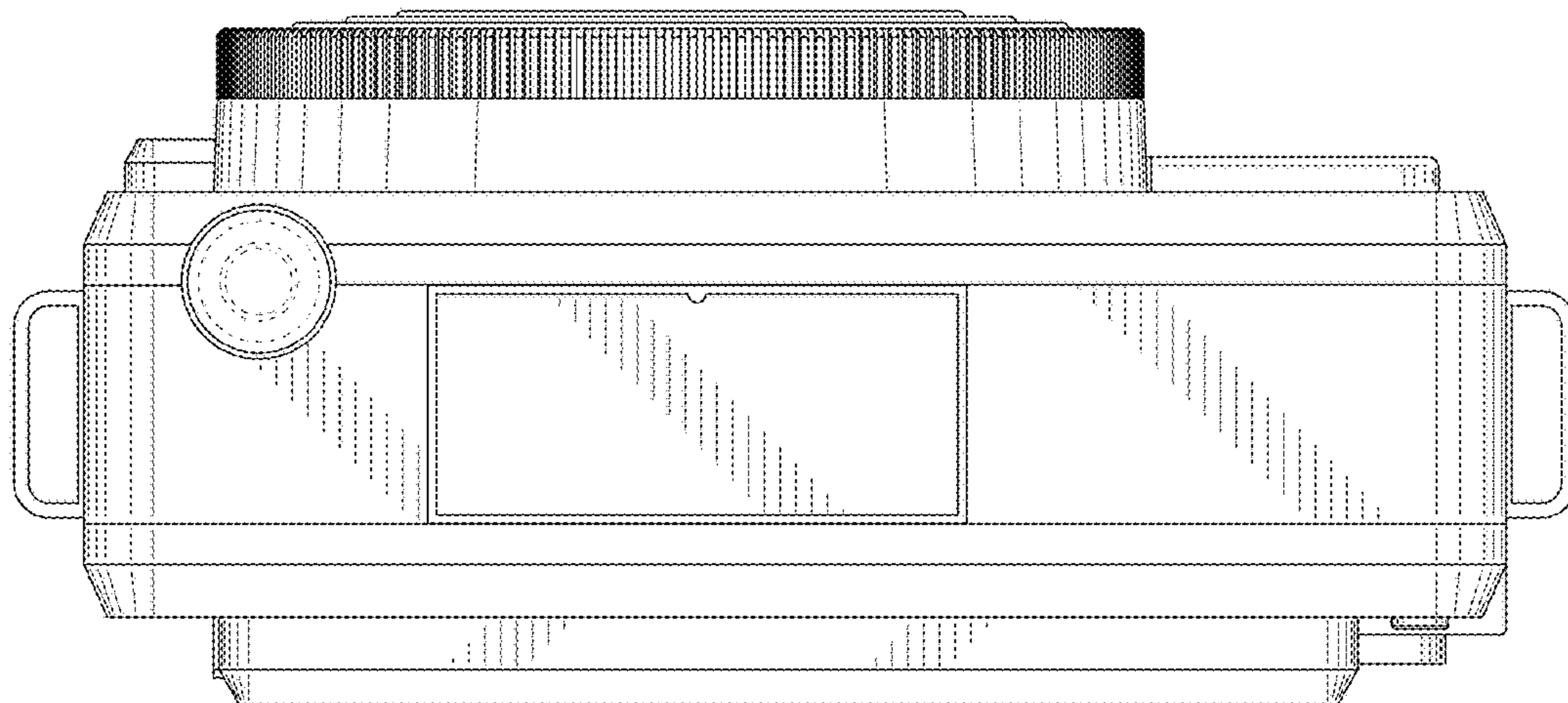


FIG. 8