



US00D834083S

(12) **United States Design Patent**
Matsumoto et al.

(10) **Patent No.:** **US D834,083 S**

(45) **Date of Patent:** **** Nov. 20, 2018**

(54) **BALLOON WITH VIDEO CAMERA**

(71) Applicant: **Panasonic Intellectual Property Management Co., Ltd., Osaka (JP)**

(72) Inventors: **Hiroyuki Matsumoto, Osaka (JP); Shigenori Ichimura, Tokyo (JP)**

(73) Assignee: **Panasonic Intellectual Property Management Co., Ltd., Osaka (JP)**

(**) Term: **15 Years**

(21) Appl. No.: **29/542,941**

(22) Filed: **Oct. 19, 2015**

(51) **LOC (11) Cl.** **16-01**

(52) **U.S. Cl.**
USPC **D16/202; D16/208**

(58) **Field of Classification Search**
USPC D16/200–208, 210, 214, 218, 219, 242;
D10/65, 70, 74, 106.6; 348/373–376;
358/906; 396/419, 427, 428, 535,
396/539–541
CPC G03B 15/03; G03B 17/02; G03B 17/04;
G03B 17/56; G03B 19/04; H04N 5/2251;
H04N 5/2252; H04N 5/2253; H04N
5/2254; H04N 2101/00
See application file for complete search history.

(56) **References Cited**

U.S. PATENT DOCUMENTS

D424,086 S *	5/2000	Choi	D16/202
D475,385 S *	6/2003	Christianson	D16/202
D505,439 S *	5/2005	Liiv	D16/202
D604,352 S *	11/2009	Carlesso	D16/245
D630,955 S *	1/2011	McAlpine	D10/74
D645,071 S *	9/2011	Hinkel	D16/203
D664,178 S *	7/2012	Hinkel	D16/203
D729,861 S *	5/2015	Huang	D16/203
D734,380 S *	7/2015	Tzarnotzky	D16/207

D785,070 S *	4/2017	Mistry	D16/207
2001/0043737 A1 *	11/2001	Rogina	G06K 9/209 382/154
2015/0348580 A1 *	12/2015	van Hoff	G11B 19/20 348/38

FOREIGN PATENT DOCUMENTS

JP	D830849	3/1992
JP	D830849-1	3/1992

* cited by examiner

Primary Examiner — Philip S Hyder

Assistant Examiner — Ramzi S Almatrahi

(74) *Attorney, Agent, or Firm* — Panasonic IP Management; Kerry S. Culpepper

(57) **CLAIM**

The ornamental design for a balloon with video camera, as shown and described.

DESCRIPTION

FIG. 1 is a top perspective view of a balloon with video camera of the present invention;
 FIG. 2 is a bottom perspective view thereof;
 FIG. 3 is a front view thereof;
 FIG. 4 is a rear view thereof;
 FIG. 5 is a left side view thereof;
 FIG. 6 is a right side view thereof;
 FIG. 7 is a top view thereof;
 FIG. 8 is a bottom view thereof;
 FIG. 9 is a cross-sectional view taken along the line 9-9 in FIG. 3; and,
 FIG. 10 is a cross-sectional view taken along the line 10-10 in FIG. 8.
 The broken lines depict portions of the balloon with video camera in which the design is embodied that form no part of the claimed design.

1 Claim, 10 Drawing Sheets

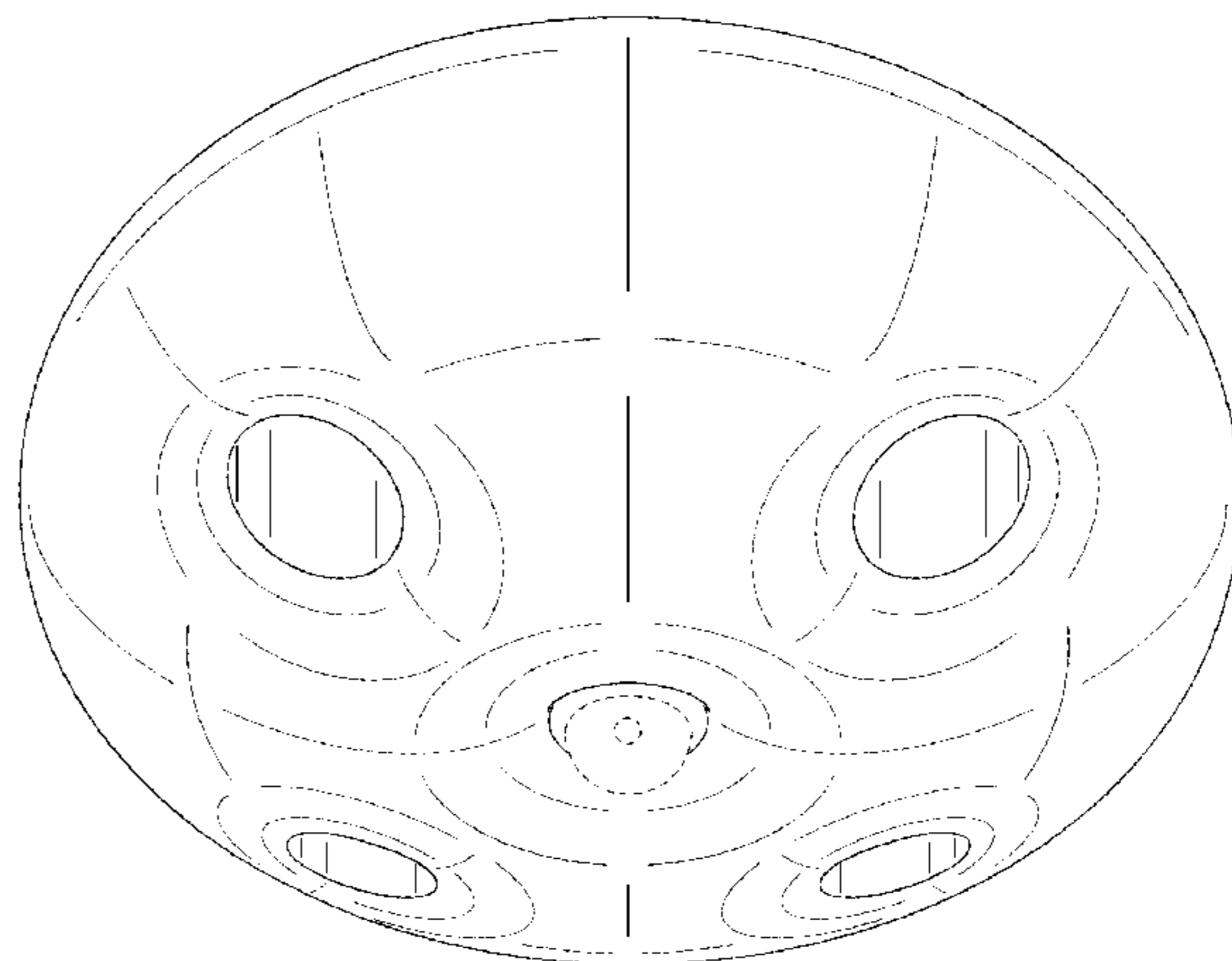
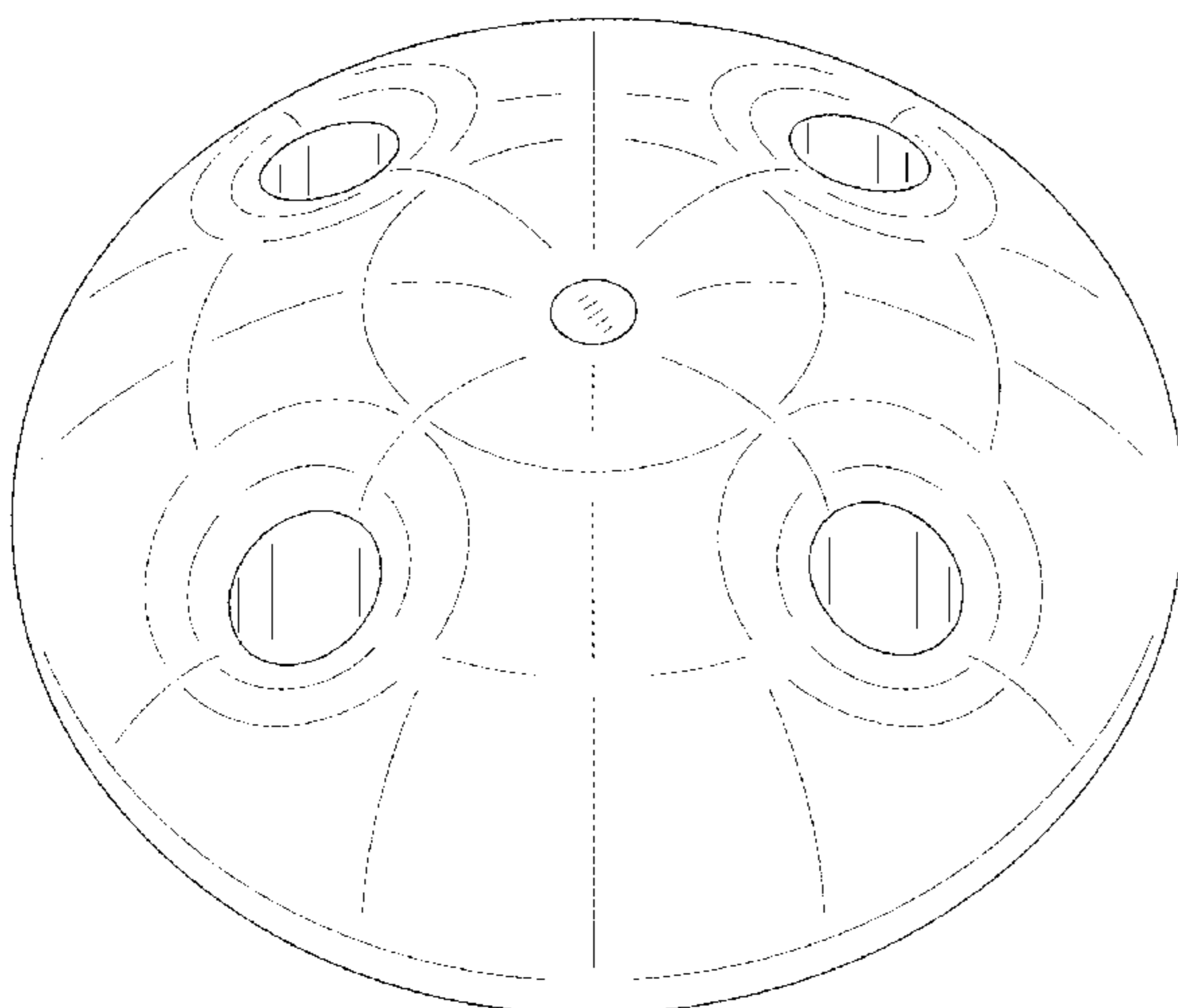


FIG. 1

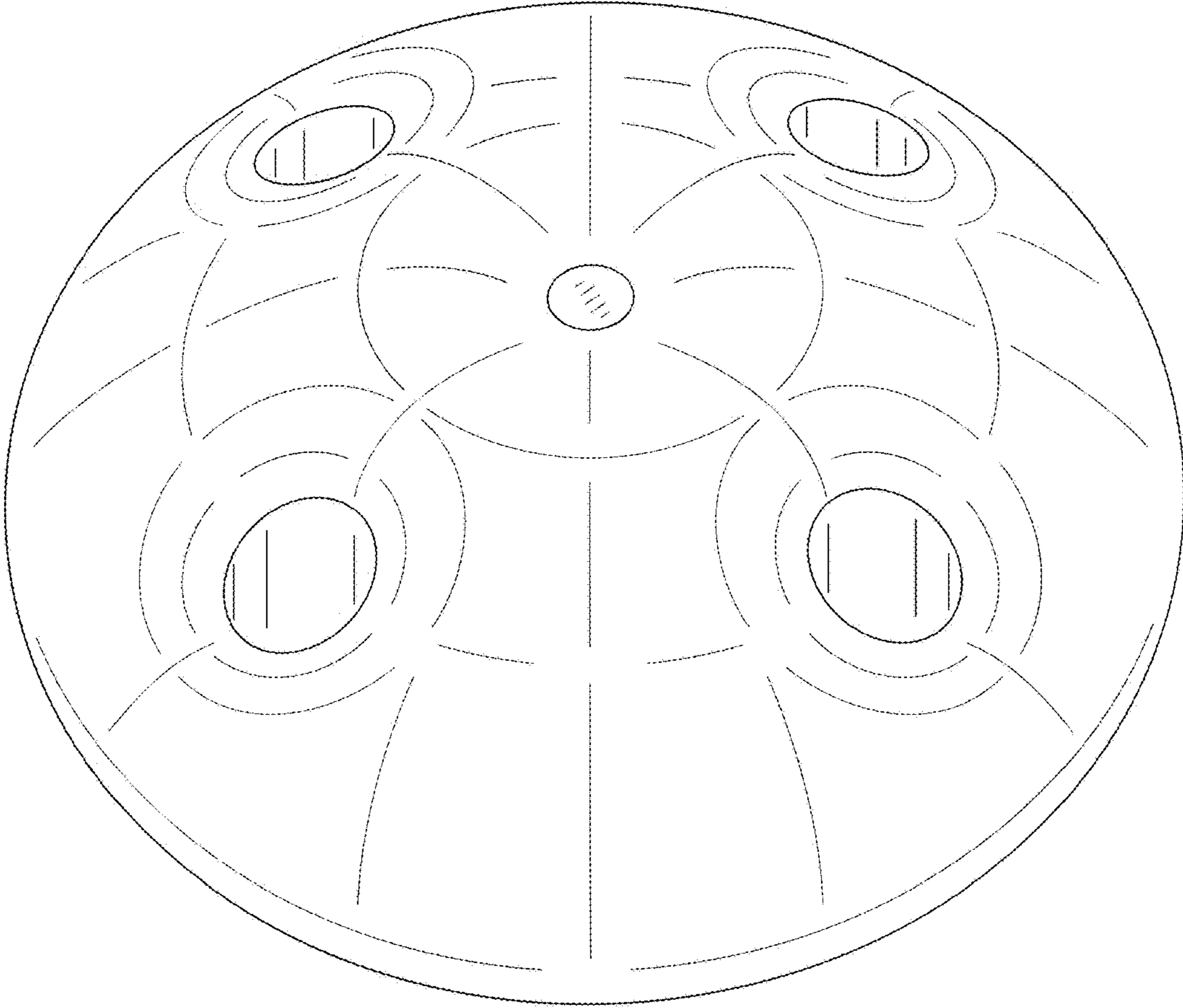


FIG. 2

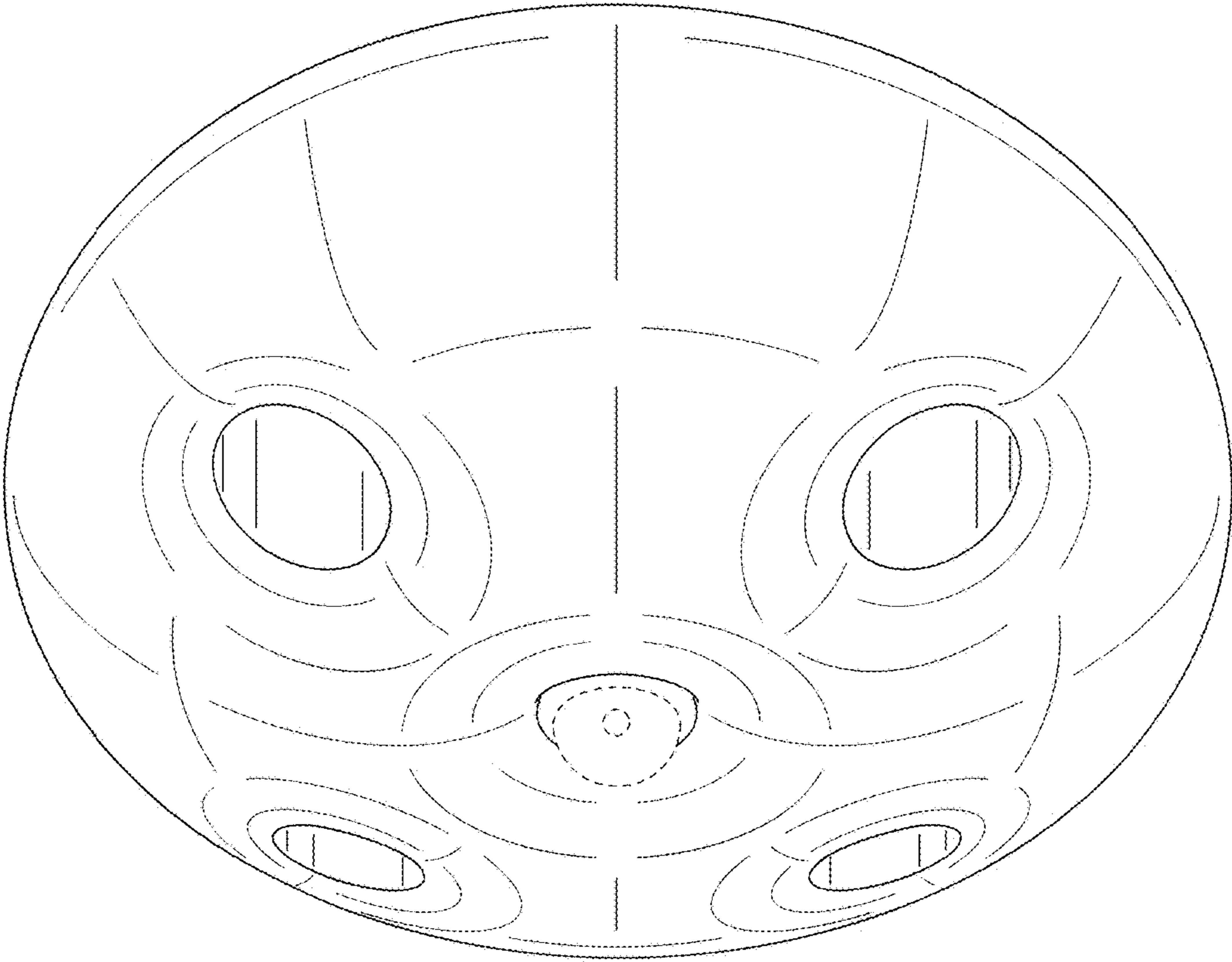


FIG. 3

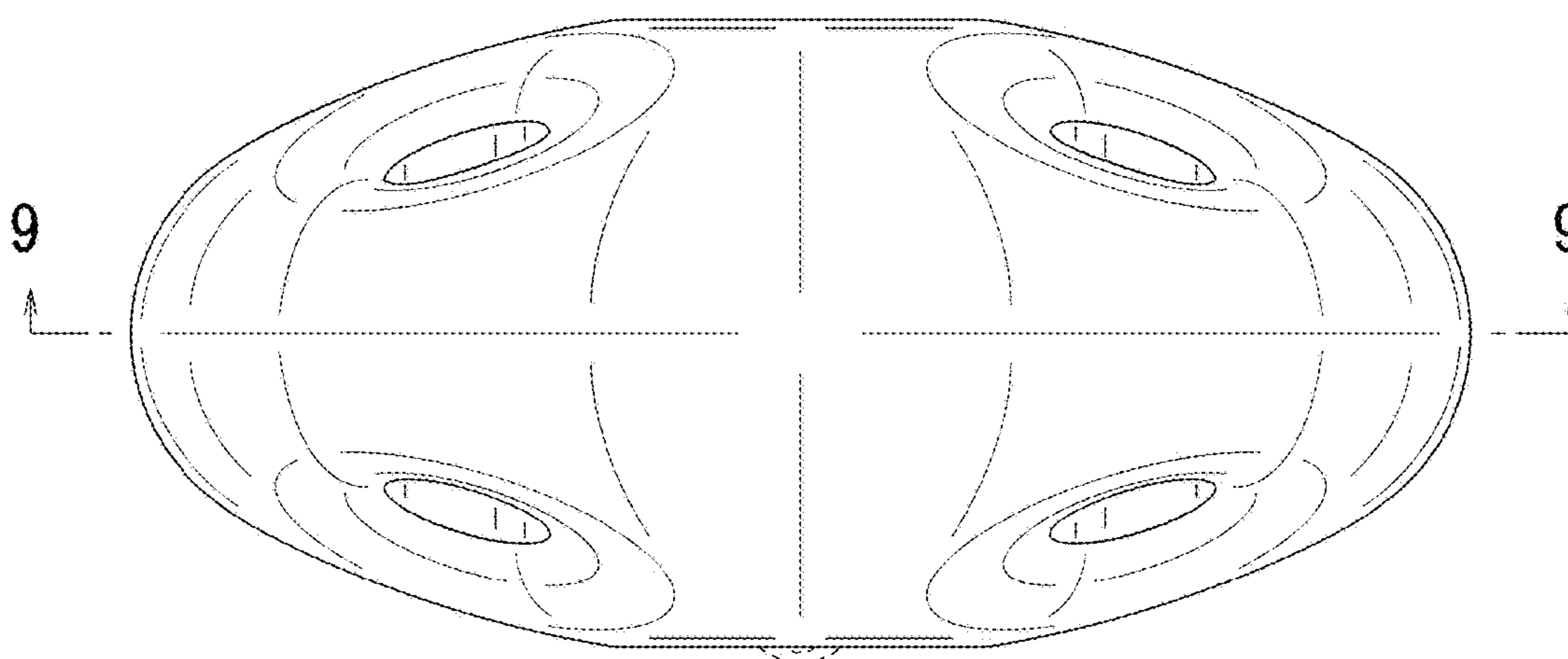


FIG. 4

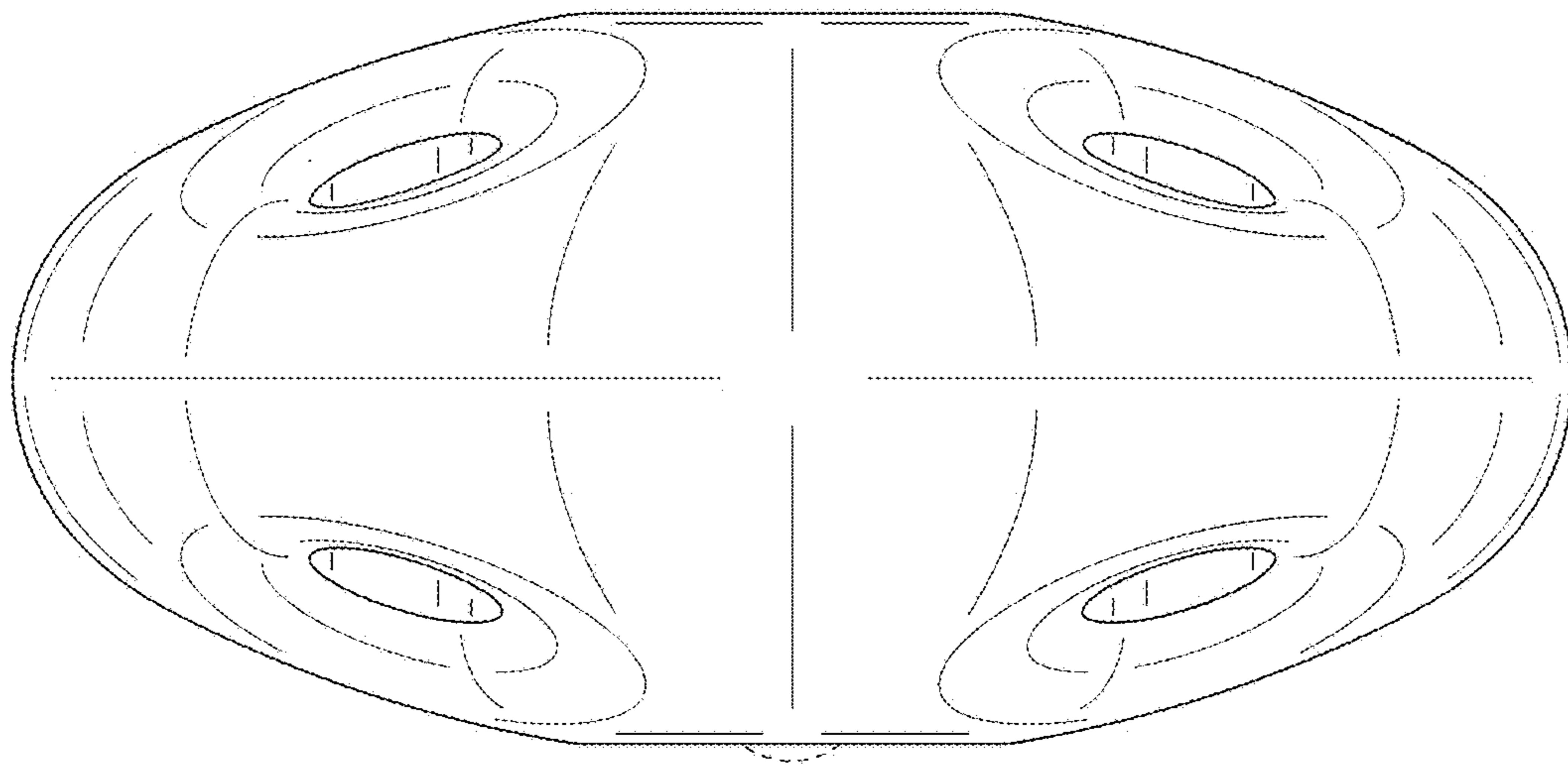


FIG. 5

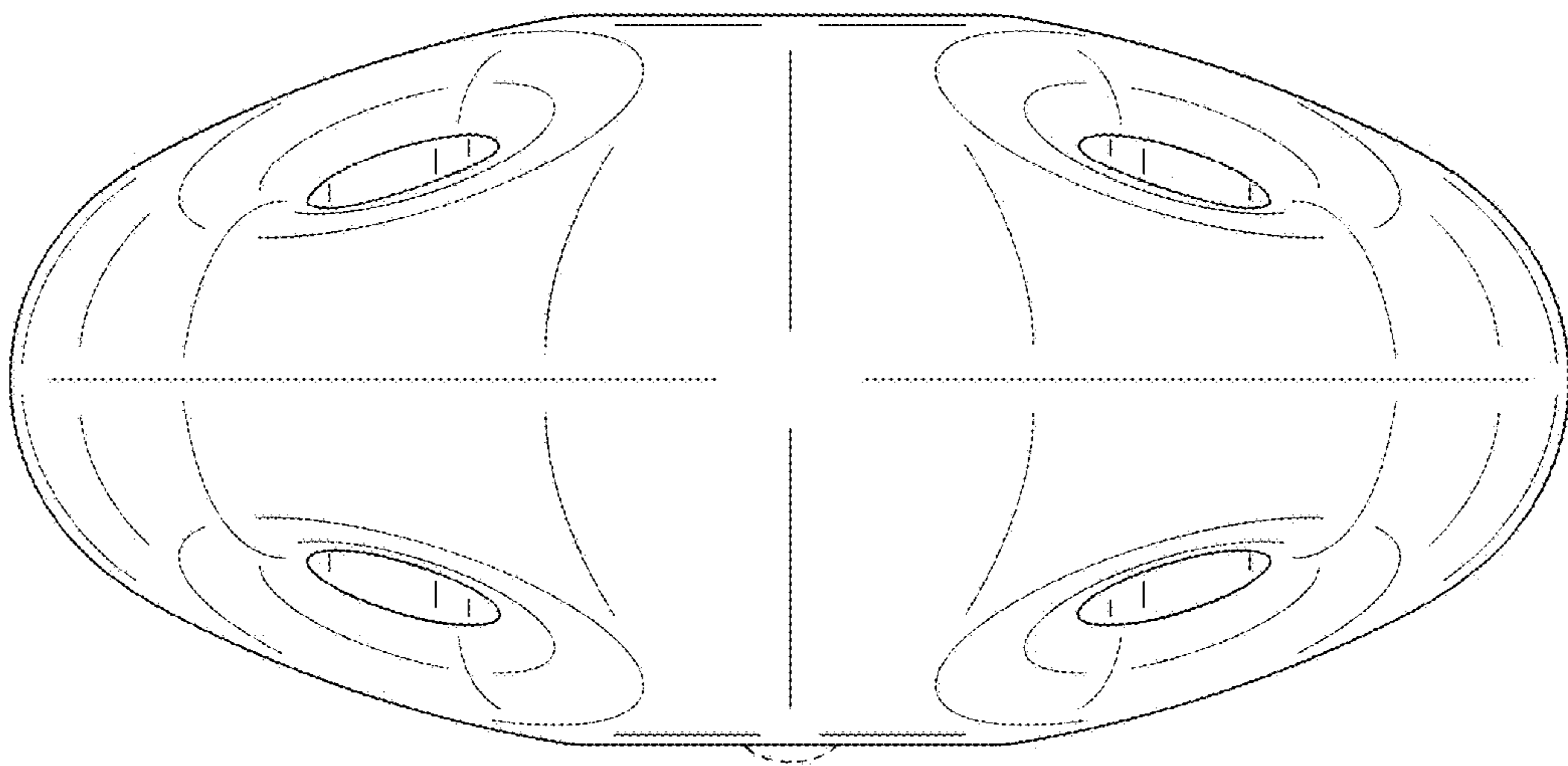


FIG. 6

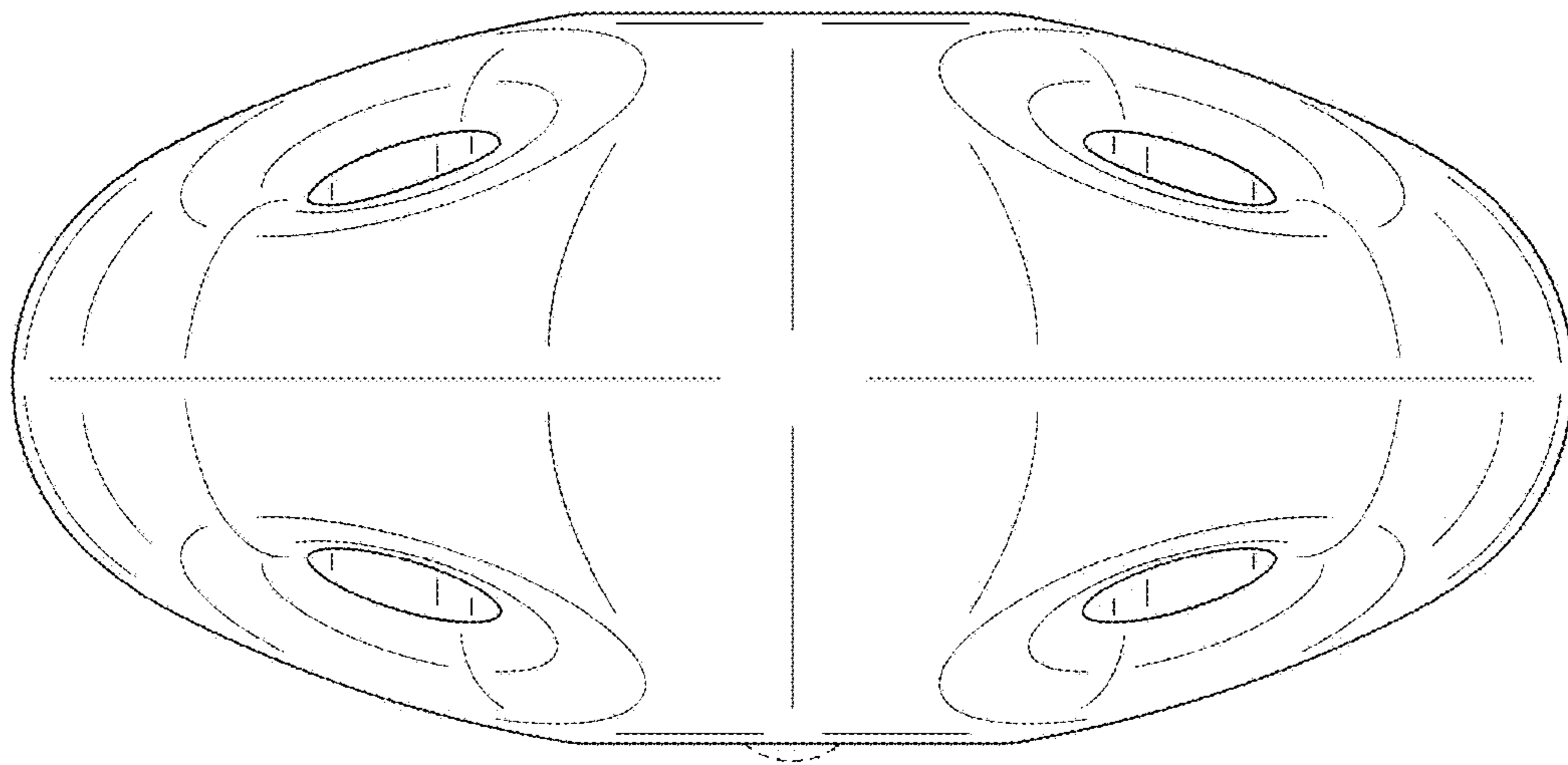


FIG. 7

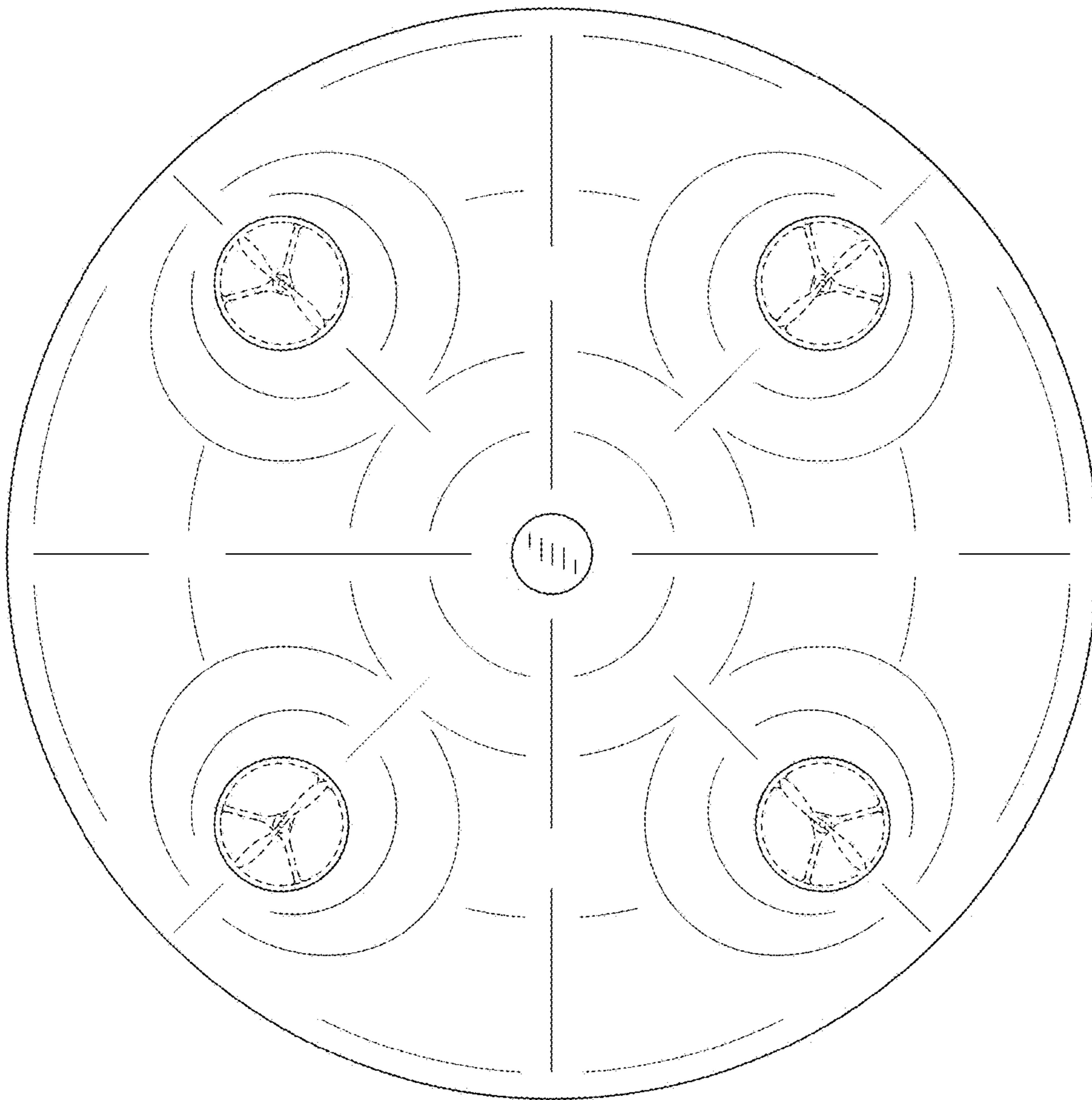


FIG. 8

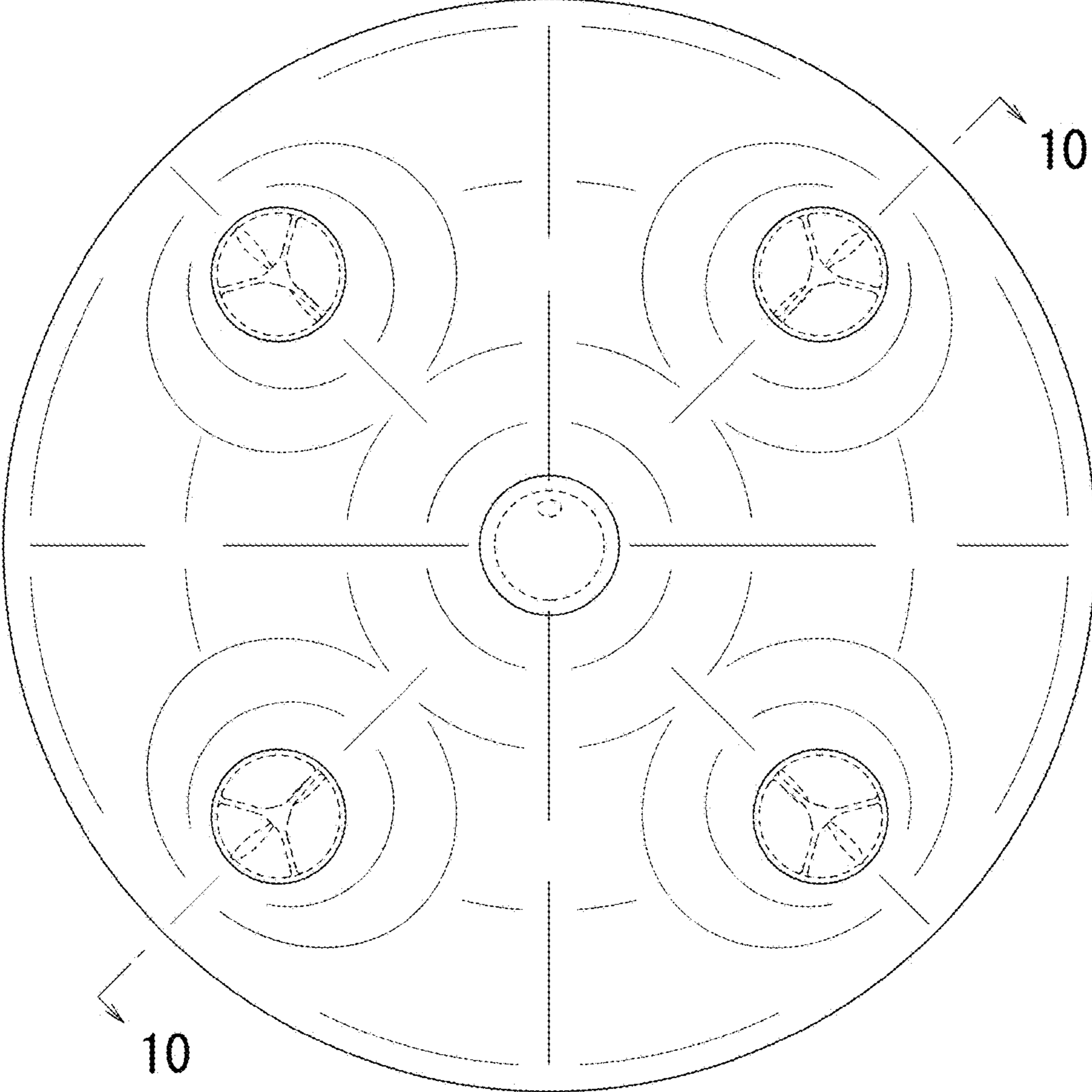


FIG. 9

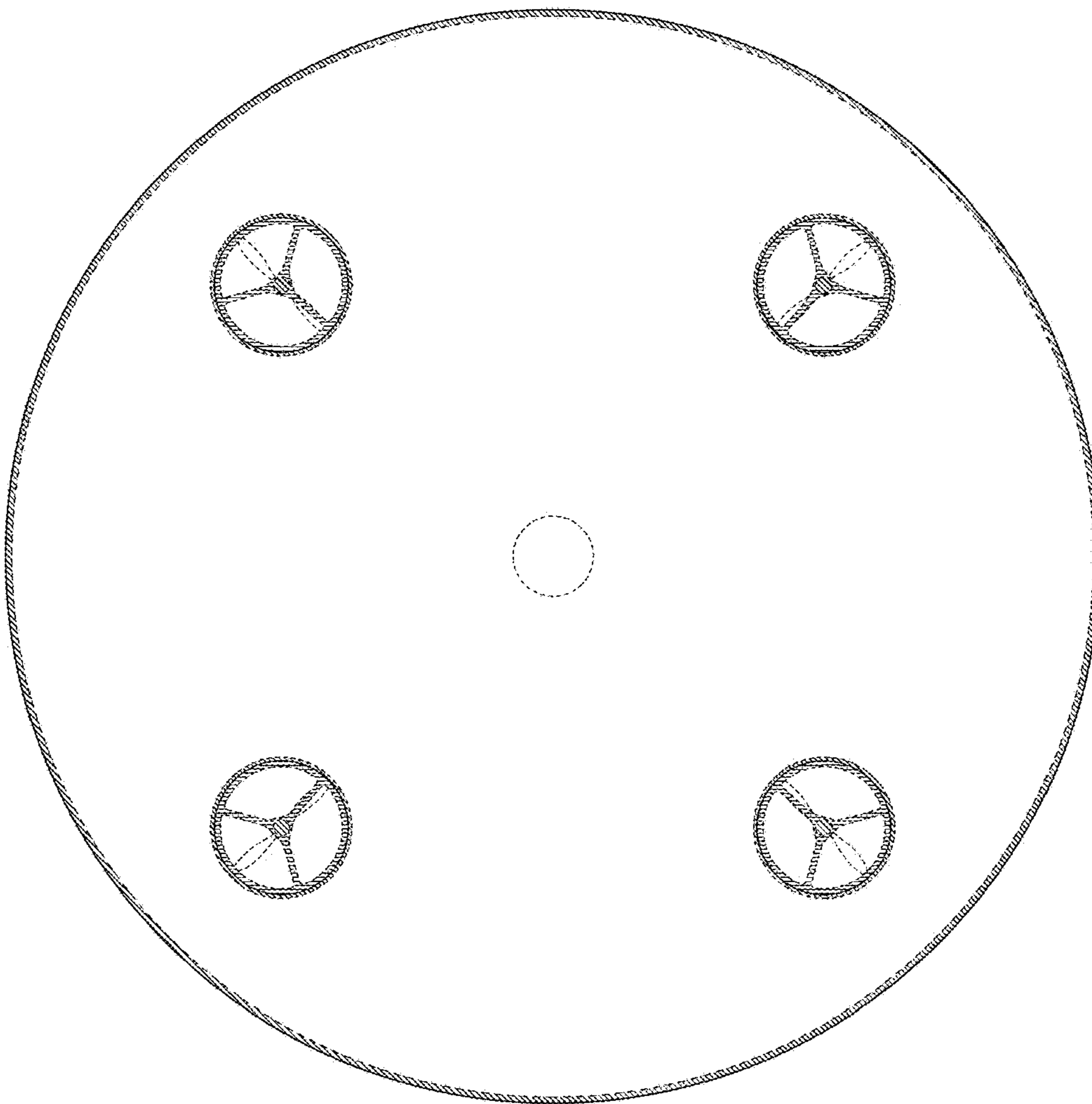


FIG. 10

