



US00D834082S

(12) **United States Design Patent**
Bordegnoni et al.

(10) **Patent No.:** **US D834,082 S**

(45) **Date of Patent:** **** Nov. 20, 2018**

(54) **ROBOT**

(71) Applicant: **COMAU S.P.A.**, Grugliasco (IT)

(72) Inventors: **Stefano Bordegnoni**, Grugliasco (IT);
Francesco Ciniello, Grugliasco (IT);
Giuseppe Colombina, Grugliasco (IT)

(73) Assignee: **Comau S.p.A.**, Grugliasco (Turin) (IT)

(**) Term: **15 Years**

(21) Appl. No.: **35/501,030**

(22) Filed: **May 18, 2016**

(80) **Hague Agreement Data**

Int. Filing Date: **May 18, 2016**

Int. Reg. No.: **DM/090720**

Int. Reg. Date: **May 18, 2016**

Int. Reg. Pub. Date: **Jun. 3, 2016**

(51) **LOC (11) Cl.** **15-99**

(52) **U.S. Cl.**
USPC **D15/199**
CPC **B25J 9/044** (2013.01)

(58) **Field of Classification Search**
USPC D15/199; D21/578-583, 621, 622
CPC B25J 9/044; B25J 9/102; Y10T 74/20305
See application file for complete search history.

(56) **References Cited**

U.S. PATENT DOCUMENTS

D440,241 S * 4/2001 Kawahara D15/199
D443,287 S * 6/2001 Kawahara D15/199
D615,574 S * 5/2010 Liu D15/199
D616,477 S * 5/2010 Long D15/199

D624,104 S * 9/2010 Miyake 15/99
D629,030 S * 12/2010 Long D15/199
D638,043 S * 5/2011 Tsuchiya D15/199
D638,044 S * 5/2011 Ikoma D15/199
D650,820 S * 12/2011 Long D15/199
D670,319 S * 11/2012 Liu D15/199
D681,708 S * 5/2013 Miyake D15/199
D713,436 S * 9/2014 Liu D15/199
D769,343 S * 10/2016 Bordegnoni D15/199
D769,954 S * 10/2016 Kinoshita D15/199
D774,578 S * 12/2016 Yamamoto D15/199
D774,579 S * 12/2016 Oda D15/199
D774,580 S * 12/2016 Oda D15/199
D776,735 S * 1/2017 Zhu D15/199
D782,553 S * 3/2017 Goto D15/199
D785,688 S * 5/2017 Matsuda D15/199
D790,618 S * 6/2017 Ke D15/199
D792,495 S * 7/2017 Matsuda D15/199
D792,917 S * 7/2017 Fischer D15/199

* cited by examiner

Primary Examiner — Richard E Chilcot

(74) *Attorney, Agent, or Firm* — Young Basile Hanlon & MacFarlane, P.C.

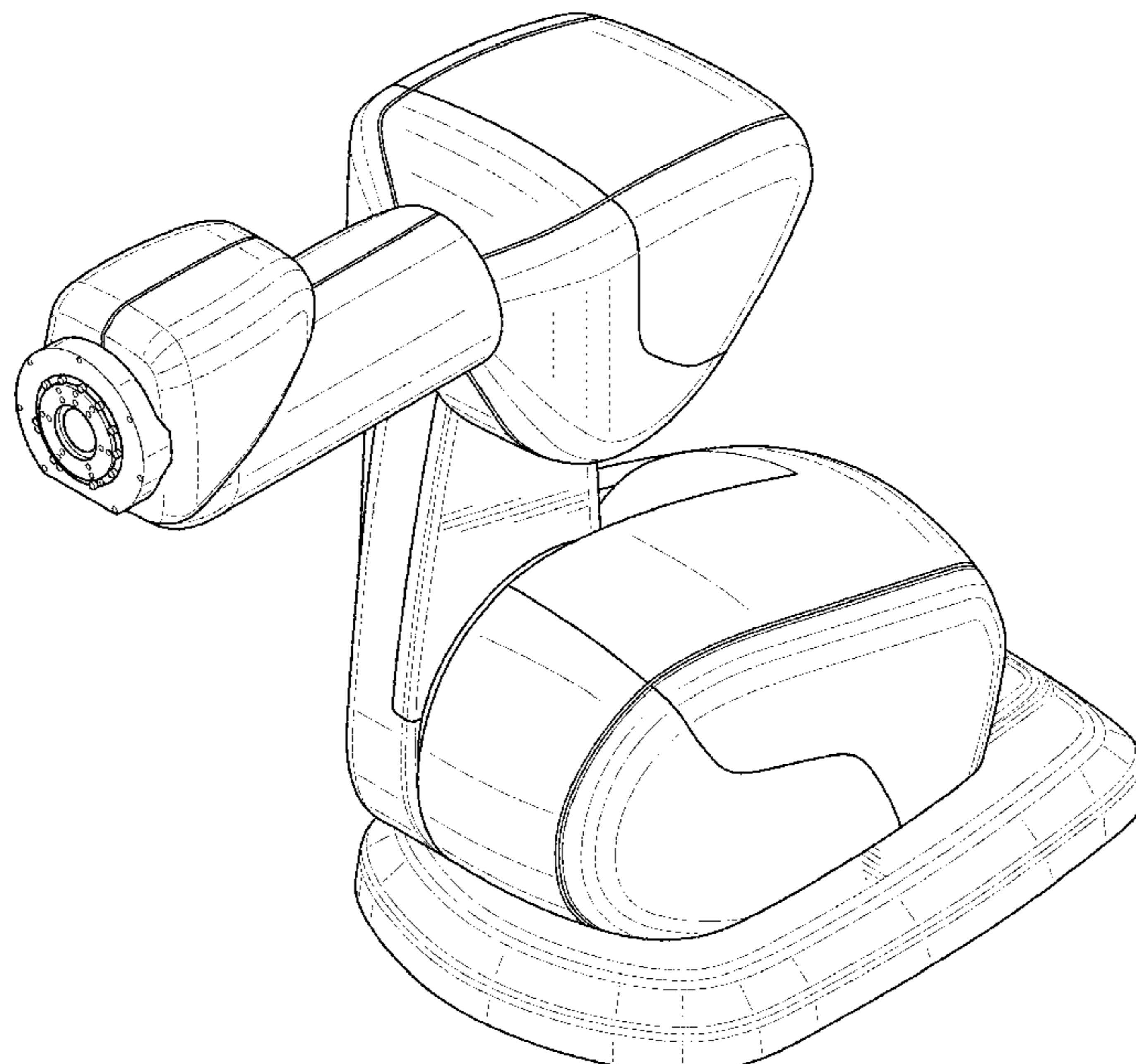
(57) **CLAIM**

The ornamental design for a robot, as shown and described.

DESCRIPTION

FIG. 3.1 is a rear perspective view;
FIG. 3.2 is an alternate front perspective view;
FIG. 3.3 is a front view;
FIG. 3.4 is a right side view;
FIG. 3.5 is a left side view;
FIG. 3.6 is a rear view;
FIG. 3.7 is a top view; and
FIG. 3.8 is a bottom view.
Radius lines show contour and not surface ornamentation.

1 Claim, 8 Drawing Sheets



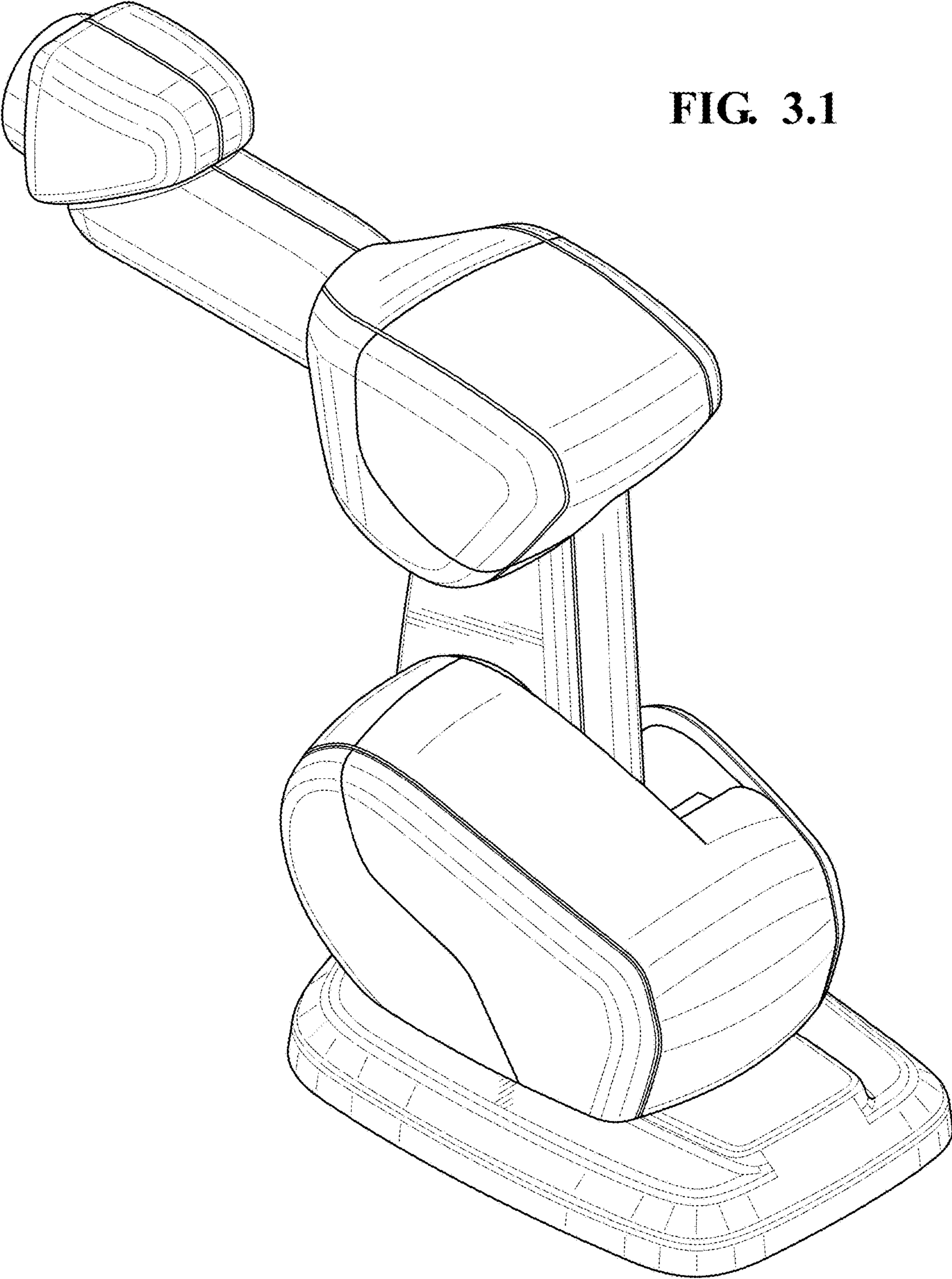
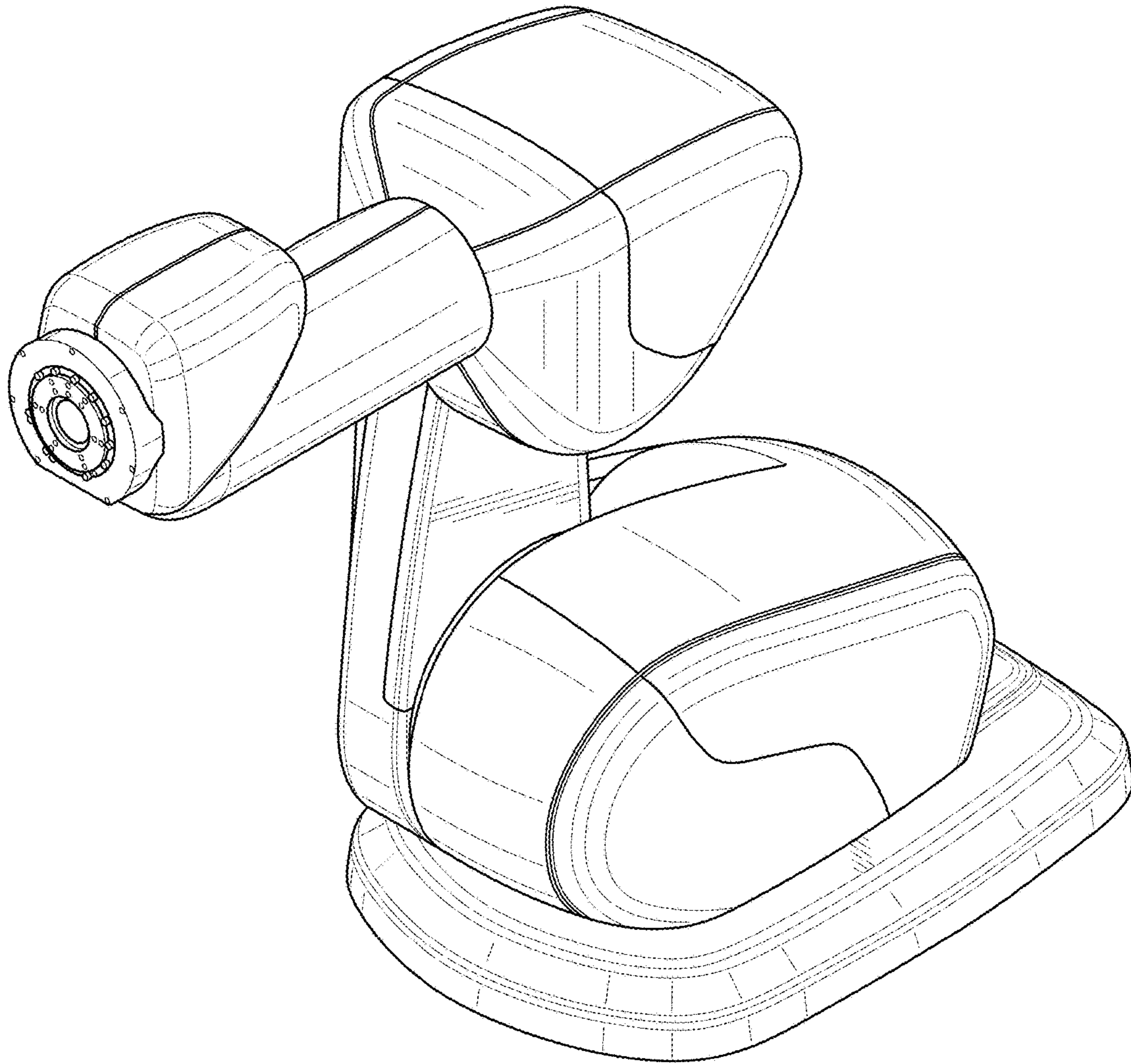


FIG. 3.1

FIG. 3.2



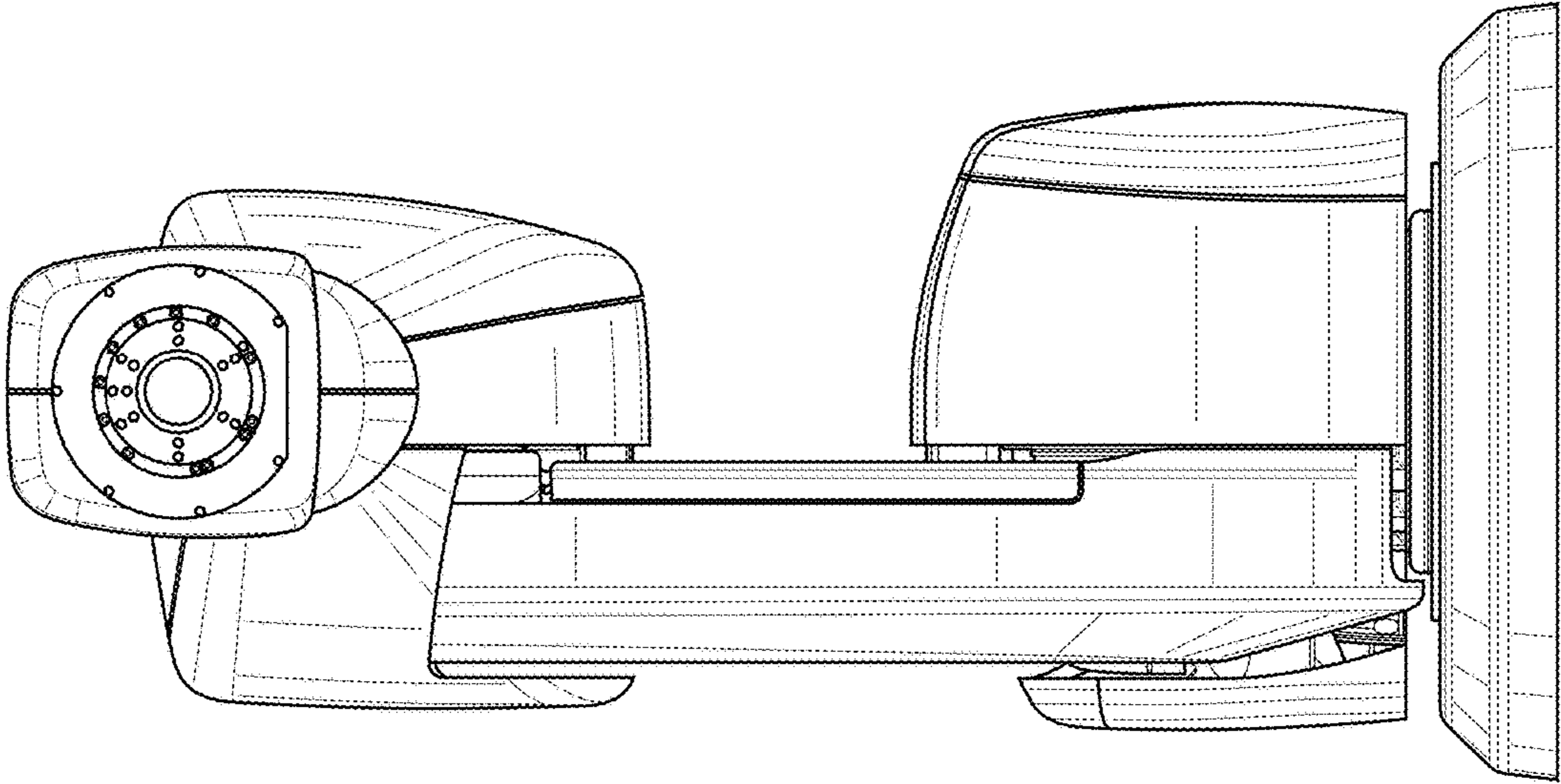
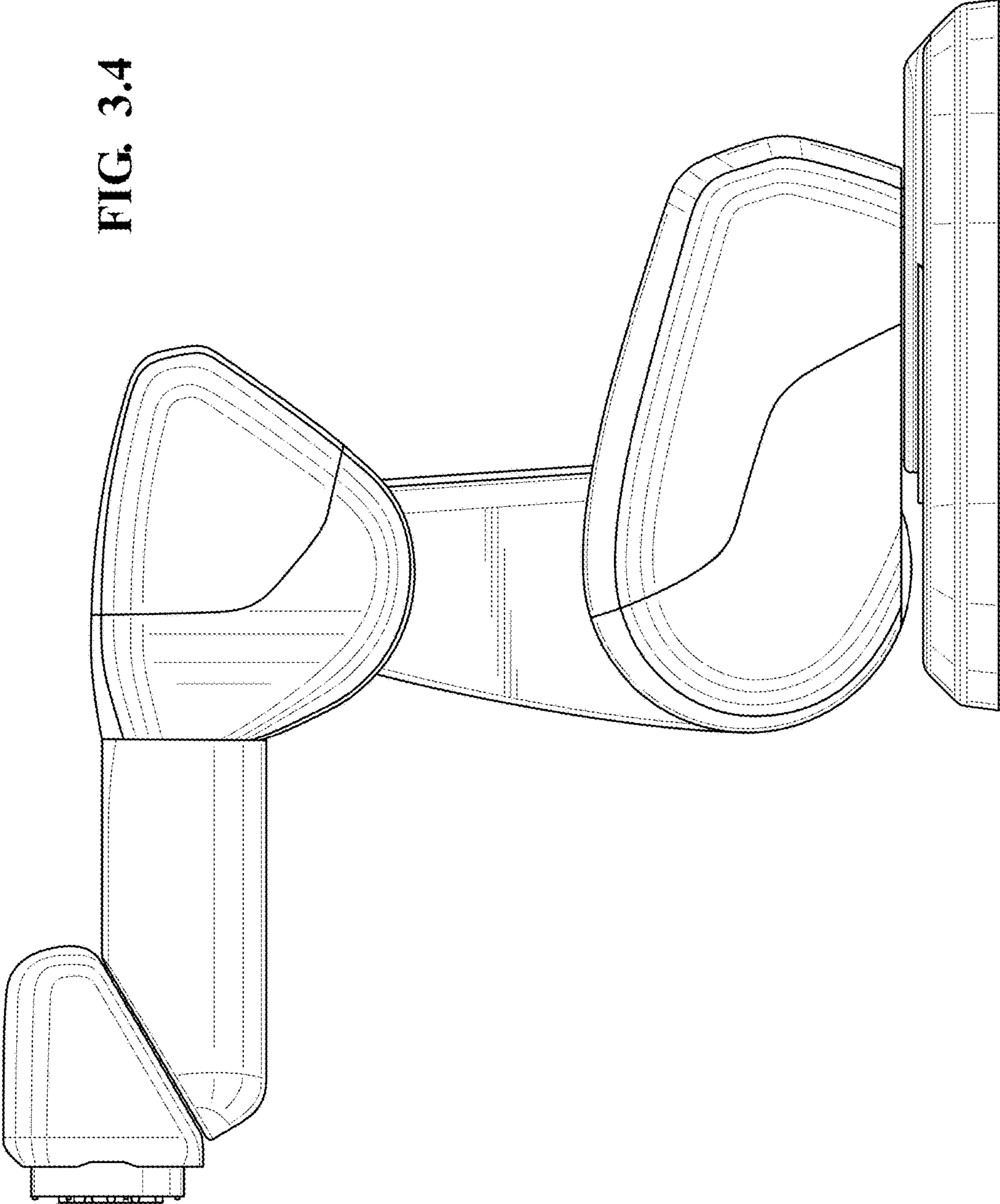


FIG. 3.3

FIG. 3.4



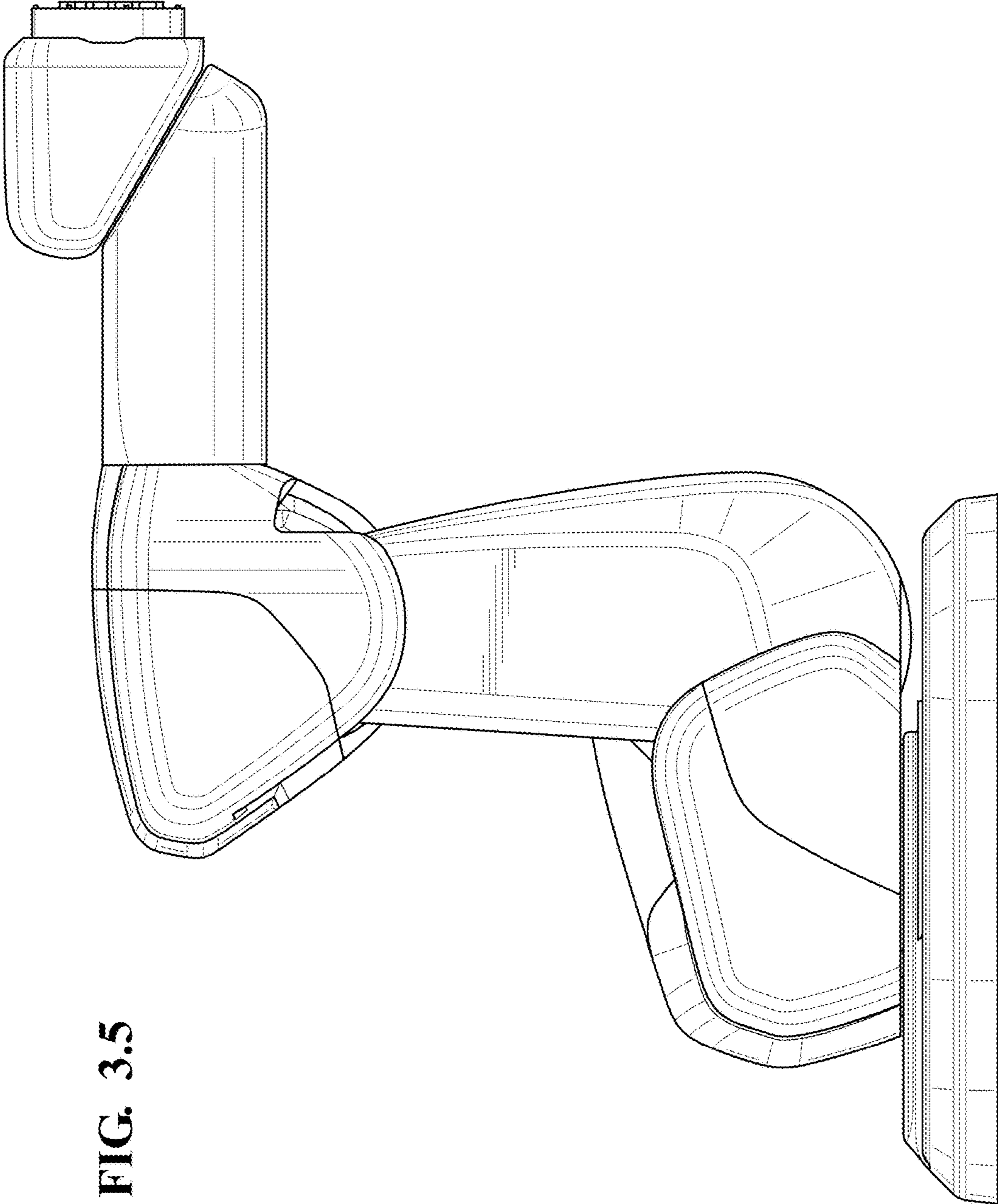


FIG. 3.5

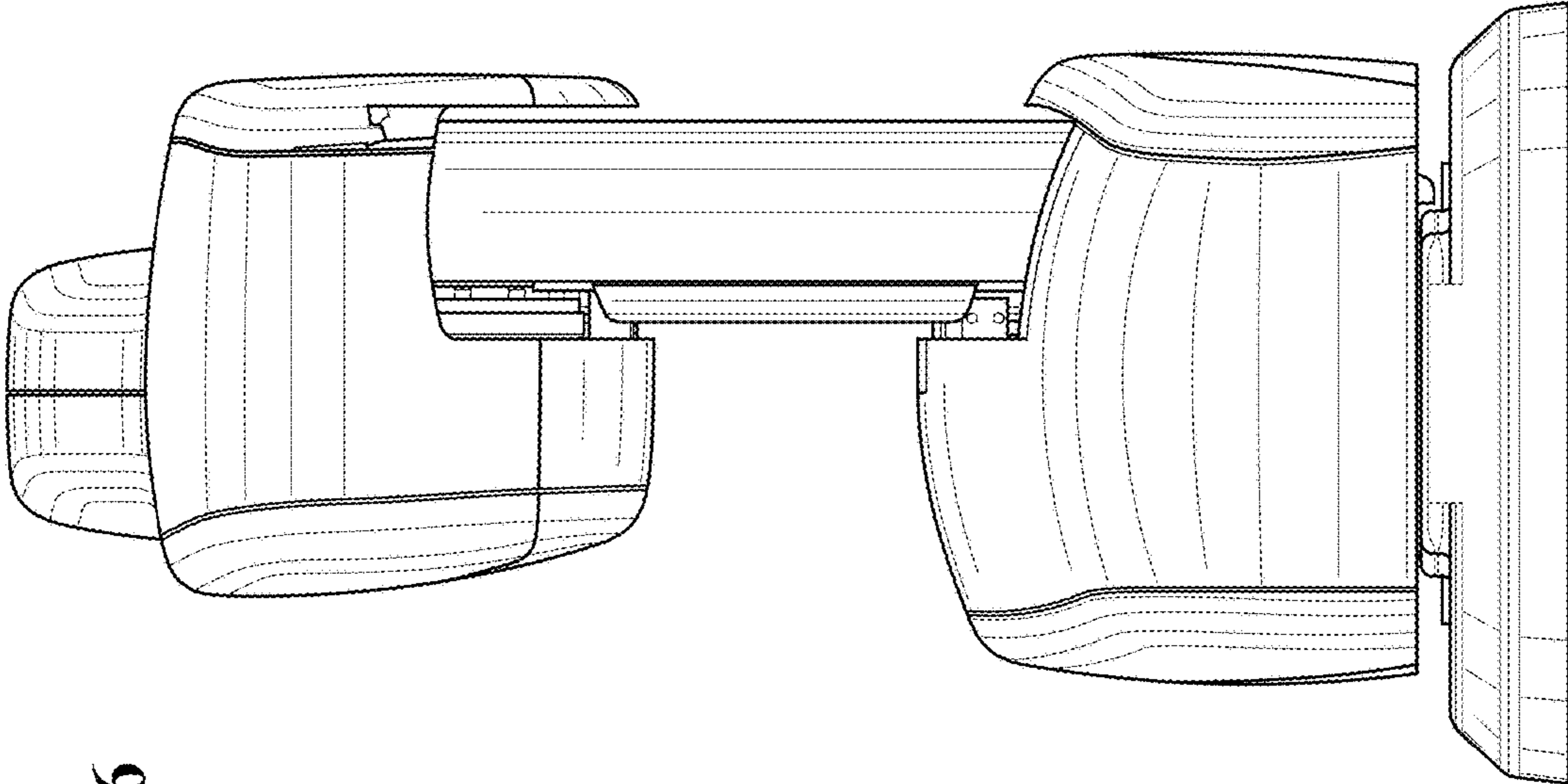


FIG. 3.6

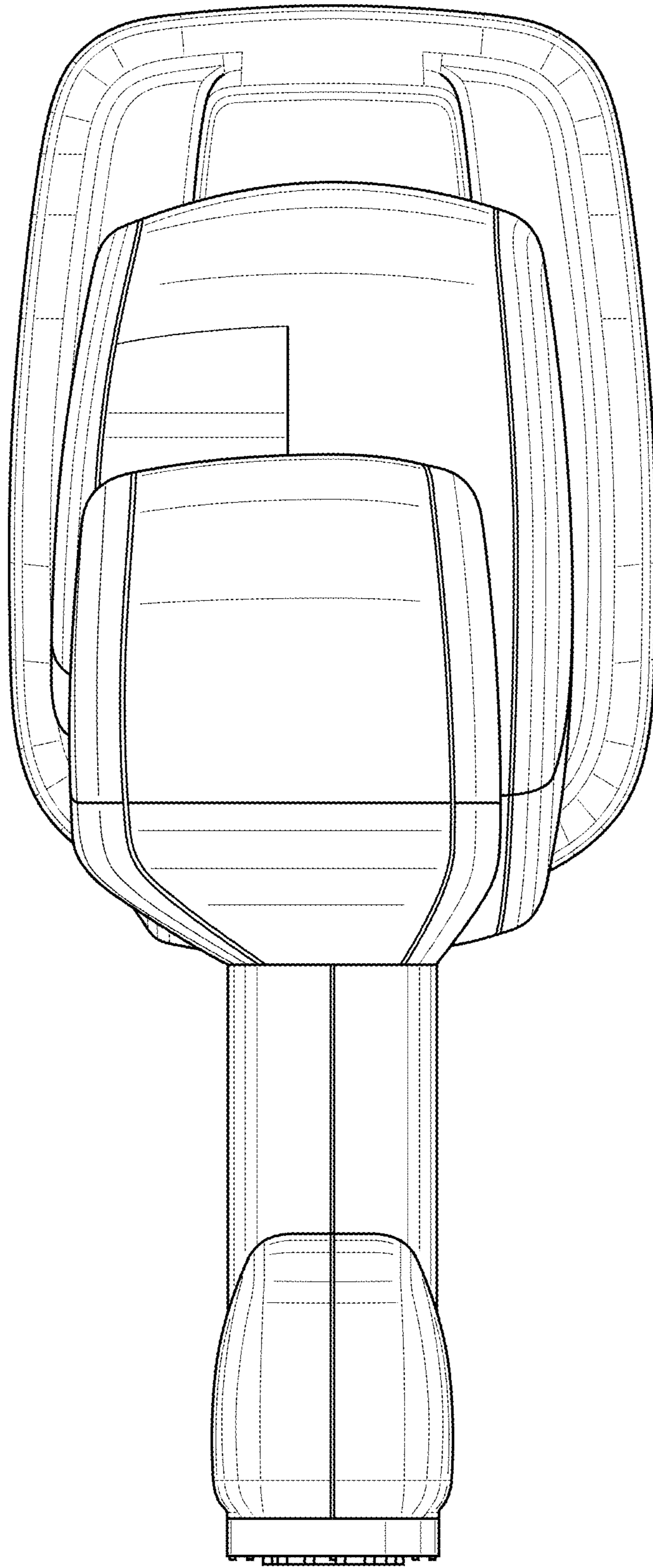


FIG. 3.7

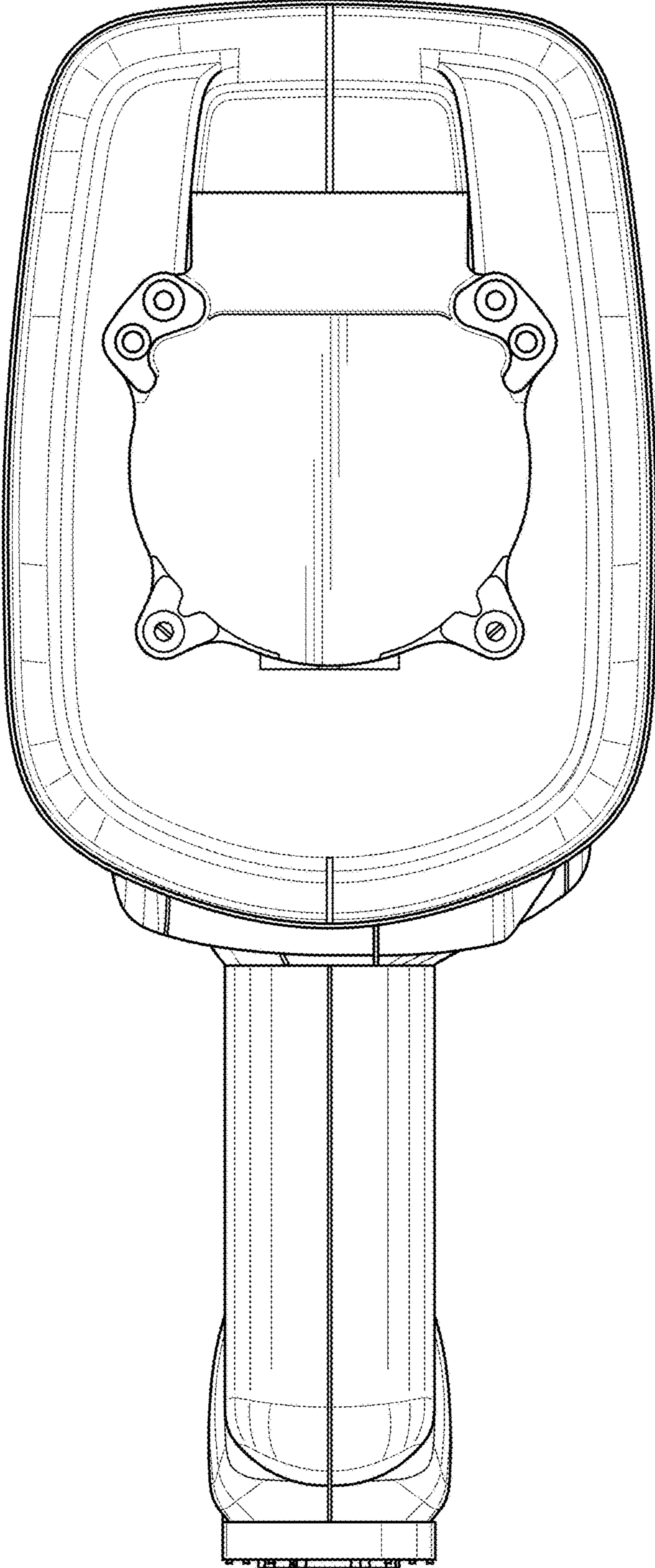


FIG. 3.8