



US00D834079S

(12) **United States Design Patent** (10) **Patent No.:** **US D834,079 S**  
**Cash et al.** (45) **Date of Patent:** **\*\* Nov. 20, 2018**

(54) **HEAT PUMP DISPENSER**  
(71) Applicant: **RPM Wood Finishes Group, Inc.**,  
Hickory, NC (US)  
(72) Inventors: **Steve Cash**, Matthews, NC (US); **Colin Campbell**, Charlotte, NC (US); **Marc Vitantonio**, South Russell, OH (US); **Robert Vystreil**, Garrettsville, OH (US); **Trevor Jackson**, Kirtland, OH (US); **Chris deHaas**, Madison, OH (US); **Robert Soreo**, Cleveland Heights, OH (US)

D499,123 S \* 11/2004 Rakowski ..... D15/144  
D514,606 S \* 2/2006 Picaza ..... D15/144.2  
D519,800 S \* 5/2006 Glover ..... D8/29.1  
D587,975 S \* 3/2009 Aronson, II ..... D15/144  
D625,746 S \* 10/2010 Roberts ..... D15/144  
D683,774 S \* 6/2013 Leiteritz ..... D15/144.2  
D698,378 S \* 1/2014 Leiteritz ..... D15/144.2  
D703,250 S \* 4/2014 McKinley ..... D15/144.2  
D703,251 S \* 4/2014 Raboin ..... D15/144.2  
D793,193 S \* 8/2017 Lee ..... D8/30  
D803,649 S \* 11/2017 van der Rest ..... D8/68  
D805,567 S \* 12/2017 Kita ..... D15/144.2  
2003/0203331 A1\* 10/2003 Hsu ..... F23D 14/40  
431/153  
2008/0160471 A1\* 7/2008 Lin ..... F23D 14/28  
431/344

(73) Assignee: **RPM Wood Finishes Group, Inc.**,  
Hickory, NC (US)

\* cited by examiner

(\*\*) Term: **15 Years**

*Primary Examiner* — Ian Simmons

*Assistant Examiner* — Khawaja Anwar

(21) Appl. No.: **29/605,456**

(74) *Attorney, Agent, or Firm* — Rankin, Hill & Clark  
LLP

(22) Filed: **May 26, 2017**

(51) **LOC (11) Cl.** ..... **15-03**

(52) **U.S. Cl.**  
USPC ..... **D15/144**

(58) **Field of Classification Search**  
USPC ..... D15/144, 144.1, 144.2; D8/29.1, 29.2,  
D8/30; D22/108  
CPC ..... B23K 9/0953; B23K 9/0956; B23K 9/10;  
B23K 9/173; B23K 9/285; B23K 9/295;  
B23K 9/32  
See application file for complete search history.

(56) **References Cited**

U.S. PATENT DOCUMENTS

3,022,414 A \* 2/1962 Yoder ..... B23K 9/007  
219/127  
D416,920 S \* 11/1999 Chou ..... D15/144

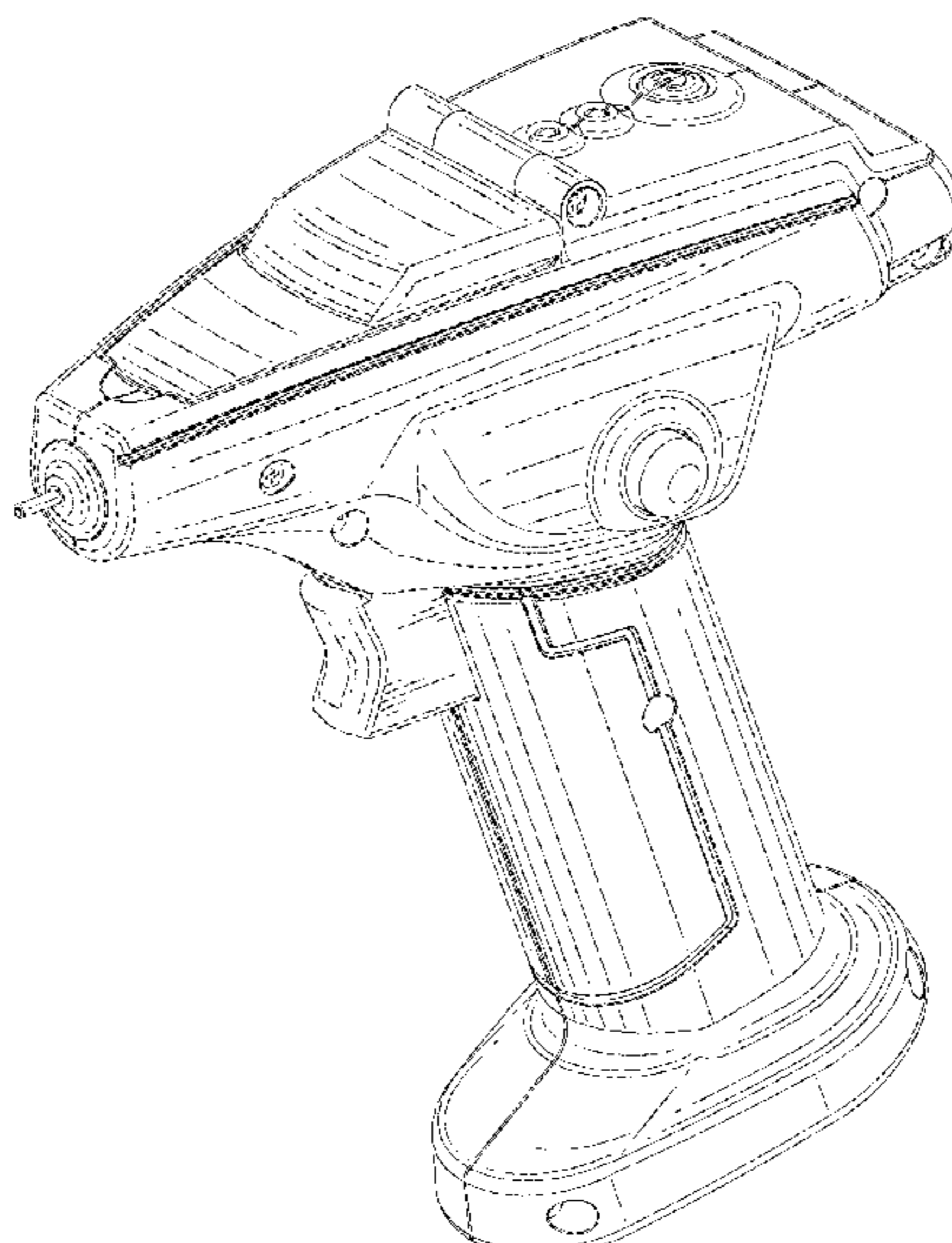
(57) **CLAIM**

The ornamental design for a heat pump dispenser, as shown and described.

**DESCRIPTION**

FIG. 1 is a perspective view of a heat pump dispenser; FIG. 2 is another perspective view thereof; FIG. 3 is a right side elevation view thereof; FIG. 4 is a left side elevation view thereof; FIG. 5 is a front elevation view thereof; FIG. 6 is a rear elevation view thereof; FIG. 7 is a top plan view thereof; and, FIG. 8 is a bottom plan view thereof. The broken lines in the drawings depict portions of the heat pump dispenser that form no part of the claimed design.

**1 Claim, 8 Drawing Sheets**



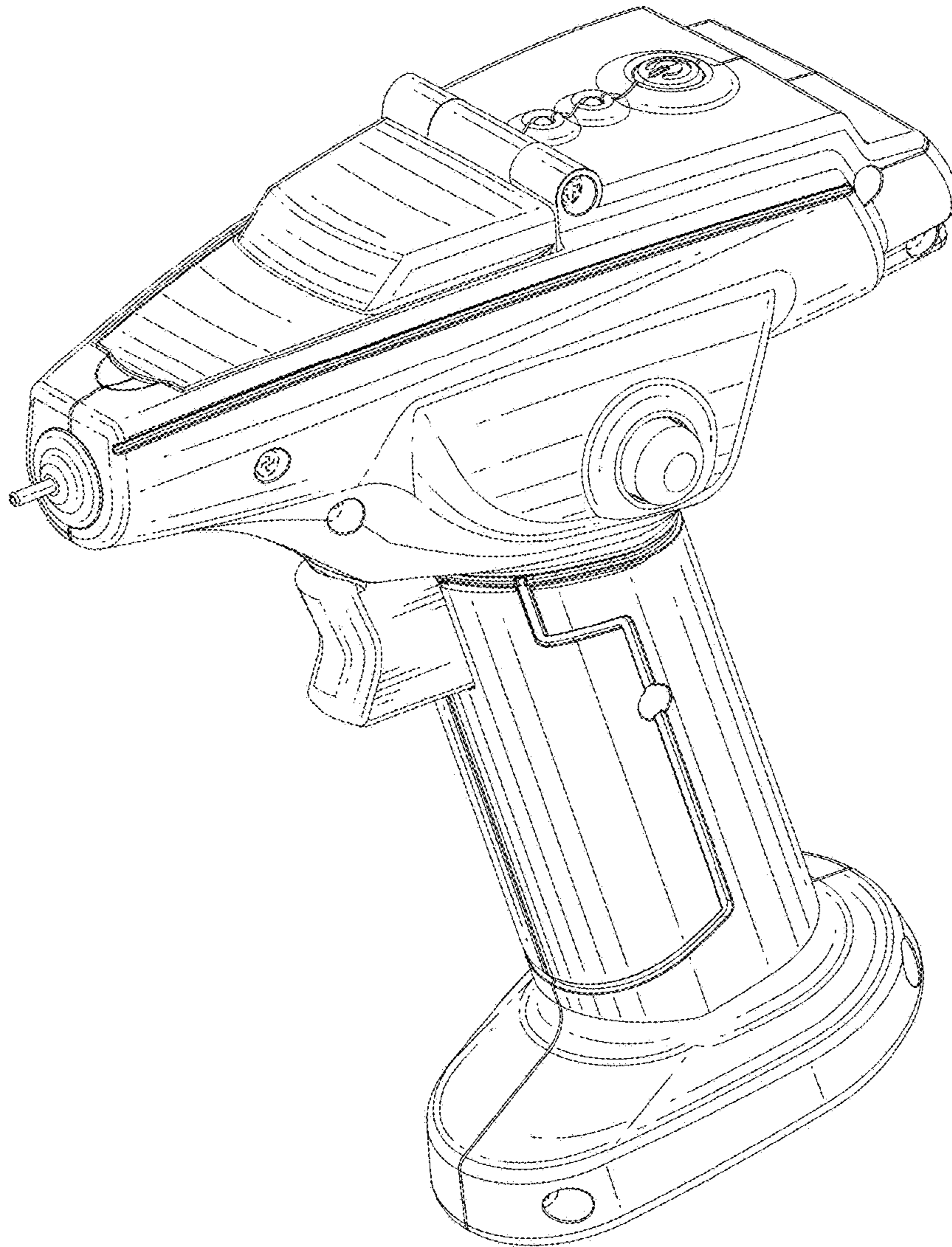


FIG. 1



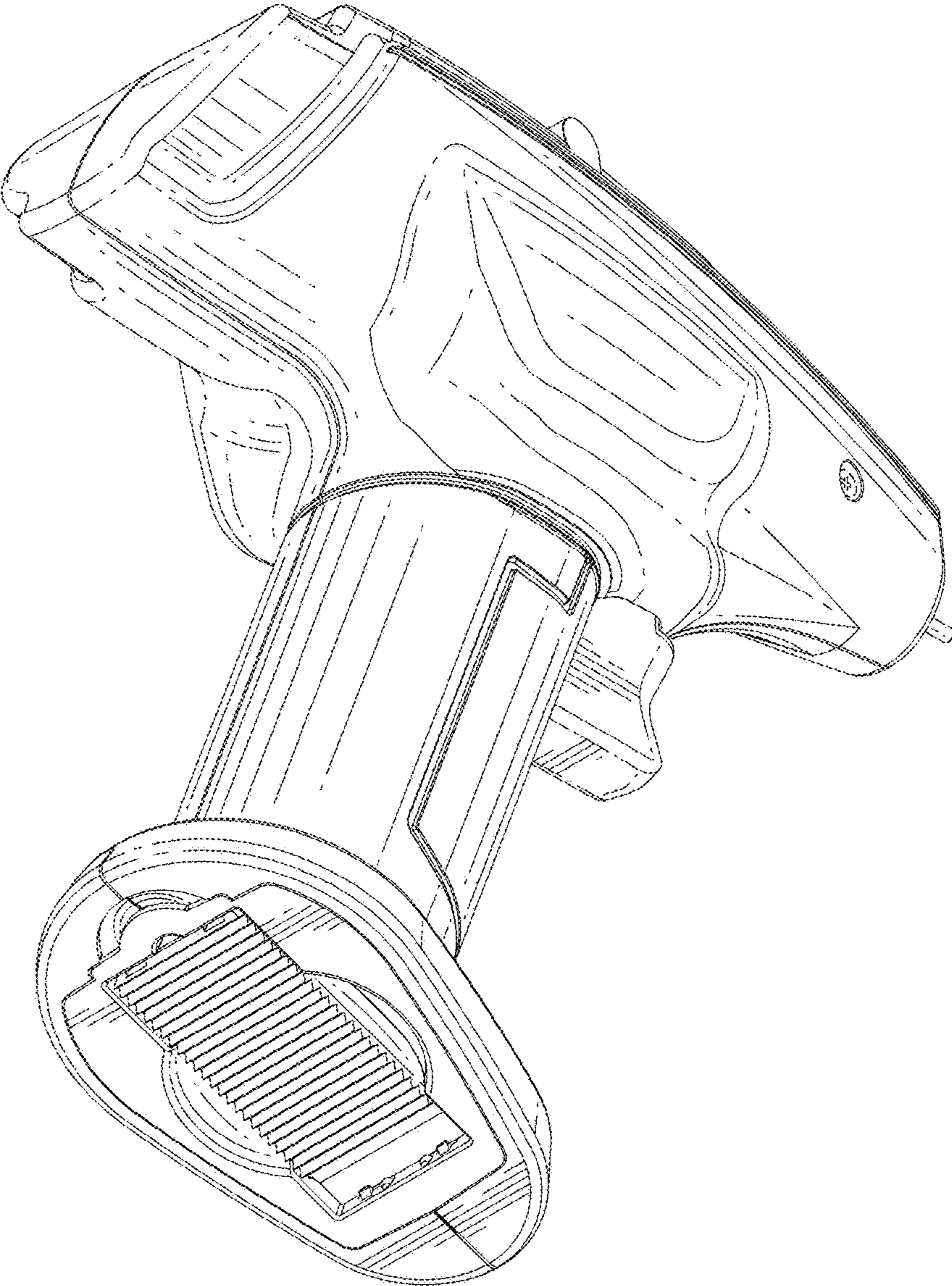


FIG.2

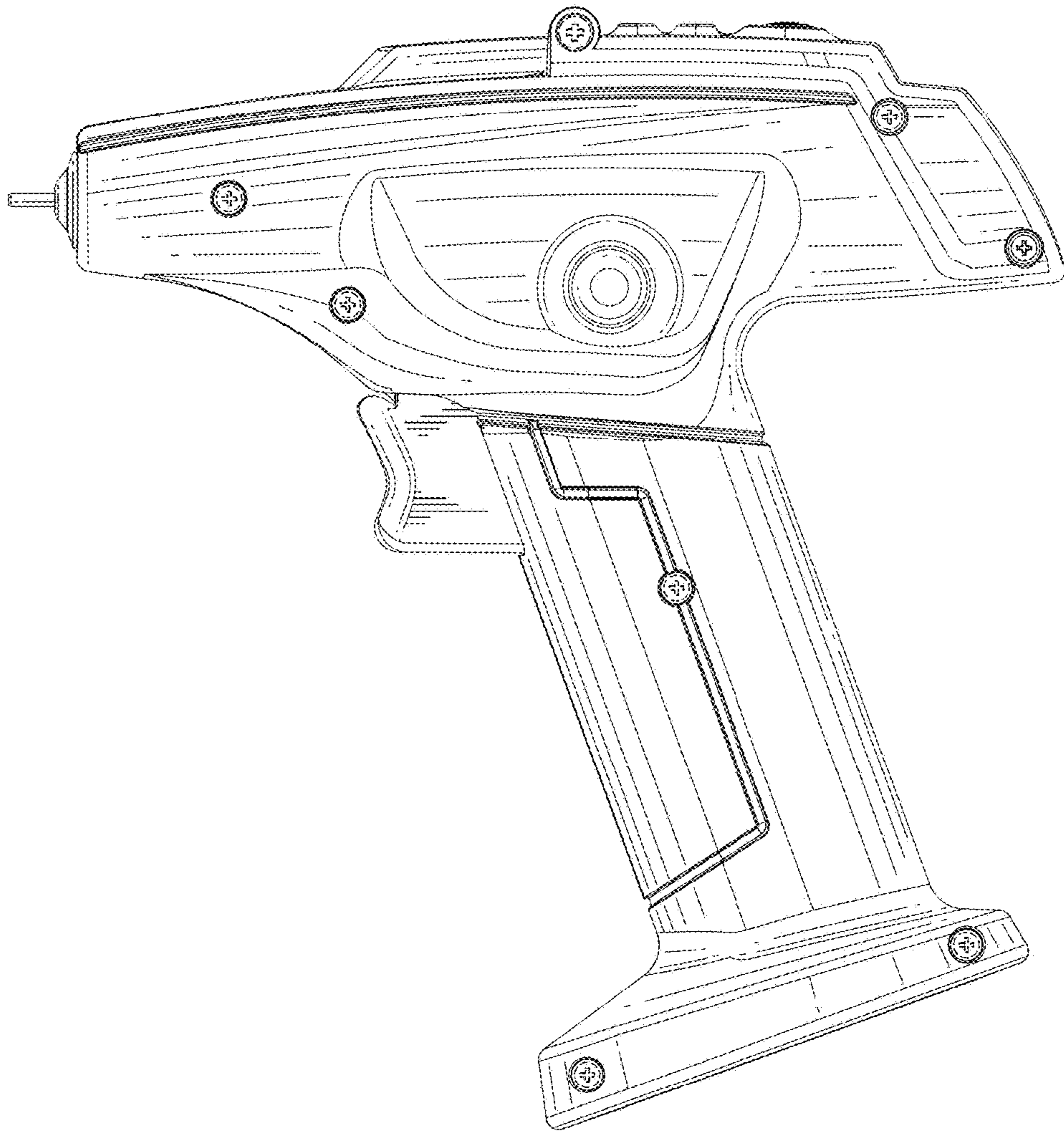


FIG.3

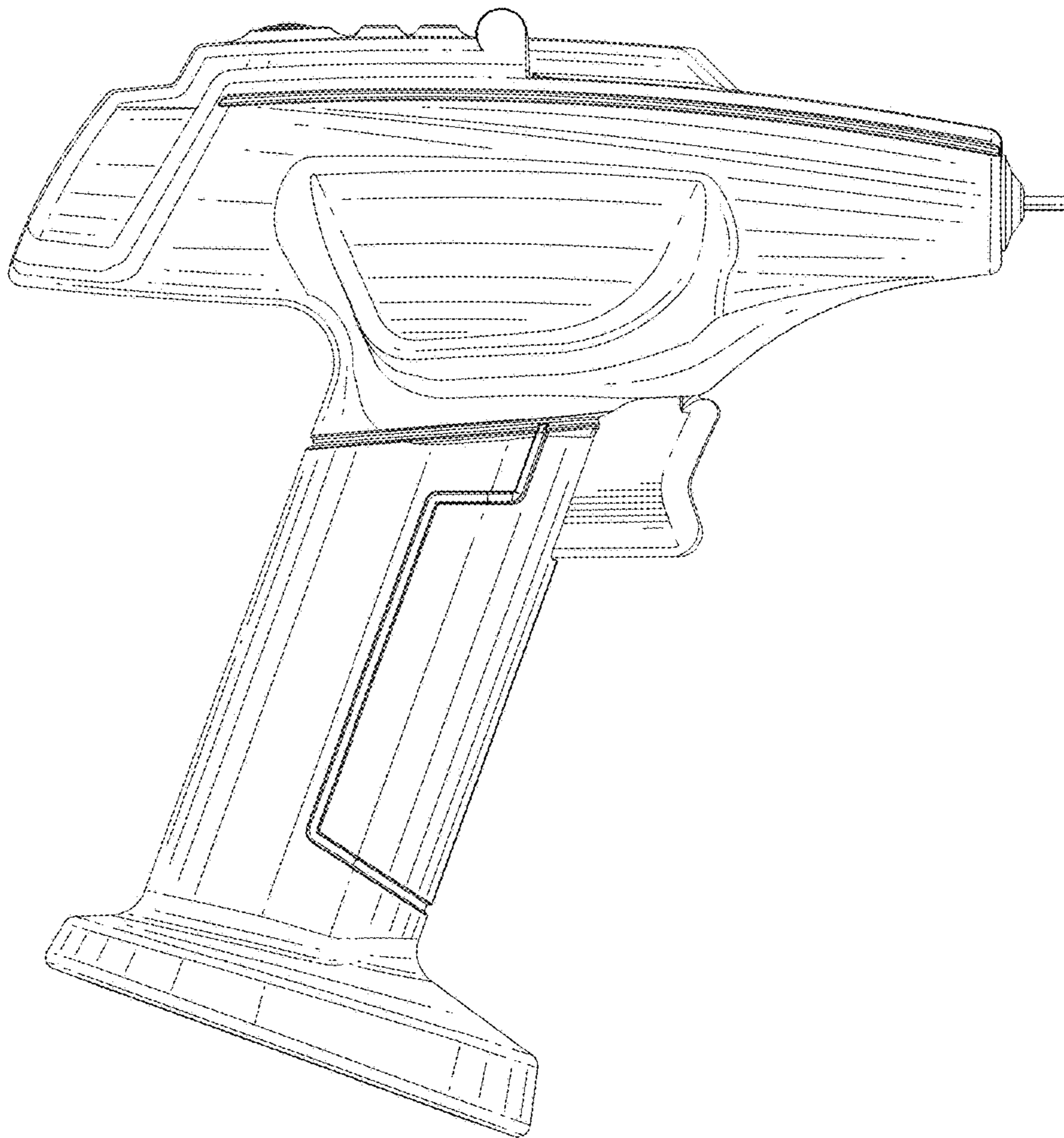


FIG.4

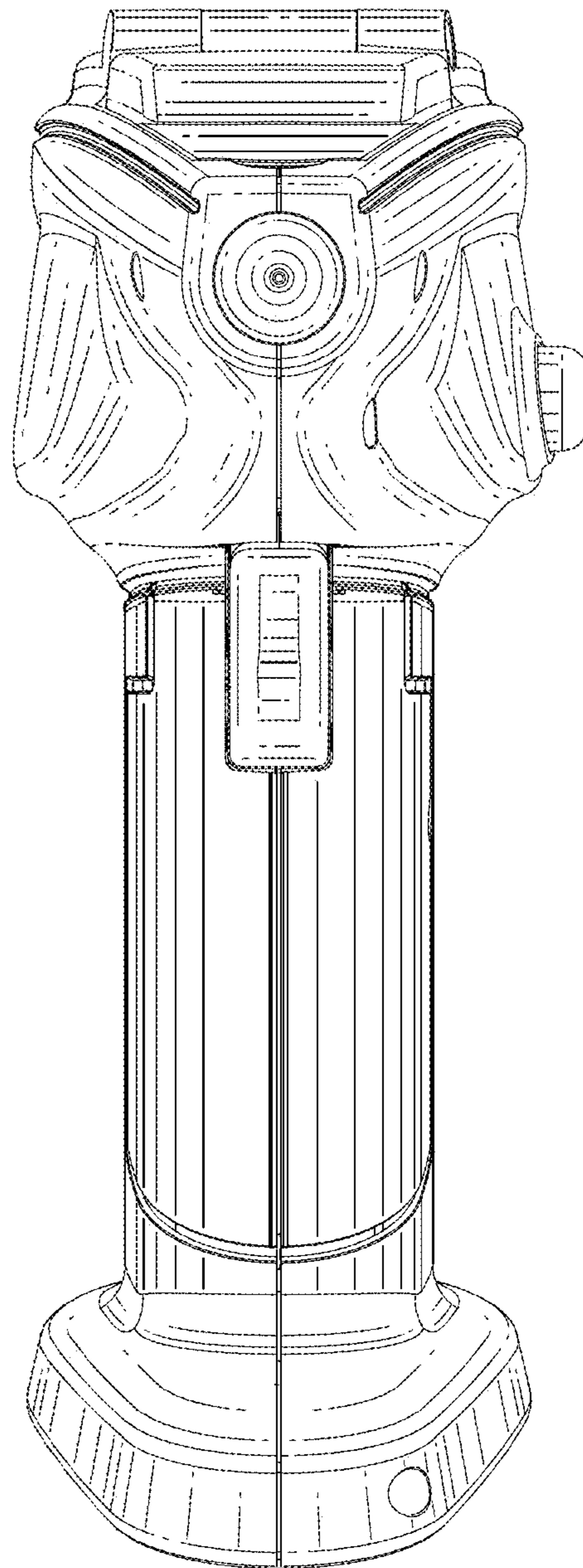


FIG. 5



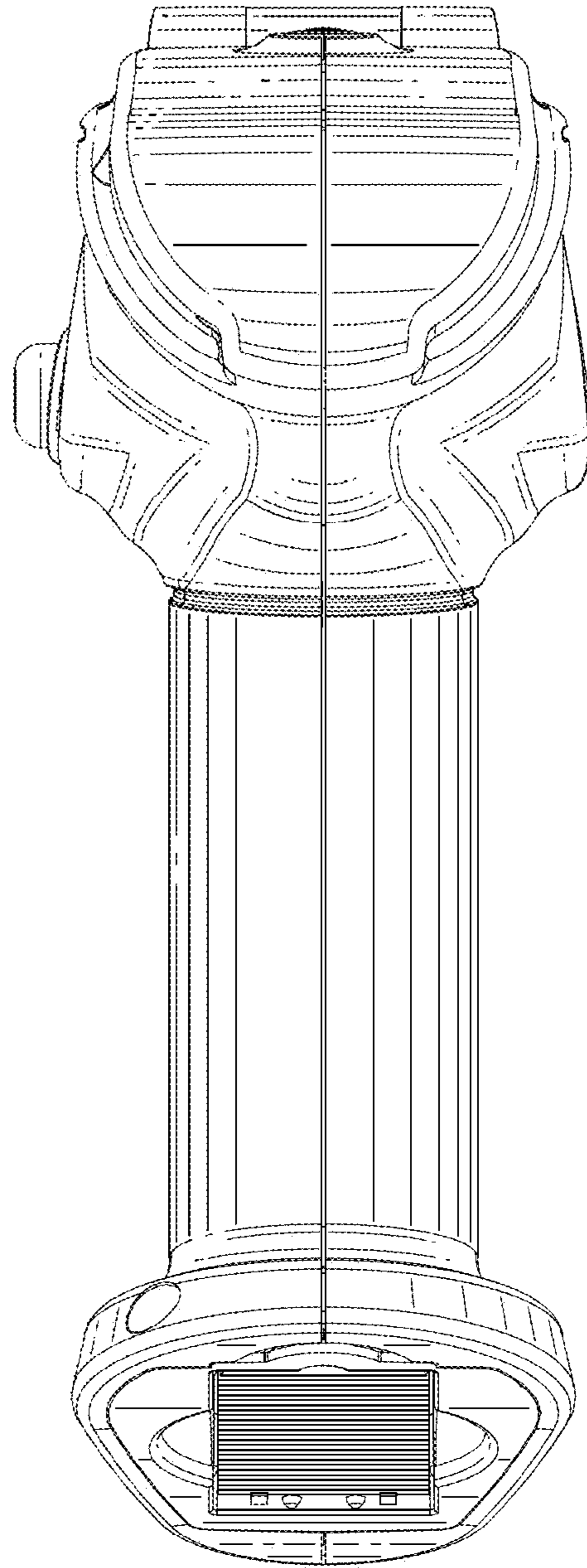


FIG. 6

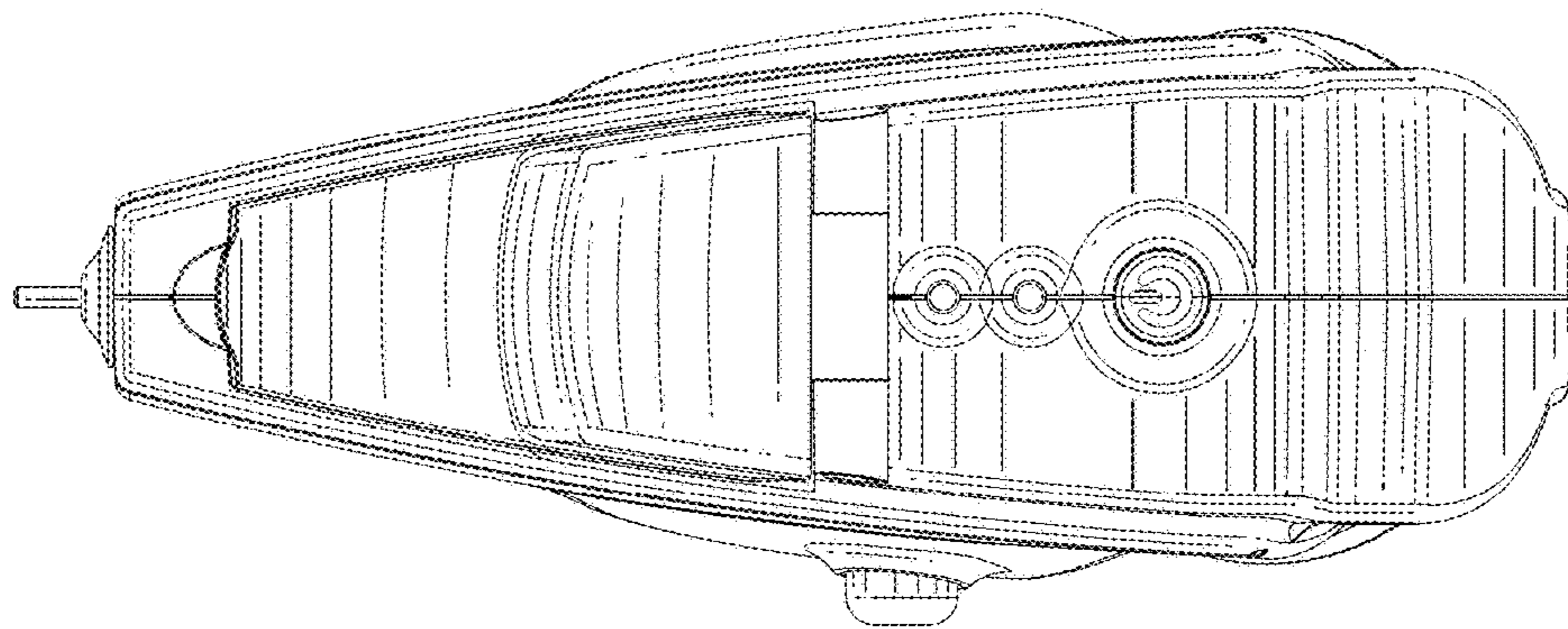


FIG. 7



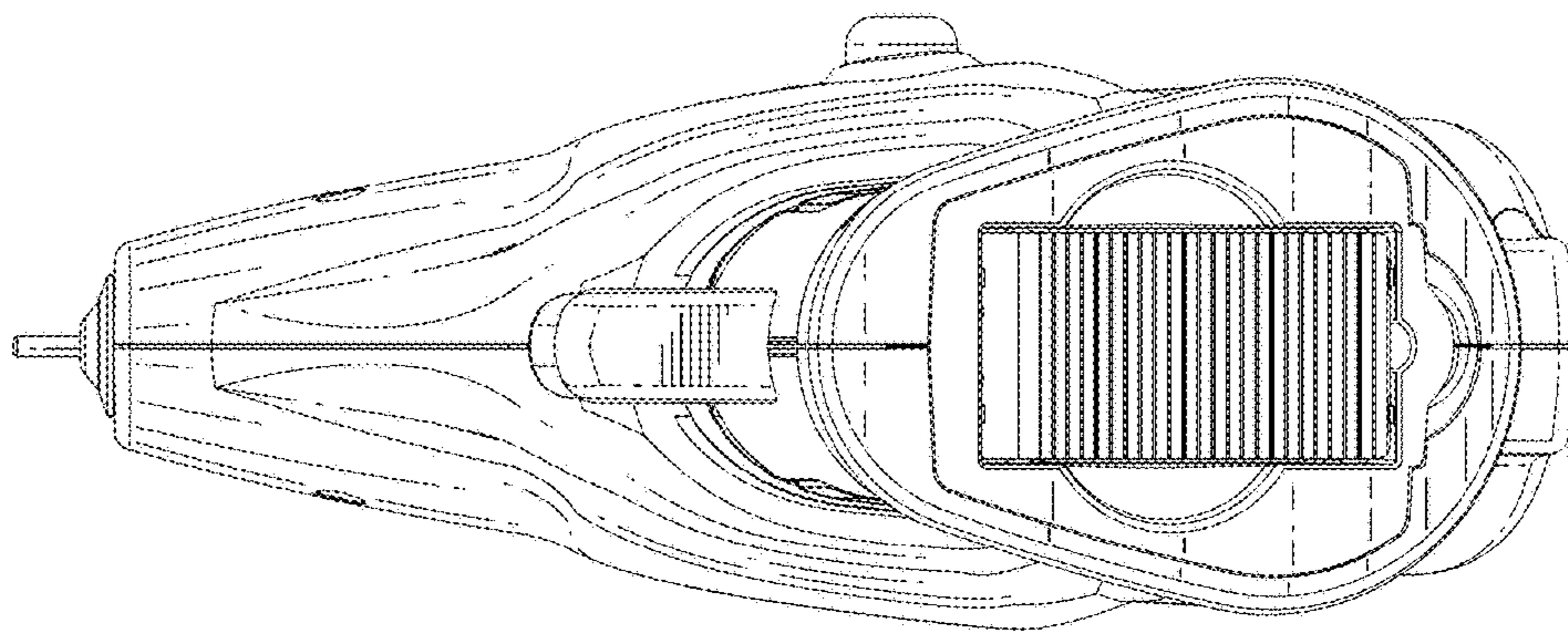


FIG.8