



US00D834075S

(12) **United States Design Patent**
Kamimura et al.

(10) **Patent No.:** **US D834,075 S**
(45) **Date of Patent:** **** Nov. 20, 2018**

(54) **PRESSING MEMBER FOR SUBSTRATE
POLISHING APPARATUS**

DESCRIPTION

(71) Applicant: **EBARA CORPORATION**, Tokyo (JP)

(72) Inventors: **Kenji Kamimura**, Tokyo (JP);
Masayuki Nakanishi, Tokyo (JP);
Satoru Yamamoto, Tokyo (JP);
Yasuyuki Miyasawa, Tokyo (JP); **Kenji
Kodera**, Tokyo (JP)

(73) Assignee: **EBARA CORPORATION**, Tokyo (JP)

(**) Term: **15 Years**

(21) Appl. No.: **29/592,889**

(22) Filed: **Feb. 3, 2017**

(30) **Foreign Application Priority Data**

Aug. 5, 2016 (JP) 2016-016852
Aug. 5, 2016 (JP) 2016-016853

(Continued)

(51) **LOC (11) Cl.** **15-09**

(52) **U.S. Cl.**
USPC **D15/126**

(58) **Field of Classification Search**
USPC D8/70, 71; D15/126, 138

(Continued)

(56) **References Cited**

U.S. PATENT DOCUMENTS

1,867,620 A * 7/1932 Forse D06F 71/36
38/16
3,867,797 A * 2/1975 Meier B24B 37/27
451/286

(Continued)

Primary Examiner — Patricia A Palasik

(74) *Attorney, Agent, or Firm* — Pearne & Gordon LLP

(57) **CLAIM**

The ornamental design for a pressing member for a substrate polishing apparatus, as shown and described.

FIG. 1 is a first perspective view, observed from a front of a first pressing member for a substrate polishing apparatus showing our new design;

FIG. 2 is a second perspective view, observed from a rear thereof;

FIG. 3 is a front view thereof;

FIG. 4 is a rear view thereof;

FIG. 5 is a top view thereof;

FIG. 6 is a bottom view thereof;

FIG. 7 is a right-side view thereof, a left-side view being a mirror image thereof;

FIG. 8 is a first perspective view, observed from a front of a second pressing member for a substrate polishing apparatus showing our new design;

FIG. 9 is a second perspective view, observed from a rear thereof;

FIG. 10 is a front view thereof;

FIG. 11 is a rear view thereof;

FIG. 12 is a top view thereof;

FIG. 13 is a bottom view thereof;

FIG. 14 is a right-side view thereof, a left-side view being a mirror image thereof;

FIG. 15 is a first perspective view, observed from a front of a third pressing member for a substrate polishing apparatus showing our new design;

FIG. 16 is a second perspective view, observed from a rear thereof;

FIG. 17 is a front view thereof;

FIG. 18 is a rear view thereof;

FIG. 19 is a top view thereof;

FIG. 20 is a bottom view thereof;

FIG. 21 is a right-side view thereof, a left-side view being a mirror image thereof;

FIG. 22 is a first perspective view, observed from a front of a fourth pressing member for a substrate polishing apparatus showing our new design;

FIG. 23 is a second perspective view, observed from a rear thereof;

FIG. 24 is a front view thereof;

FIG. 25 is a rear view thereof;

FIG. 26 is a top view thereof;

FIG. 27 is a bottom view thereof; and,

(Continued)

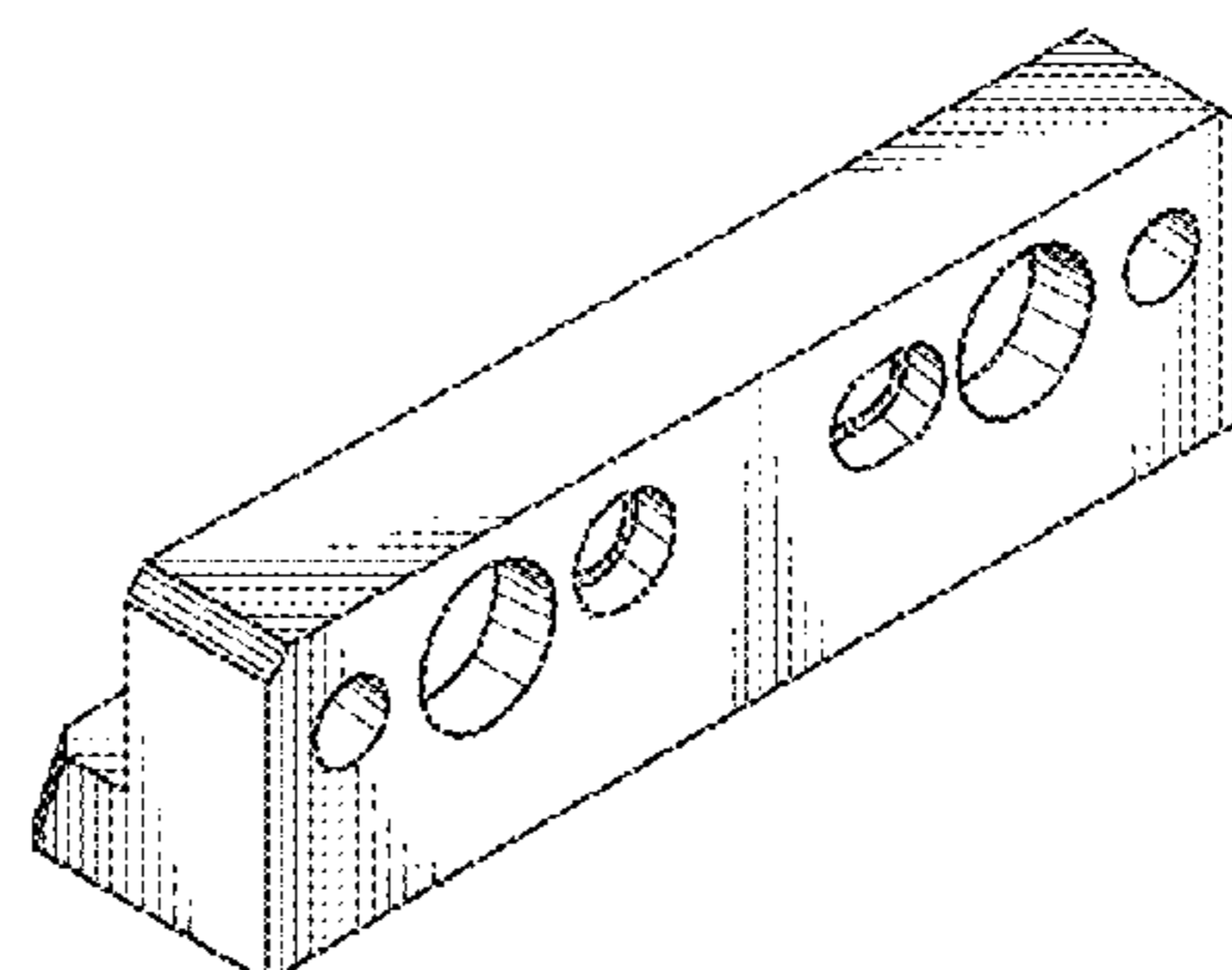
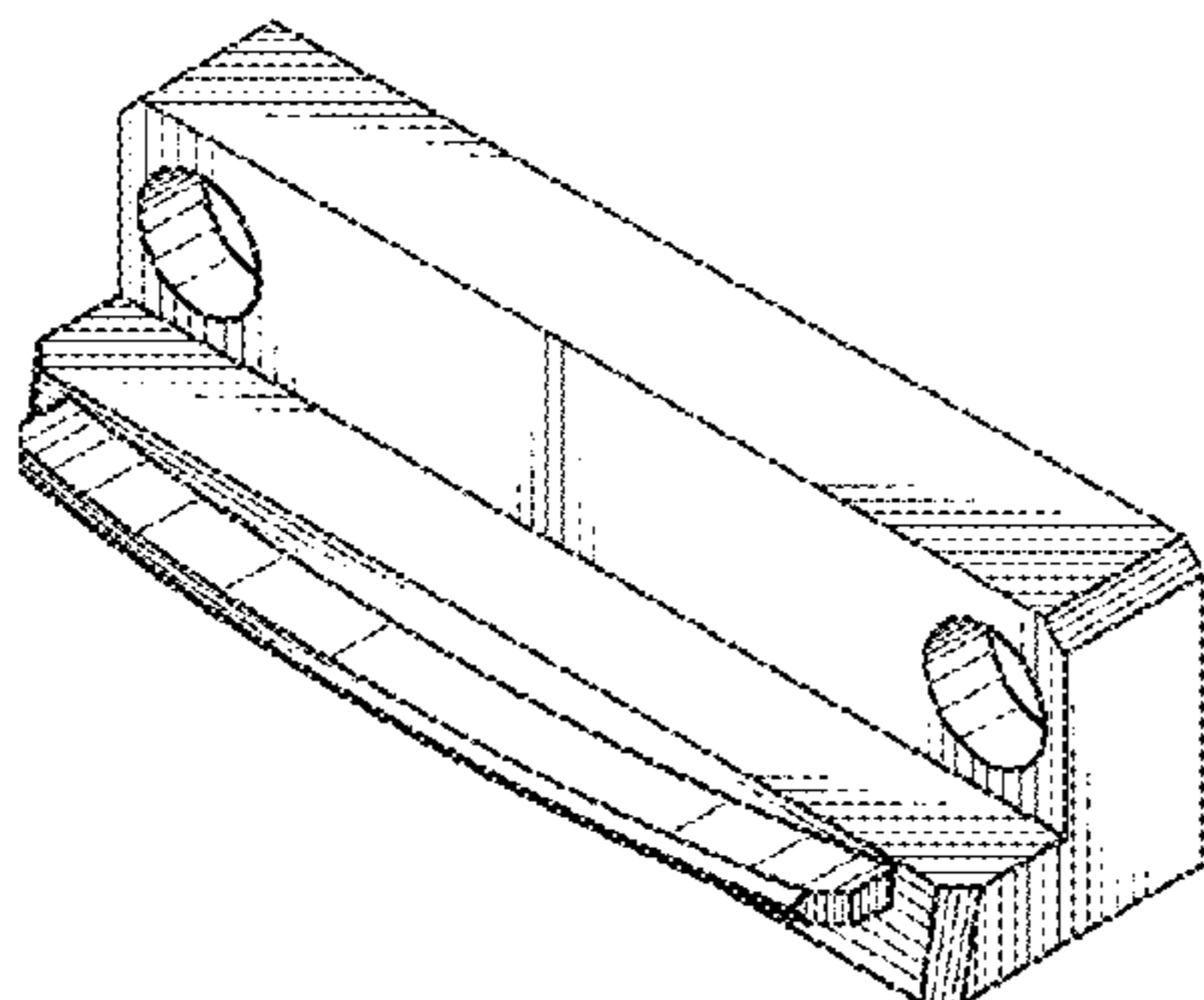


FIG. 28 is a right-side view thereof, a left-side view being a mirror image thereof.

1 Claim, 8 Drawing Sheets

(30) **Foreign Application Priority Data**

Aug. 5, 2016 (JP) 2016-016854
 Aug. 5, 2016 (JP) 2016-016855

(58) **Field of Classification Search**

CPC B24B 9/065; B24B 21/004; B24B 37/27
 See application file for complete search history.

(56) **References Cited**

U.S. PATENT DOCUMENTS

5,271,185 A * 12/1993 Hosokawa B24B 9/065
 451/136
 5,335,530 A * 8/1994 Homm B21D 39/04
 72/402
 5,445,554 A * 8/1995 Hosokawa B24B 9/065
 451/11
 5,476,413 A * 12/1995 Hasegawa B24B 9/065
 451/168
 5,476,414 A * 12/1995 Hirose B24B 37/107
 257/E21.237
 5,493,380 A * 2/1996 Saitou G03G 15/2064
 399/328
 5,564,965 A * 10/1996 Tanaka B24B 37/22
 451/285
 5,960,729 A * 10/1999 Matsumoto D05B 29/00
 112/129
 5,973,271 A * 10/1999 Fujita F16L 5/10
 174/152 G
 6,248,005 B1 * 6/2001 Ozaki B24B 9/065
 451/254

7,955,113 B2 * 6/2011 Chang H05K 7/1007
 439/331
 2001/0041523 A1 * 11/2001 Bonachera B24B 5/42
 451/307
 2002/0061211 A1 * 5/2002 Kamijo H04N 1/00567
 399/328
 2002/0137439 A1 * 9/2002 Hakomori B24B 9/065
 451/44
 2002/0164930 A1 * 11/2002 Hakomori B24B 9/065
 451/44
 2003/0186624 A1 * 10/2003 Koike B24B 37/30
 451/8
 2004/0087253 A1 * 5/2004 Mahadev B24B 9/065
 451/41
 2004/0180610 A1 * 9/2004 Togawa B24B 37/30
 451/41
 2005/0275398 A1 * 12/2005 Yamashita G01R 31/2851
 324/750.03
 2008/0085658 A1 * 4/2008 Katsuoka B24B 37/04
 451/7
 2008/0182482 A1 * 7/2008 Nomura B24B 9/065
 451/9
 2009/0011651 A1 * 1/2009 Lin H01R 12/79
 439/630
 2009/0177083 A1 * 7/2009 Matsumura A61B 8/08
 600/437
 2009/0264053 A1 * 10/2009 Manens B24B 9/065
 451/59
 2010/0170716 A1 * 7/2010 Ishida H01R 4/4818
 174/84 R
 2011/0003540 A1 * 1/2011 Takahashi B24B 9/065
 451/303
 2011/0132956 A1 * 6/2011 Kempka, Jr. B26D 7/025
 225/103
 2011/0237164 A1 * 9/2011 Seki B24B 9/065
 451/44
 2014/0042005 A1 * 2/2014 Lee H01H 13/83
 200/5 A

* cited by examiner

FIG. 1

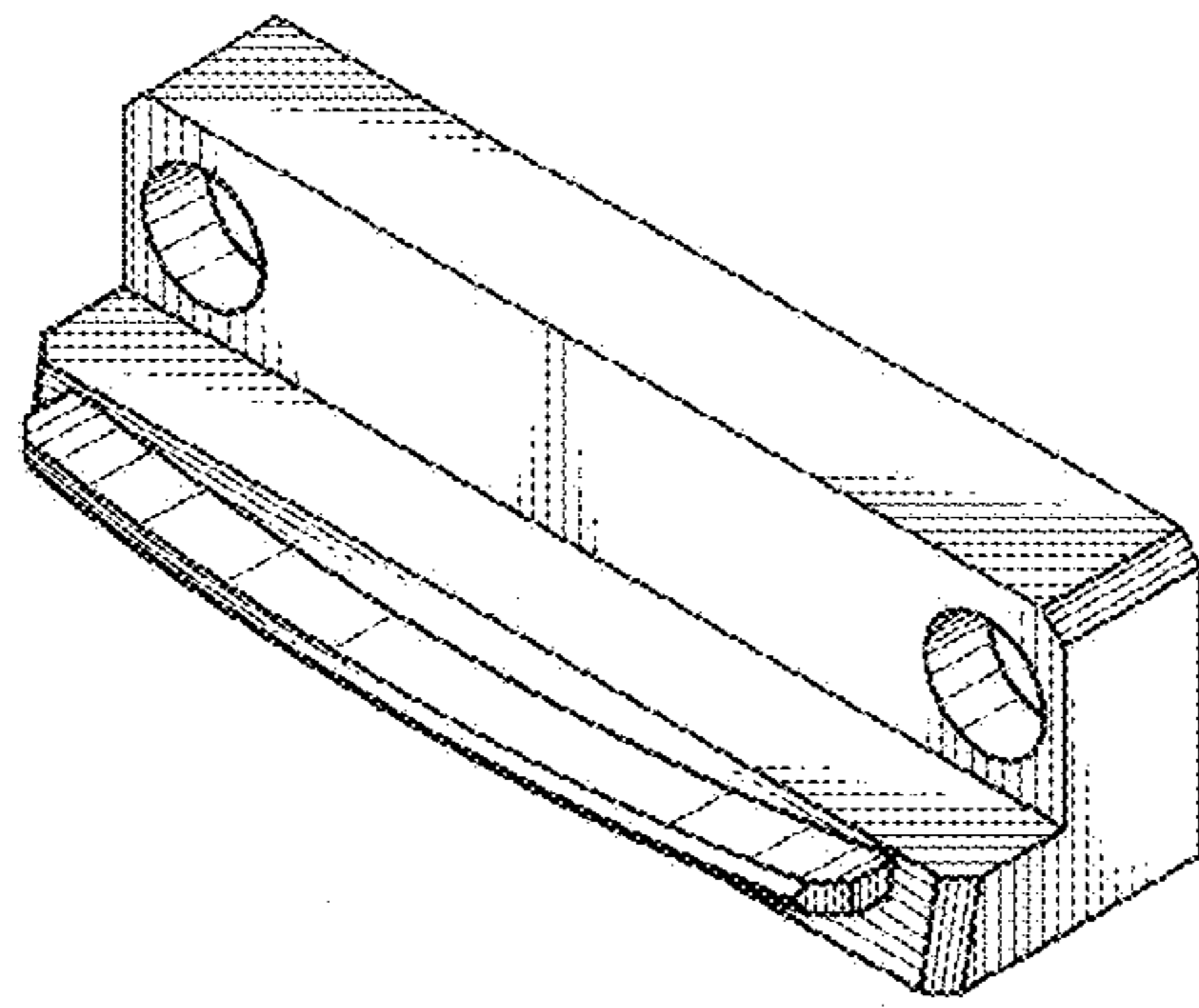


FIG. 2

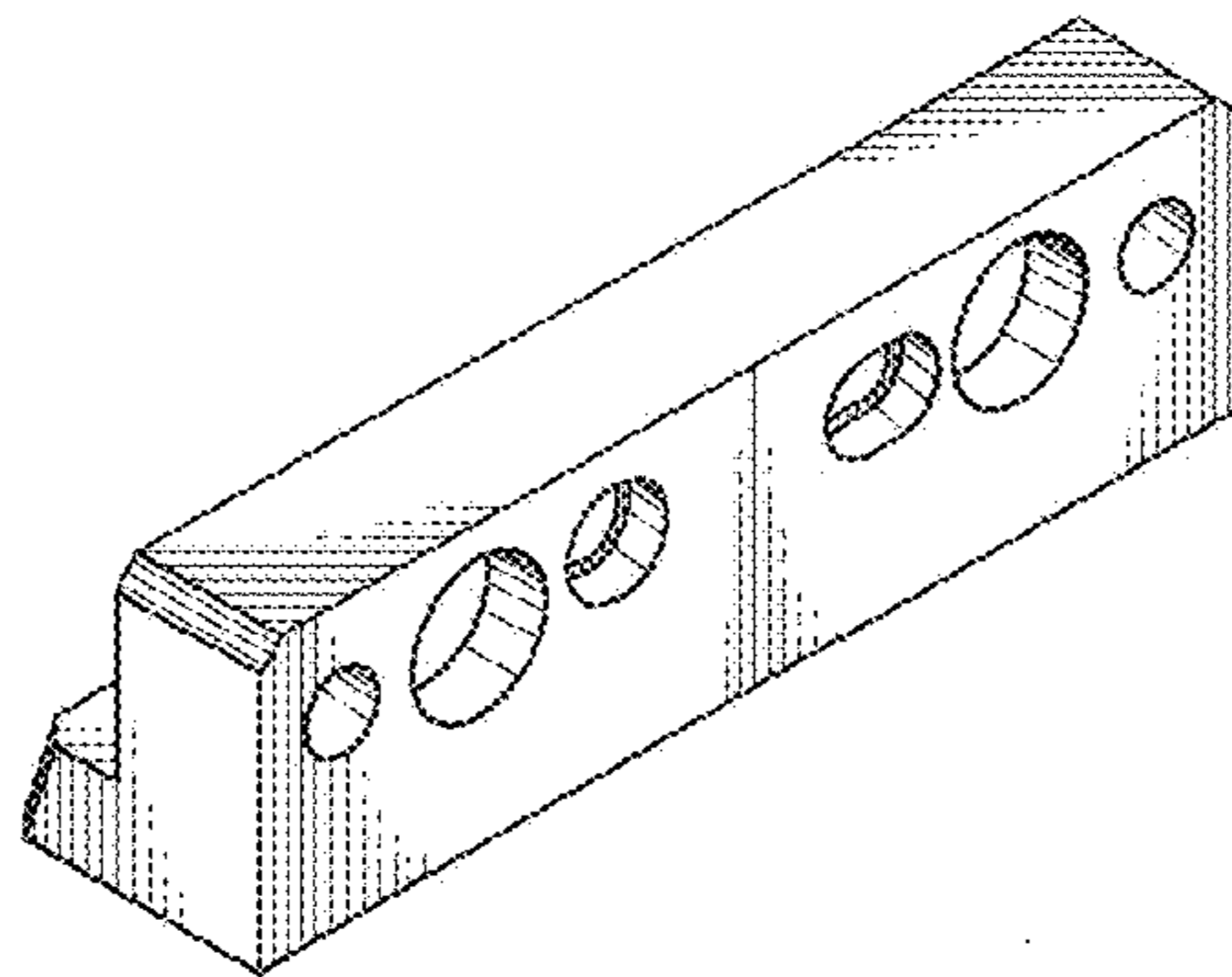


FIG. 3

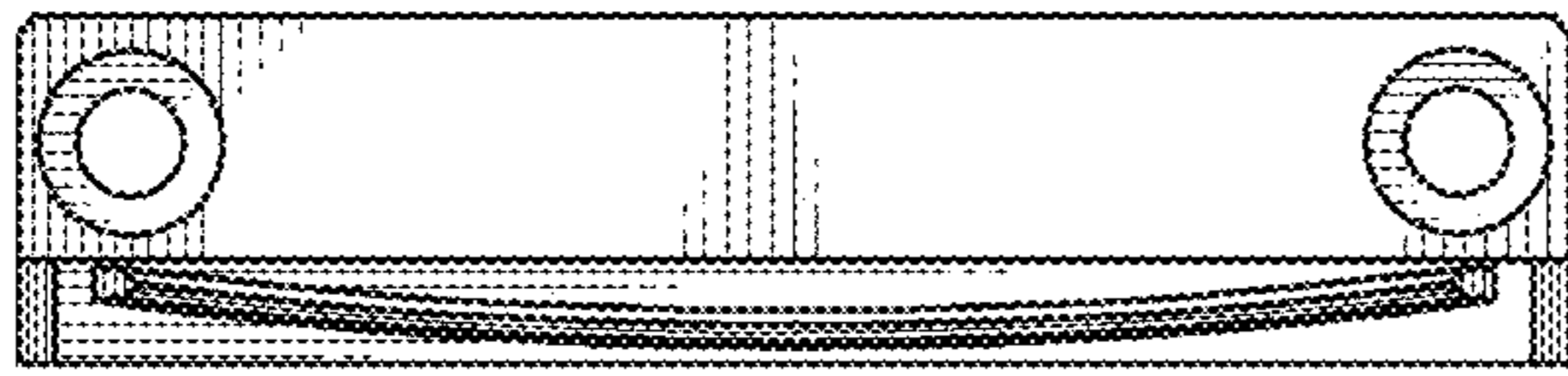


FIG. 7

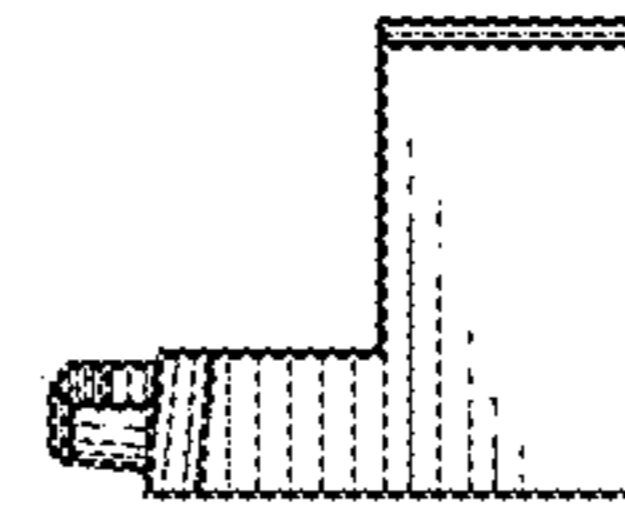


FIG. 4

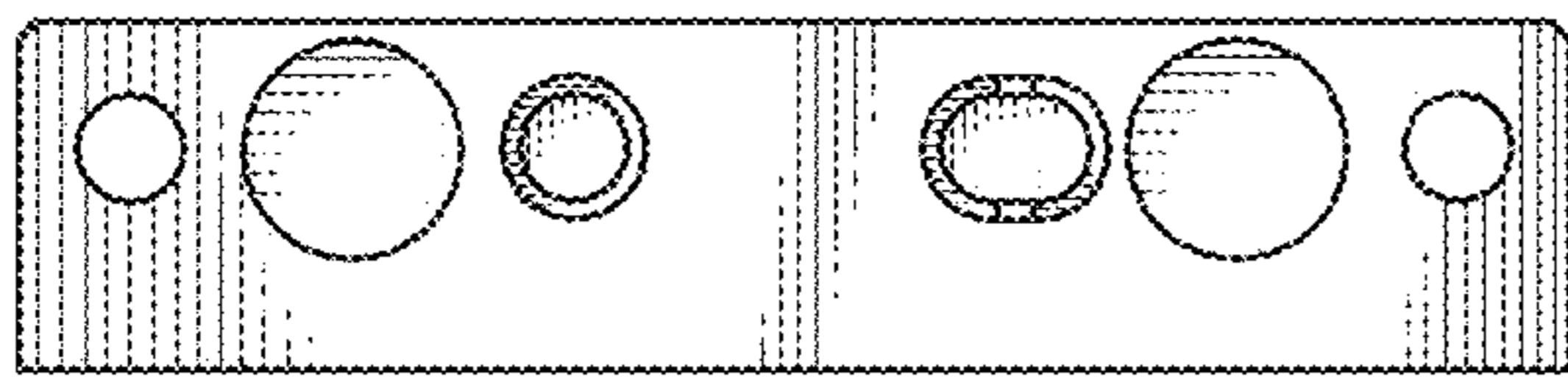


FIG. 5

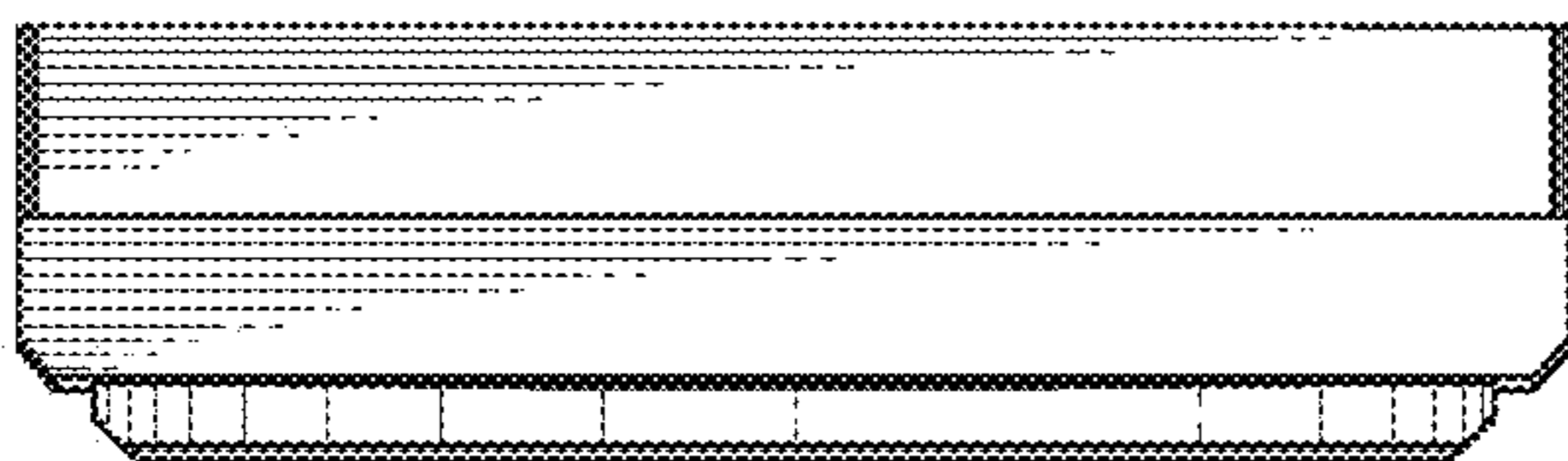


FIG. 6

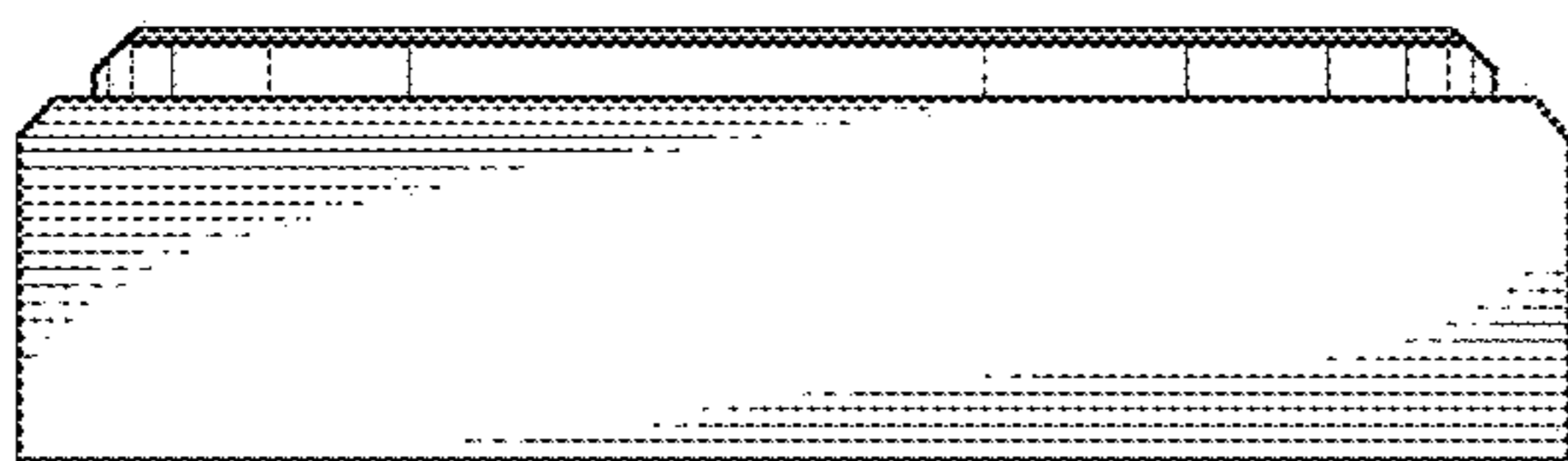


FIG. 8

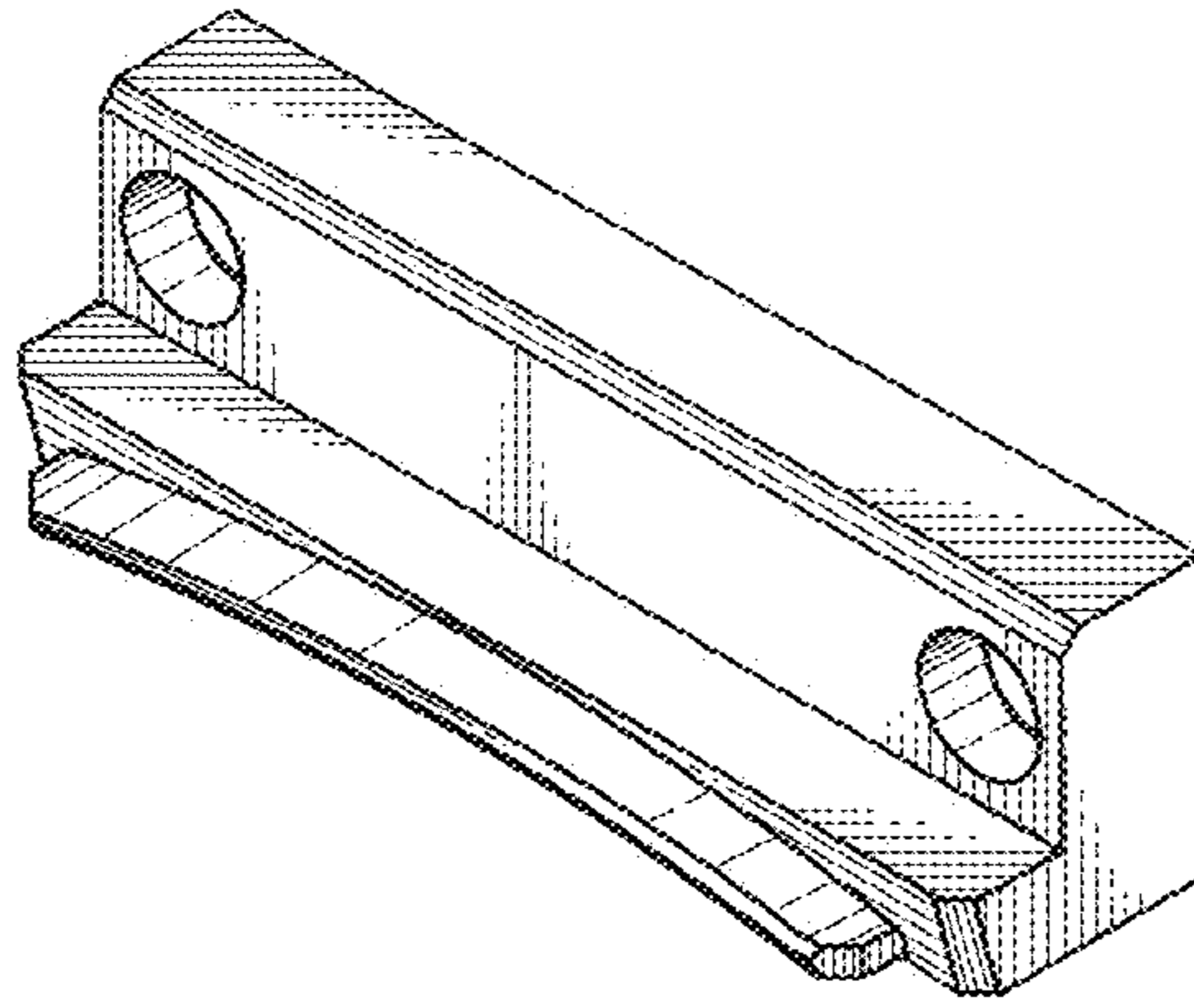


FIG. 9

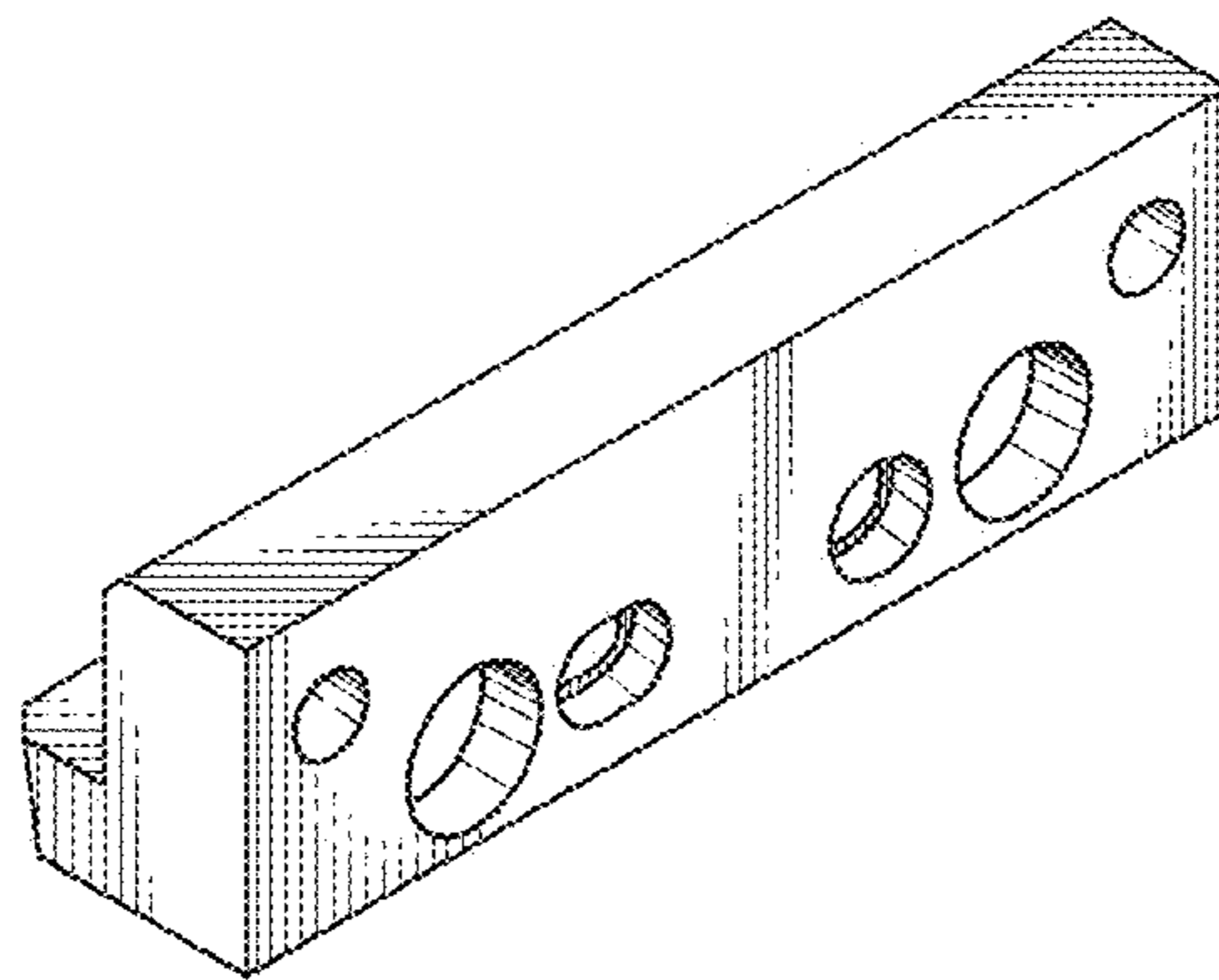


FIG. 10

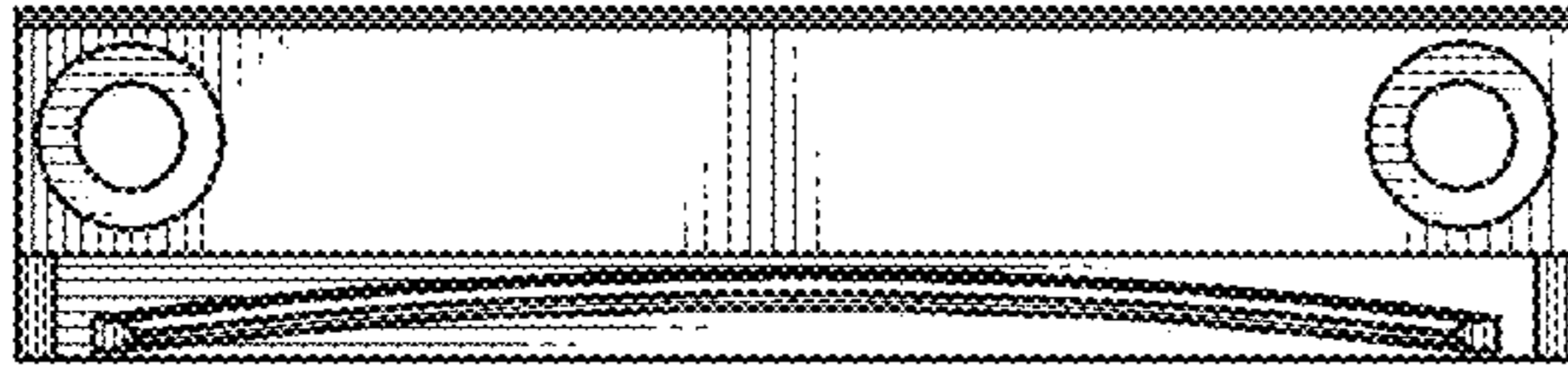


FIG. 14

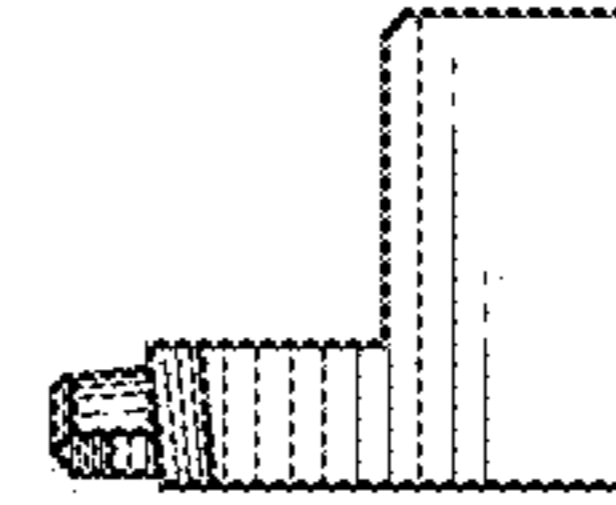


FIG. 11

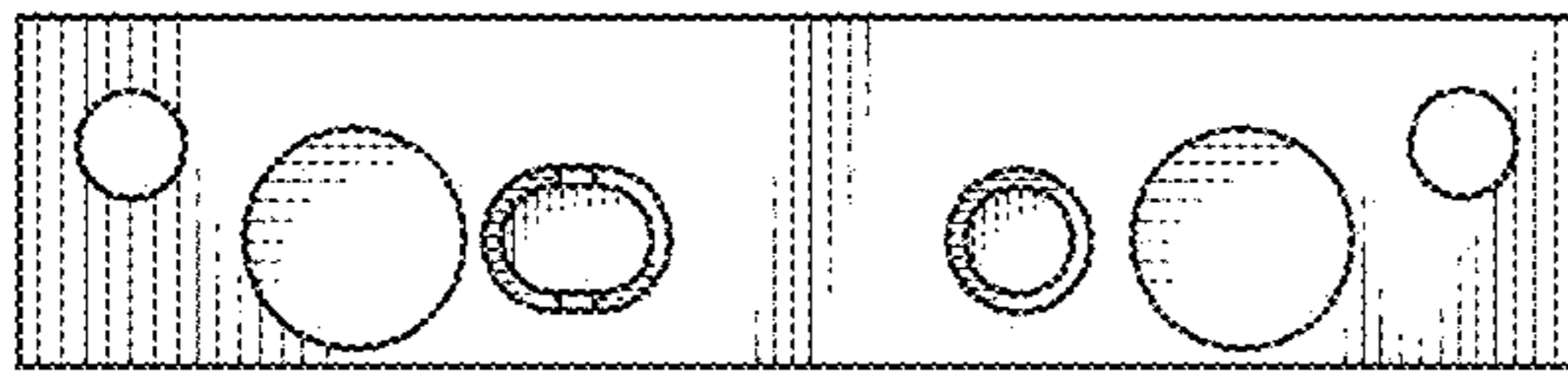


FIG. 12

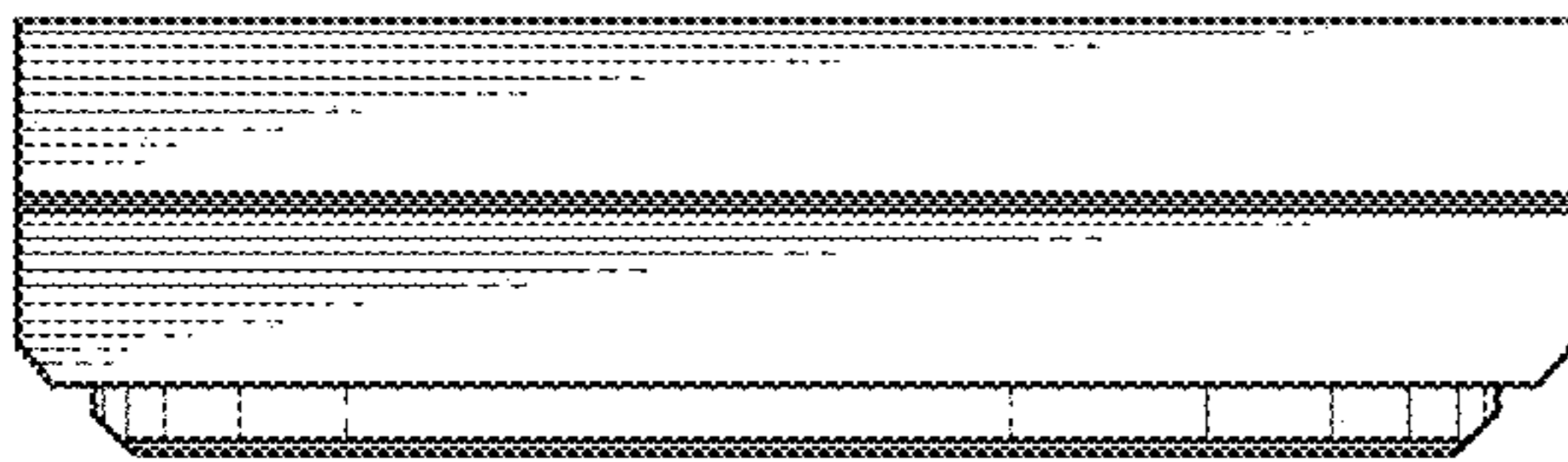


FIG. 13

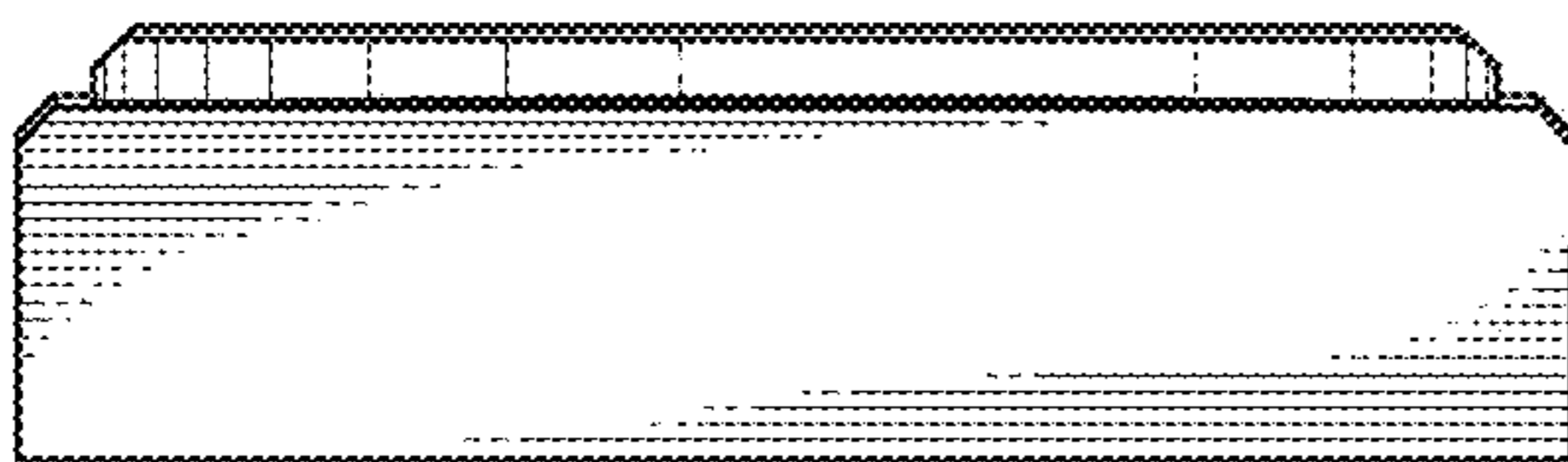


FIG. 15

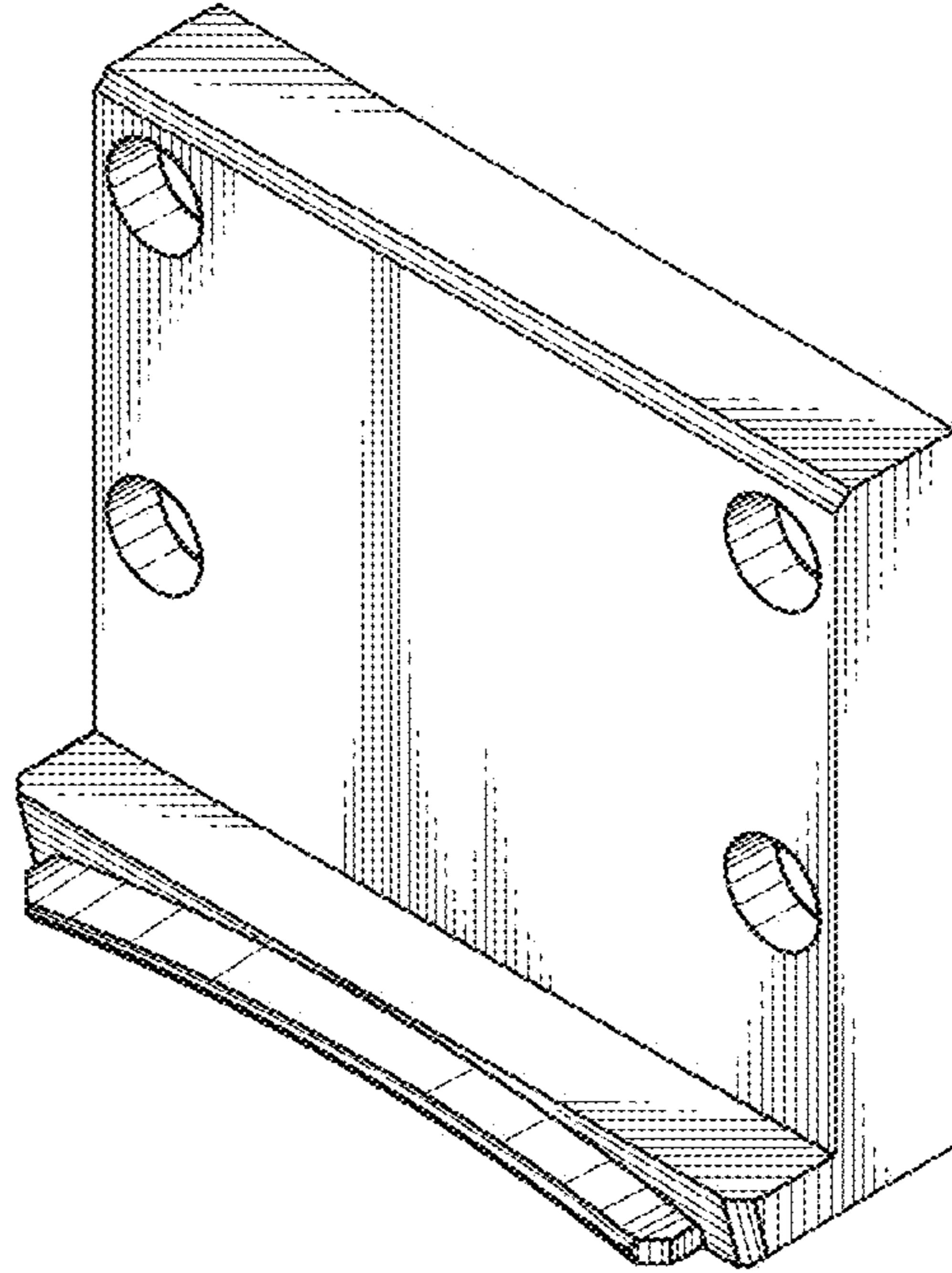


FIG. 16

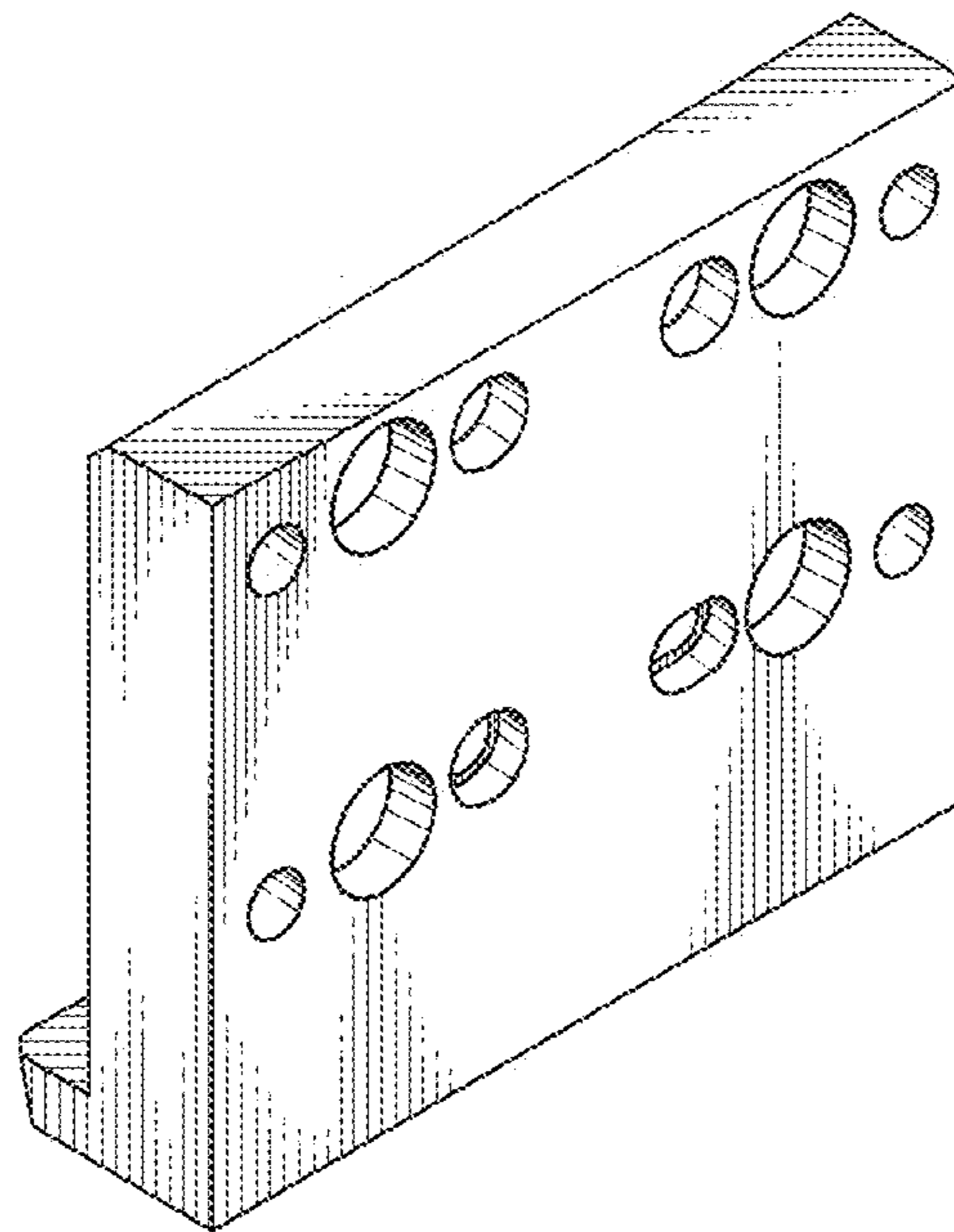


FIG. 17

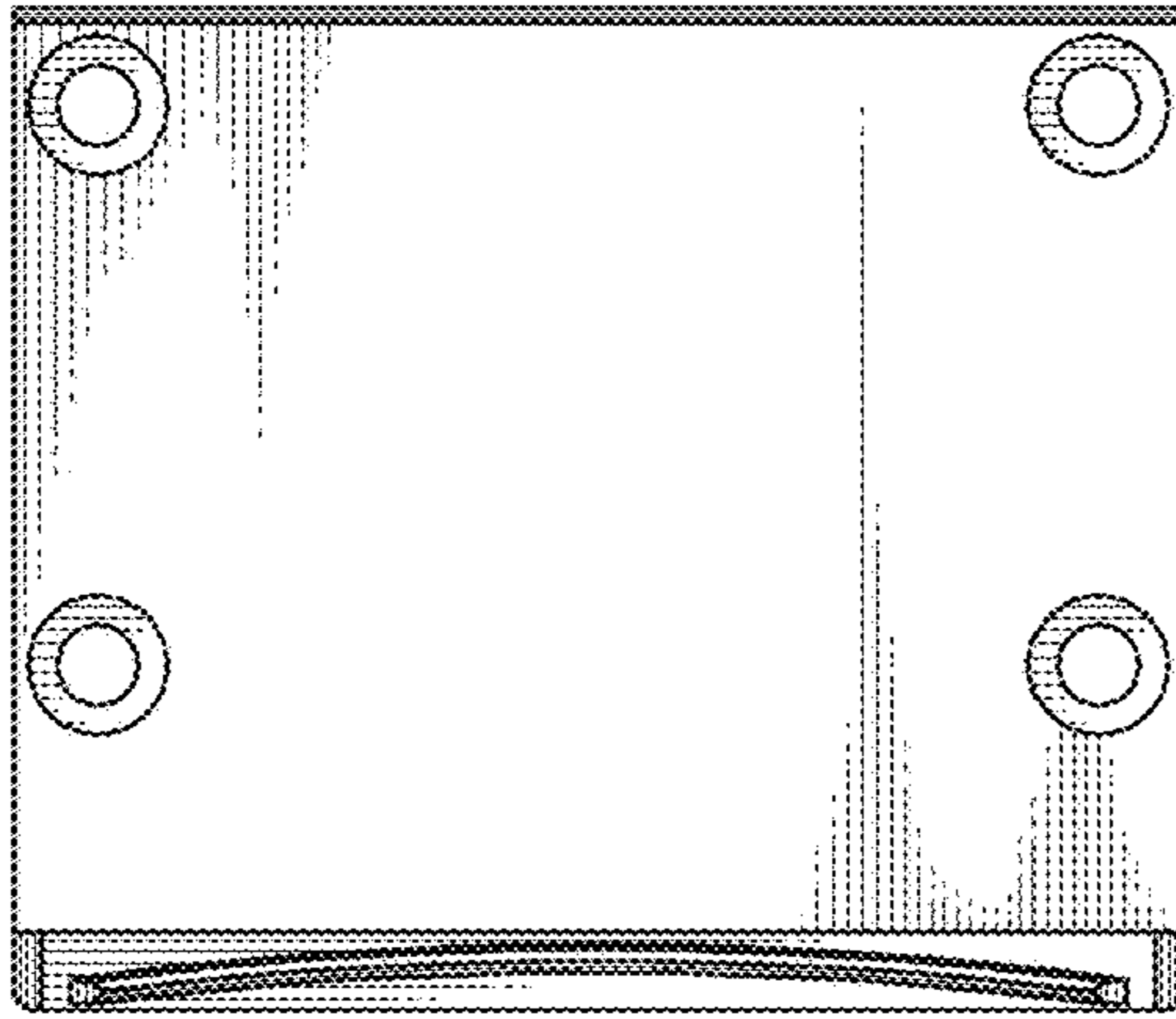


FIG. 21

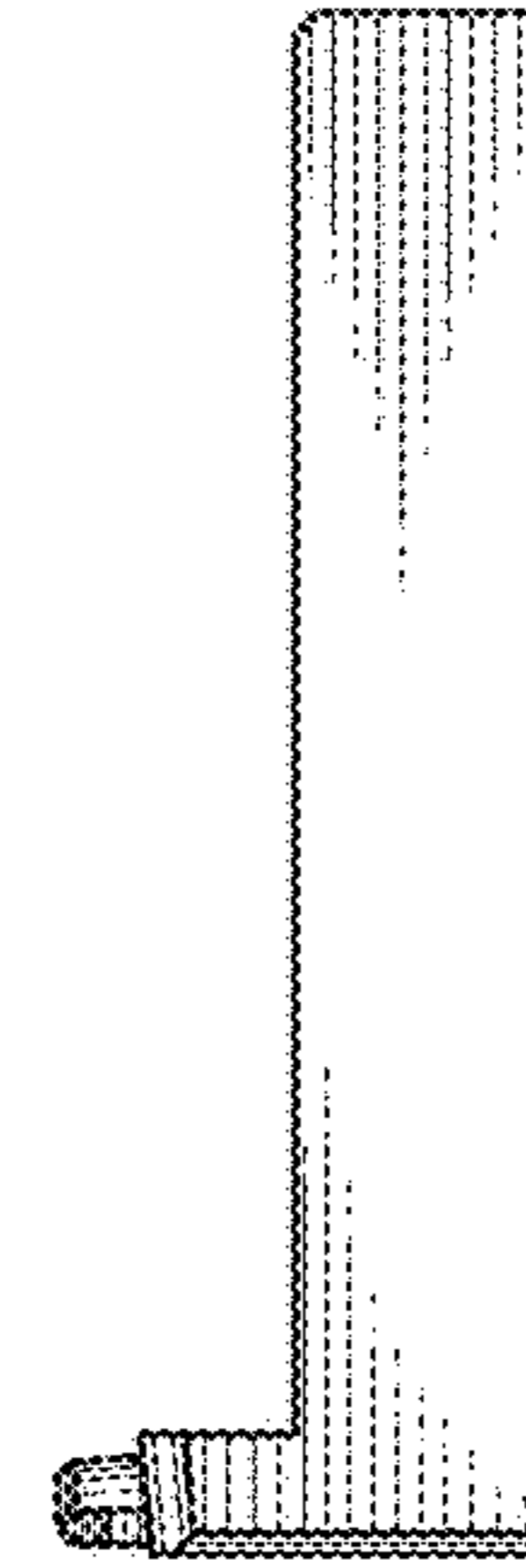


FIG. 18

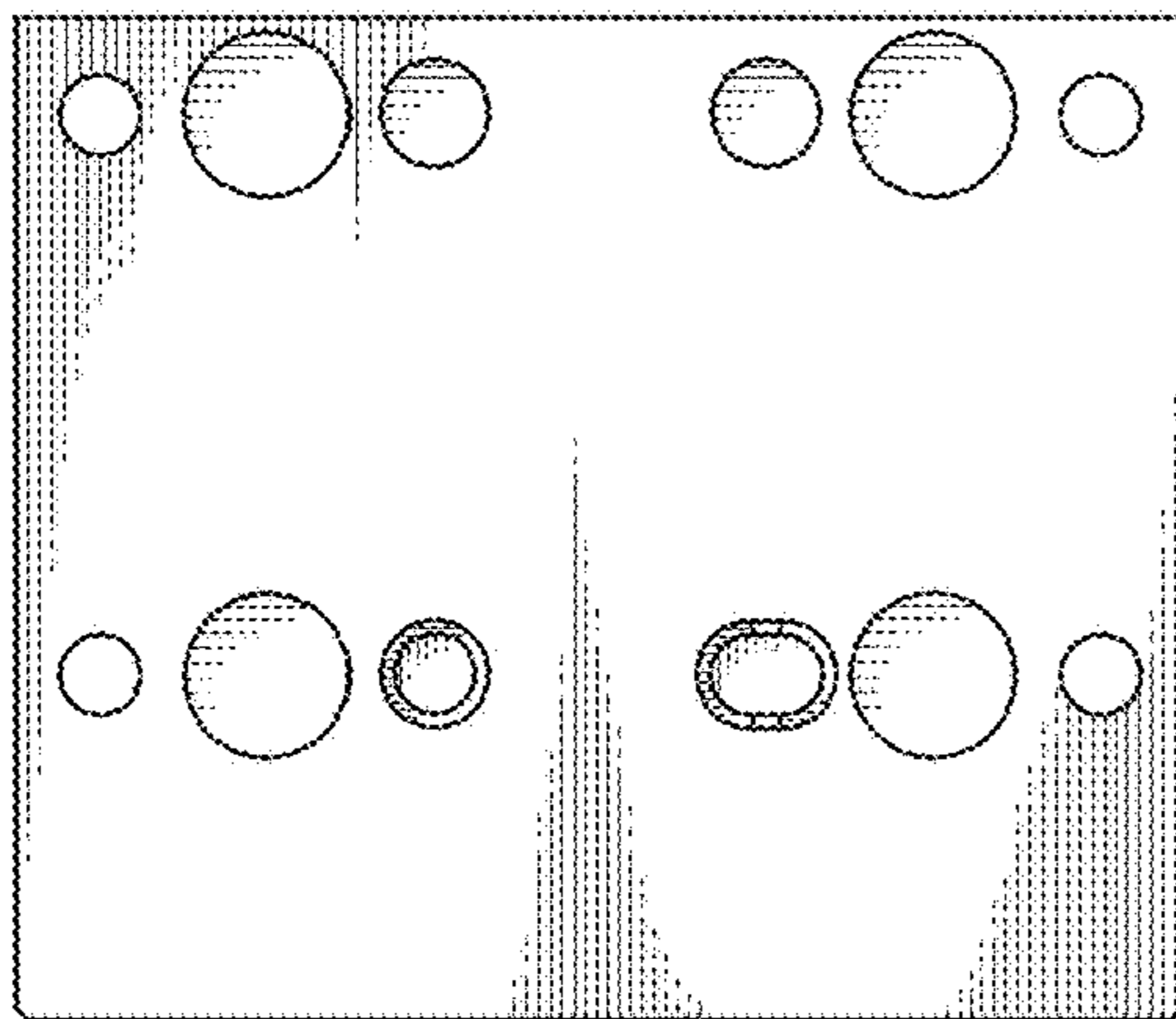


FIG. 19

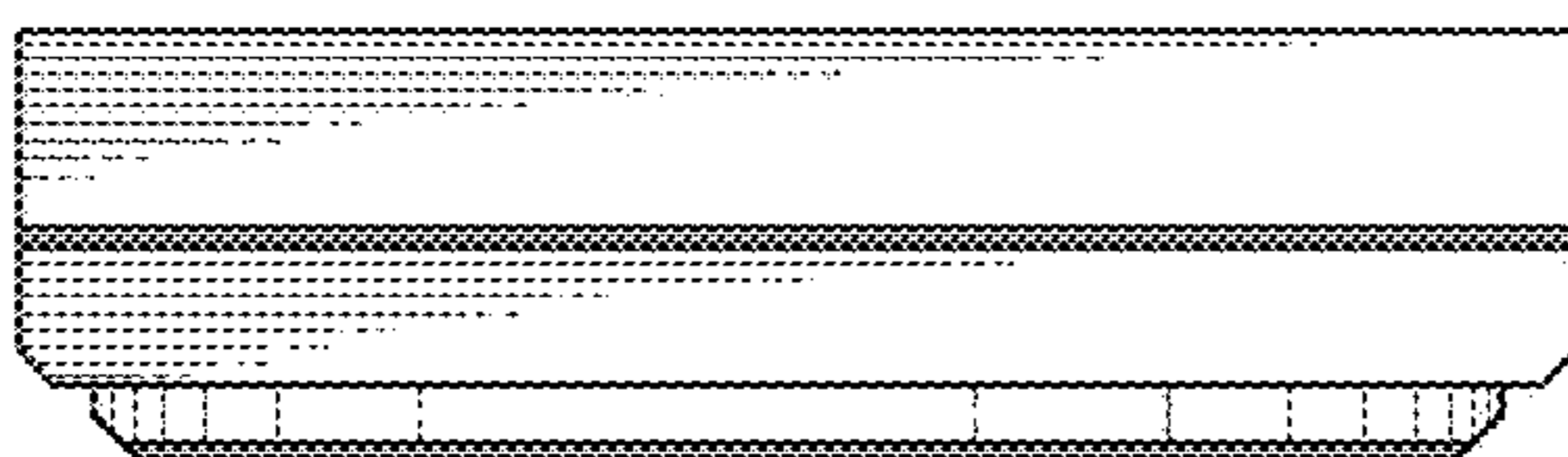


FIG. 20

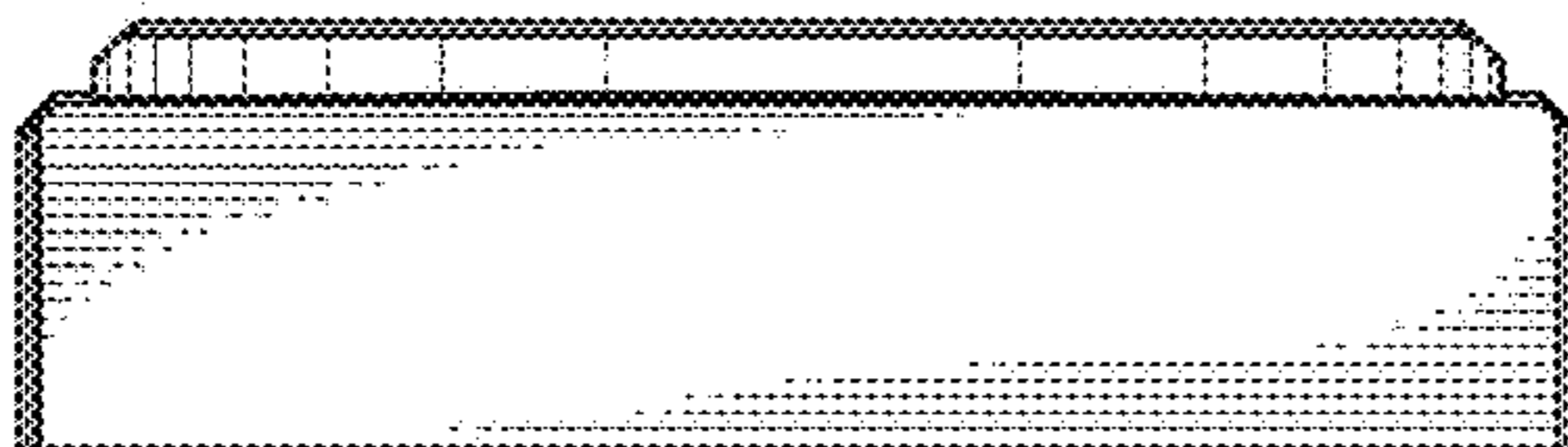


FIG. 22

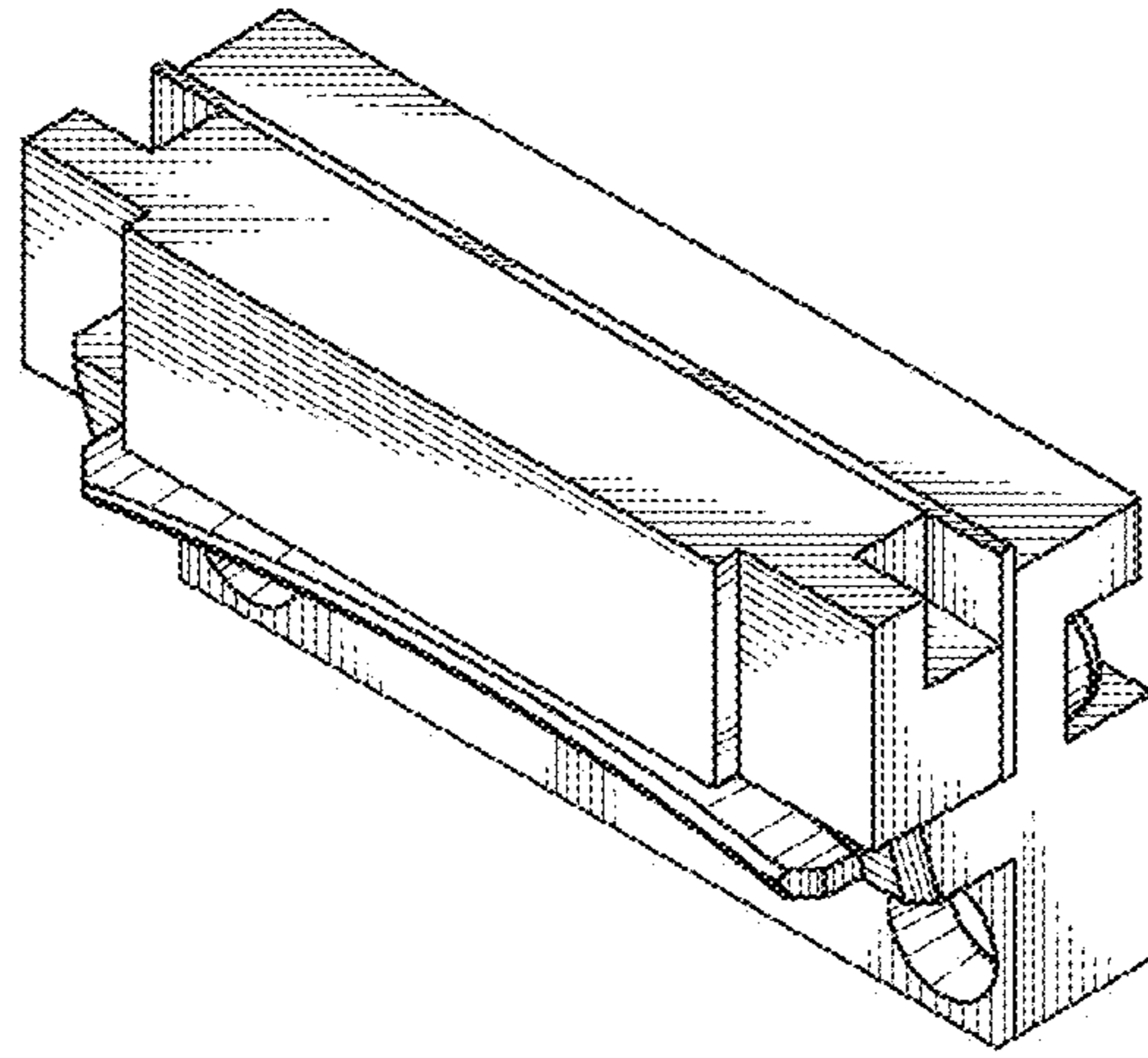


FIG. 23

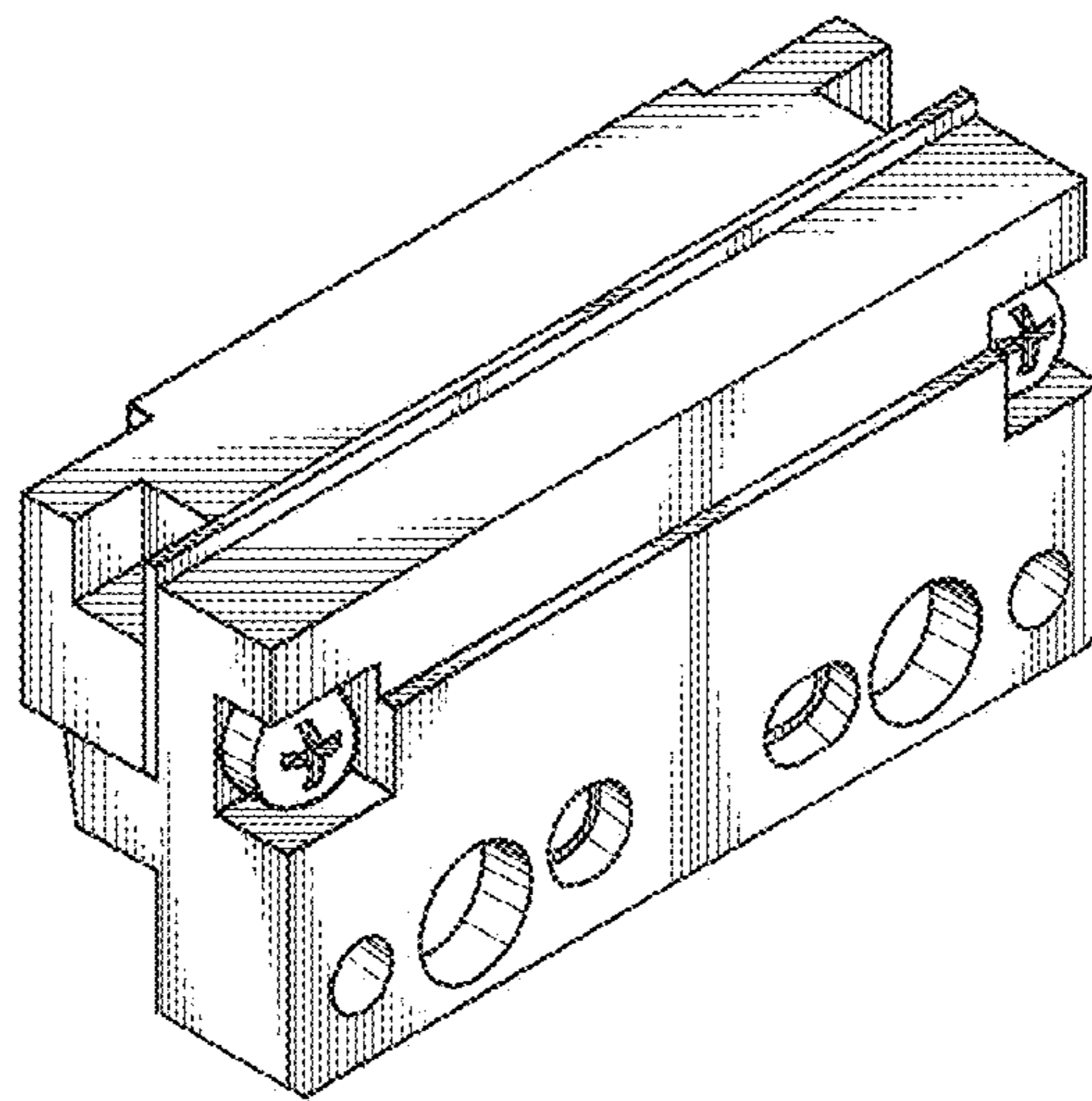


FIG. 24

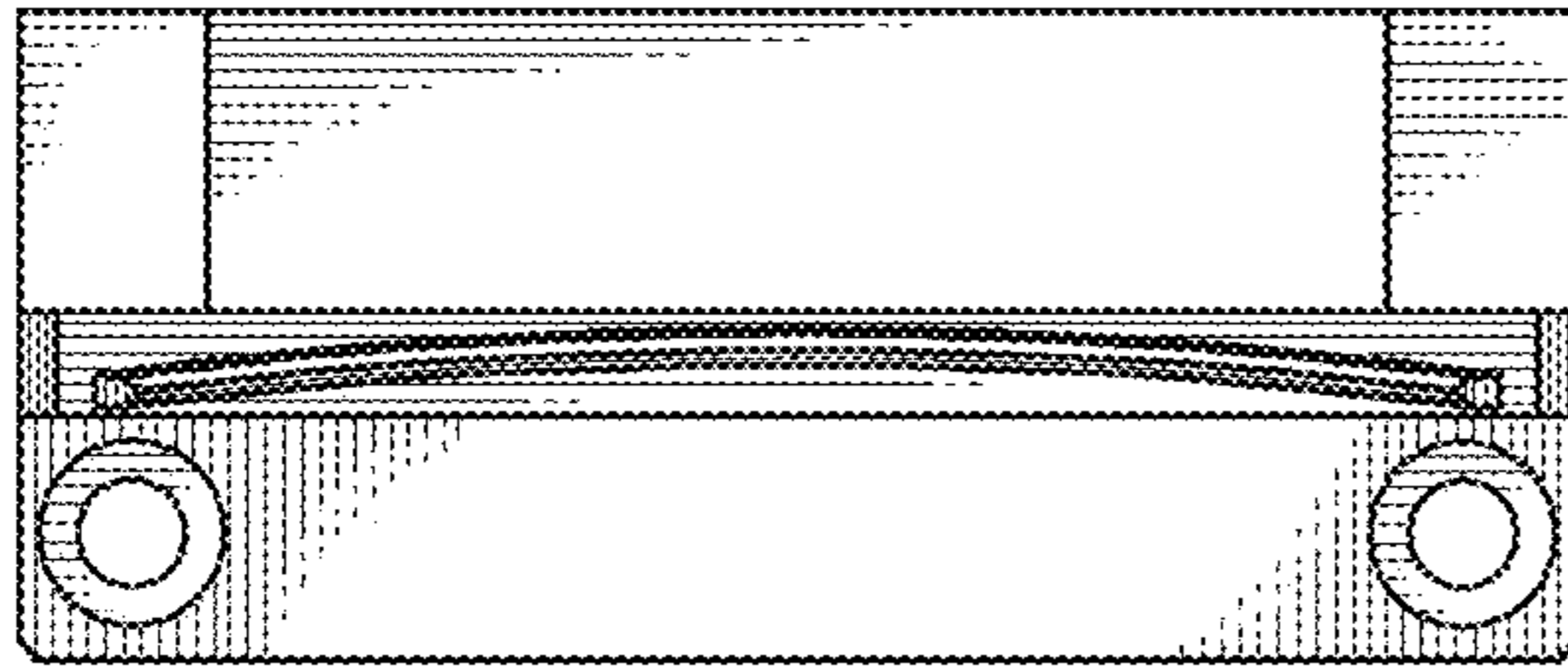


FIG. 28

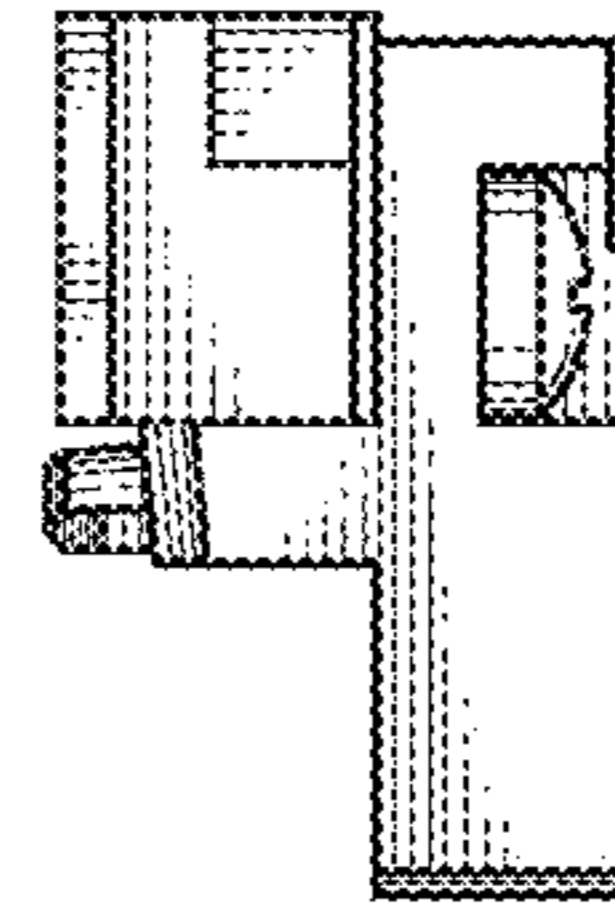


FIG. 25

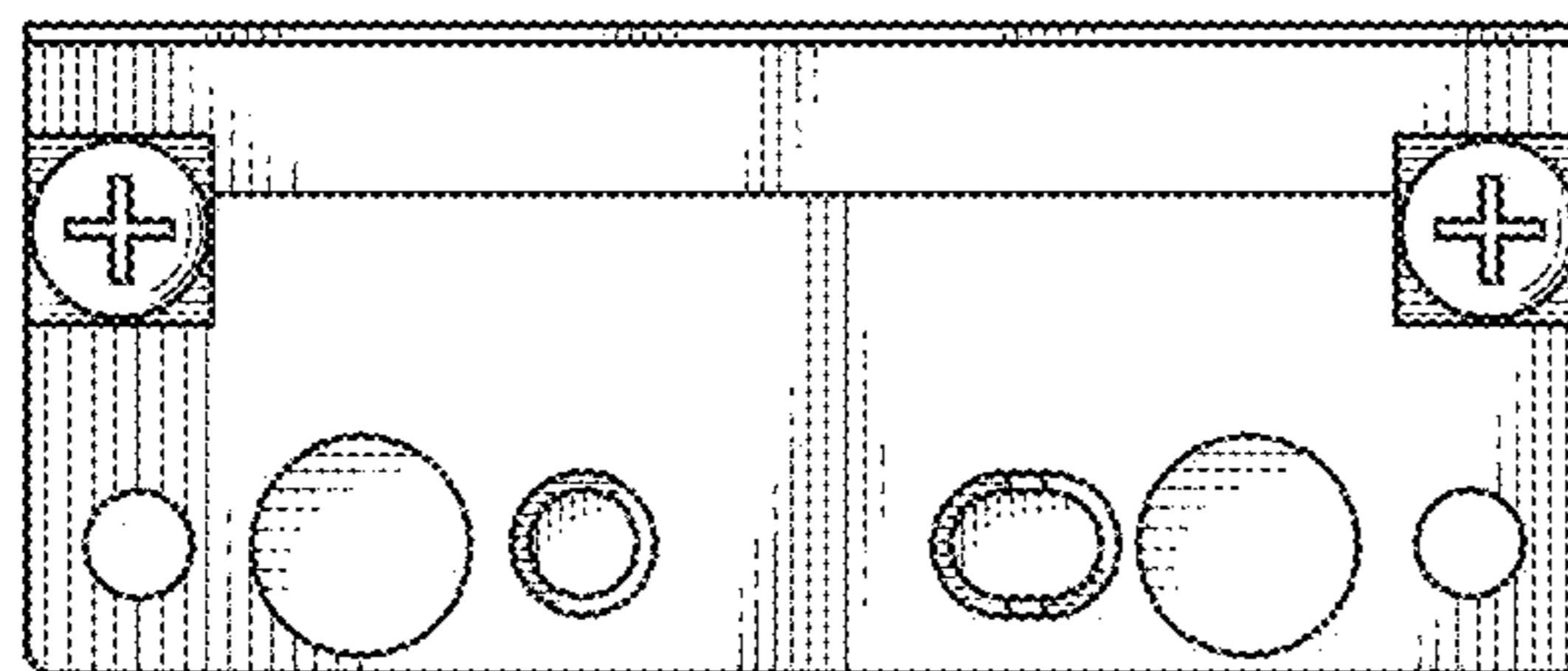


FIG. 26

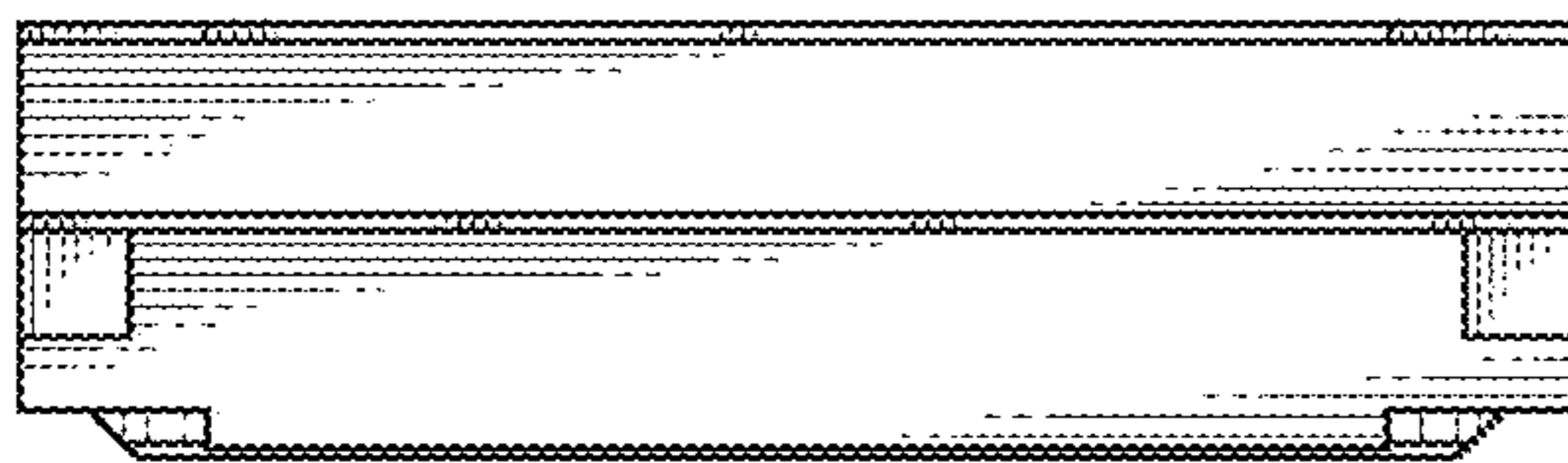


FIG. 27

