



US00D834073S

(12) **United States Design Patent**
Adomat

(10) **Patent No.:** **US D834,073 S**

(45) **Date of Patent:** **** Nov. 20, 2018**

(54) **COMPACT WATER CHILLER**

D726,784 S * 4/2015 Kotian D15/5
D749,651 S * 2/2016 Abastari D15/79
D762,743 S * 8/2016 Fan D15/81

(71) Applicant: **Hyfra Industriekuhlanlagen GmbH,**
Krunkel (DE)

(72) Inventor: **Berthold Adomat,** Krunkel (DE)

(73) Assignee: **Hyfra Industriekuhlanlagen GmbH,**
Krunkel (DE)

(**) Term: **15 Years**

(21) Appl. No.: **29/590,339**

(22) Filed: **Jan. 9, 2017**

(51) **LOC (11) Cl.** **15-07**

(52) **U.S. Cl.**
USPC **D15/79**

(58) **Field of Classification Search**
USPC D15/79-91; D7/306-608
CPC .. F25C 5/002; F25C 5/005; F25C 5/12; F25C
1/04; F25C 2500/02; F25C 2500/08;
F25C 2700/02; F25C 5/02; F25C 5/046;
F25C 5/187
See application file for complete search history.

(56) **References Cited**

U.S. PATENT DOCUMENTS

2,262,261 A * 11/1941 Smith F24F 1/022
454/233
2,566,865 A * 9/1951 Wingerter F25D 15/00
165/46
D312,469 S * 11/1990 Blacker D15/79
D451,107 S * 11/2001 Tsuji D15/79
D581,196 S * 11/2008 Kassenaar D7/306
D581,197 S * 11/2008 Kassenaar D7/306

OTHER PUBLICATIONS

Heatcraft, Hyfra eChilly, Sales Literature, <http://www.hyfra.com/en/products/overview/hyfra-echilly/>, downloaded Jan. 17, 2017, 2 pages.

* cited by examiner

Primary Examiner — Ian Simmons

Assistant Examiner — Khawaja Anwar

(74) *Attorney, Agent, or Firm* — Hubbard Johnston,
PLLC

(57) **CLAIM**

The ornamental design for a compact water chiller, as shown and described.

DESCRIPTION

FIG. 1 is a front perspective view of a compact water chiller showing our new design;

FIG. 2 is a front elevation view thereof;

FIG. 3 is a rear elevation view thereof;

FIG. 4 is a right side elevation view thereof;

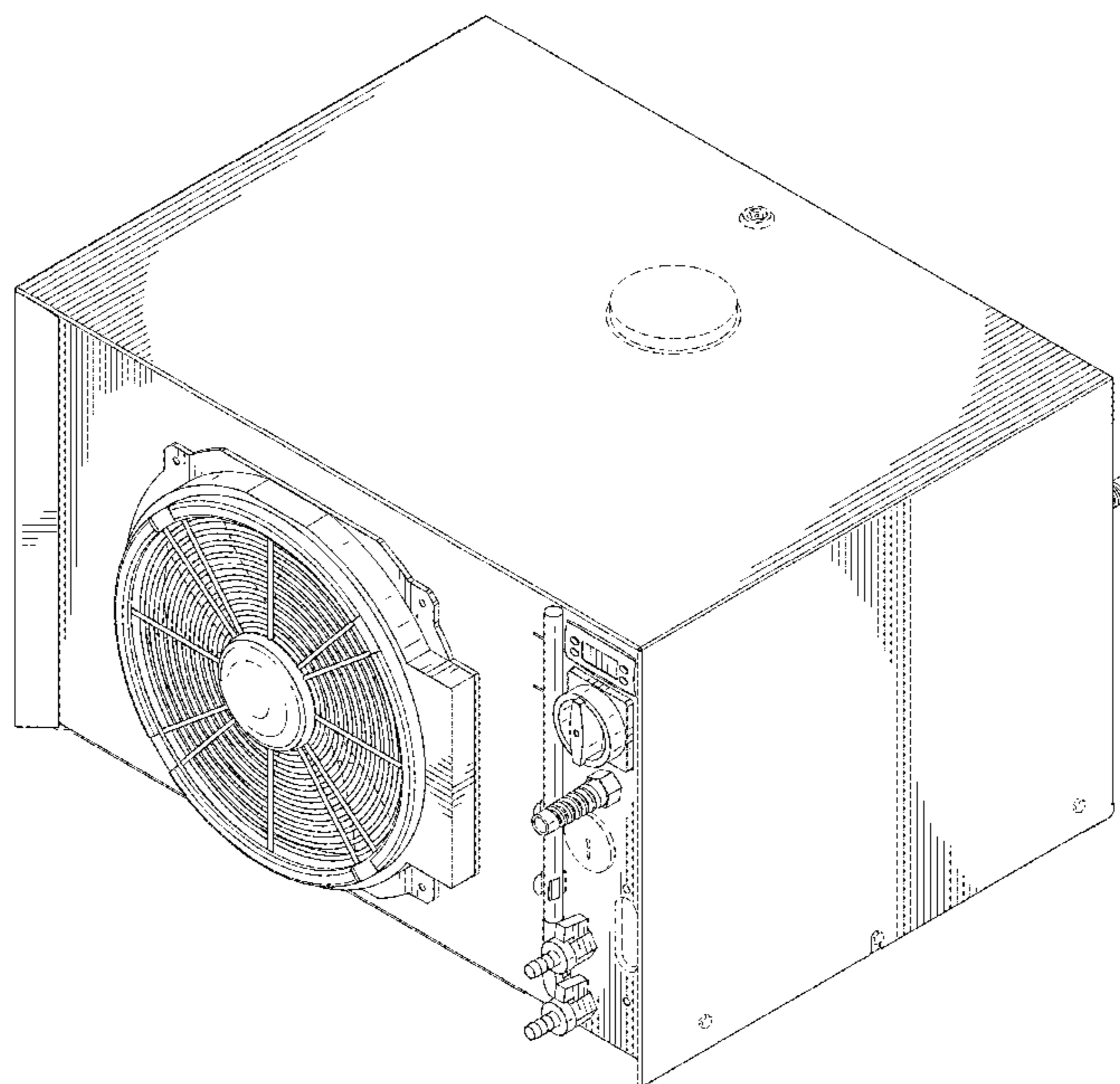
FIG. 5 is a left side elevation view thereof;

FIG. 6 is a top plan view thereof; and,

FIG. 7 is a bottom plan view thereof.

The broken lines in the Figures show portions of the compact water chiller that form no part of the claimed design.

1 Claim, 7 Drawing Sheets



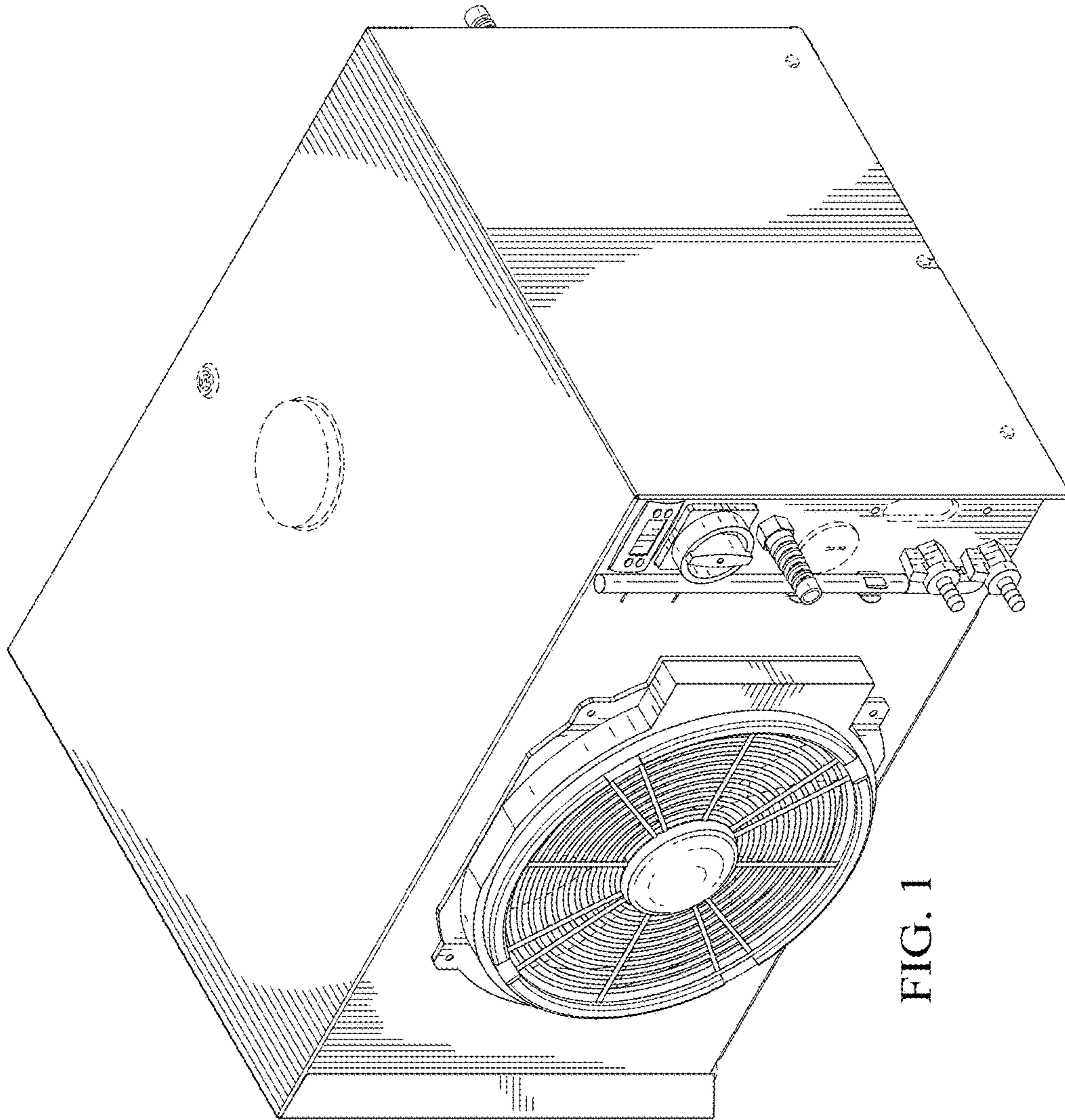


FIG. 1

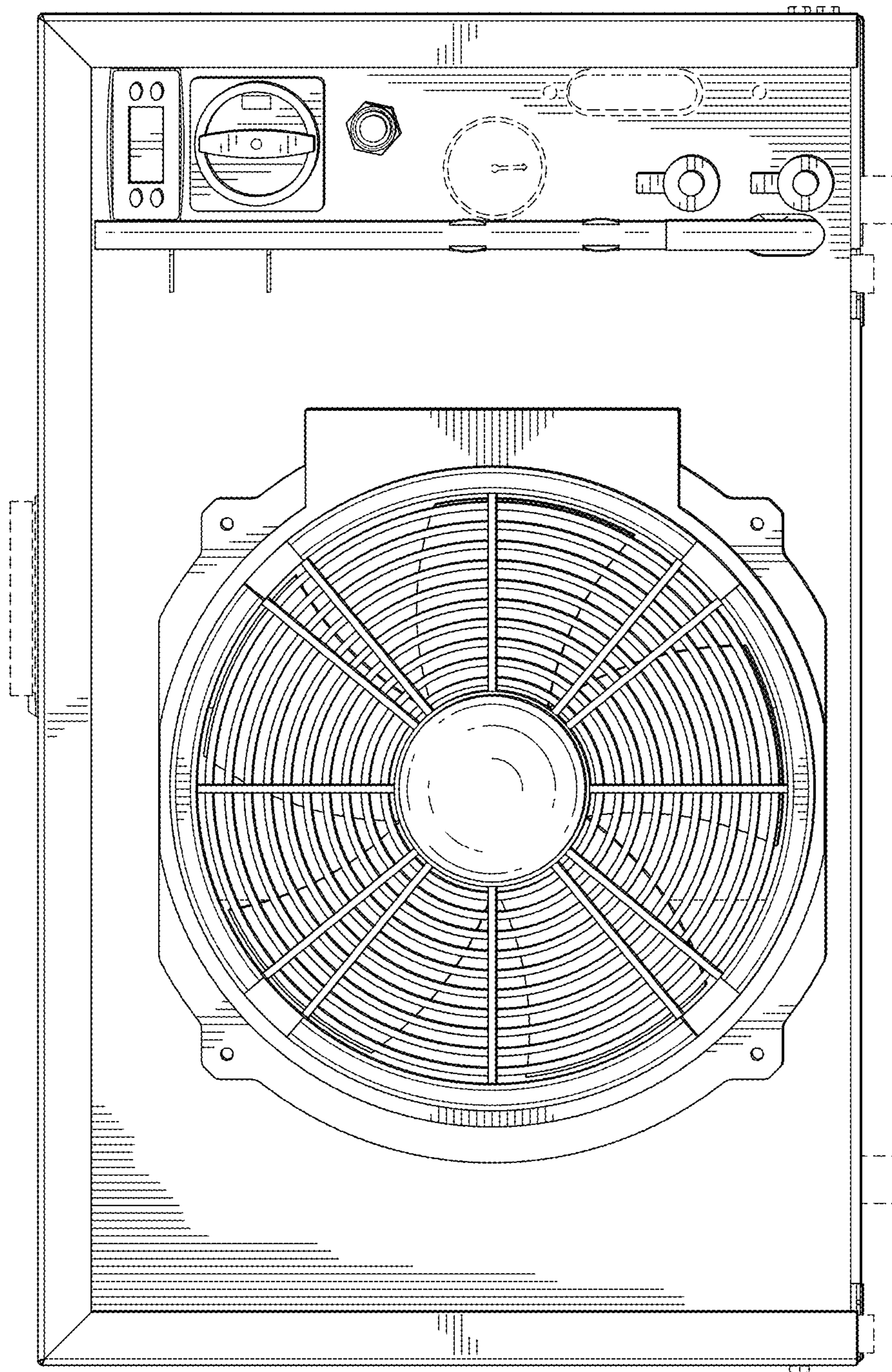


FIG. 2

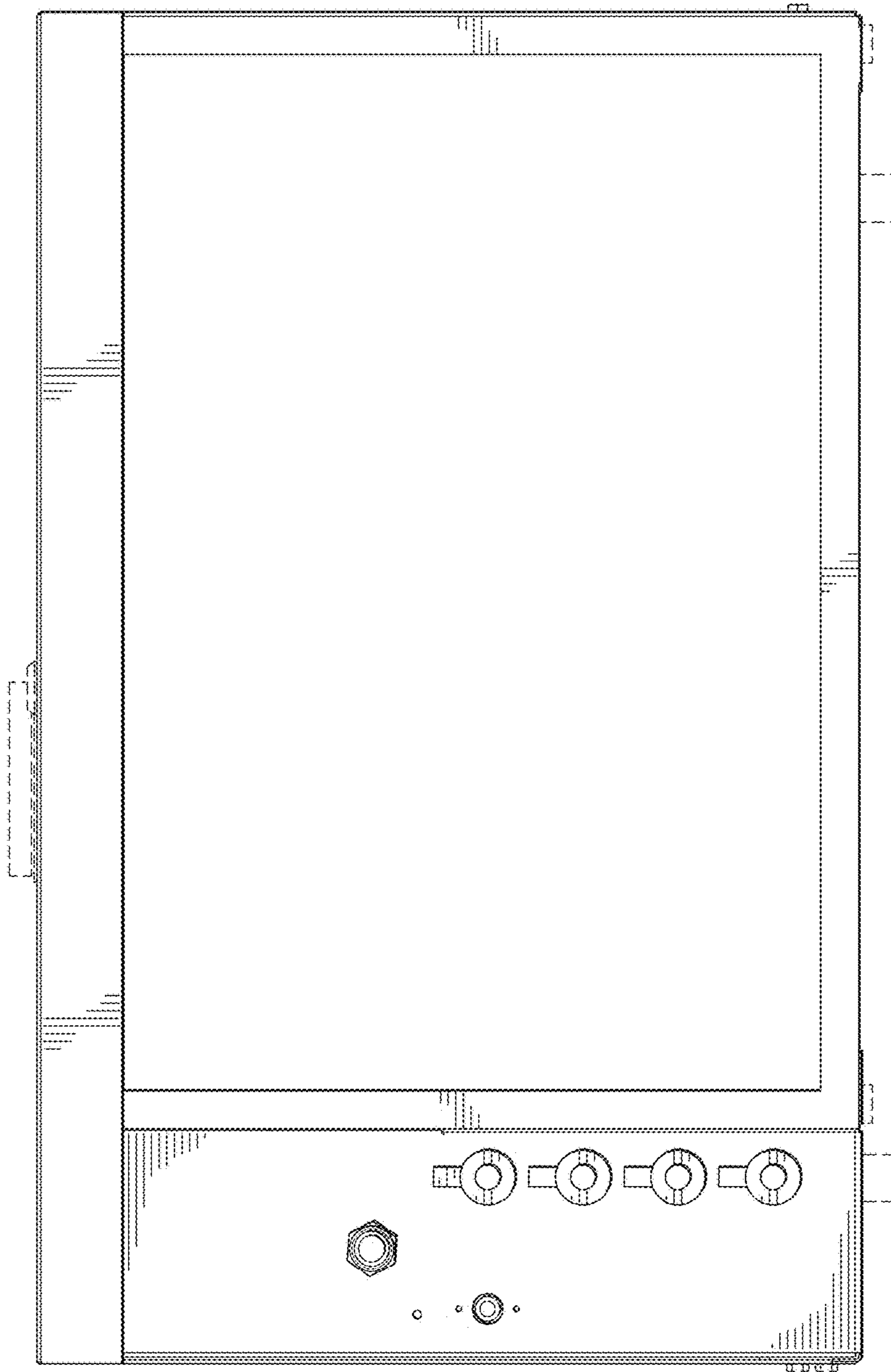


FIG. 3

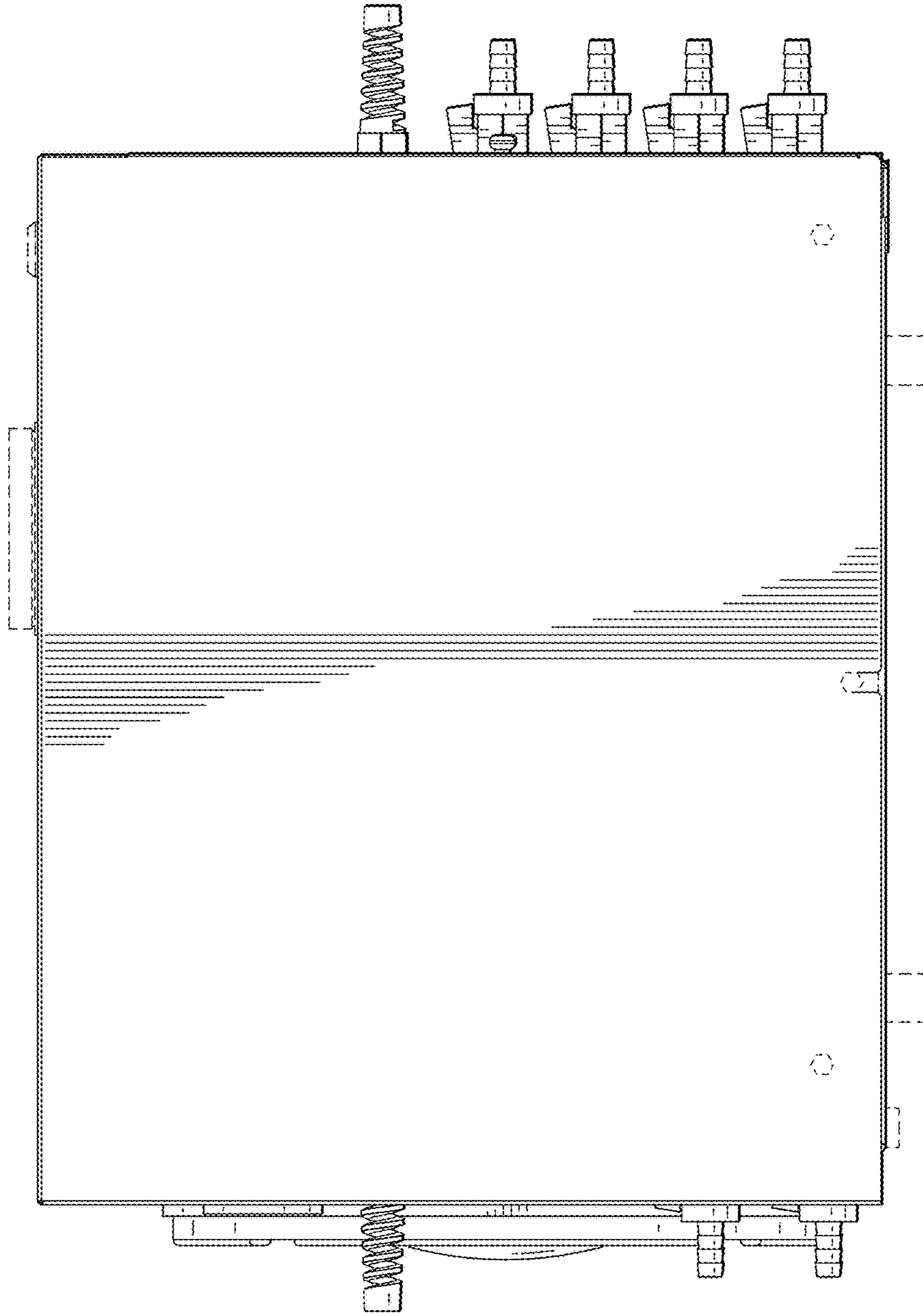


FIG. 4

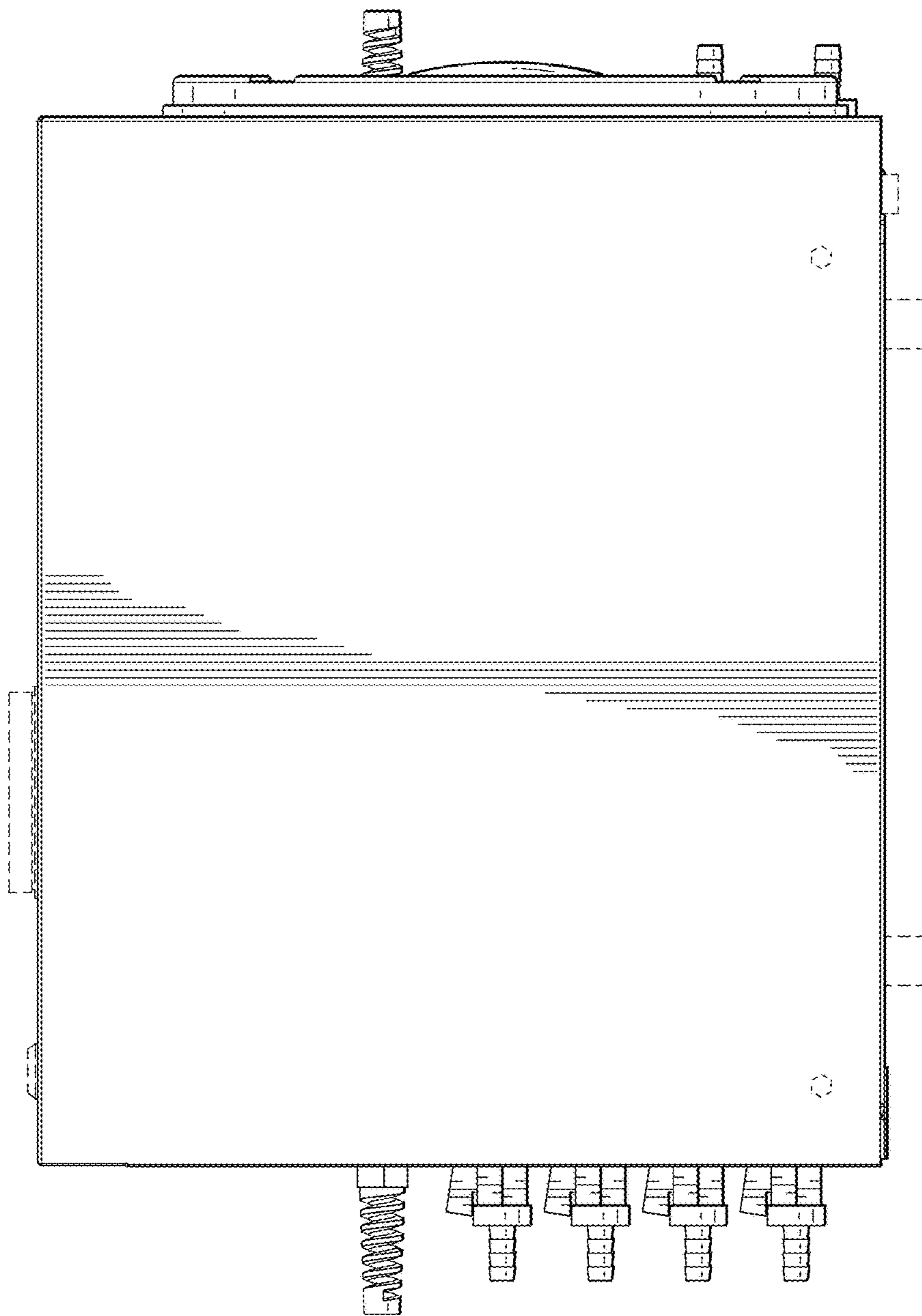


FIG. 5

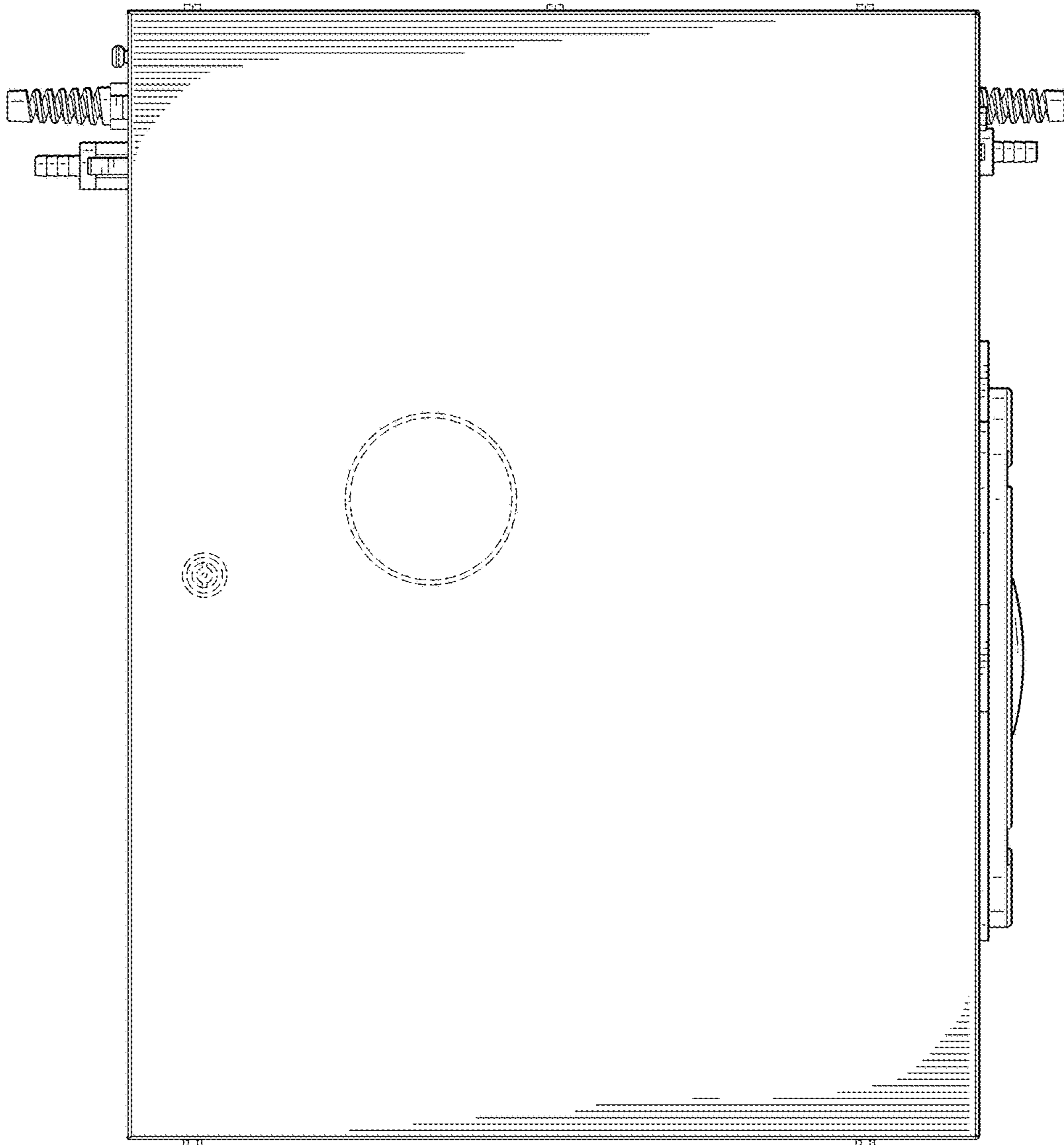


FIG. 6

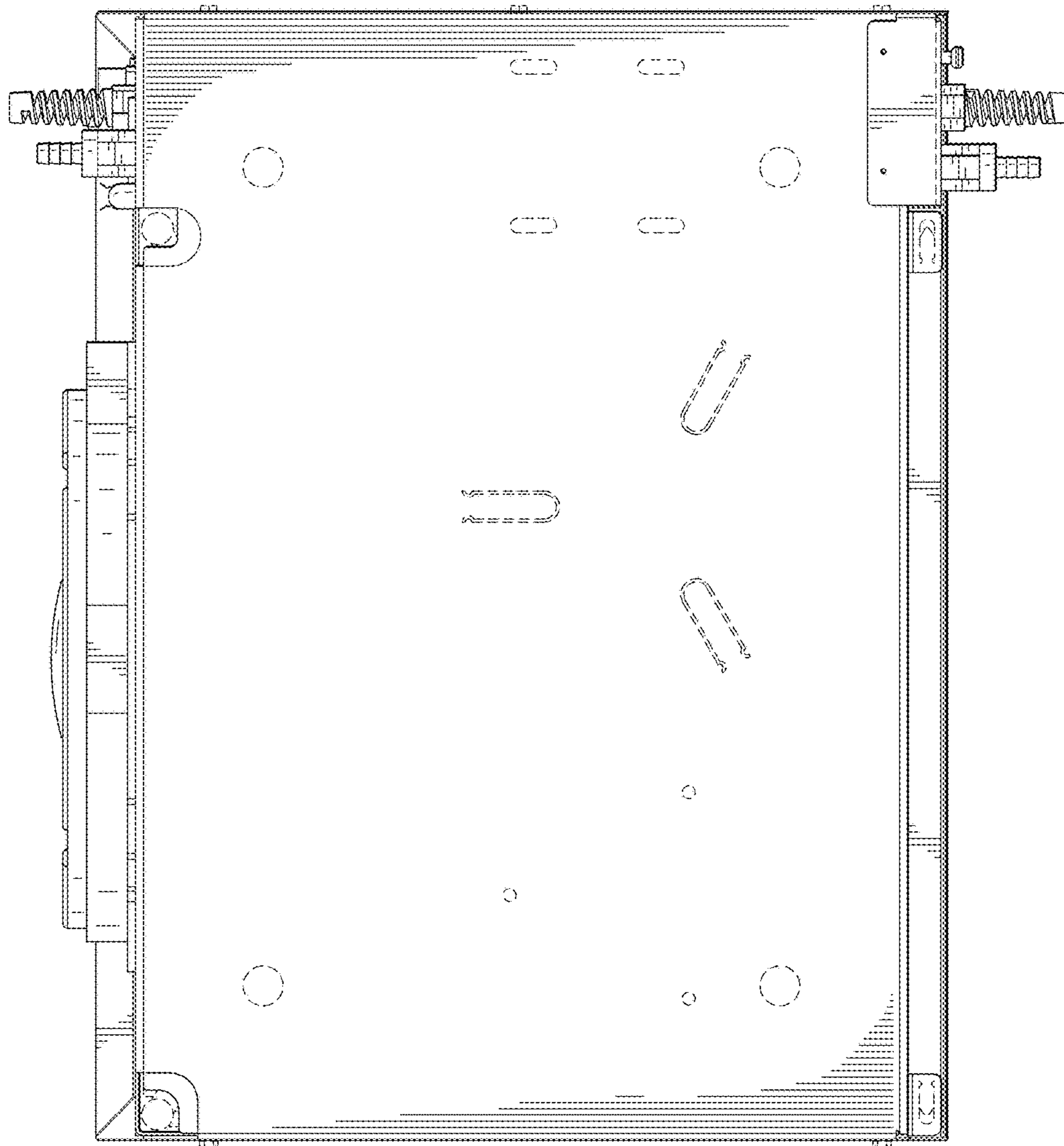


FIG. 7