



US00D834072S

(12) **United States Design Patent**
Näslund et al.

(10) **Patent No.:** **US D834,072 S**

(45) **Date of Patent:** **** Nov. 20, 2018**

(54) **LAWNMOWER**

(71) Applicant: **HUSQVARNA AB**, Huskvarna (SE)

(72) Inventors: **Jens Näslund**, Spånga (SE); **Tor Sigurdson**, Stockholm (SE)

(73) Assignee: **HUSQVARNA AB**, Huskvarna (SE)

(**) Term: **15 Years**

(21) Appl. No.: **29/617,442**

(22) Filed: **Sep. 14, 2017**

(30) **Foreign Application Priority Data**

Mar. 14, 2017 (EM) 003799626-0002

(51) **LOC (11) Cl.** **15-03**

(52) **U.S. Cl.**
USPC **D15/14**

(58) **Field of Classification Search**
USPC D15/10, 14-18; 56/12.8, 12.7, 13.4,
56/16.7, 17.5, 202, 254, 255, 294, 11.4,
56/320.1, 320.2, 249, 252, 11.9, 17.1,
56/17.4, 295; 280/43.17
CPC A01D 42/04; A01D 42/00; A01D 2101/00;
A01D 34/63; A01D 43/063
See application file for complete search history.

(56) **References Cited**

U.S. PATENT DOCUMENTS

D346,810 S * 5/1994 Schulz D15/14
D361,771 S * 8/1995 Ledingham D15/14
5,493,851 A * 2/1996 Katzer A01D 42/04
56/13.7
D375,963 S * 11/1996 Braun D15/17
5,676,117 A * 10/1997 Williams F02B 43/00
123/525
D390,576 S * 2/1998 Shimamura D15/14

5,910,091 A * 6/1999 Iida A01D 34/78
56/16.7
D421,265 S * 2/2000 Ohsumi D15/14
D422,605 S * 4/2000 Danthois D15/17
D424,070 S * 5/2000 Danthois D15/14
D426,836 S * 6/2000 Sirois D15/14
D449,840 S * 10/2001 Concari D15/14
D450,064 S * 11/2001 Concari D15/14
D456,030 S * 4/2002 Maeda D15/14
D460,973 S * 7/2002 Jong D15/14
D489,734 S * 5/2004 Lin D15/14
D497,918 S * 11/2004 Osborne D15/14
D508,923 S * 8/2005 Henssler D15/14
D508,924 S * 8/2005 Henssler D15/14
RE39,338 E * 10/2006 Stratford D15/14
D544,501 S * 6/2007 Chung Lee D15/14
D581,951 S * 12/2008 Bochmann D15/14
D610,167 S * 2/2010 Martin D15/14
D620,029 S * 7/2010 Baetica D15/14
D620,030 S * 7/2010 Baetica D15/14
D622,291 S * 8/2010 Martin D15/14

(Continued)

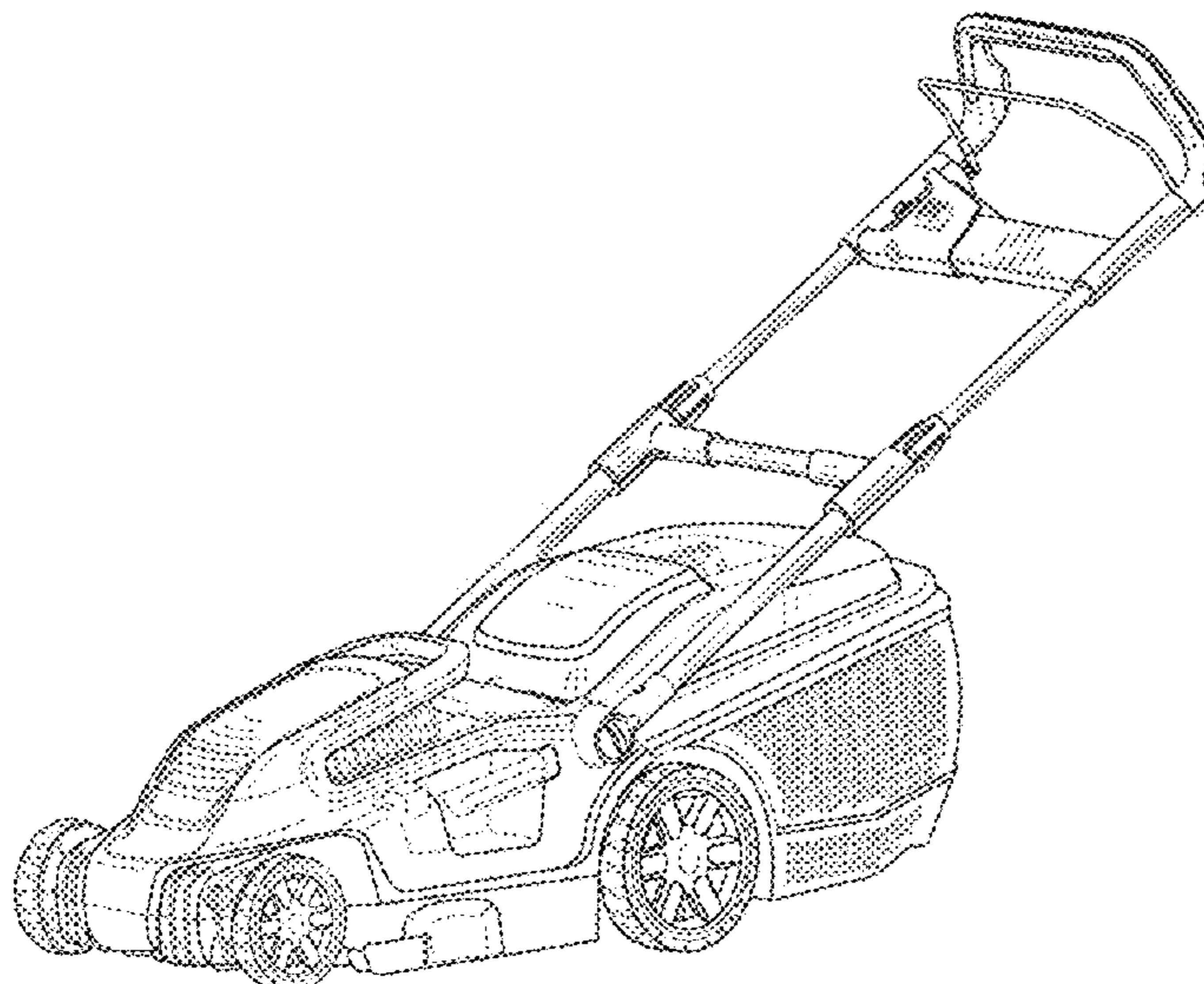
Primary Examiner — Mark Goodwin
(74) *Attorney, Agent, or Firm* — McNair Law Firm, P.A.

(57) **CLAIM**
The ornamental design for a lawnmower, as shown and described.

DESCRIPTION

FIG. 1 is a perspective view of a lawnmower in accordance with an embodiment of the present invention;
FIG. 2 is a top view of the lawnmower of FIG. 1;
FIG. 3 is a bottom view of the lawnmower of FIG. 1;
FIG. 4 is a left side view of the lawnmower of FIG. 1;
FIG. 5 is a right side view of the lawnmower of FIG. 1;
FIG. 6 is a front view of the lawnmower of FIG. 1; and,
FIG. 7 is a rear view of the lawnmower of FIG. 1.
The broken lines of FIGS. 1-7 are illustrative of the visible environmental structure of the lawnmower and form no part of the claimed design.

1 Claim, 7 Drawing Sheets



(56)

References Cited

U.S. PATENT DOCUMENTS

D627,371	S	*	11/2010	Baetica	D15/14
D627,372	S	*	11/2010	Baetica	D15/14
D628,598	S	*	12/2010	Neeley	D15/14
D646,698	S	*	10/2011	Park	D15/14
D648,354	S	*	11/2011	Hattori	D15/14
D649,166	S	*	11/2011	Thackery	D15/17
D652,846	S	*	1/2012	Stratford	D15/14
D653,265	S	*	1/2012	Stratford	D15/14
D665,823	S	*	8/2012	Hannig	D15/14
D723,068	S	*	2/2015	Qiu	D15/14
D725,155	S	*	3/2015	McKay	D15/14
D726,227	S	*	4/2015	Aglassinger	D15/14
D781,348	S	*	3/2017	Pellenc	D15/14
D784,420	S	*	4/2017	Zhang	D15/14
D785,048	S	*	4/2017	Zhang	D15/14

* cited by examiner

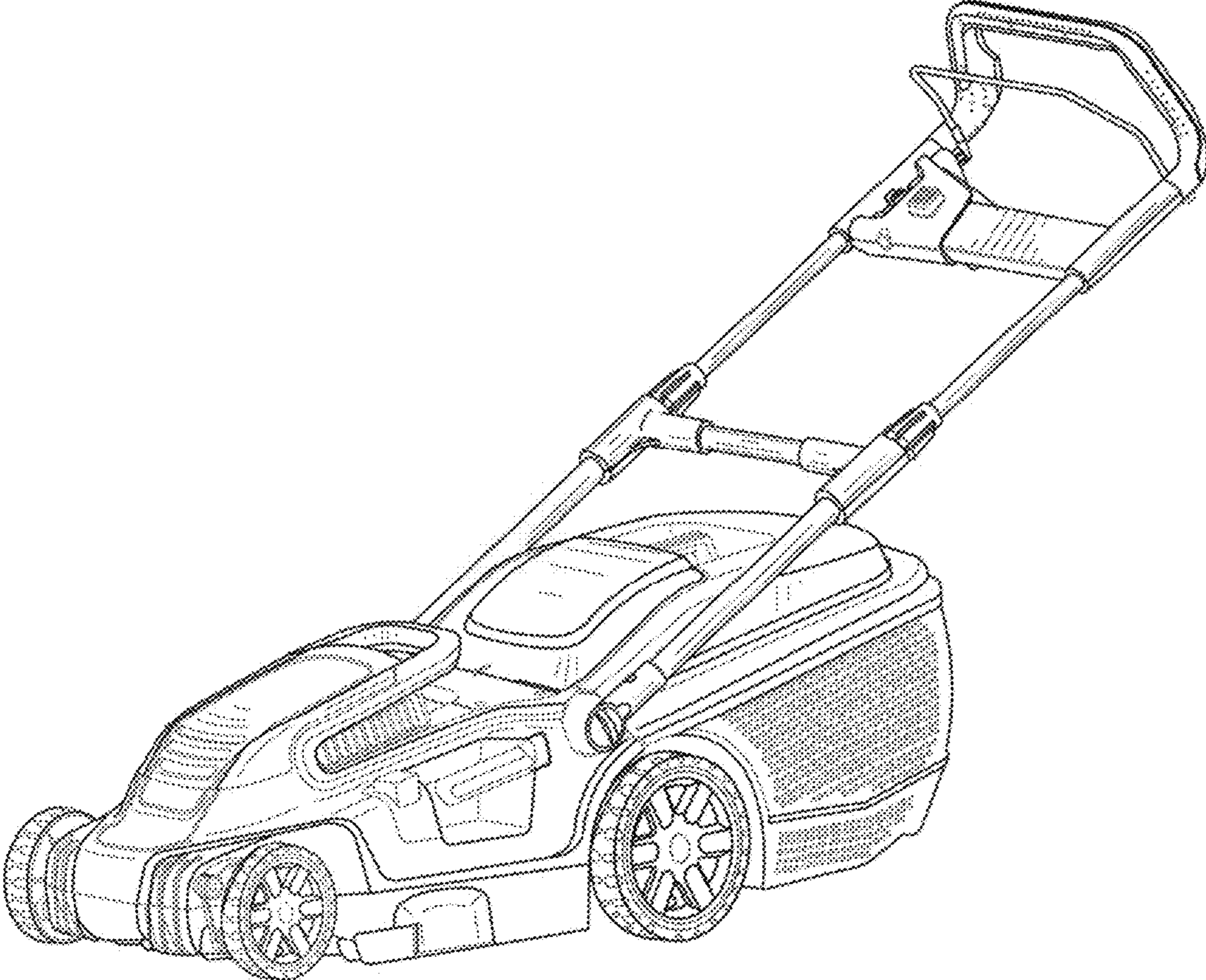


FIG. 1

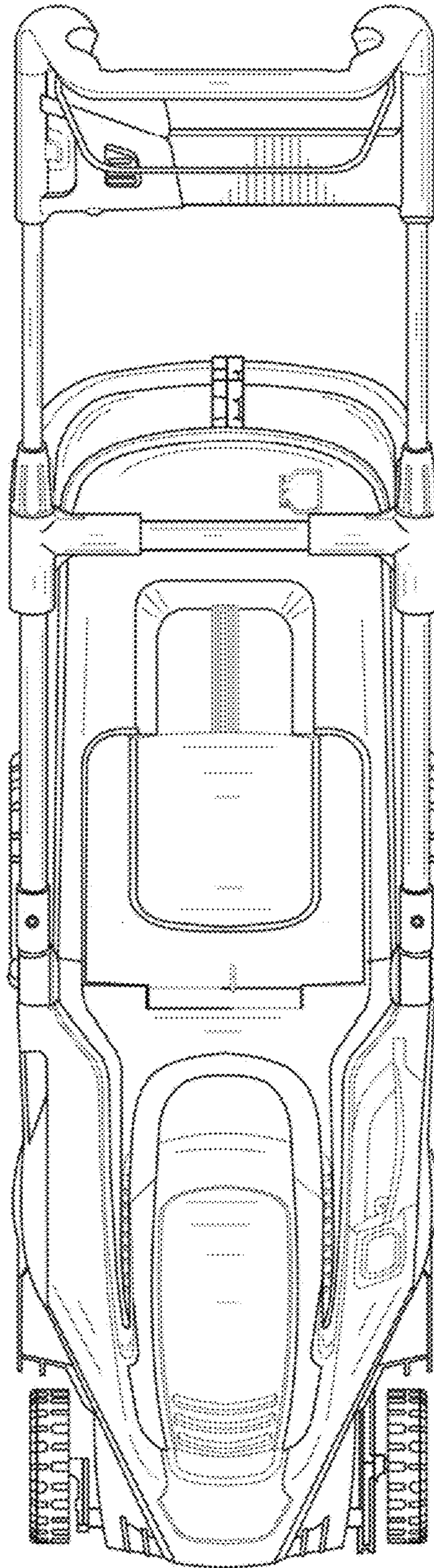


FIG. 2

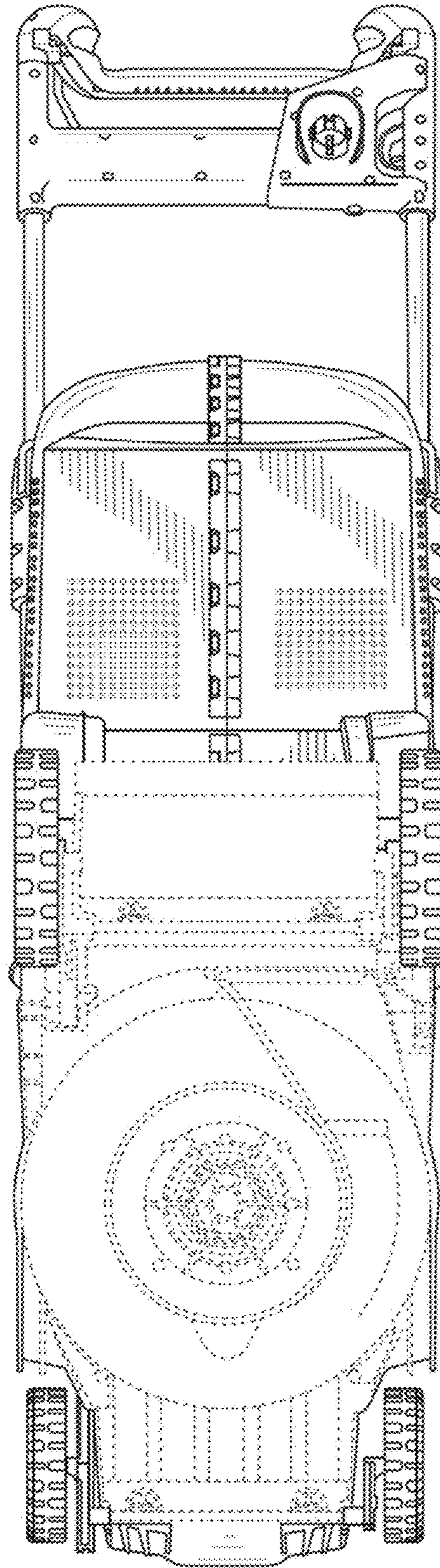


FIG. 3

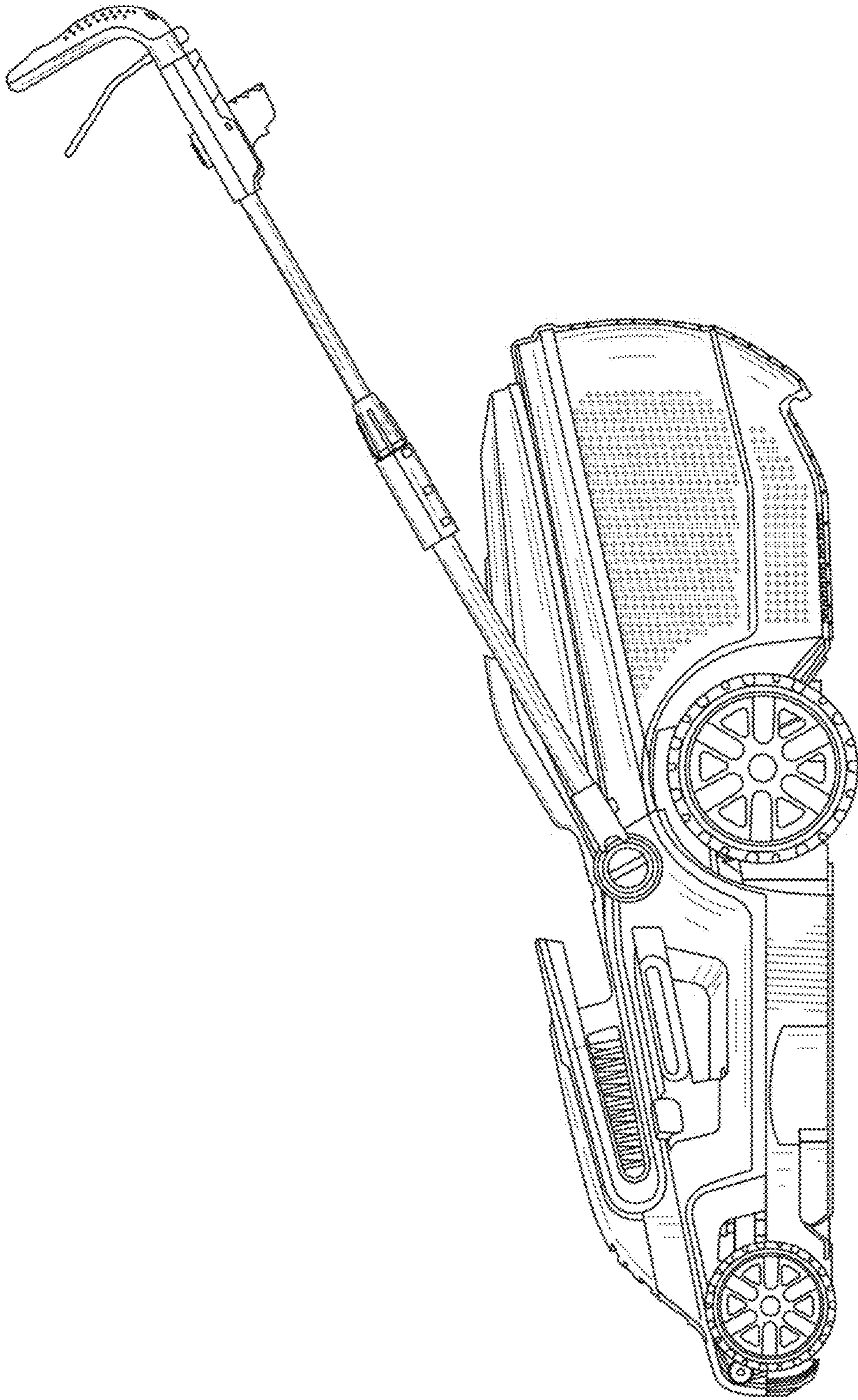


FIG. 4

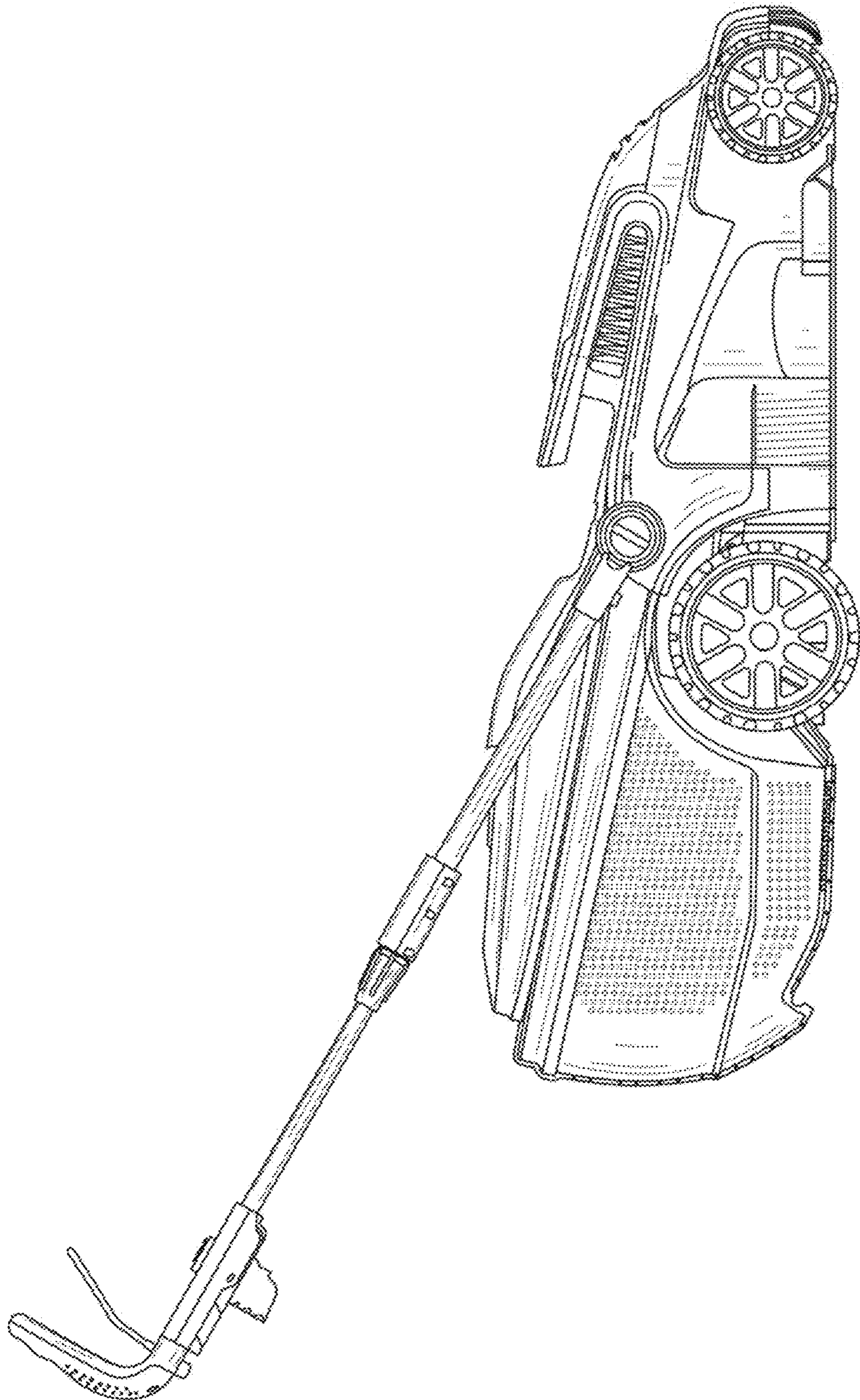


FIG. 5

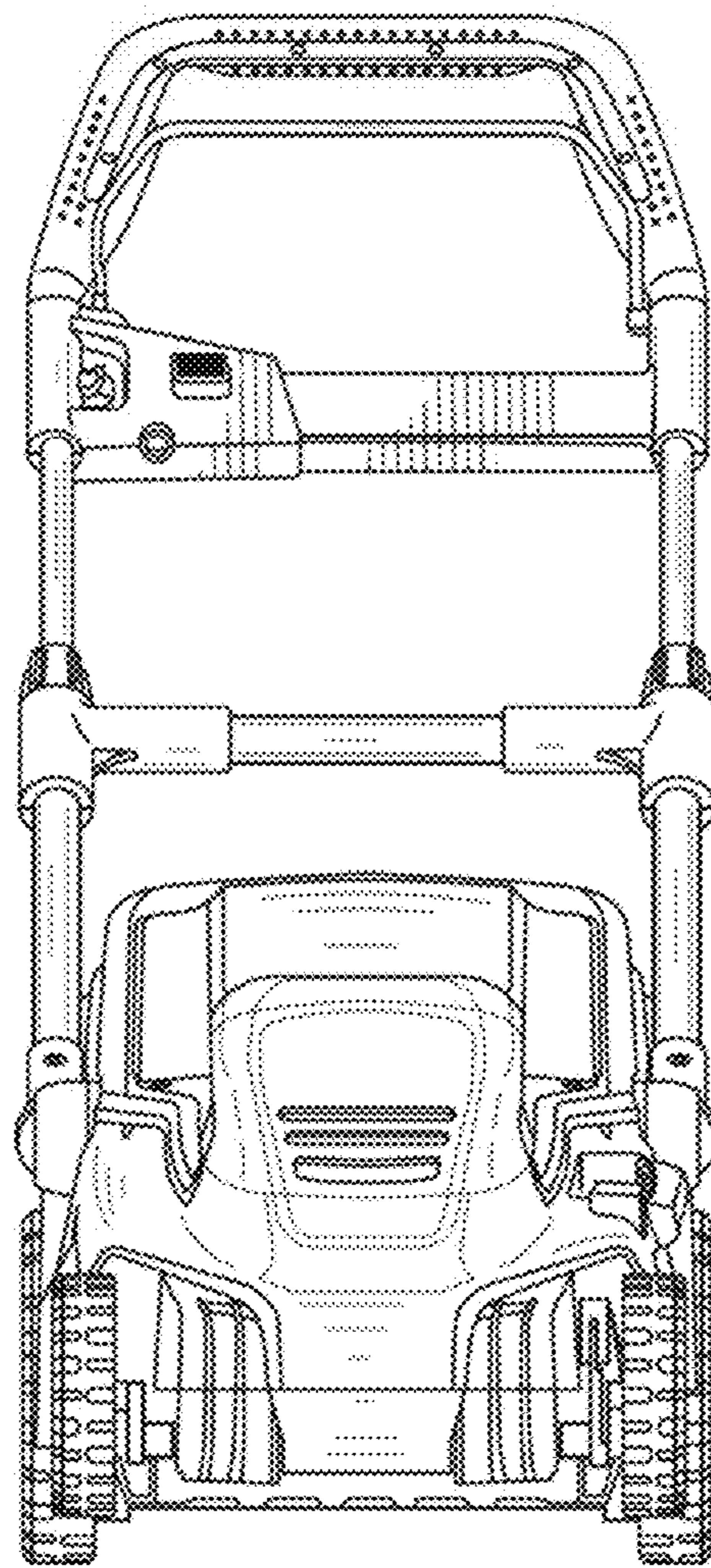


FIG. 6

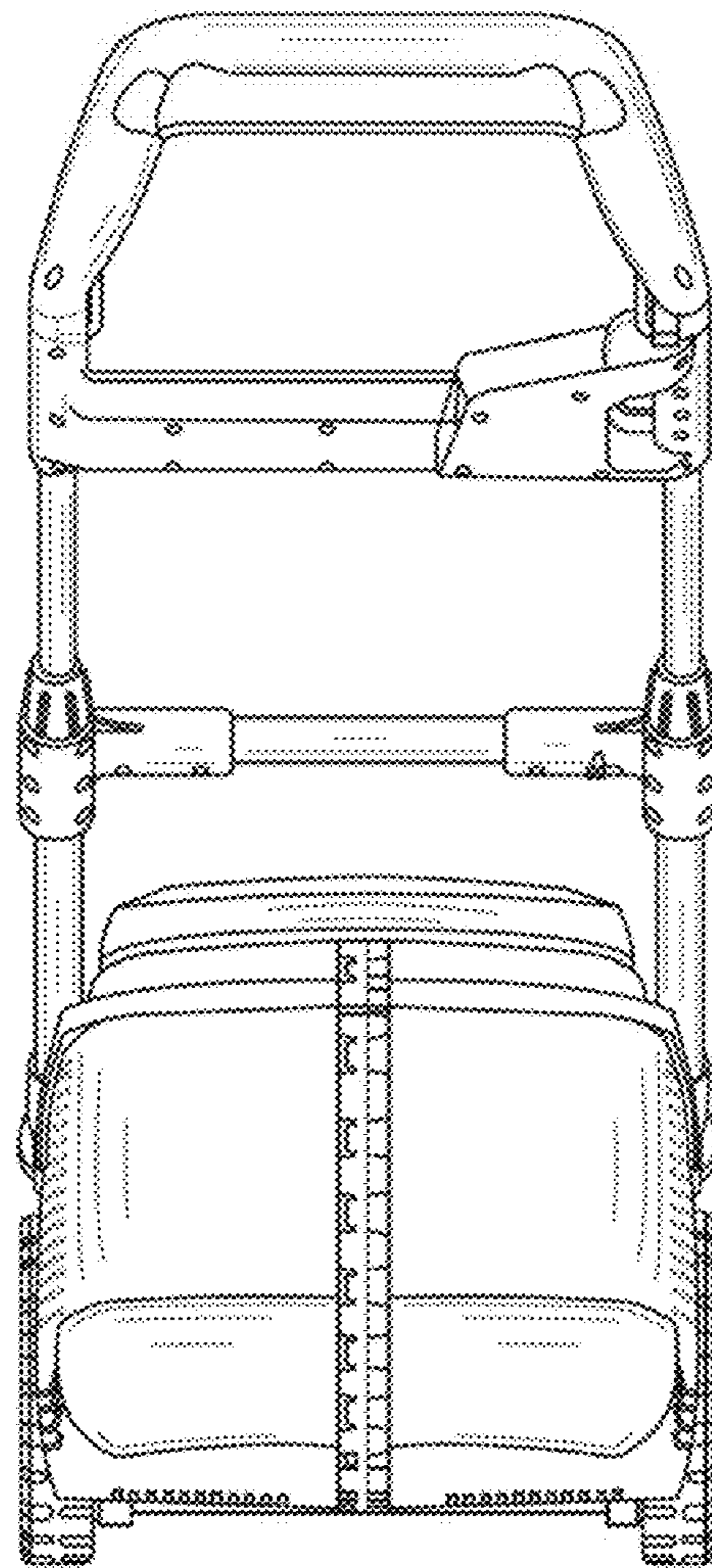


FIG. 7