

US00D834070S

(12) **United States Design Patent** (10) **Patent No.:** **US D834,070 S**  
**Mantes et al.** (45) **Date of Patent:** **\*\* Nov. 20, 2018**

(54) **INFLATOR**  
(71) Applicant: **MILWAUKEE ELECTRIC TOOL CORPORATION**, Brookfield, WI (US)  
(72) Inventors: **Jonathan M. Mantes**, Franklin, WI (US); **Ross McIntyre**, Milwaukee, WI (US); **Tin Pak Lee**, Kwai Chung (HK)  
(73) Assignee: **MILWAUKEE ELECTRIC TOOL CORPORATION**, Brookfield, WI (US)

5,540,268 A 7/1996 Mittal  
5,587,698 A 12/1996 Genna  
5,629,873 A 5/1997 Mittal et al.  
5,629,874 A 5/1997 Mittal et al.  
6,293,147 B1 9/2001 Parker et al.  
D454,884 S \* 3/2002 Christiansen ..... D15/7  
6,561,017 B1 5/2003 Claussen et al.  
6,705,360 B1 3/2004 Bonzer  
D500,326 S \* 12/2004 Fathallah ..... D15/9  
6,838,983 B1 1/2005 Wong  
6,857,311 B2 2/2005 Gonzaga  
6,865,930 B1 3/2005 Claussen et al.  
D516,090 S \* 2/2006 Gist ..... D15/9

(Continued)

(\*\*) Term: **15 Years**

(21) Appl. No.: **29/629,298**

(22) Filed: **Dec. 12, 2017**

(51) **LOC (11) Cl.** ..... **15-02**

(52) **U.S. Cl.**  
USPC ..... **D15/9**

(58) **Field of Classification Search**  
USPC ..... D15/7-9; D23/231, 232, 225; 417/60, 417/235, 265, 321, 355, 358, 363, 359, 417/410.1, 415-416, 405, 900; 60/408, 60/412; 184/26-37; 415/131, 140-147; 123/495, 509; 137/565.34; 310/43  
CPC ..... F02M 37/04; F02M 37/14; E03F 5/22  
See application file for complete search history.

(56) **References Cited**

**U.S. PATENT DOCUMENTS**

4,333,491 A 6/1982 Knubley  
4,418,737 A 12/1983 Goodell et al.  
4,431,043 A 2/1984 Goodell et al.  
4,440,451 A 4/1984 Goodell et al.  
4,456,038 A 6/1984 Gwaltney et al.  
4,470,506 A 9/1984 Goodell et al.  
4,694,409 A 9/1987 Lehman  
4,898,216 A 2/1990 Schultz et al.  
5,249,609 A 10/1993 Walker et al.  
5,409,045 A 4/1995 Walker et al.

**FOREIGN PATENT DOCUMENTS**

CN 2455505 10/2001  
CN 103600709 2/2014

(Continued)

*Primary Examiner* — Ralf Seifert  
(74) *Attorney, Agent, or Firm* — Michael Best & Friedrich LLP

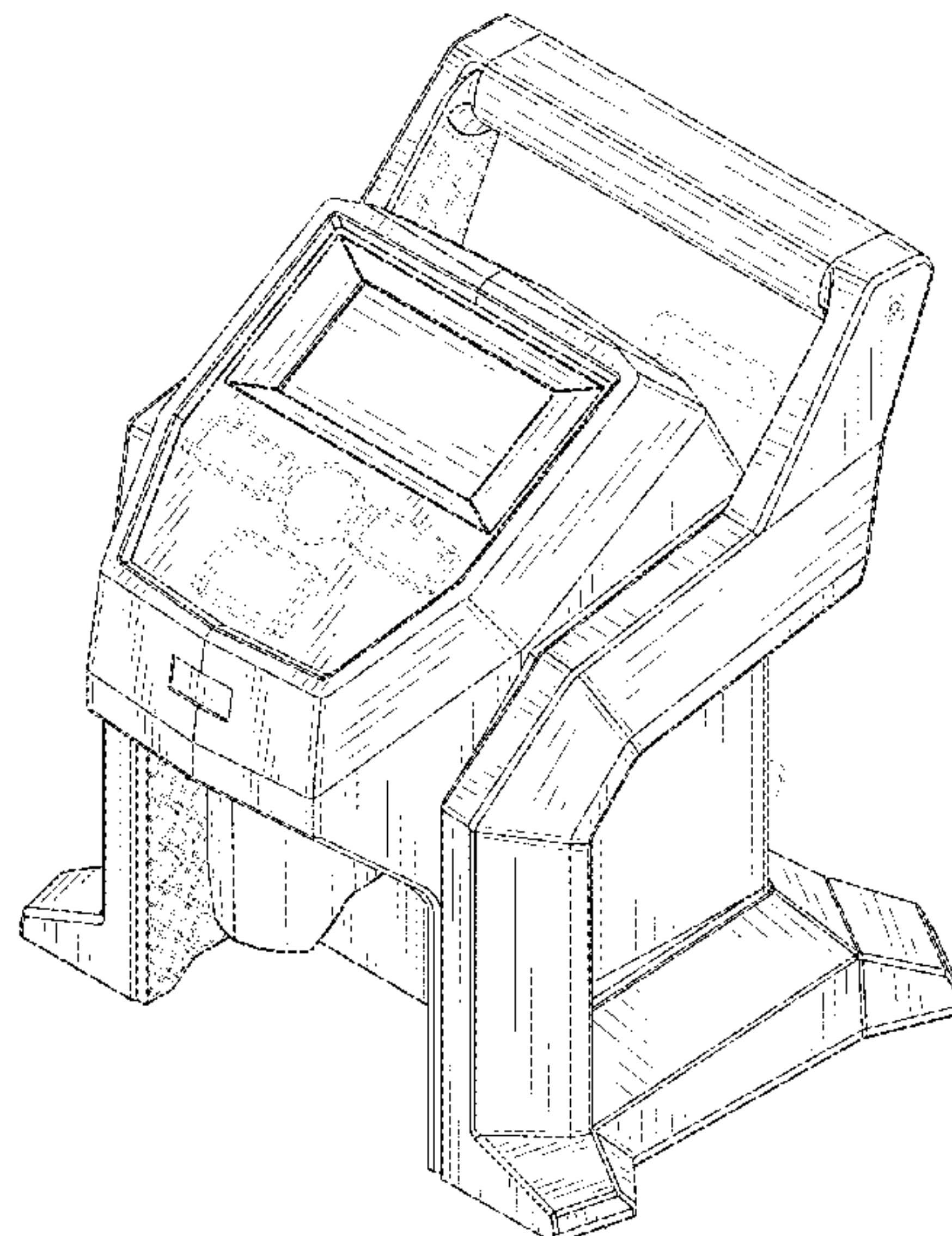
(57) **CLAIM**

We claim the ornamental design for an inflator, as shown and described.

**DESCRIPTION**

FIG. 1 is a front perspective view of an inflator in accordance with an embodiment of the present invention. FIG. 2 is a left side view of the inflator of FIG. 1. FIG. 3 is a right side view of the inflator of FIG. 1. FIG. 4 is a front view of the inflator of FIG. 1. FIG. 5 is a rear view of the inflator of FIG. 1. FIG. 6 is a top view of the inflator of FIG. 1; and, FIG. 7 is a bottom view of the inflator of FIG. 1. The portions of the inflator shown in broken lines are included for the purpose of illustrating environment and form no part of the claimed design.

**1 Claim, 7 Drawing Sheets**



(56)

**References Cited**

U.S. PATENT DOCUMENTS

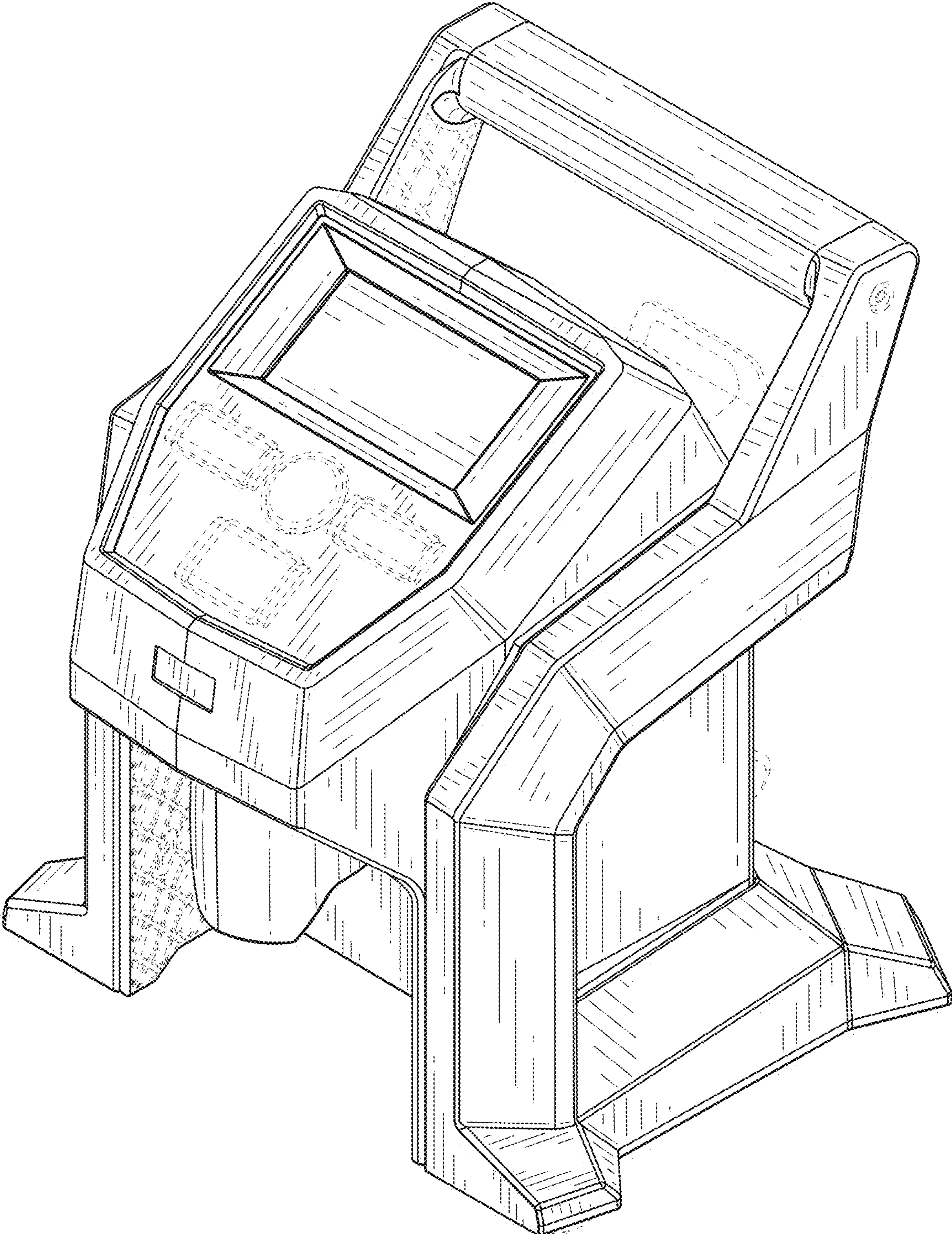
7,032,611	B1	4/2006	Sheng	
7,331,221	B2	2/2008	Wise et al.	
7,434,833	B2	10/2008	Kore	
D589,985	S *	4/2009	Steinfels .....	D15/9
7,556,478	B2	7/2009	Klein et al.	
D609,634	S *	2/2010	Daniels .....	D13/107
D612,403	S *	3/2010	Picaza Ibarondo .....	D15/7
7,706,930	B2	4/2010	Corniot	
8,191,586	B2	6/2012	Huval et al.	
D668,683	S *	10/2012	Balma .....	D15/9
D700,626	S *	3/2014	Zhangyan .....	D15/7
8,887,769	B1	11/2014	Ohm et al.	
D718,790	S *	12/2014	Yang .....	D15/9
D749,643	S *	2/2016	Craig .....	D15/9
D754,755	S *	4/2016	Suthmann .....	D15/9
D769,944	S *	10/2016	Sheedy .....	D15/9
D774,554	S *	12/2016	Imsand .....	D15/7
D781,921	S *	3/2017	Adachi .....	D15/7
D792,472	S *	7/2017	Kirkpatrick .....	D15/7
D792,473	S *	7/2017	Imsand .....	D15/7
D811,324	S *	2/2018	Inskeep .....	D13/107
2008/0266073	A1	10/2008	Tu et al.	
2012/0283984	A1	11/2012	Peng	
2014/0166118	A1	6/2014	Stephens et al.	
2017/0130728	A1	5/2017	Liu	

FOREIGN PATENT DOCUMENTS

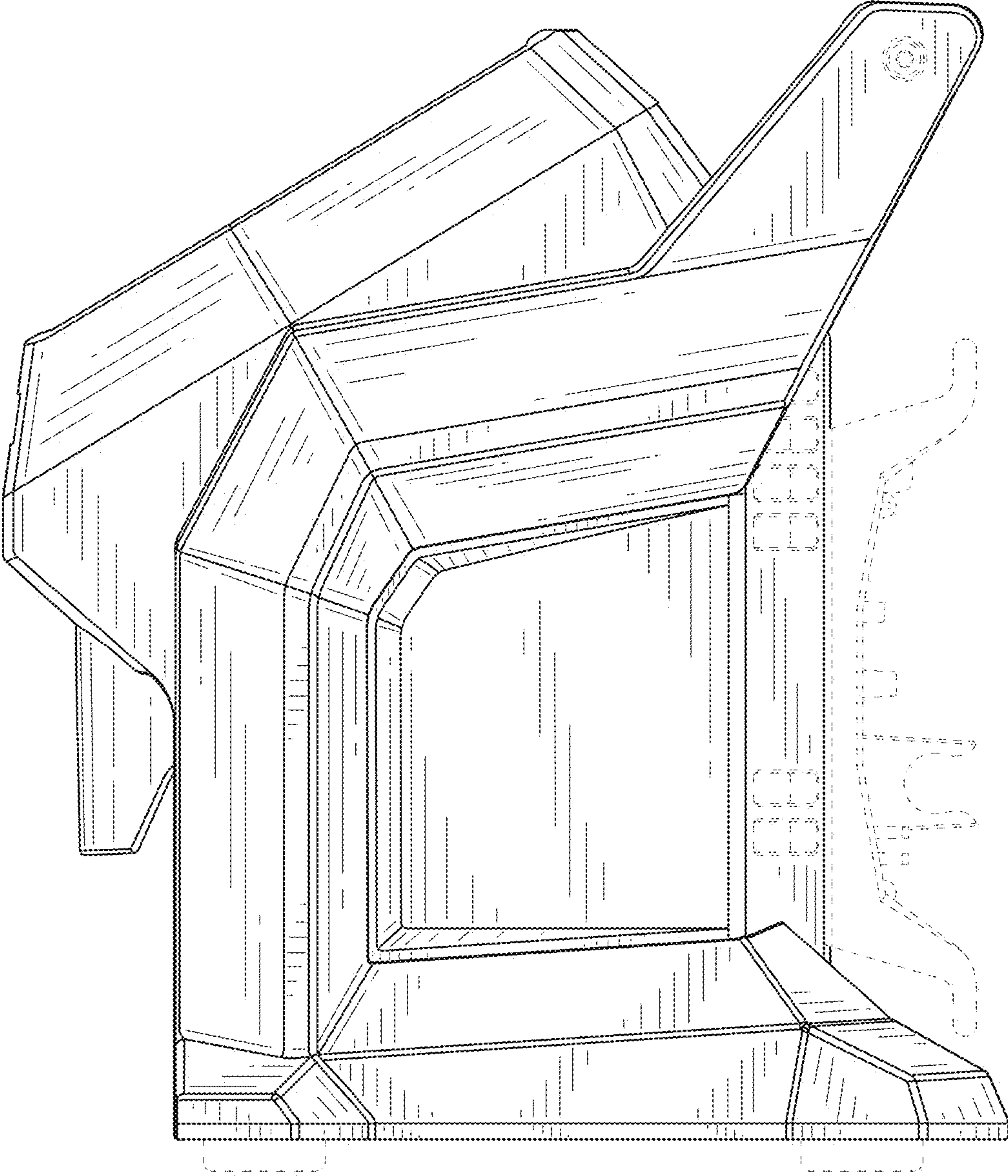
CN	104354684	6/2016
DE	4113563	10/1992
DE	10360764	10/2005

\* cited by examiner



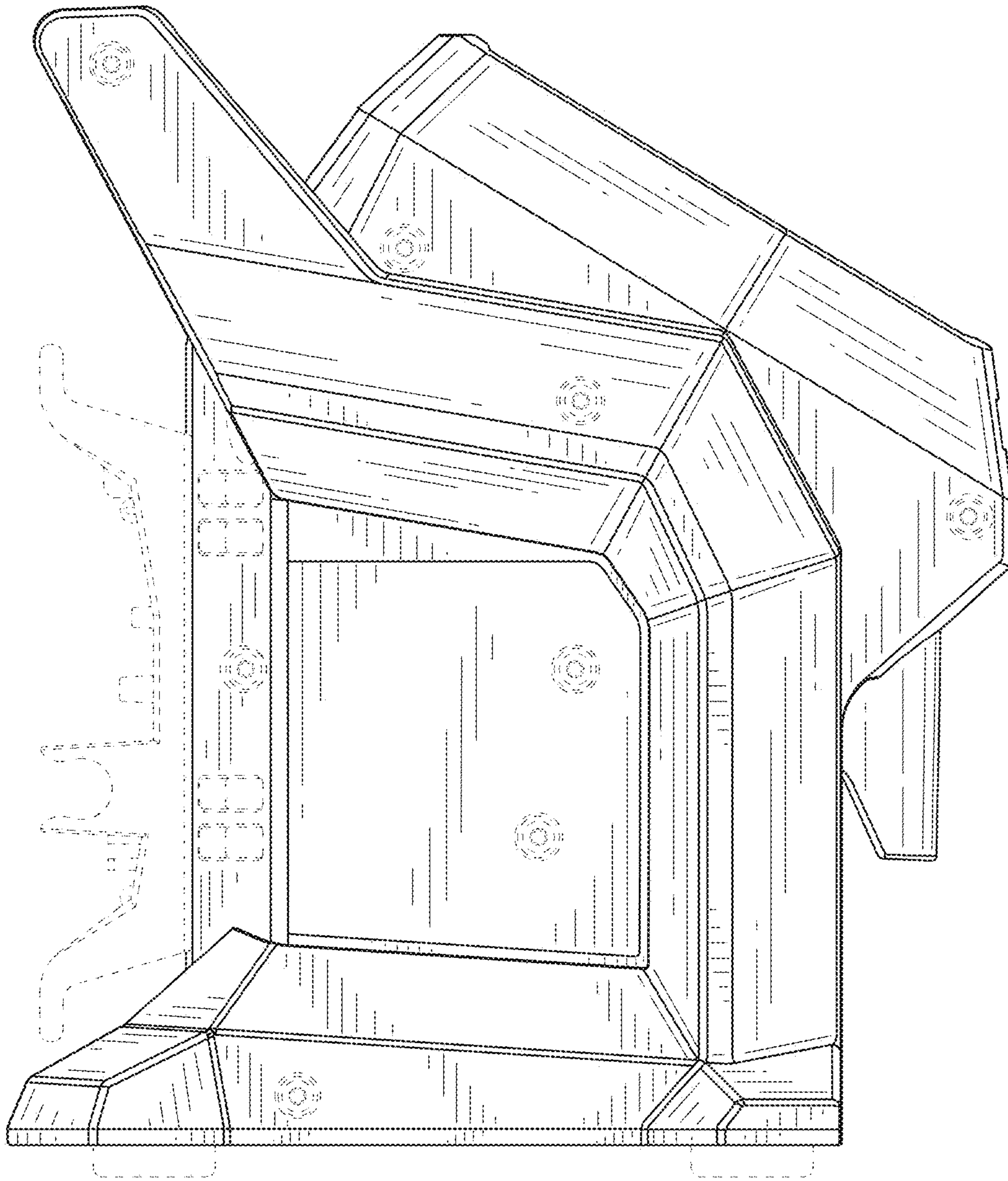


**FIG. 1**

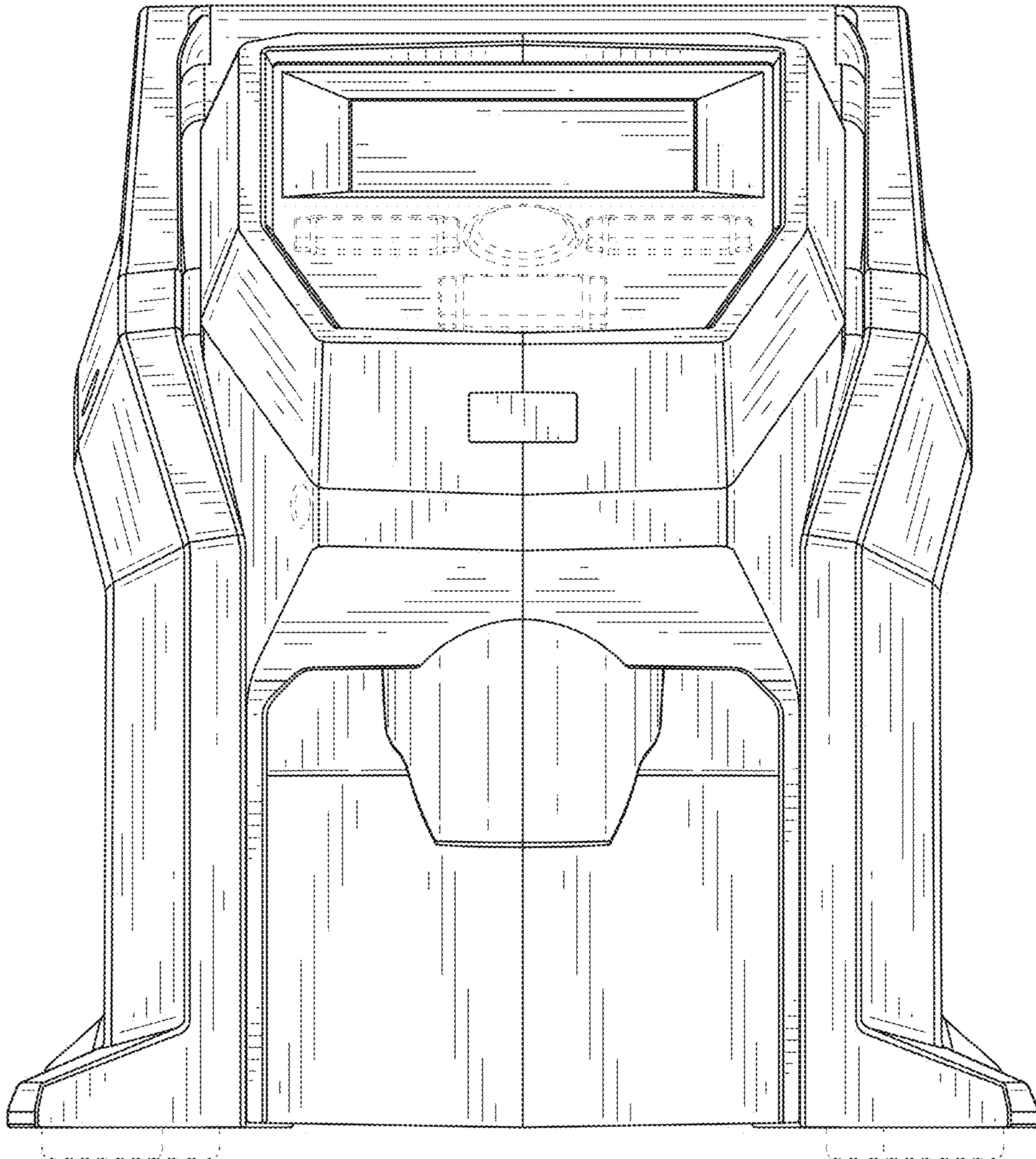


**FIG. 2**

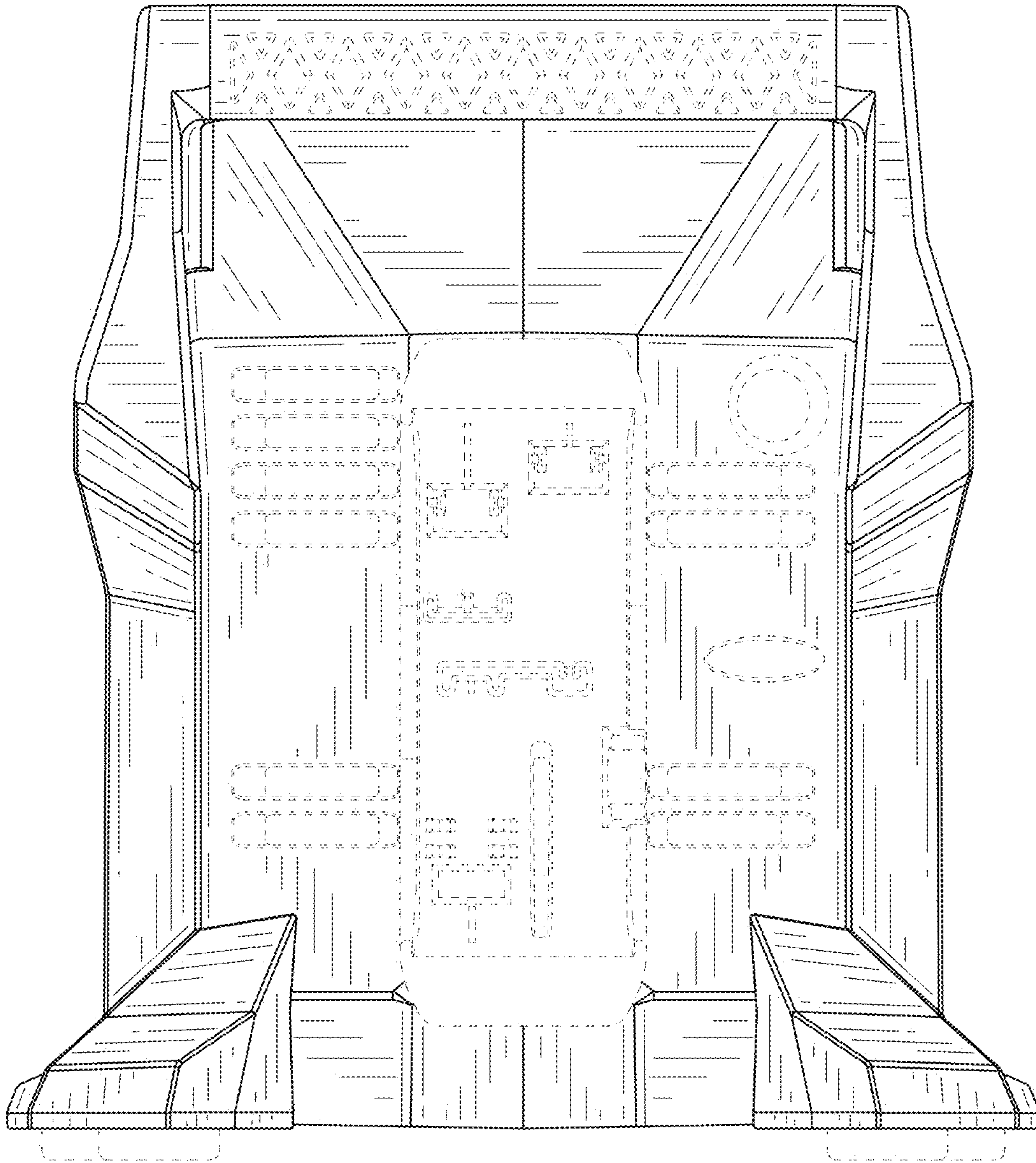




**FIG. 3**

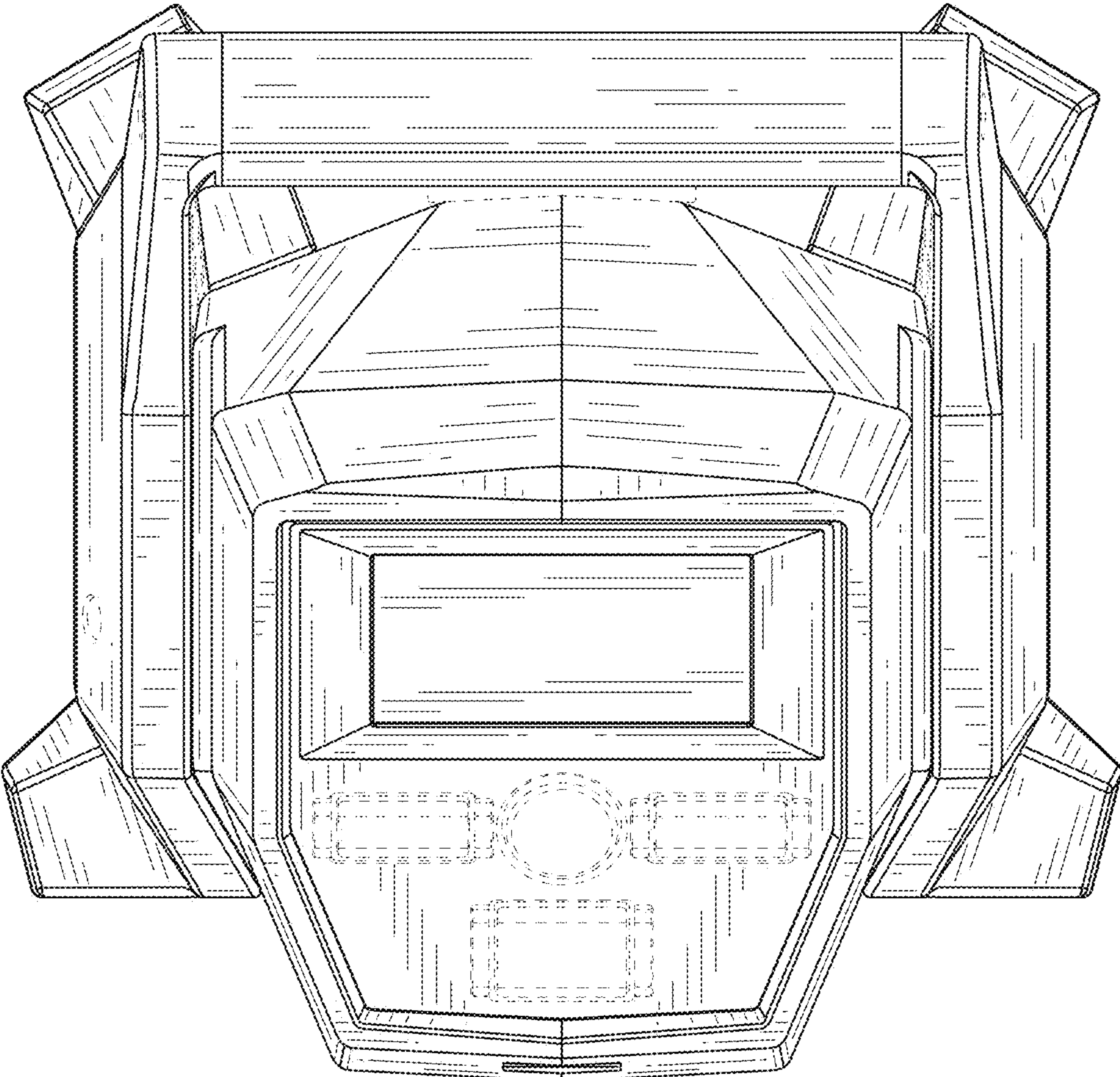


**FIG. 4**



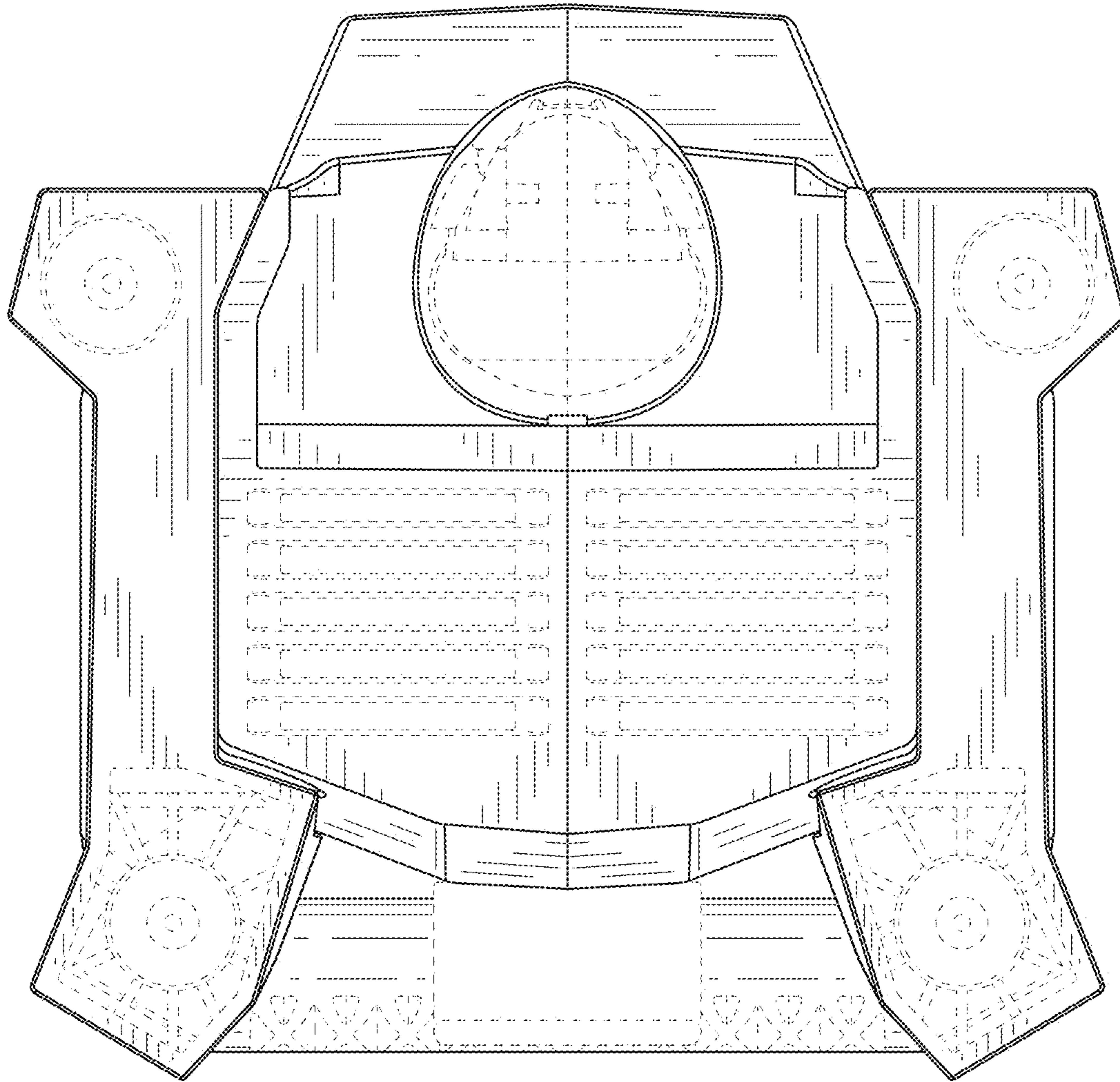
**FIG. 5**





**FIG. 6**





**FIG. 7**