



US00D834069S

(12) **United States Design Patent**  
**Kan**

(10) **Patent No.:** **US D834,069 S**

(45) **Date of Patent:** **\*\* Nov. 20, 2018**

(54) **TIRE REPAIR KIT**

(71) Applicant: **Wong Wai Kan**, Shanghai (CN)

(72) Inventor: **Wong Wai Kan**, Shanghai (CN)

(73) Assignee: **THE YOKOHAMA RUBBER CO., LTD.**, Minato-ku, Tokyo (JP)

(\*\*) Term: **15 Years**

(21) Appl. No.: **29/595,117**

(22) Filed: **Feb. 24, 2017**

(30) **Foreign Application Priority Data**

Aug. 25, 2016 (CN) ..... 2016 3 0424028

(51) **LOC (11) Cl.** ..... **15-02**

(52) **U.S. Cl.**  
USPC ..... **D15/9**

(58) **Field of Classification Search**  
USPC ..... D15/7-9, 199; D23/231, 232, 225;  
417/60, 235, 265, 321, 355, 358, 363,  
417/359, 410.1, 415-416, 405, 900, 269,  
417/539; 60/408, 412; 184/26-37;  
415/140-147; 123/495, 509; 137/565.34;  
D10/86  
CPC ..... F02M 37/04; F02M 37/14; F04B 53/92;  
F04B 1/005; F04D 13/06; F04D 29/22;  
F04D 29/046; F04D 29/2266  
See application file for complete search history.

(56) **References Cited**

**U.S. PATENT DOCUMENTS**

D375,505 S \* 11/1996 Wong ..... D15/9  
D428,020 S \* 7/2000 Bonzer ..... D15/7

D515,103 S \* 2/2006 Chou ..... D15/9  
D534,447 S \* 1/2007 Marini ..... D10/86  
D544,895 S \* 6/2007 Izumoto ..... D15/199  
D557,299 S \* 12/2007 Marini ..... D15/199  
D613,320 S \* 4/2010 Marini ..... D15/199  
D645,056 S \* 9/2011 Marini ..... D15/9  
D657,383 S \* 4/2012 Wang ..... D15/7  
8,146,622 B2 \* 4/2012 Guan ..... B29C 73/166  
141/114  
D663,747 S \* 7/2012 Marini ..... D15/9

\* cited by examiner

*Primary Examiner* — Ralf Seifert

(74) *Attorney, Agent, or Firm* — Banner & Witcoff, Ltd.

(57) **CLAIM**

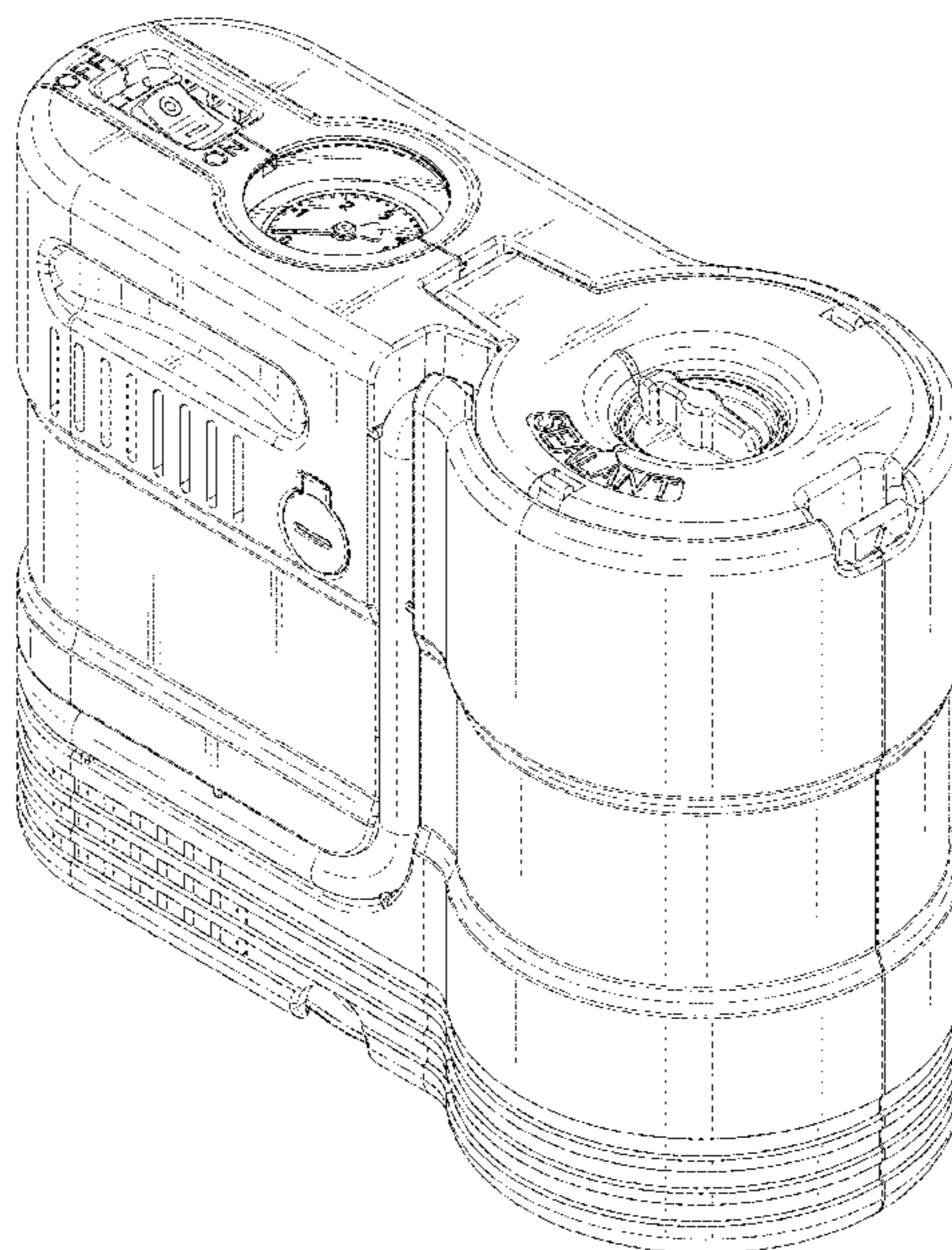
The ornamental design for a tire repair kit, as shown and described.

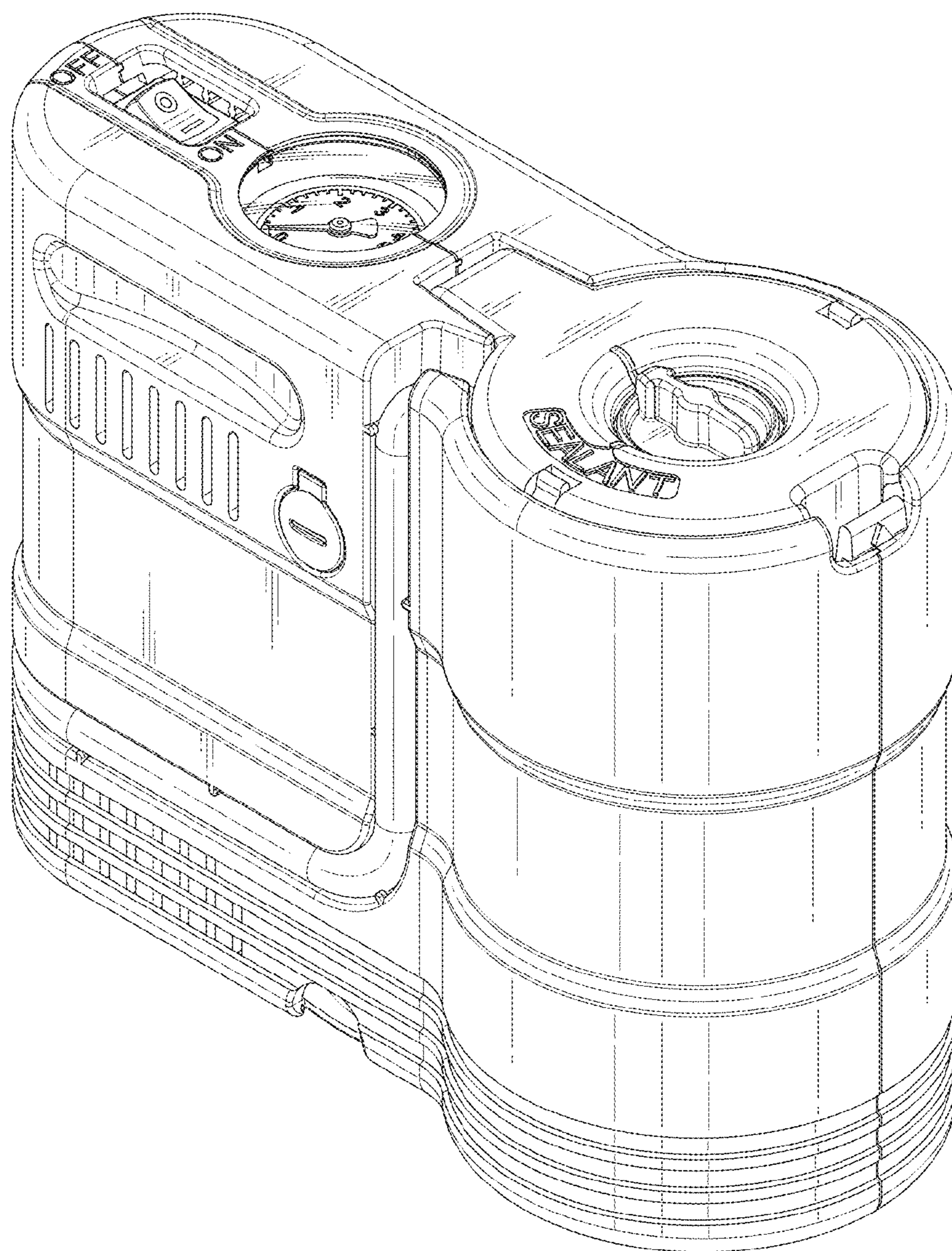
**DESCRIPTION**

FIG. 1 is a front-top perspective view showing a tire repair kit according to a first embodiment showing my design; FIG. 2 is a rear-top perspective view thereof; FIG. 3 is a front-bottom perspective view thereof; FIG. 4 is a rear-bottom perspective view thereof; FIG. 5 is a front view thereof; FIG. 6 is a rear view thereof; FIG. 7 is a left side view thereof; FIG. 8 is a right side view thereof; FIG. 9 is a top view thereof; and, FIG. 10 is a bottom view thereof.

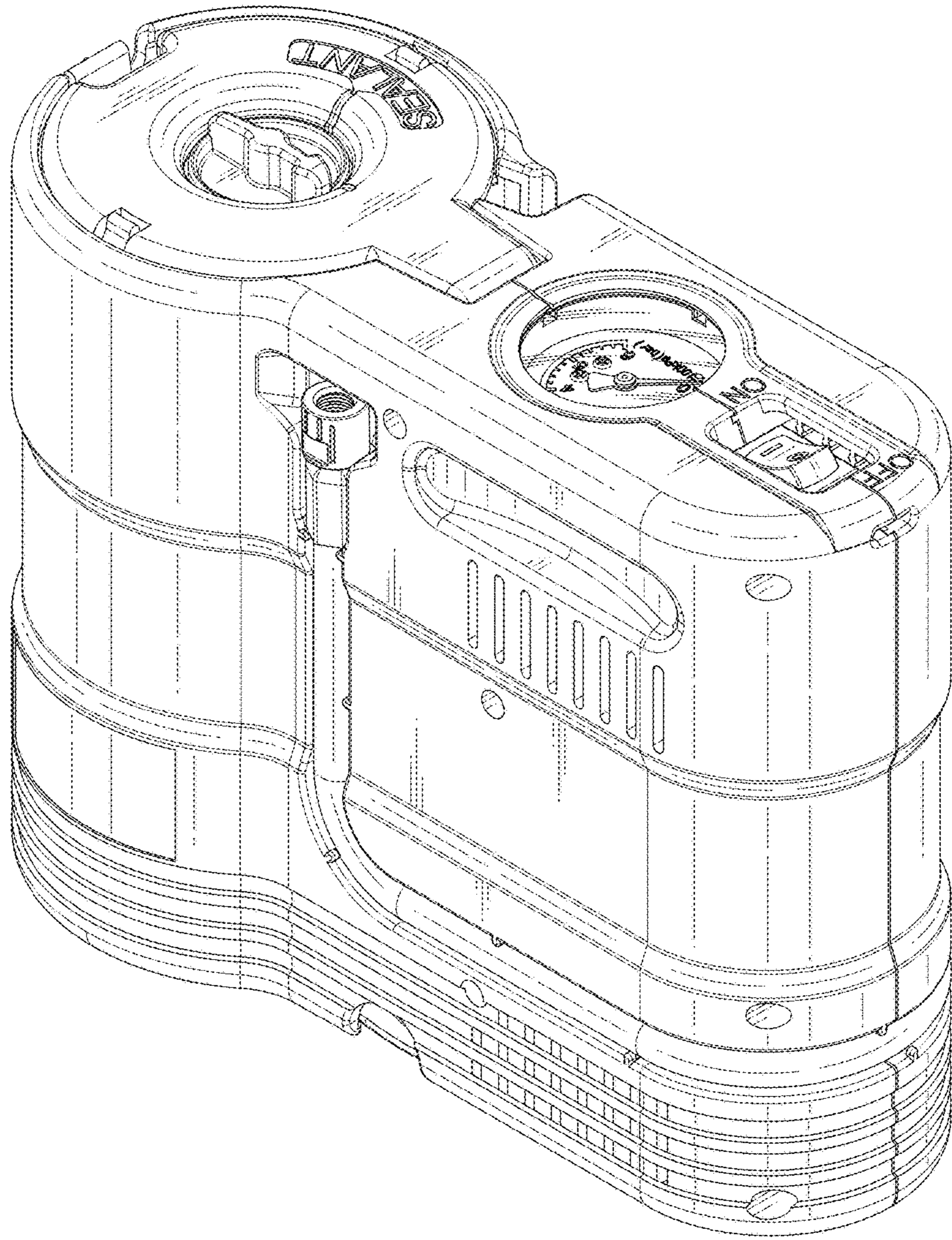
The broken lines are included for the purpose of illustrating portions of the tire repair kit that form no part of the claimed design.

**1 Claim, 8 Drawing Sheets**





**FIG. 1**



**FIG. 2**

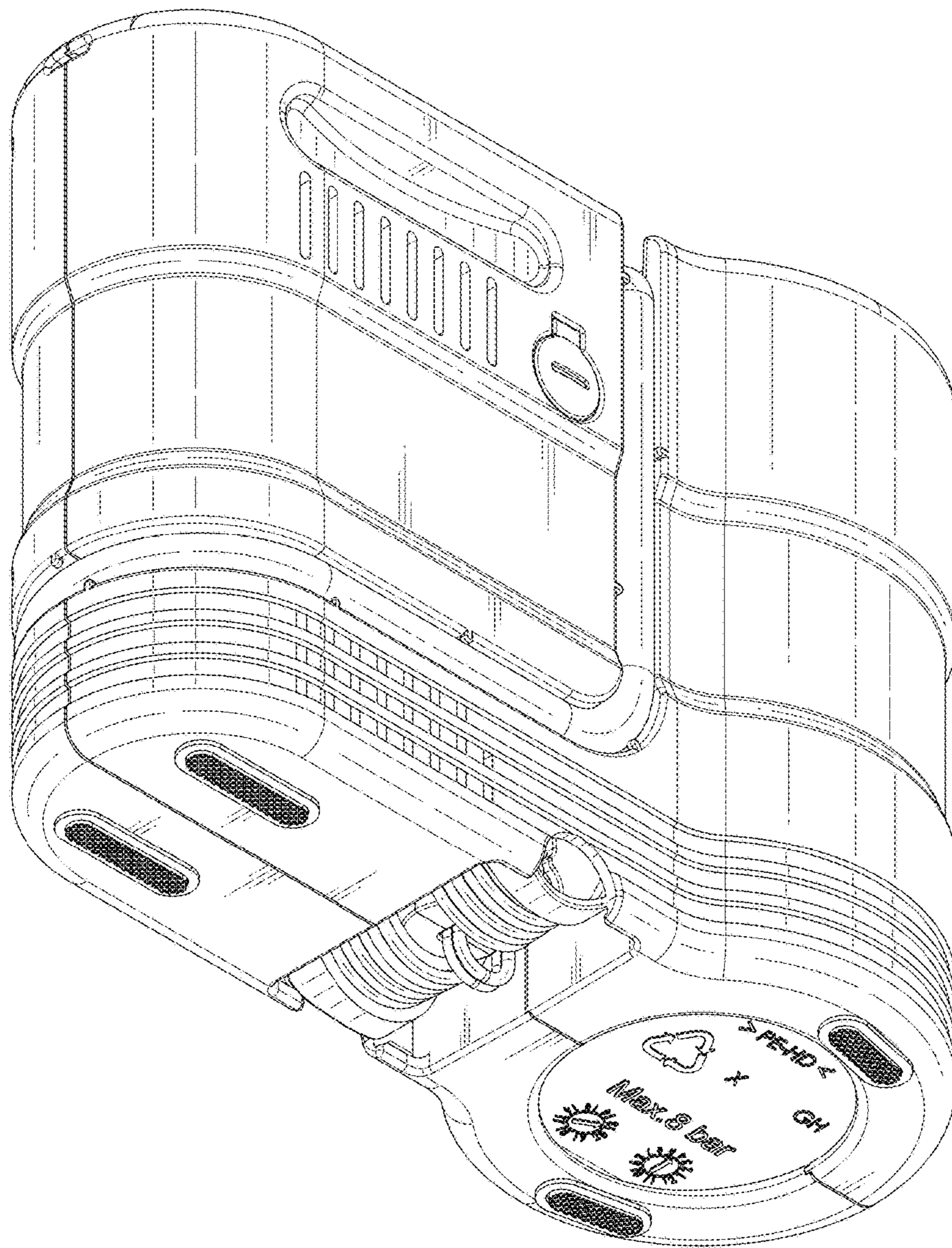


FIG. 3

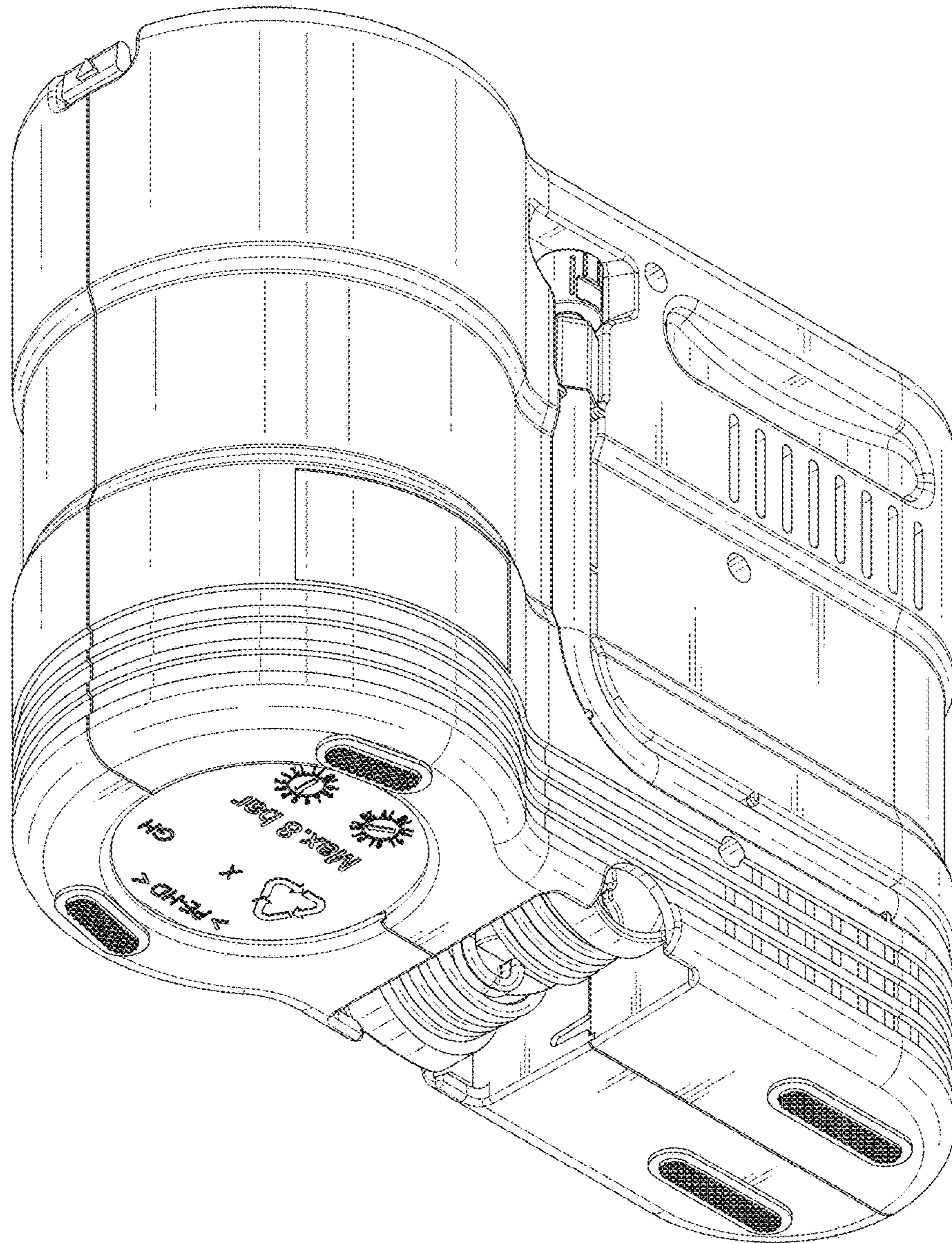


FIG. 4

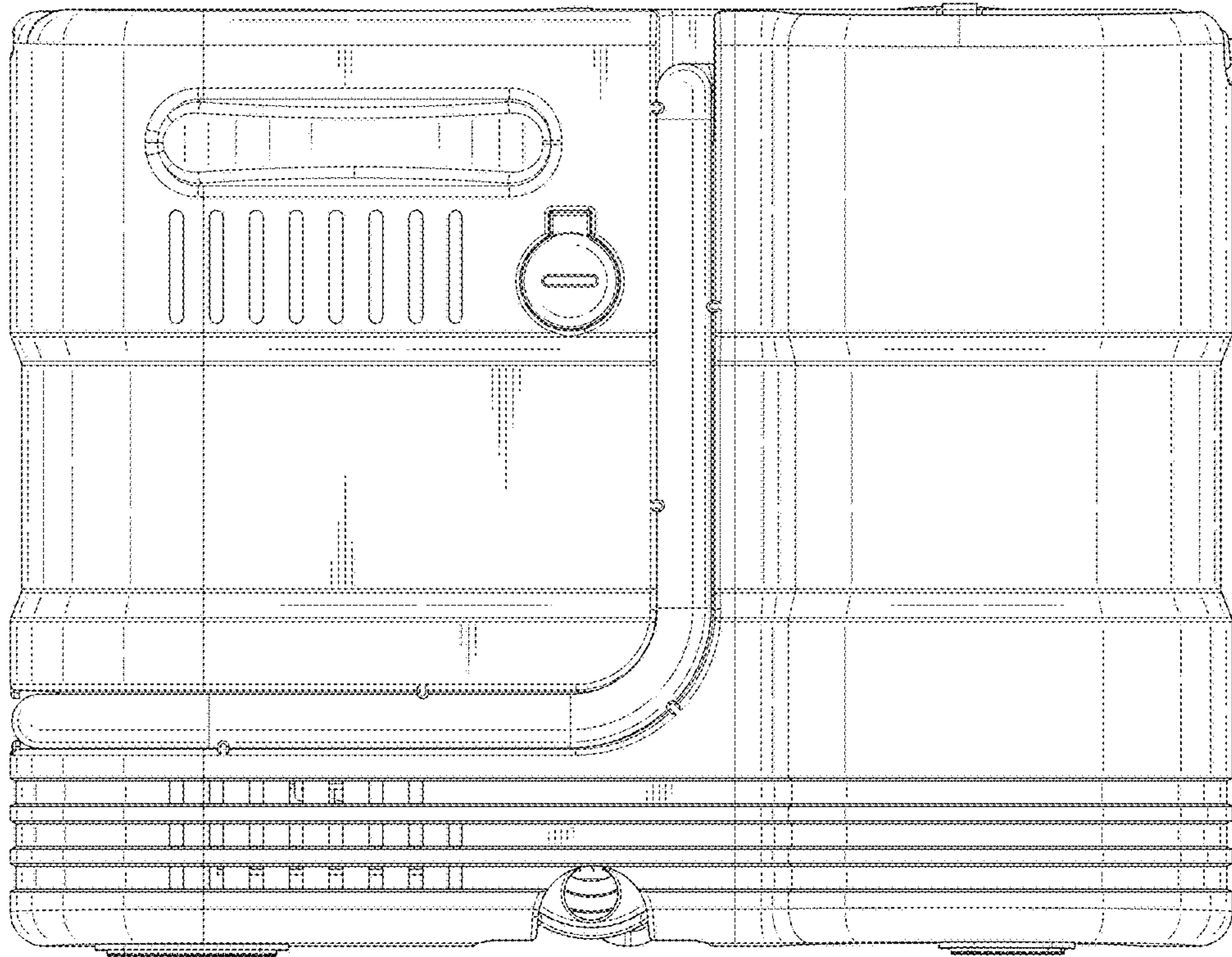


FIG. 5

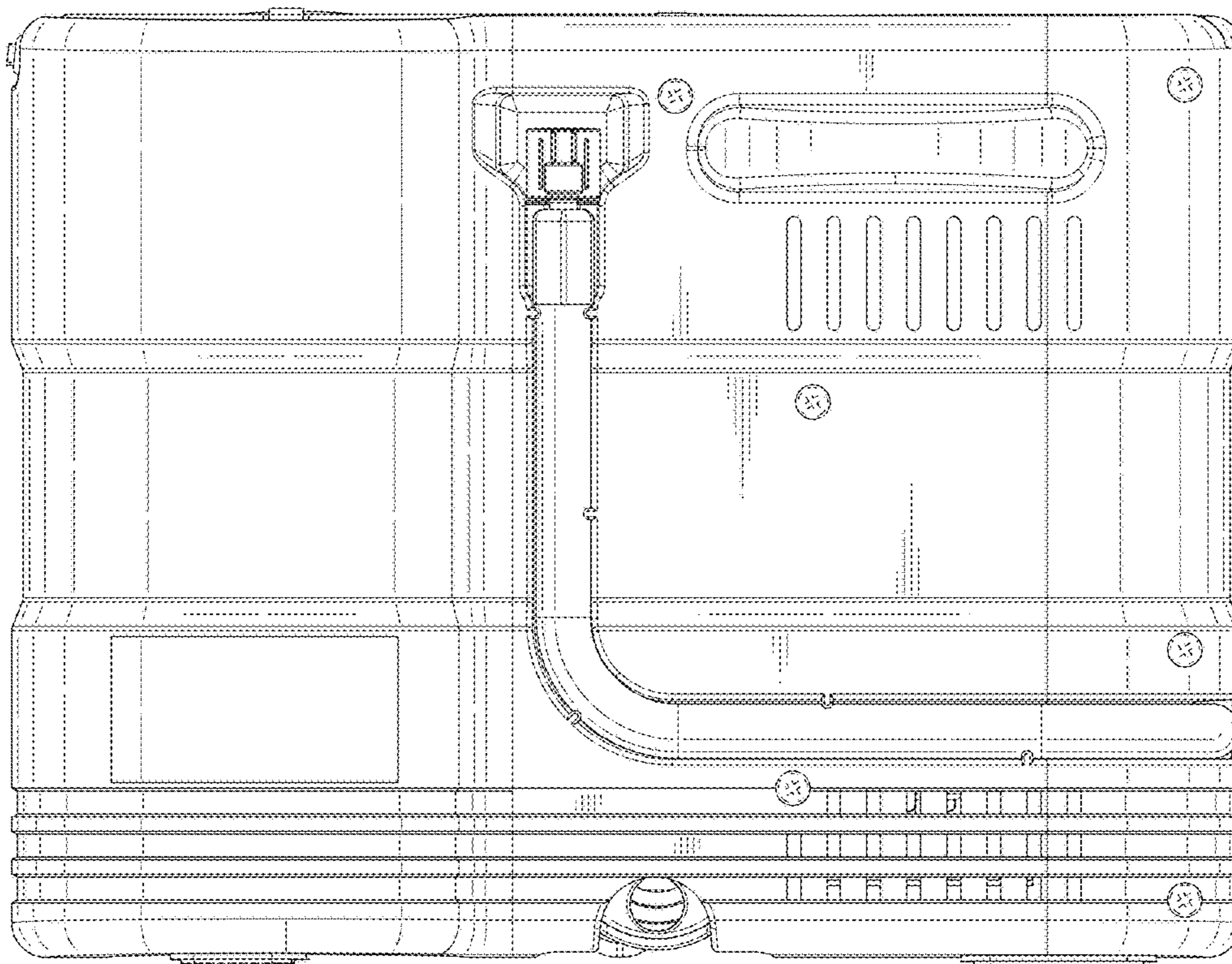


FIG. 6

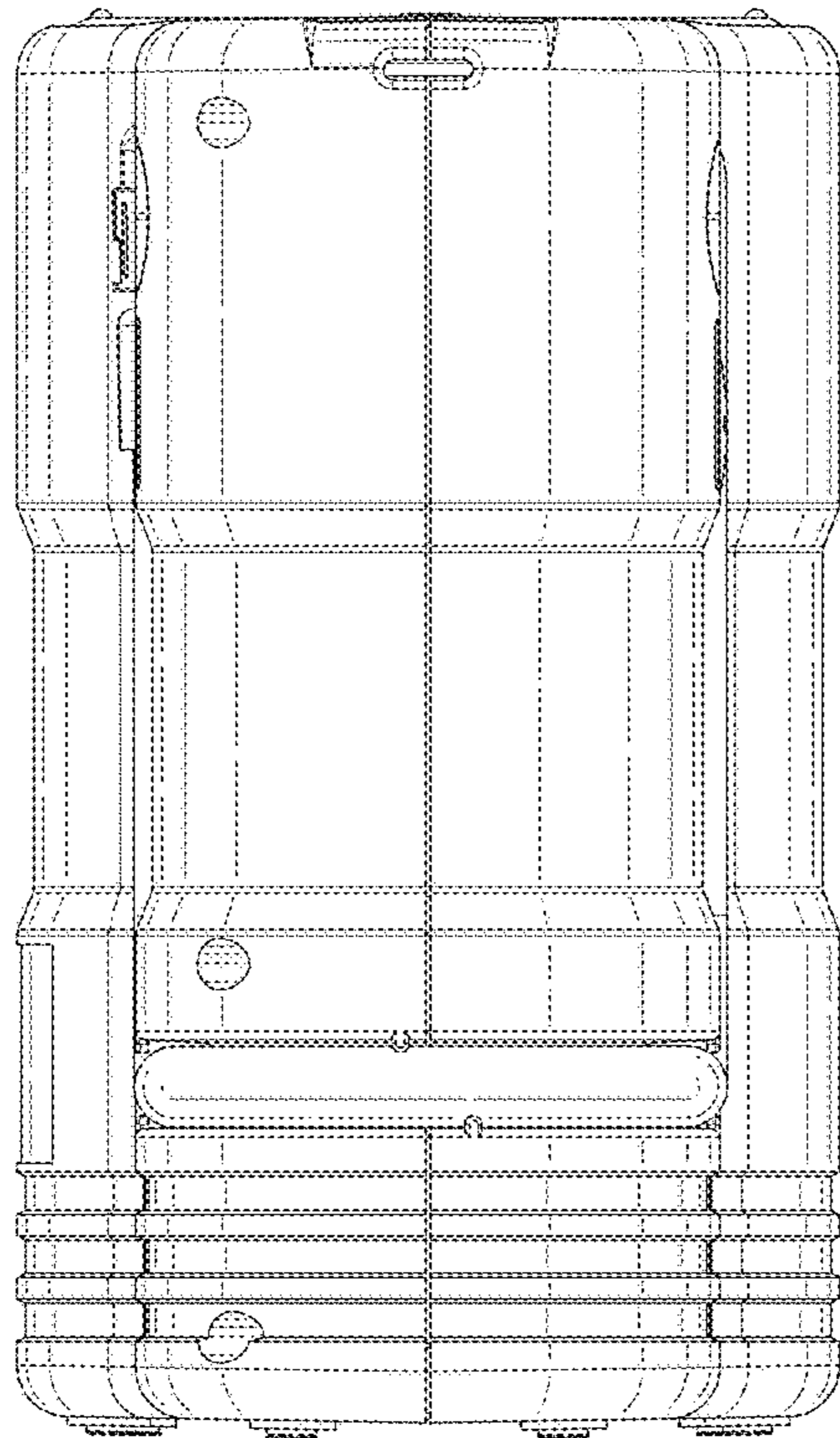


FIG. 7

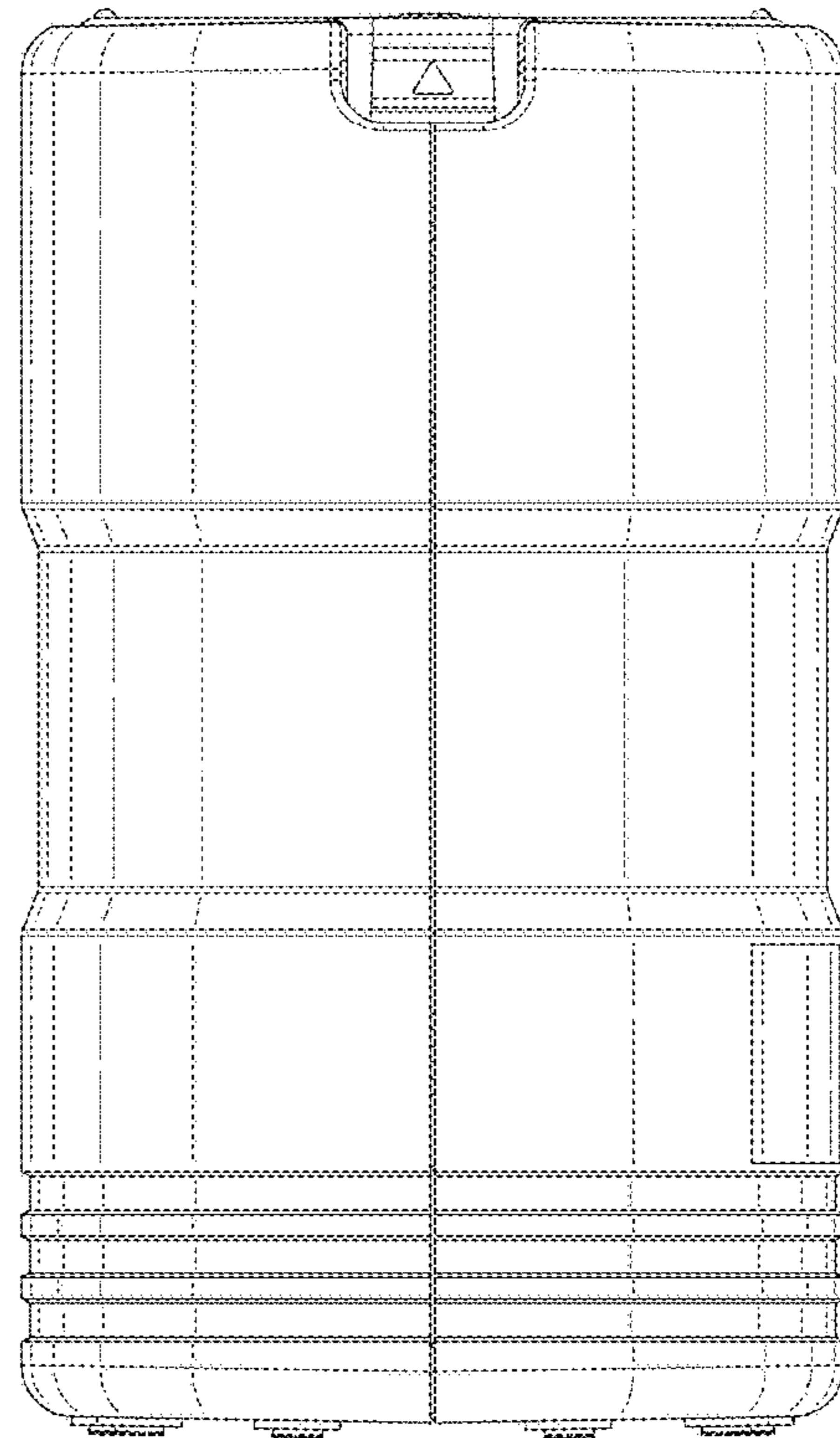


FIG. 8



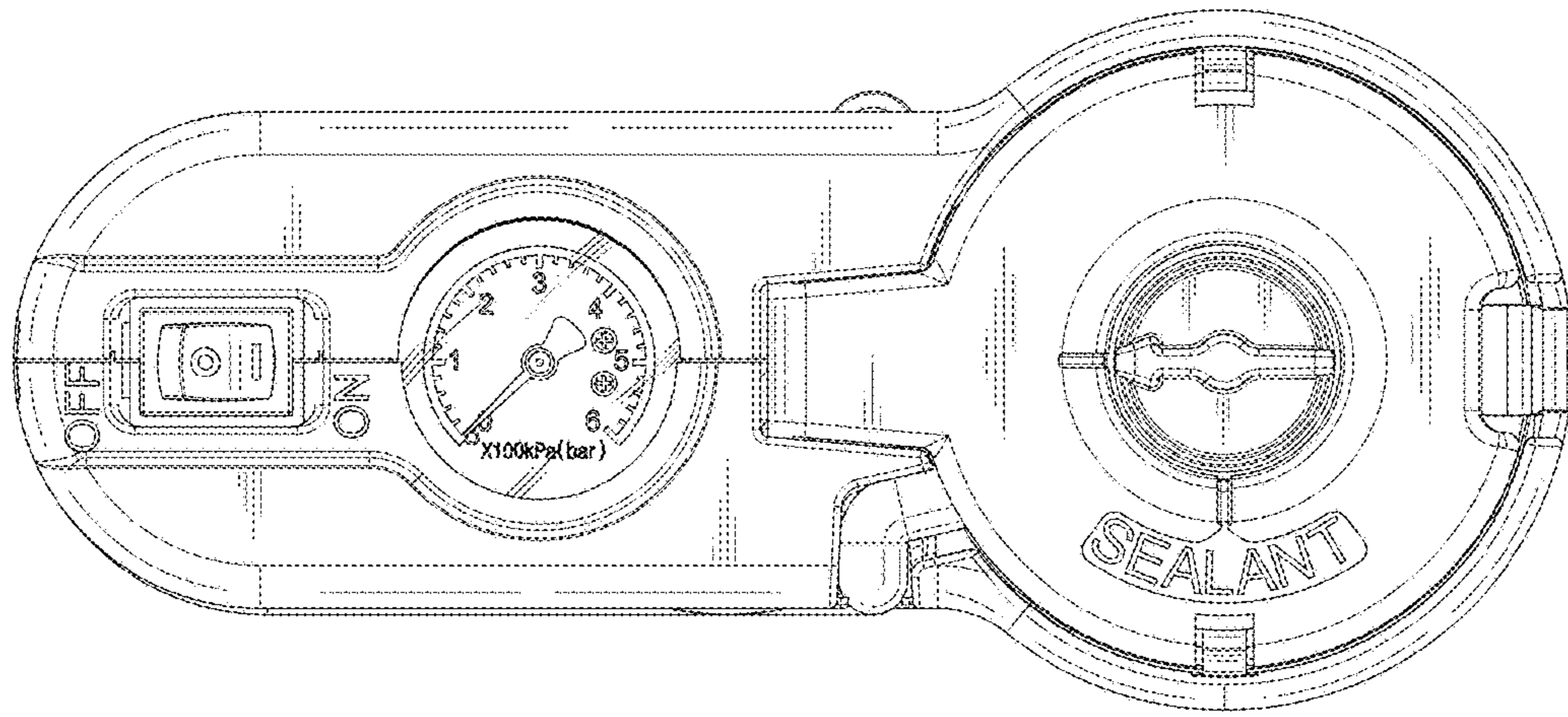


FIG. 9

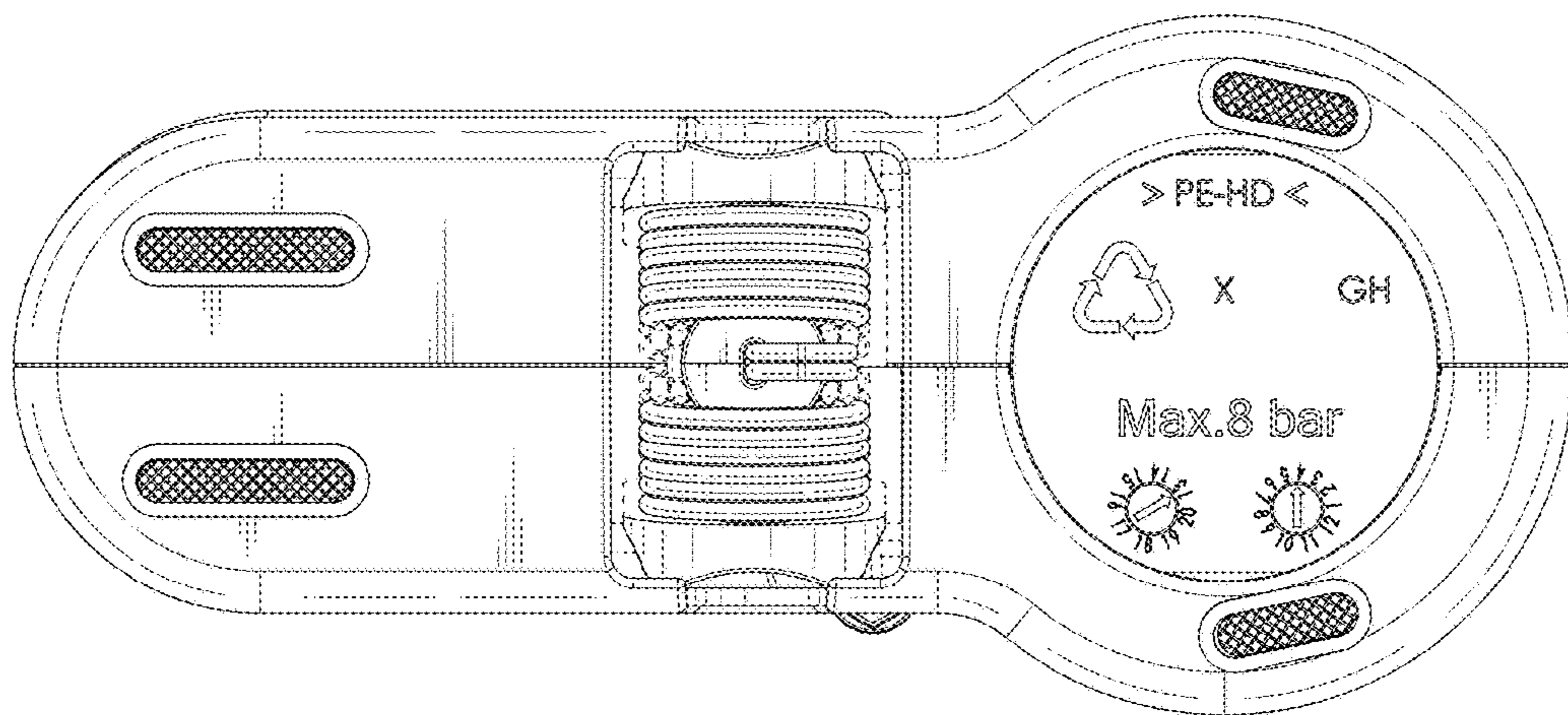


FIG. 10