



US00D834068S

(12) **United States Design Patent**  
**Lee et al.**

(10) **Patent No.:** **US D834,068 S**  
(45) **Date of Patent:** **\*\* Nov. 20, 2018**

(54) **CONTROL PUMP**

FOREIGN PATENT DOCUMENTS

(71) Applicant: **S.A. Armstrong Limited**, Scarborough (CA)

EP 0464355 B1 12/1993  
EP 0464360 B1 11/1994

(Continued)

(72) Inventors: **David T. W. Lee**, Scarborough (CA);  
**Neal Halverson**, Scarborough (CA)

OTHER PUBLICATIONS

(73) Assignee: **S.A. Armstrong Limited**, Scarborough, Ontario (CA)

Armstrong; Series 4302; Vertical In-Line Dualarm Split-Coupled; 3x3x6 Submittal; Dec. 4, 2014.

(Continued)

(\*\*) Term: **15 Years**

(21) Appl. No.: **29/606,142**

*Primary Examiner* — Ralf Seifert

(22) Filed: **Jun. 1, 2017**

(74) *Attorney, Agent, or Firm* — Bret E. Field; Bozicevic, Field & Francis LLP

(30) **Foreign Application Priority Data**

(57) **CLAIM**

Jan. 27, 2017 (CA) ..... 172776

The ornamental design for control pump, as shown and described.

(51) **LOC (11) Cl.** ..... **15-02**

(52) **U.S. Cl.**  
USPC ..... **D15/7**

**DESCRIPTION**

(58) **Field of Classification Search**  
USPC ..... D15/7-9; D23/231, 232, 225; 417/60, 417/235, 265, 321, 355, 358, 363, 359, 417/410.1, 415-416, 405, 900, 269, 539; 60/408, 412; 184/26-37; 415/140-147; 123/495, 509; 137/565.34  
CPC ..... F02M 37/04; F02M 37/14; F04B 53/92; F04B 1/005; F04D 13/06; F04D 29/22; F04D 29/046; F04D 29/2266  
See application file for complete search history.

FIG. 1 is a front perspective view of the control pump, in a first variant;  
FIG. 2 is a rear perspective view of the control pump shown in FIG. 1;  
FIG. 3 is front view of the control pump shown in FIG. 1;  
FIG. 4 is a rear view of the control pump shown in FIG. 1;  
FIG. 5 is a left side view of the control pump shown in FIG. 1;  
FIG. 6 is a right side view of the control pump shown in FIG. 1;  
FIG. 7 is a top view of the control pump shown in FIG. 1; and,  
FIG. 8 is a bottom view of the control pump shown in FIG. 1.  
The broken lines are included for the purpose of illustrating portions of the control pump that form no part of the claimed design.

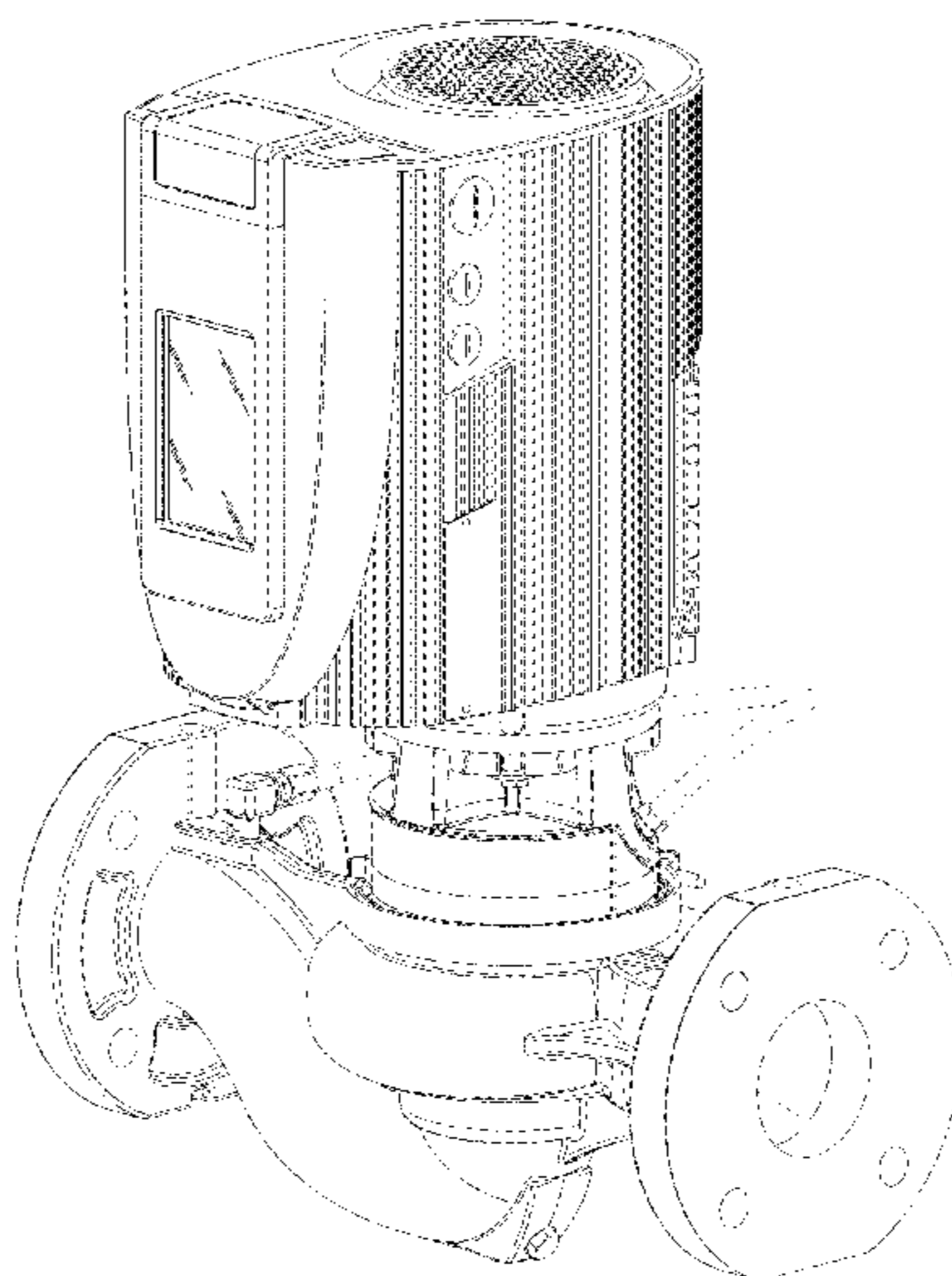
(56) **References Cited**

U.S. PATENT DOCUMENTS

D263,302 S \* 3/1982 Terajima ..... D15/7  
D284,380 S 6/1986 Berg et al.  
D296,556 S 7/1988 Hirakawa et al.  
5,139,397 A 8/1992 Strelow

(Continued)

**1 Claim, 8 Drawing Sheets**



(56)

References Cited

OTHER PUBLICATIONS

U.S. PATENT DOCUMENTS

5,178,520 A 1/1993 Strelow  
 D440,230 S 4/2001 Craford et al.  
 D471,561 S \* 3/2003 Kohsaka ..... D15/7  
 D558,232 S \* 12/2007 Wang ..... D15/7  
 D609,595 S \* 2/2010 Soderstrom ..... D15/7  
 D647,110 S \* 10/2011 Pages ..... D15/7  
 D647,537 S 10/2011 Mehnert et al.  
 D649,561 S \* 11/2011 Bauck ..... D15/7  
 D652,844 S \* 1/2012 Hanitsch ..... D15/7  
 D667,845 S \* 9/2012 Moysi ..... D15/7  
 D668,684 S \* 10/2012 Noguchi ..... D15/9  
 D676,063 S 2/2013 Soja  
 8,376,698 B2 2/2013 Vedsted  
 D677,282 S 3/2013 Soja  
 D696,695 S \* 12/2013 Sofussen ..... D15/7  
 D696,696 S \* 12/2013 Sofussen ..... D15/7  
 D704,748 S 5/2014 Beers et al.  
 D722,083 S 2/2015 Soja  
 D723,063 S 2/2015 Edler et al.  
 D733,190 S 6/2015 West  
 9,051,936 B2 6/2015 Kallesoe et al.  
 D742,928 S 11/2015 West  
 D771,148 S 11/2016 Soja  
 D797,154 S 9/2017 Fujiwara  
 D803,891 S \* 11/2017 Timmer ..... D15/7  
 2015/0293505 A1 10/2015 Acosta Gonzalez

FOREIGN PATENT DOCUMENTS

EP 0864755 B1 8/2003  
 EP 2143953 B1 6/2011  
 EP 2354555 12/2015

Armstrong; Series 4302; Vertical In-Line Dualarm Split-Coupled;  
 3x3x8 Submittal; Dec. 4, 2014.  
 Armstrong; Series 4302; Vertical In-Line Dualarm Split-Coupled;  
 3x3x10 Submittal; Dec. 4, 2014.  
 Armstrong; Series 4302; Vertical In-Line Dualarm Split-Coupled;  
 4x4x6 Submittal; Dec. 4, 2014.  
 Armstrong; Series 4302; Vertical In-Line Dualarm Split-Coupled;  
 4x4x8 Submittal; Dec. 4, 2014.  
 Armstrong; Series 4302; Vertical In-Line Dualarm Split-Coupled;  
 4x4x10 Submittal; Dec. 4, 2014.  
 Armstrong; Series 4302; Vertical In-Line Dualarm Split-Coupled;  
 6x6x6 Submittal; Dec. 4, 2014.  
 Armstrong; Series 4302; Vertical In-Line Dualarm Split-Coupled;  
 6x6x8 Submittal; Dec. 4, 2014.  
 Armstrong; Series 4302; Vertical In-Line Dualarm Split-Coupled;  
 6x6x10 Submittal; Dec. 4, 2014.  
 Armstrong; Series 4302; Vertical In-Line Dualarm Split-Coupled;  
 8x8x8 Submittal; Dec. 4, 2014.  
 Armstrong; Series 4302; Vertical In-Line Dualarm Split-Coupled;  
 8x8x10 Submittal; Dec. 4, 2014.  
 Armstrong; Series 4302; Vertical In-Line Dualarm Split-Coupled;  
 8x8x11.5 Submittal; Dec. 4, 2014.  
 Armstrong; Series 4302; Vertical In-Line Dualarm Split-Coupled;  
 8x8x13 Submittal; Dec. 4, 2014.

\* cited by examiner

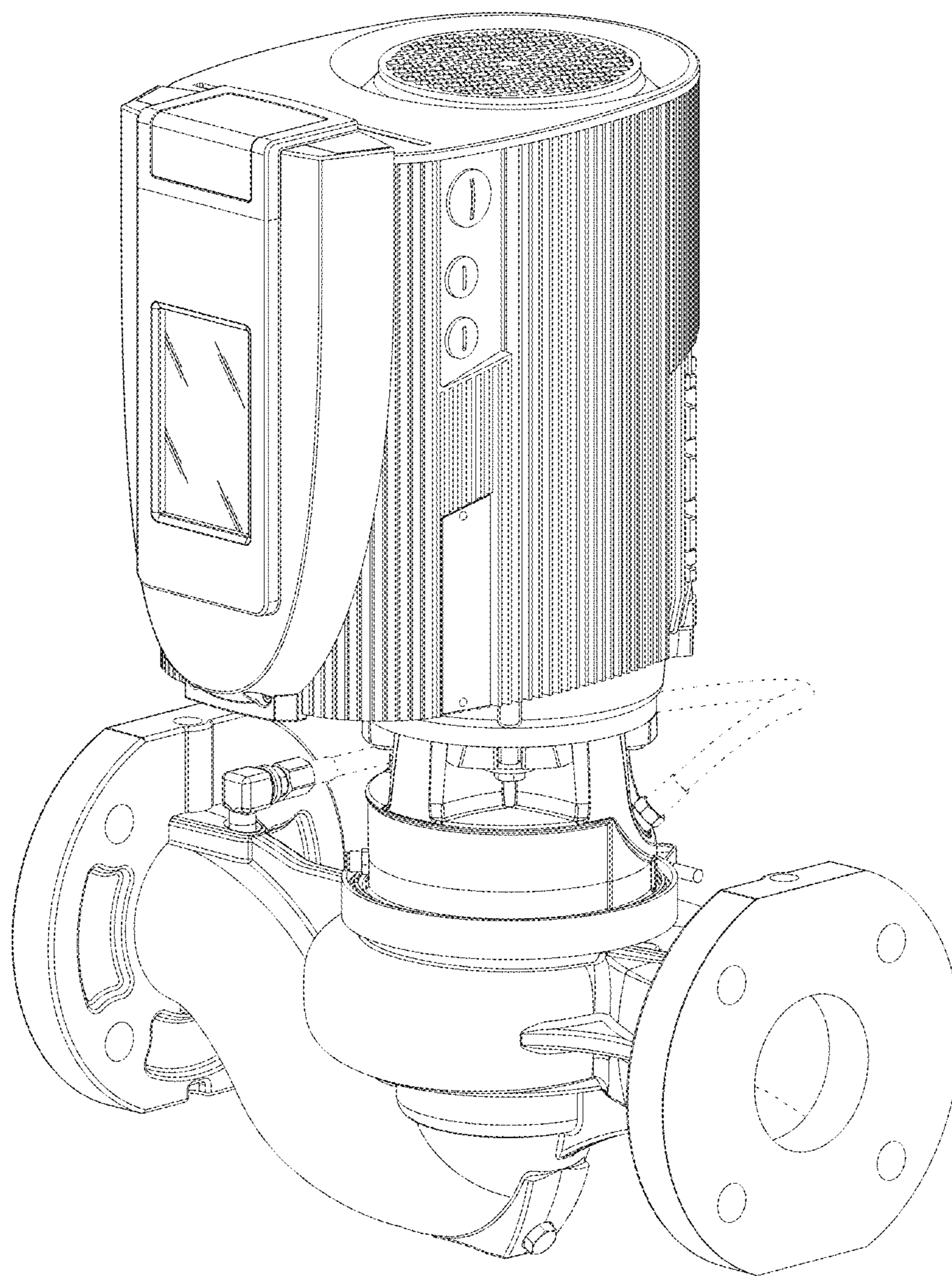


FIG.1

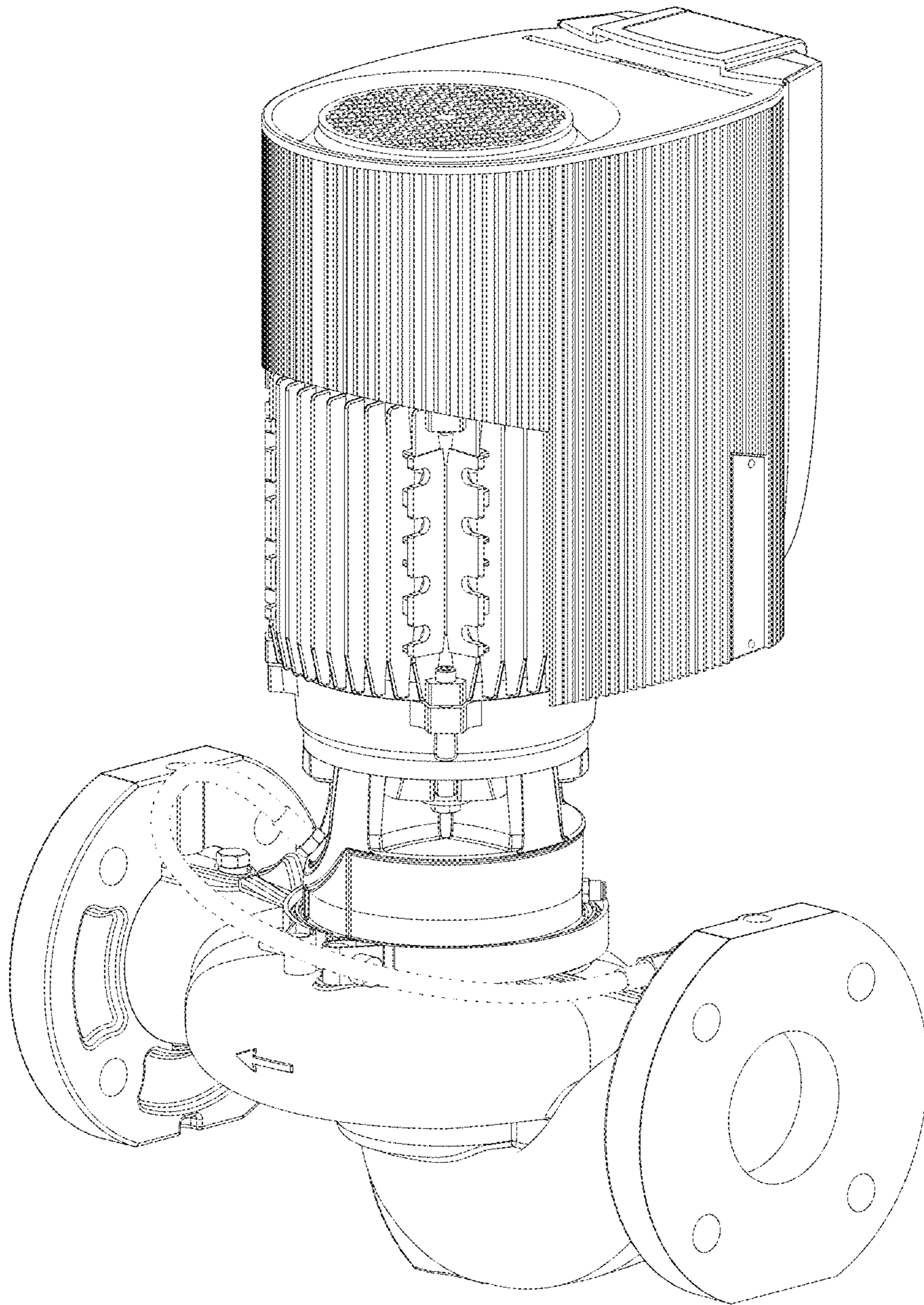


FIG.2

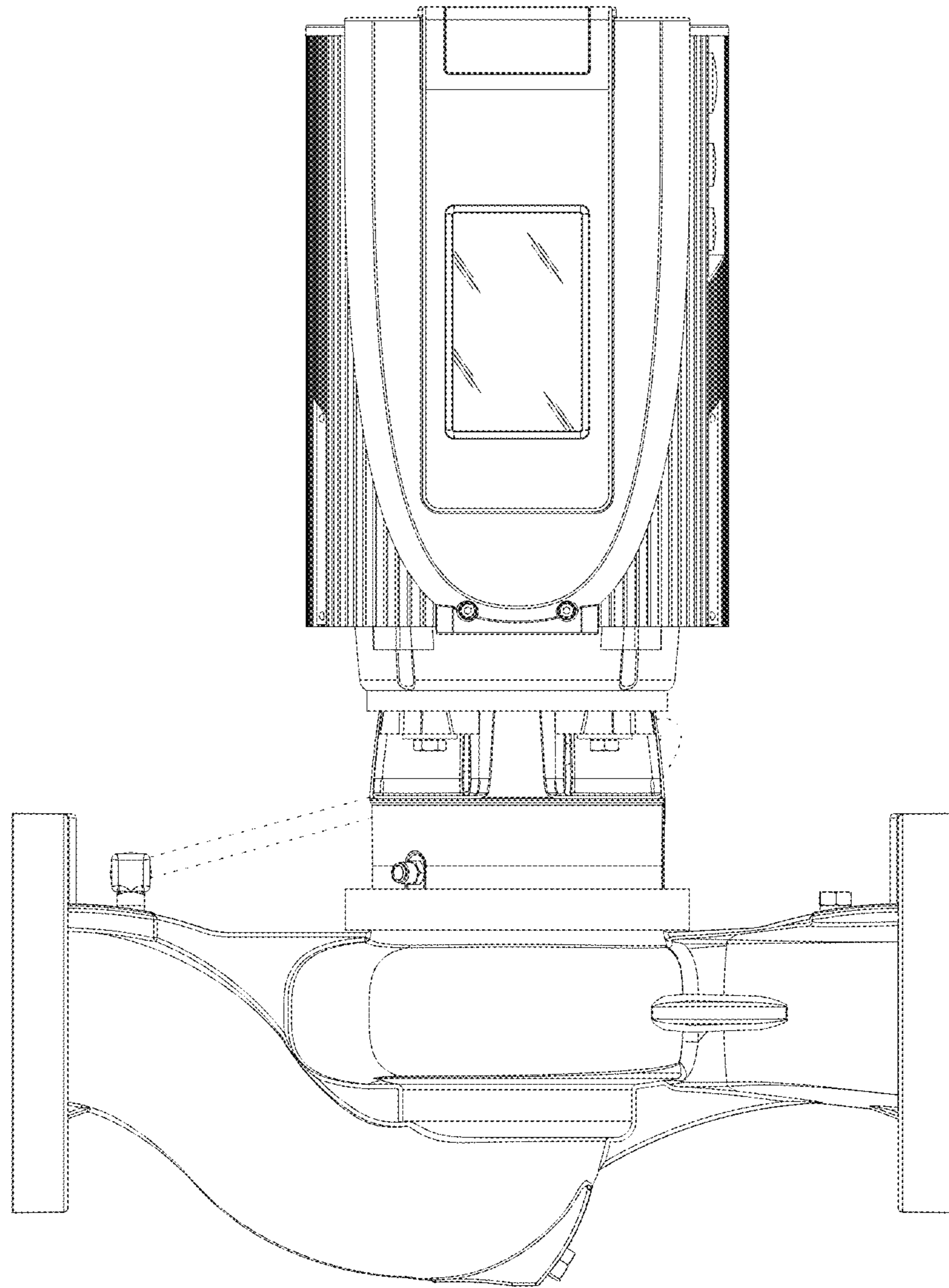


FIG.3

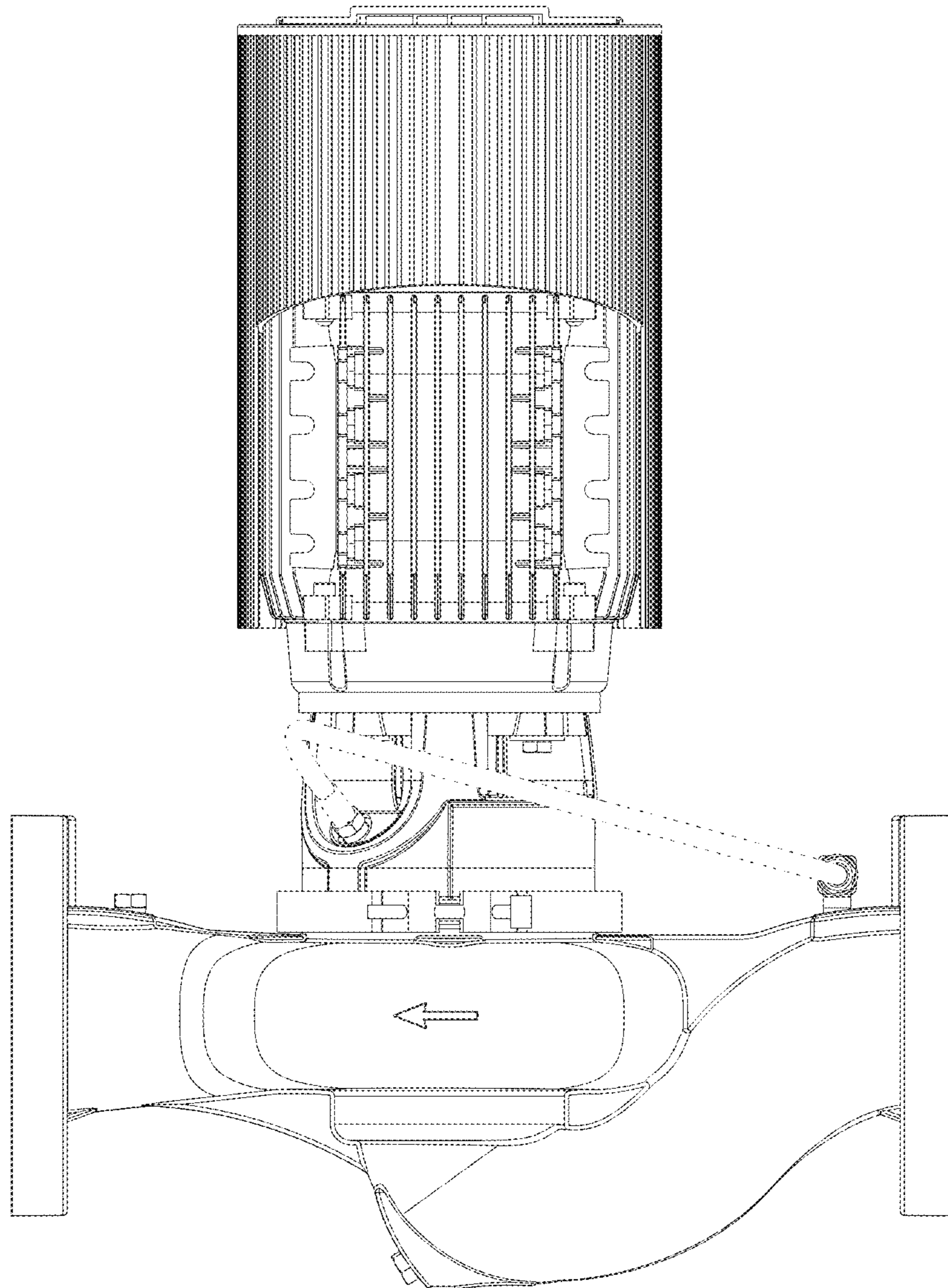


FIG.4

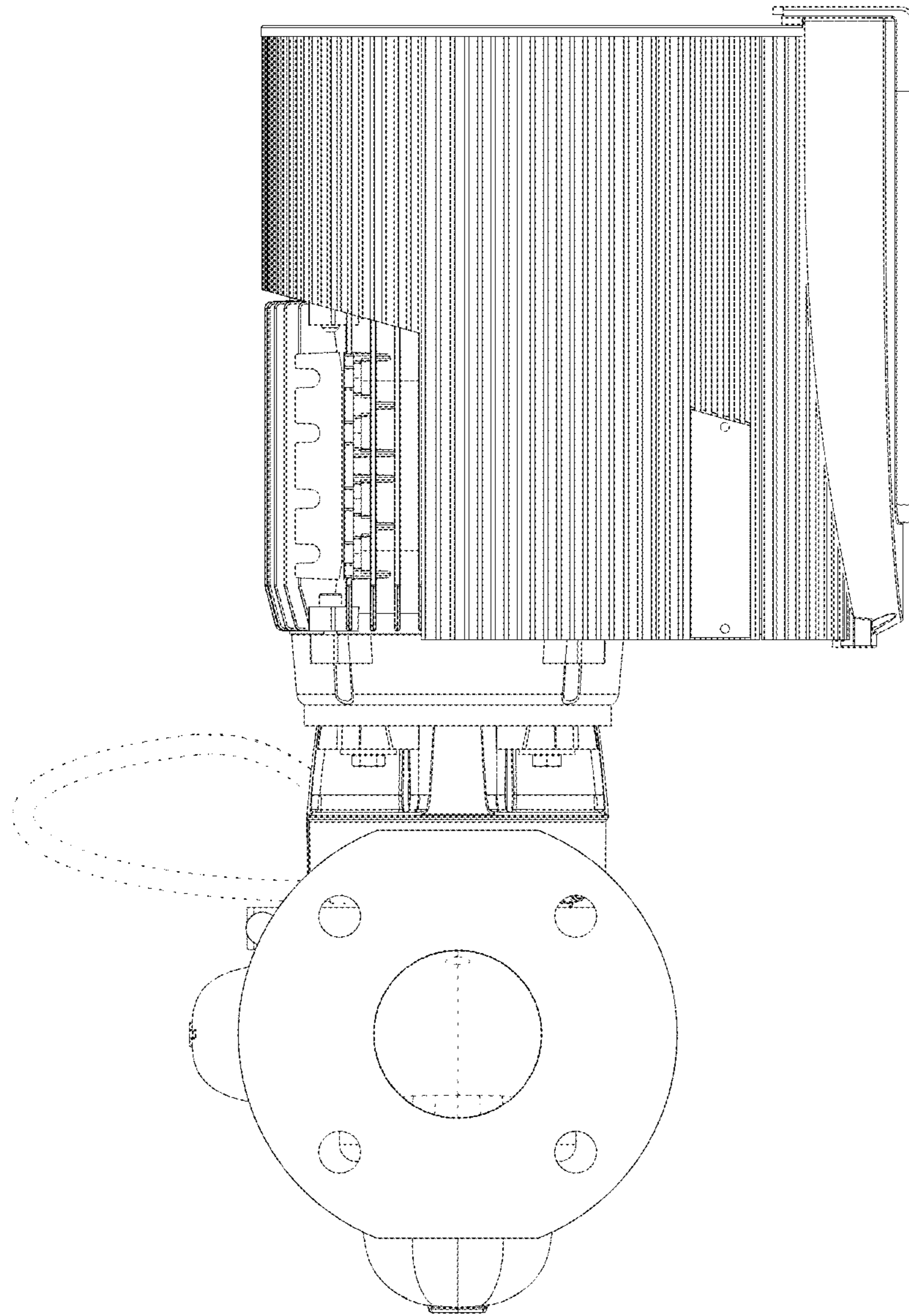


FIG.5

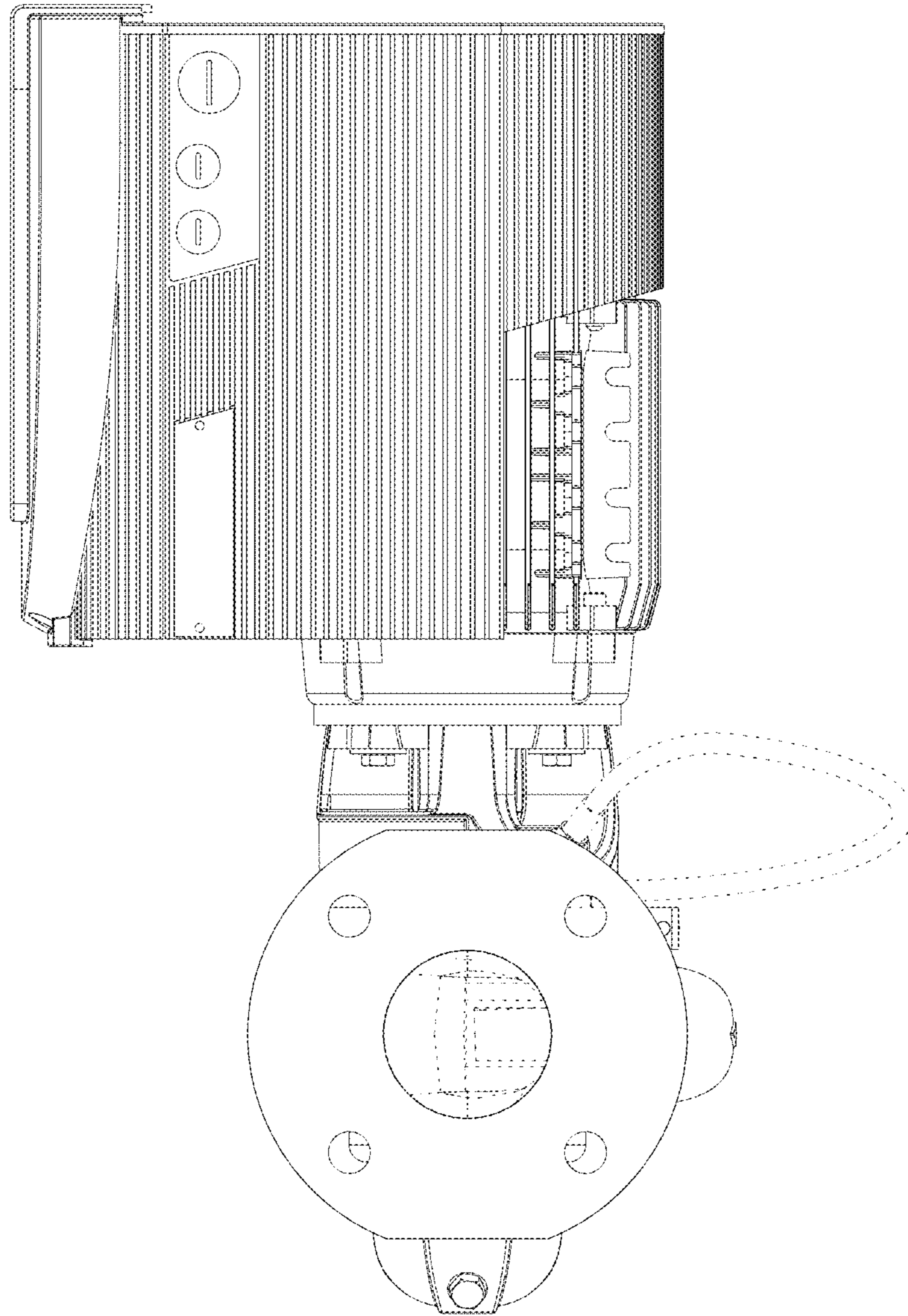


FIG.6



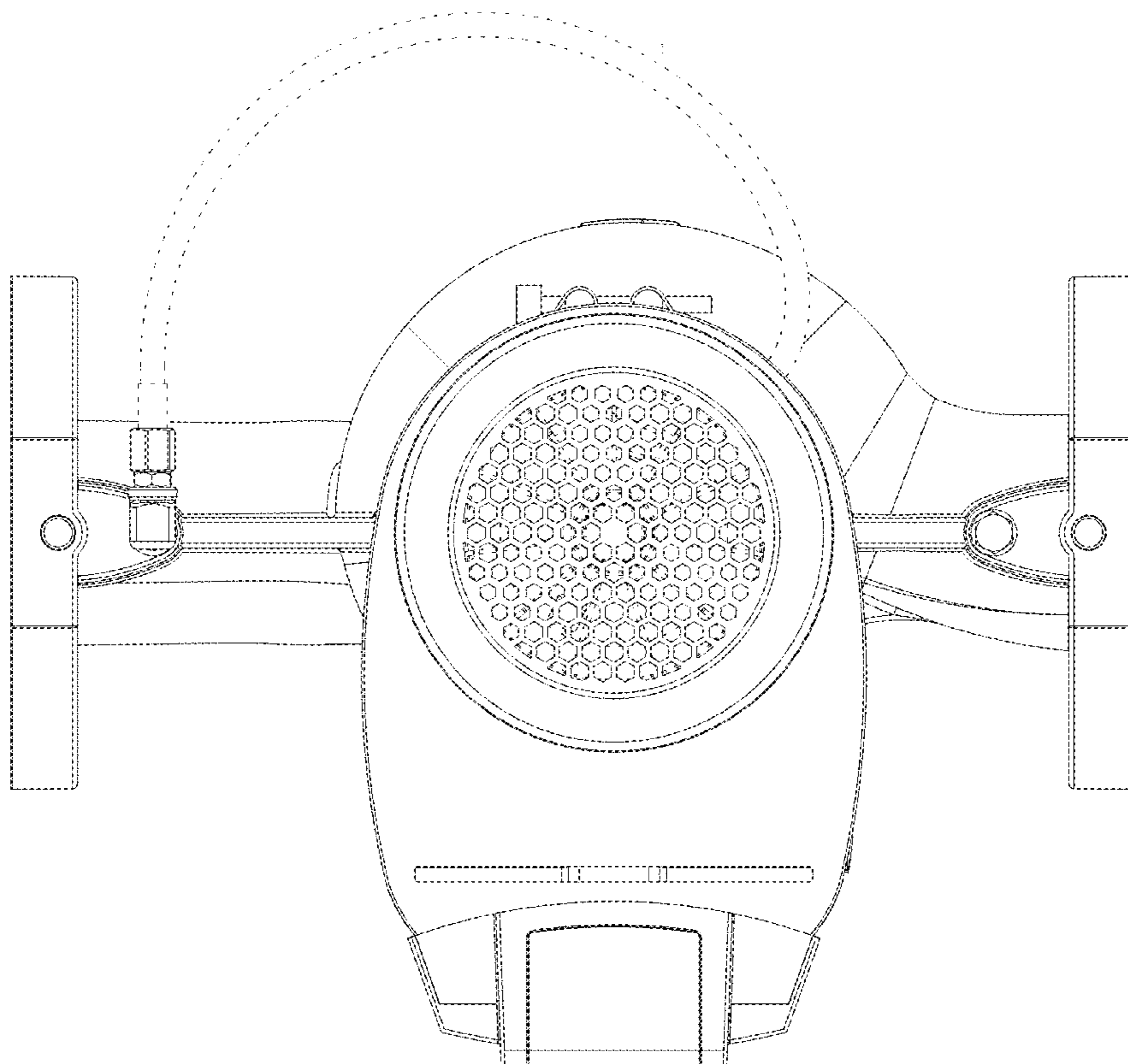


FIG.7

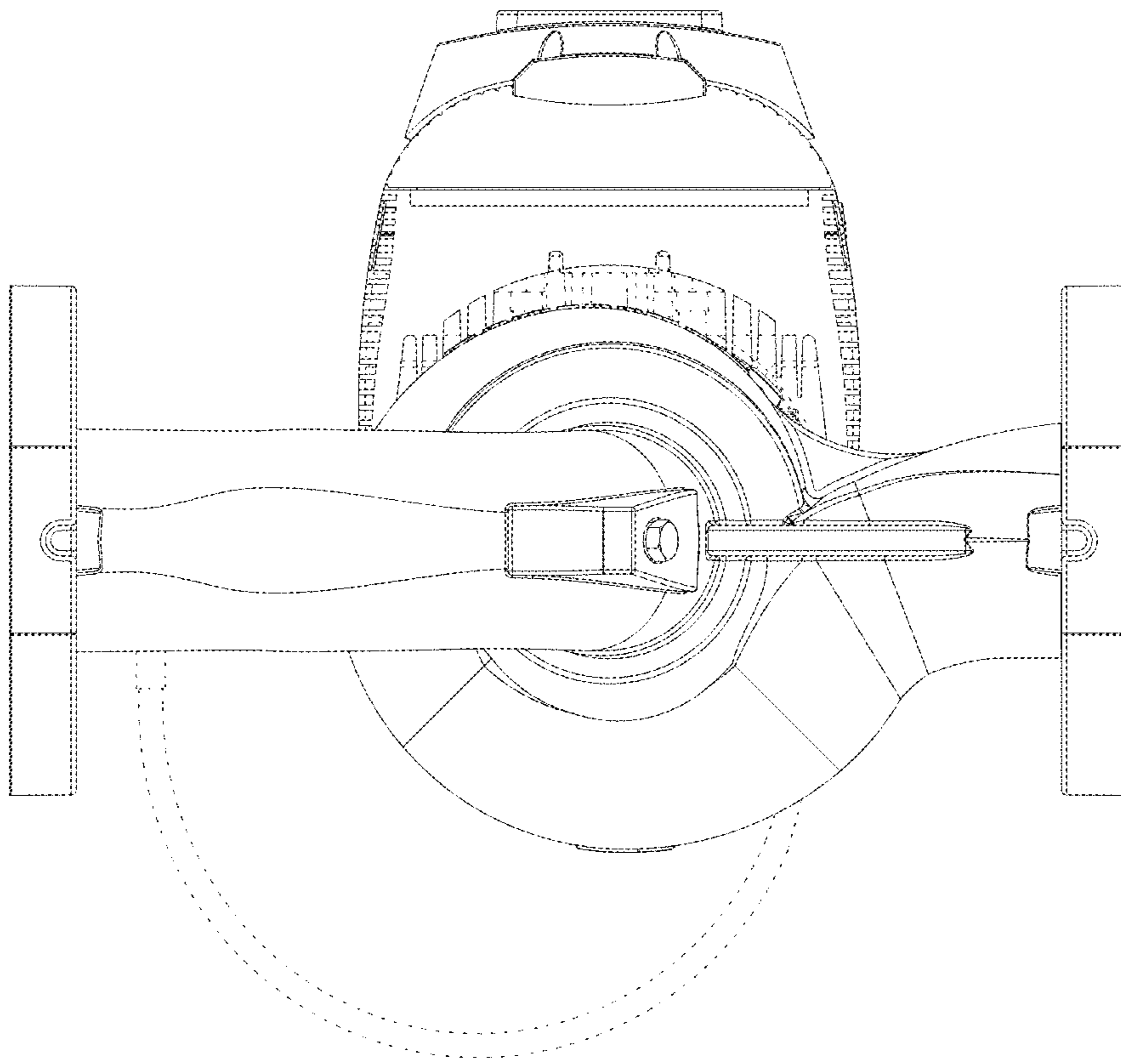


FIG.8