



US00D834067S

(12) **United States Design Patent** (10) **Patent No.:** **US D834,067 S**  
**Stahl et al.** (45) **Date of Patent:** **\*\* Nov. 20, 2018**

(54) **PUMP**

(56) **References Cited**

(71) Applicant: **Xylem IP Management S.a r.l.**,  
Senningerberg (LU)

U.S. PATENT DOCUMENTS

(72) Inventors: **Borje Stahl**, Kista (SE); **Johan Bratthall**, Saltsjo Boo (SE)

D211,913 S *	8/1968	Levin .....	D15/8
D286,292 S *	10/1986	Kingston .....	D15/9
D289,400 S *	4/1987	Frees .....	D15/5
4,917,581 A *	4/1990	Richardson, Jr. ....	F01C 21/007 248/632
6,045,340 A *	4/2000	Batchelder .....	F04D 29/426 417/360
D486,501 S *	2/2004	Hawkins .....	D15/7
D498,481 S *	11/2004	Wang .....	D15/8
D808,438 S *	1/2018	Wakabayashi .....	D15/7

(73) Assignee: **XYLEM IP MANAGEMENT S.A R.L.**, Senningerberg (LU)

(\*\*) Term: **15 Years**

\* cited by examiner

(21) Appl. No.: **29/602,677**

*Primary Examiner* — Ralf Seifert

(22) Filed: **May 2, 2017**

(74) *Attorney, Agent, or Firm* — Fox Rothschild LLP

(30) **Foreign Application Priority Data**

(57) **CLAIM**

Apr. 3, 2017 (EM) ..... 003837913-0001

The ornamental design for pump, as shown and described.

(51) **LOC (11) Cl.** ..... **15-02**

**DESCRIPTION**

(52) **U.S. Cl.**

USPC ..... **D15/7**

(58) **Field of Classification Search**

USPC ..... D15/7-9; D23/231, 232, 225; 417/60,  
417/235, 265, 321, 355, 358, 363, 359,  
417/410.1, 415-416, 405, 900, 269, 539;  
60/408, 412; 184/26-37; 415/140-147;  
123/495, 509; 137/565.34

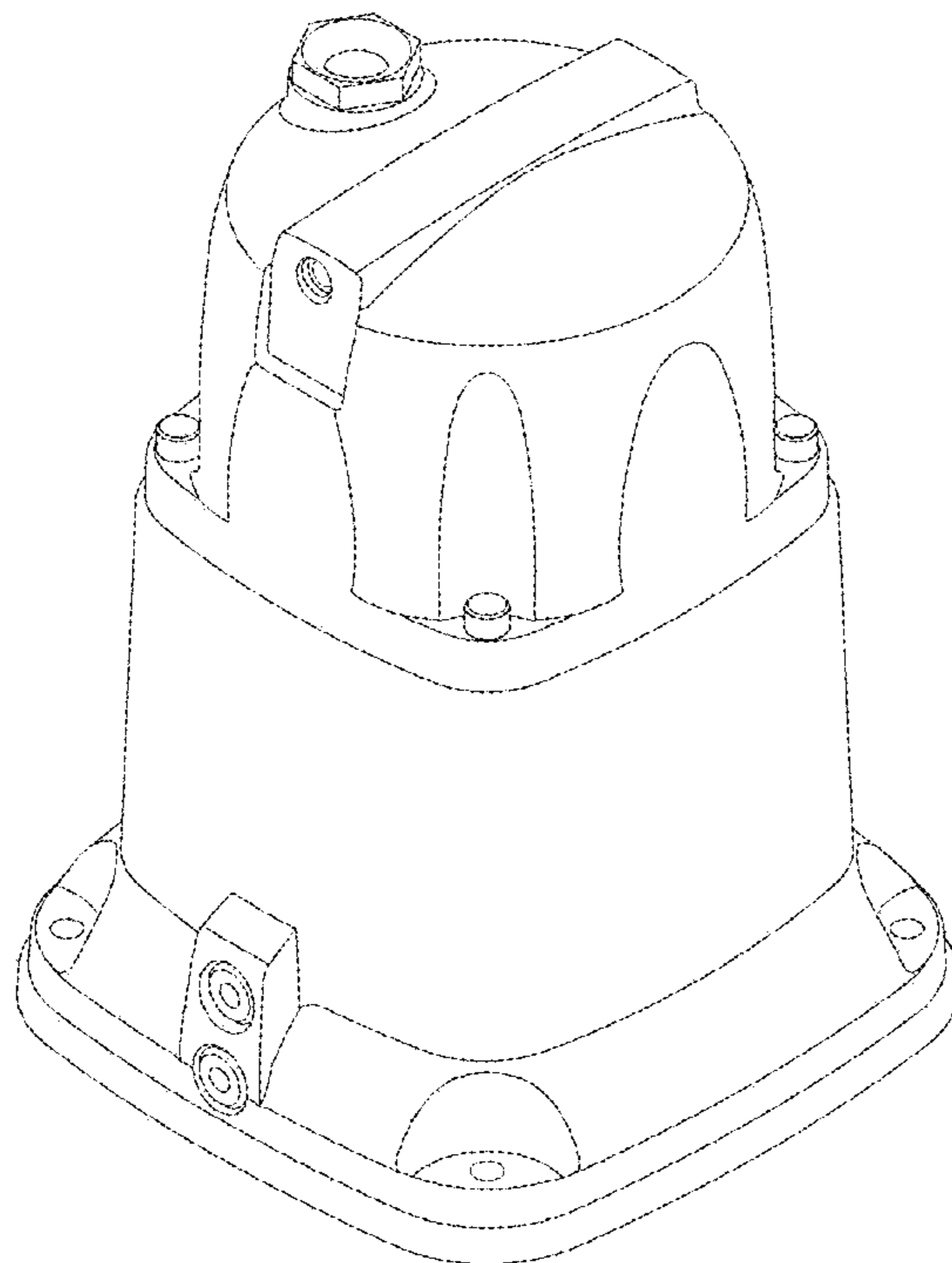
FIG. 1 is a perspective view of an pump according to the new design;  
FIG. 2 is front view thereof;  
FIG. 3 is a rear view thereof;  
FIG. 4 is a right side view thereof;  
FIG. 5 is a left side view thereof;  
FIG. 6 is a top plan view thereof; and,  
FIG. 7 is a bottom view thereof.

CPC ..... F02M 37/04; F02M 37/14; F04B 53/92;  
F04B 1/005; F04D 13/06; F04D 29/22;  
F04D 29/046; F04D 29/2266

The broken lines are included for the purpose of illustrating portions of the pump that form no part of the claimed design.

See application file for complete search history.

**1 Claim, 7 Drawing Sheets**



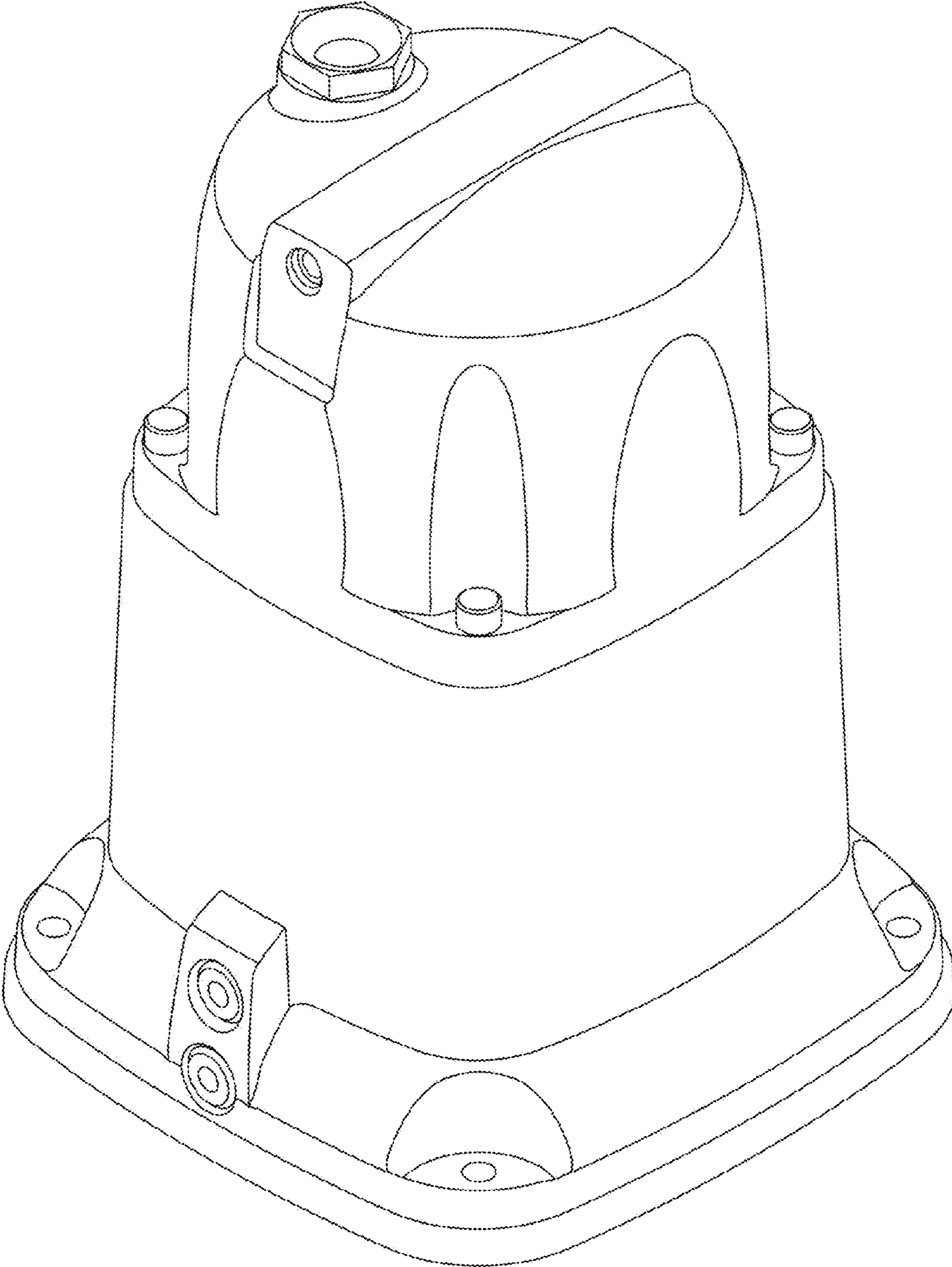


FIGURE 1

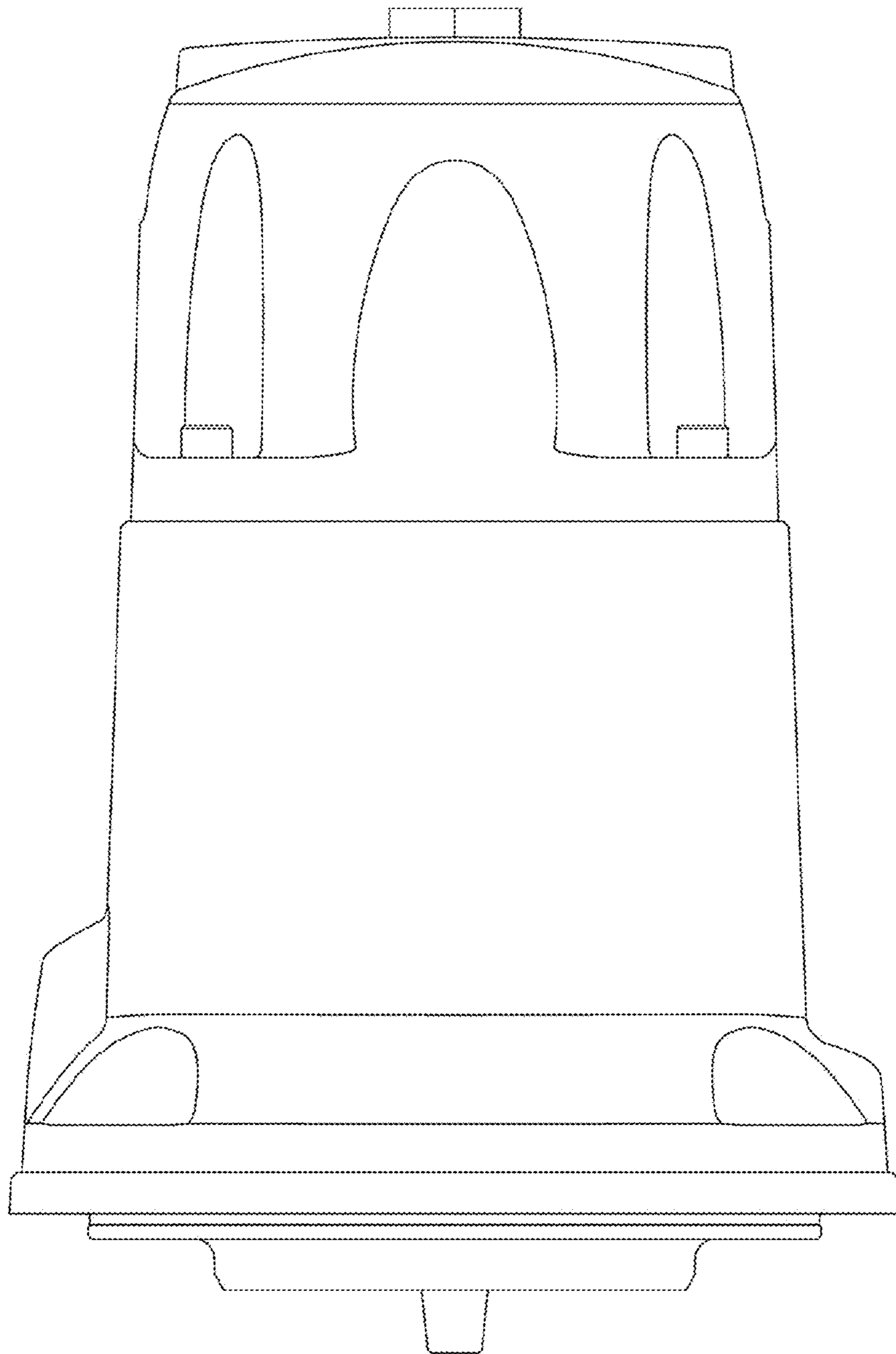


FIGURE 2

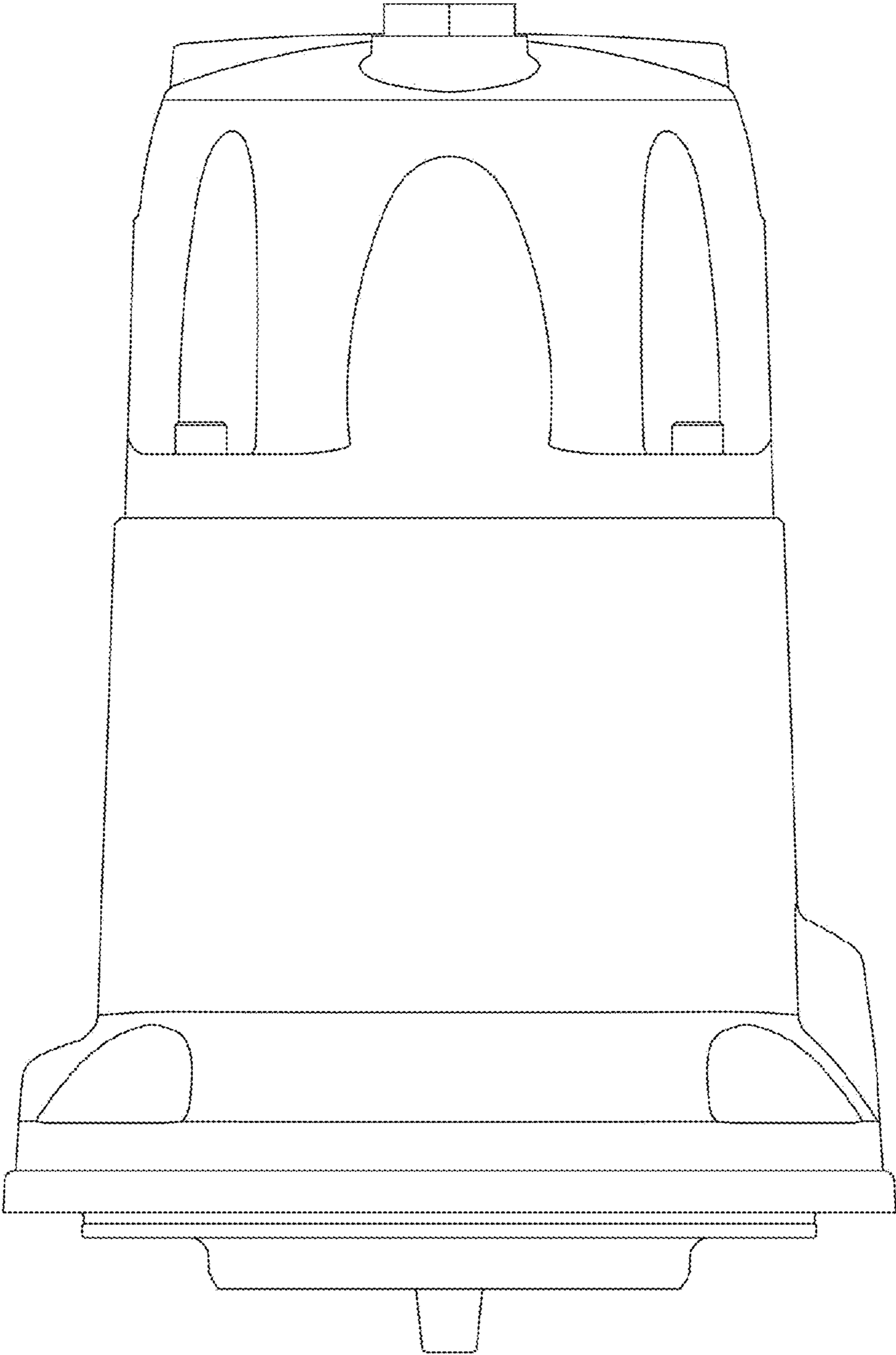


FIGURE 3

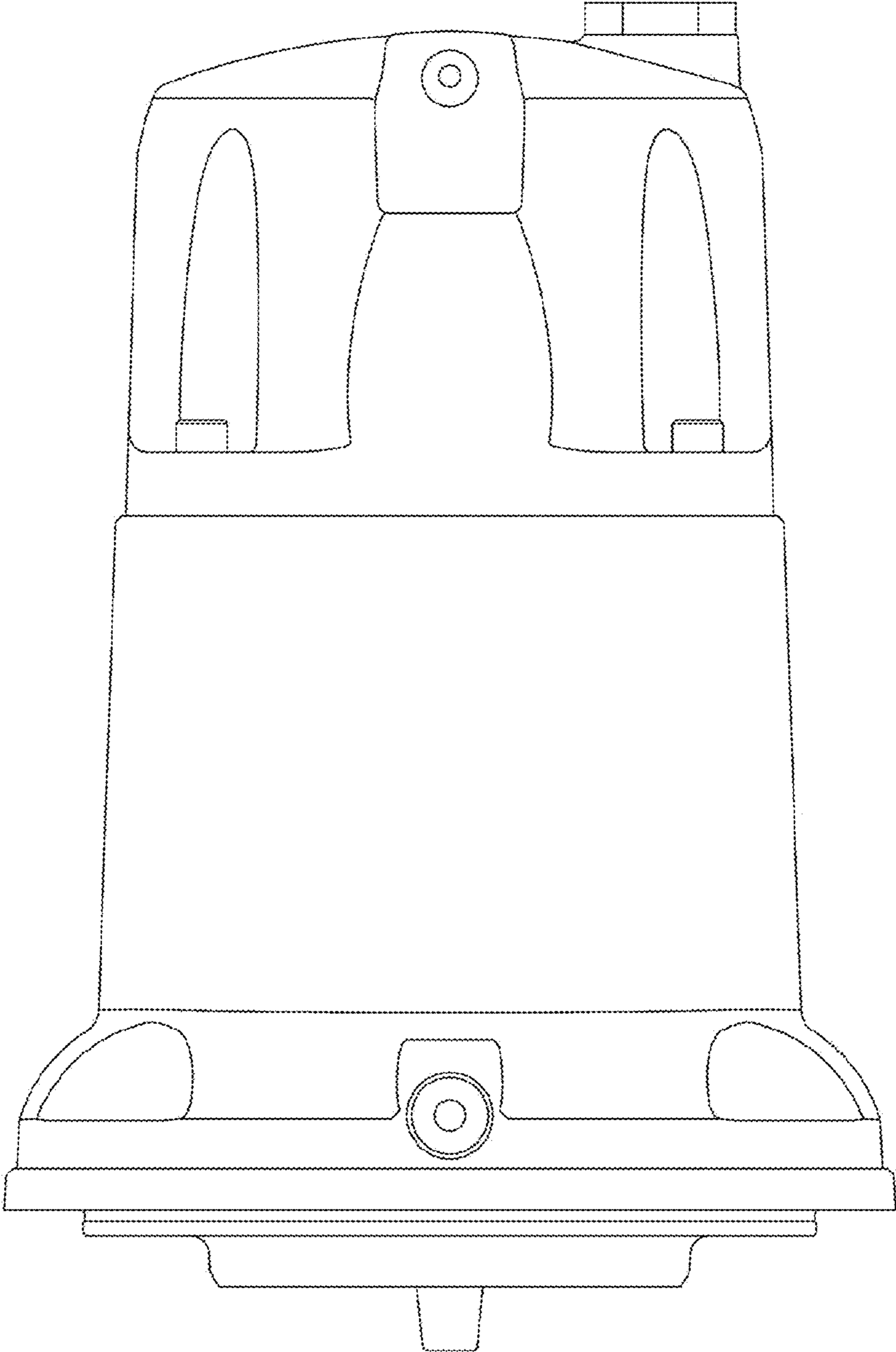


FIGURE 4

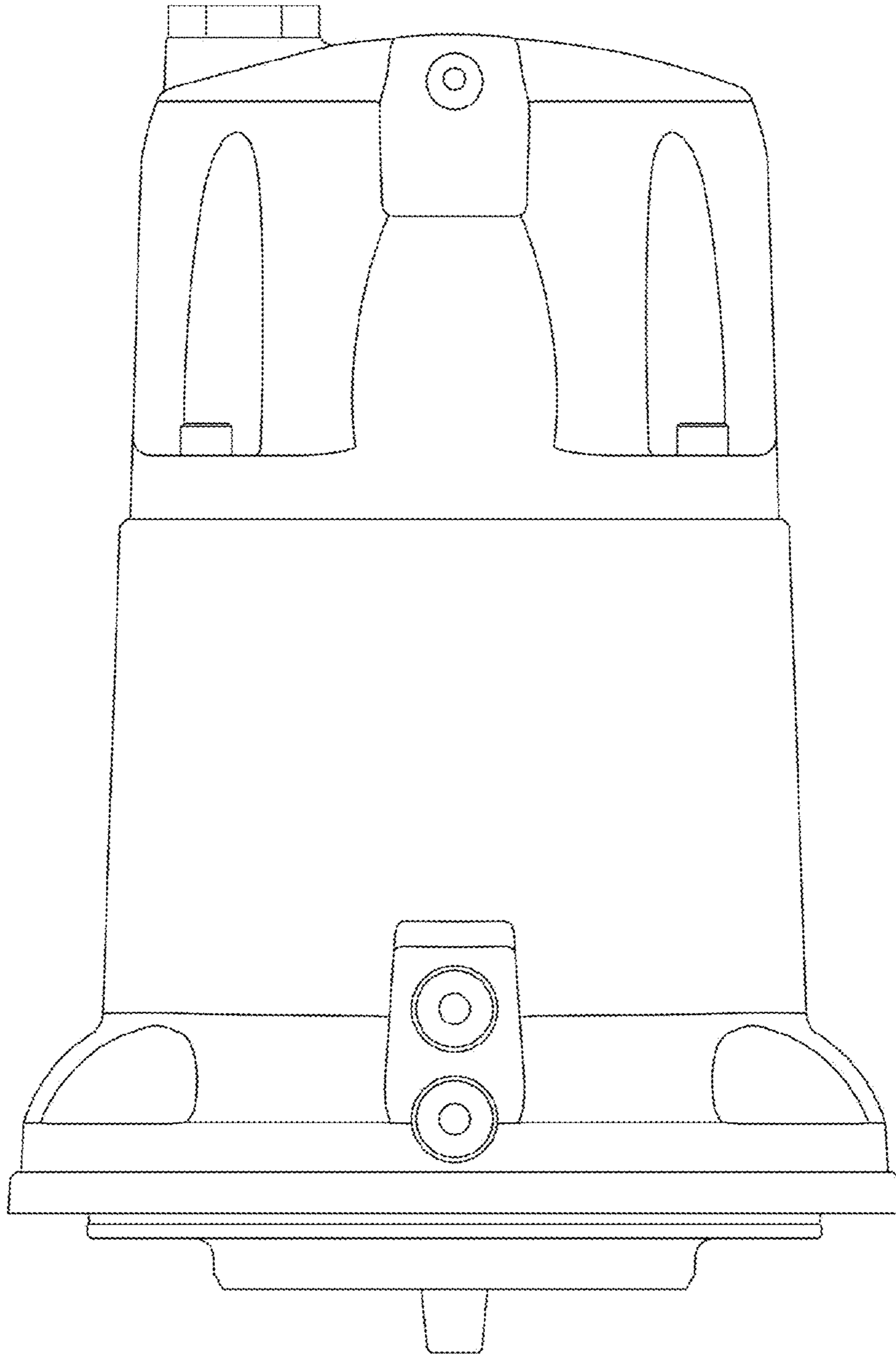


FIGURE 5

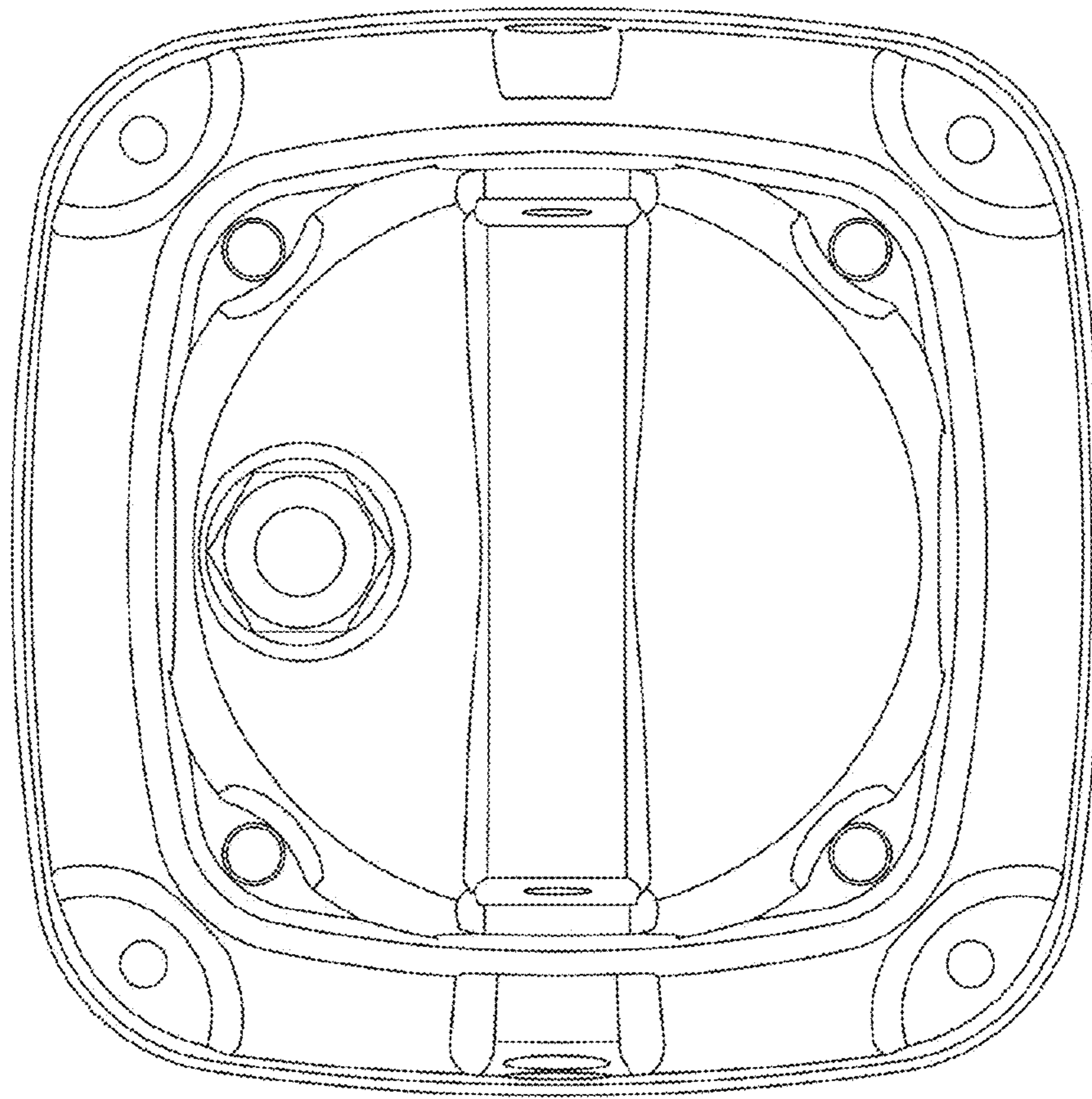


FIGURE 6

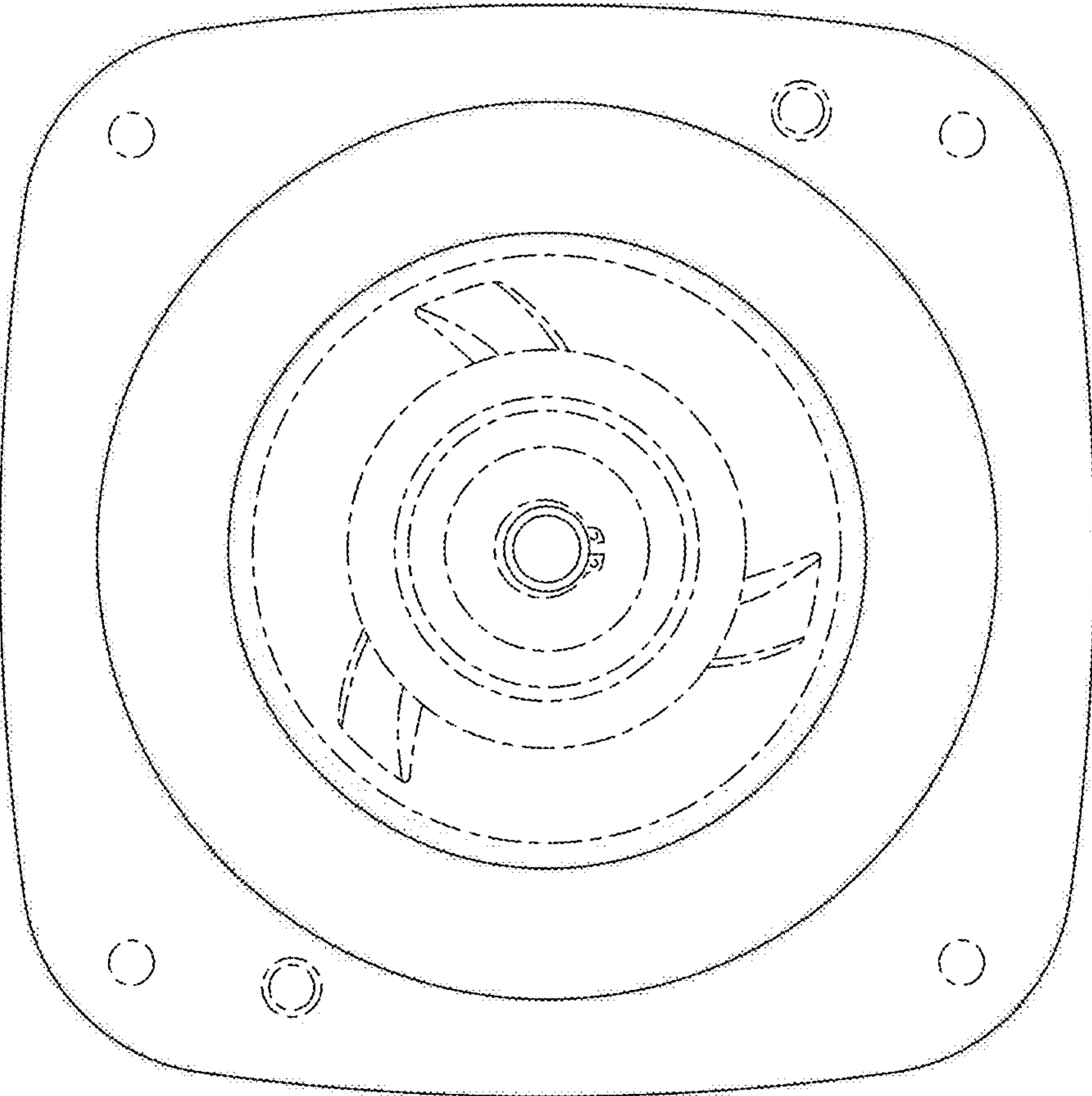


FIGURE 7