



US00D834065S

(12) **United States Design Patent**
Takeuchi

(10) **Patent No.:** **US D834,065 S**

(45) **Date of Patent:** **** *Nov. 20, 2018**

(54) **DISPLAY OF A VEHICLE STEERING WHEEL WITH ICON**

(71) Applicant: **Nissan Motor Co., Ltd.**, Yokohama, Kanagawa (JP)

(72) Inventor: **Hironori Takeuchi**, Kanagawa (JP)

(73) Assignee: **Nissan Motor Co., Ltd.**, Yokohama (JP)

(*) Notice: This patent is subject to a terminal disclaimer.

(**) Term: **15 Years**

(21) Appl. No.: **29/575,305**

(22) Filed: **Aug. 24, 2016**

(30) **Foreign Application Priority Data**

Feb. 25, 2016 (JP) 2016-004038

(51) **LOC (11) Cl.** **14-04**

(52) **U.S. Cl.**
USPC **D14/492**

(58) **Field of Classification Search**

USPC D14/485-495
CPC G06F 3/048; G06F 3/0481; G06F 3/04817;
G06F 3/0482; G06F 3/0483; G06F
3/04842; G06F 3/0485; G06F 3/04855;
G06F 3/0486; G06F 3/0488; G06F
3/04886; G06F 9/4443; G06F 17/211;
G06F 17/212

See application file for complete search history.

(56) **References Cited**

U.S. PATENT DOCUMENTS

D646,696 S * 10/2011 Loken D14/492
D712,928 S * 9/2014 Brener D14/492

D730,935 S * 6/2015 Franganillo B60K 31/00
D14/492
D758,443 S * 6/2016 Kang D14/492
D768,167 S * 10/2016 Jones D14/486
D784,385 S * 4/2017 Kim D14/486
D788,169 S * 5/2017 Wessel D14/492
D791,178 S * 7/2017 Franganillo D14/489
2009/0164062 A1 * 6/2009 Aoki B60Q 1/0082
701/36
2014/0282256 A1 * 9/2014 Fish G06F 3/04886
715/835
2015/0121309 A1 * 4/2015 Reed G06F 3/0481
715/824
2017/0083711 A1 * 3/2017 Hemaraj G06F 3/04883
2017/0193523 A1 * 7/2017 Goldin G06Q 30/018

* cited by examiner

Primary Examiner — Melanie H Tung
Assistant Examiner — Bao-Yen T Nguyen

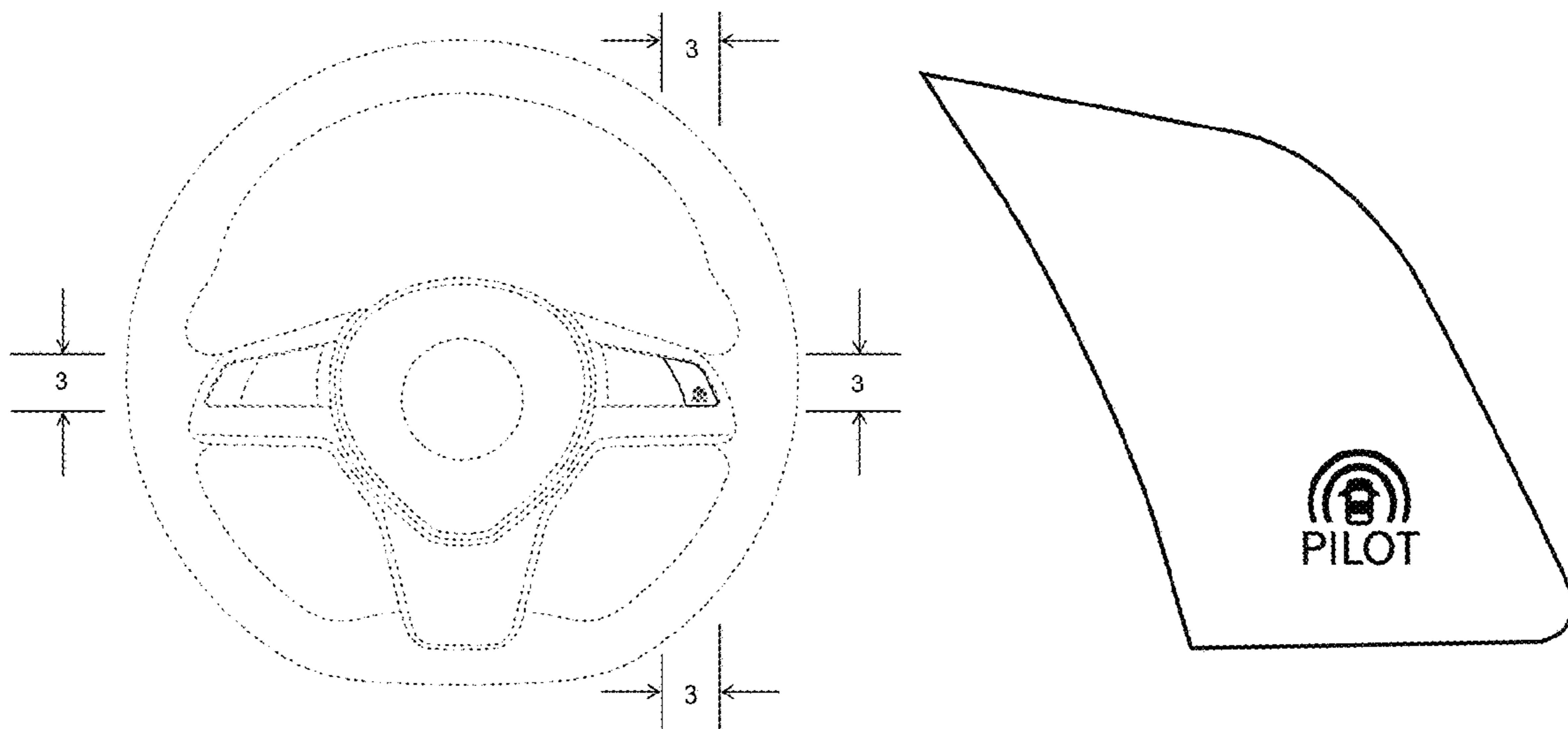
(57) **CLAIM**

The ornamental design for a display of a vehicle steering wheel with icon, as shown and described.

DESCRIPTION

FIG. 1 is a front view of a display of a vehicle steering wheel with icon in accordance with my new design;
FIG. 2 is a perspective view of the display of the vehicle steering wheel with icon in accordance with my new design;
and,
FIG. 3 is an enlarged view of the icon in accordance with my new design, which is displayed in the display of a vehicle steering wheel along the lines 3-3 of FIG. 1.
The dash-dash broken lines in FIGS. 1 and 2 represent the vehicle steering wheel and form no part of the claimed design.

1 Claim, 3 Drawing Sheets



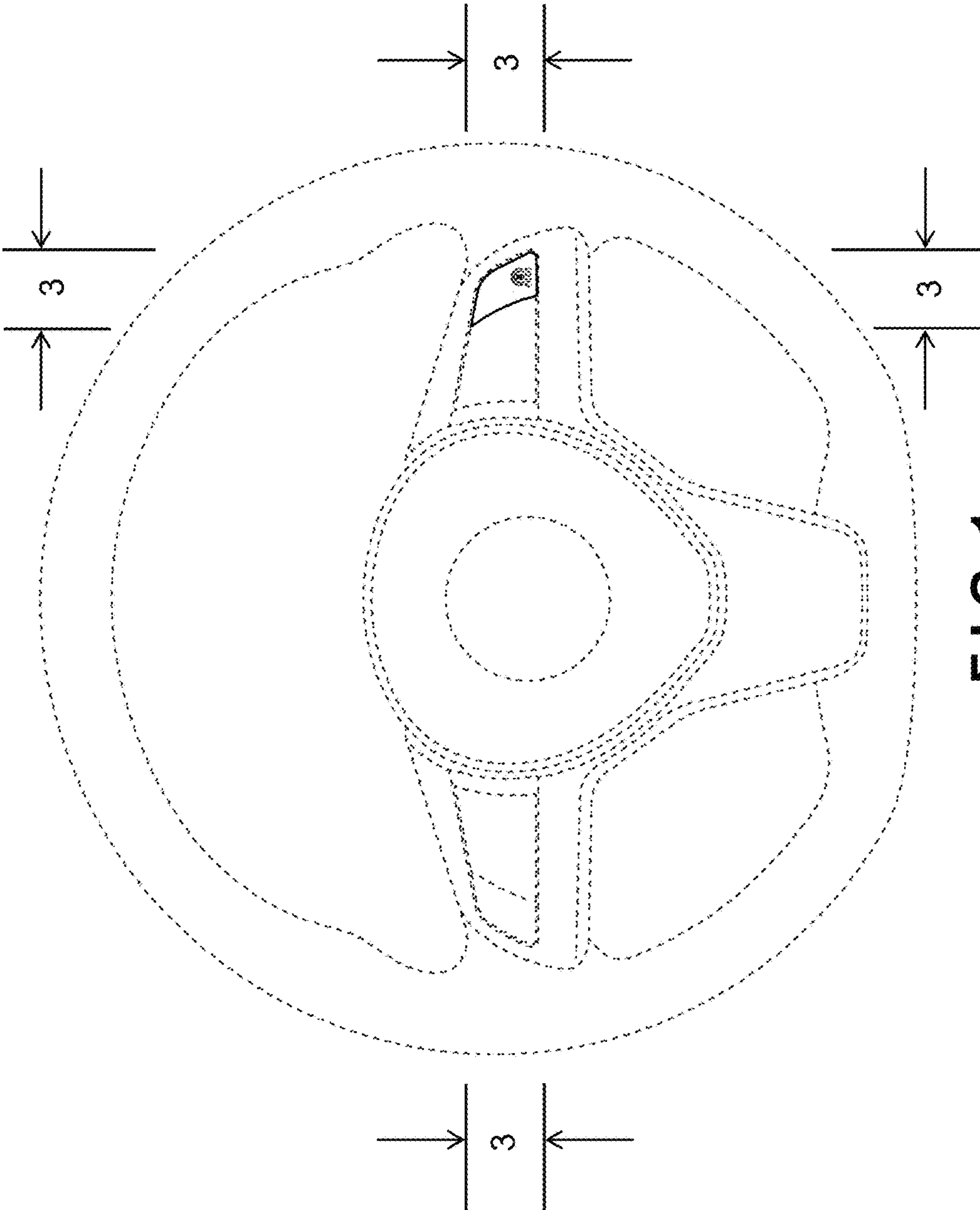


FIG. 1

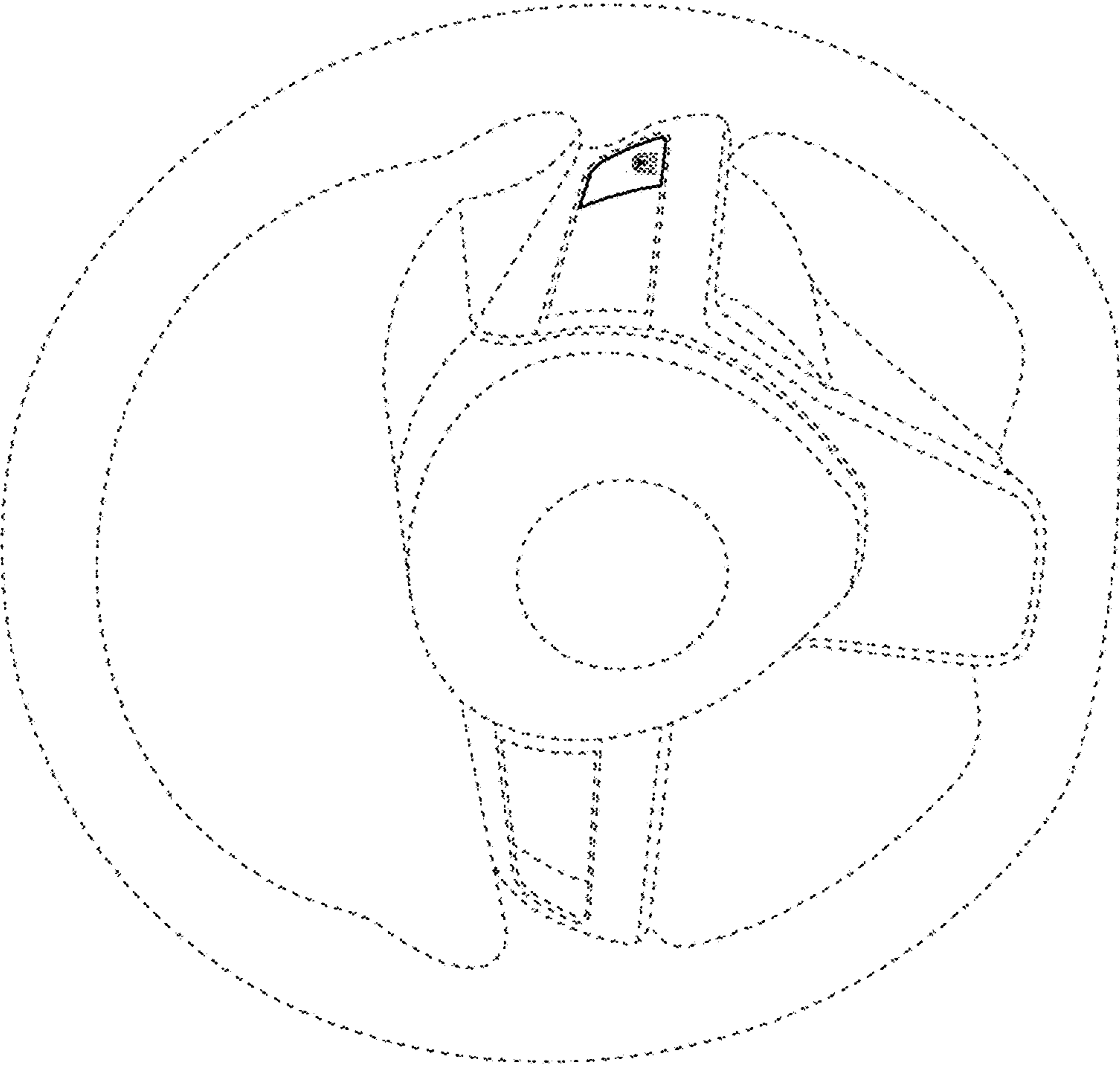


FIG. 2

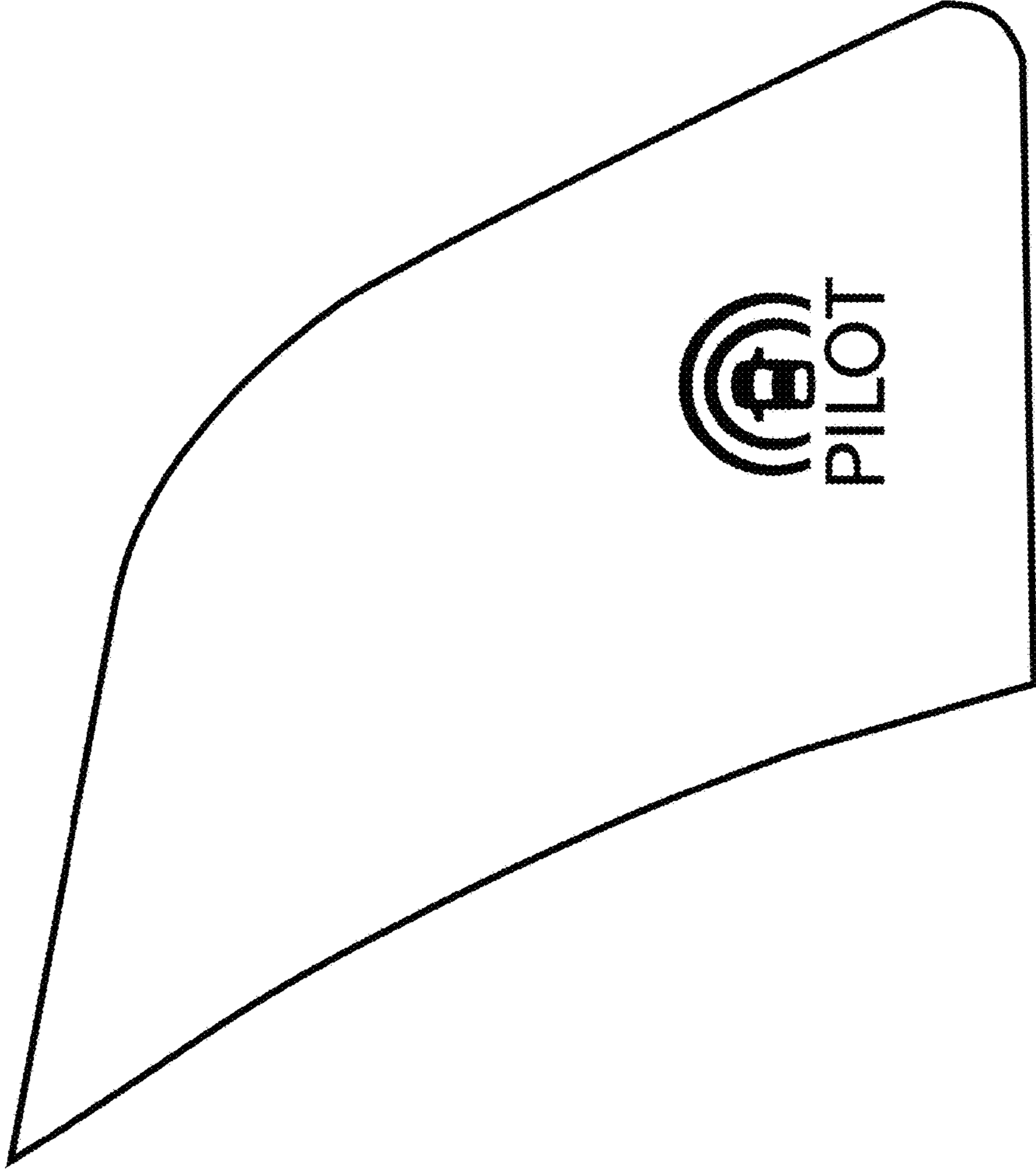


FIG. 3