



US00D834047S

(12) **United States Design Patent**  
**Yoon et al.**

(10) **Patent No.:** **US D834,047 S**  
(45) **Date of Patent:** **\*\* Nov. 20, 2018**

(54) **DISPLAY SCREEN OR PORTION THEREOF WITH ANIMATED GRAPHICAL USER INTERFACE**

FOREIGN PATENT DOCUMENTS

KR 30-2012-0010976 7/2012  
KR 30-2014-0062685 10/2015

(71) Applicant: **Samsung Electronics Co., Ltd.**,  
Suwon-si (KR)

OTHER PUBLICATIONS

(72) Inventors: **Jiyeon Yoon**, Seoul (KR); **Jaejeong Kim**, Seoul (KR); **Jungah Seung**, Guri-si (KR)

“Using Smart Home with Your Range Hood (NK30K7000 & NK36K7000)” Sep. 28, 2016 posted at samsung.com, [site visited Mar. 26, 2018]. <https://www.samsung.com/us/support/answer/ANS00060864>.\*

(73) Assignee: **Samsung Electronics Co., Ltd.**,  
Suwon-si (KR)

(Continued)

(\*\*) Term: **15 Years**

*Primary Examiner* — Eric L Goodman

*Assistant Examiner* — John M Otte

(21) Appl. No.: **29/593,633**

(74) *Attorney, Agent, or Firm* — NSIP Law

(22) Filed: **Feb. 10, 2017**

(30) **Foreign Application Priority Data**

Nov. 18, 2016 (KR) ..... 30-2016-0055597

(51) **LOC (11) Cl.** ..... **14-04**

(52) **U.S. Cl.**  
USPC ..... **D14/486**

(58) **Field of Classification Search**

USPC ..... D14/485–495; D20/11; D21/324, 325  
CPC .... G06F 3/048; G06F 3/0481; G06F 3/04817;  
G06F 3/0482; G06F 3/0483; G06F  
3/04842; G06F 3/0485; G06F 3/04855;  
G06F 3/0486; G06F 3/0488; G06F  
3/04886; G06F 9/4443; G06F 17/211;  
G06F 17/212; A62C 3/006; F24C 15/20;  
F24C 15/2021; F24C 15/2028; B01J  
20/3295; A23L 5/10

See application file for complete search history.

(56) **References Cited**

U.S. PATENT DOCUMENTS

D557,277 S \* 12/2007 Jewitt ..... D14/491  
D582,939 S \* 12/2008 Neuhaus ..... D14/491  
D676,860 S \* 2/2013 Russell ..... D14/486

(Continued)

(57) **CLAIM**

We claim the ornamental design for a display screen or portion thereof with animated graphical user interface, as shown and described.

**DESCRIPTION**

FIG. 1 is the first image in a sequence for a display screen or portion thereof with animated graphical user interface showing our new design;

FIG. 2 is the second image thereof;

FIG. 3 is the third image thereof;

FIG. 4 is the fourth image thereof;

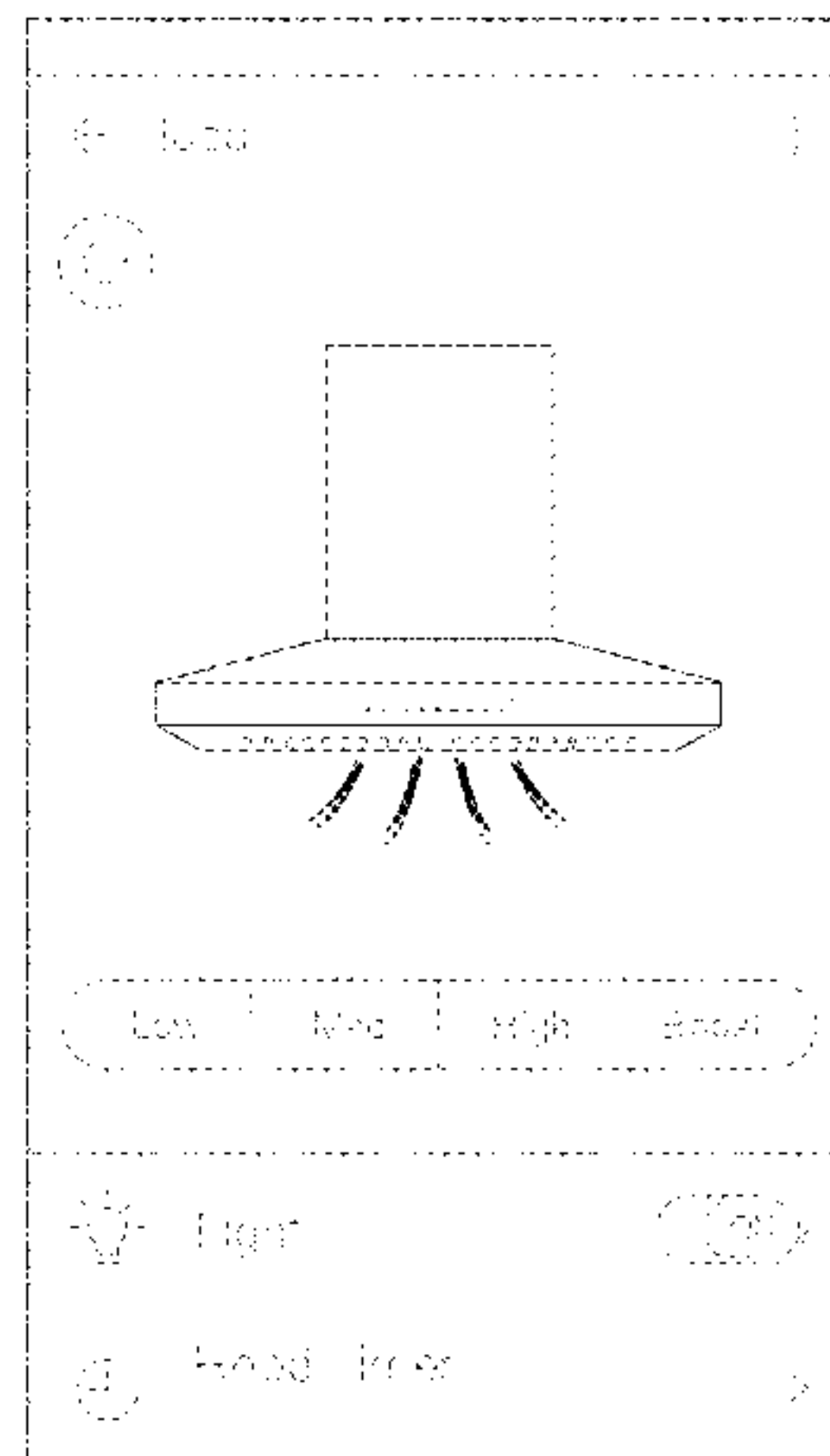
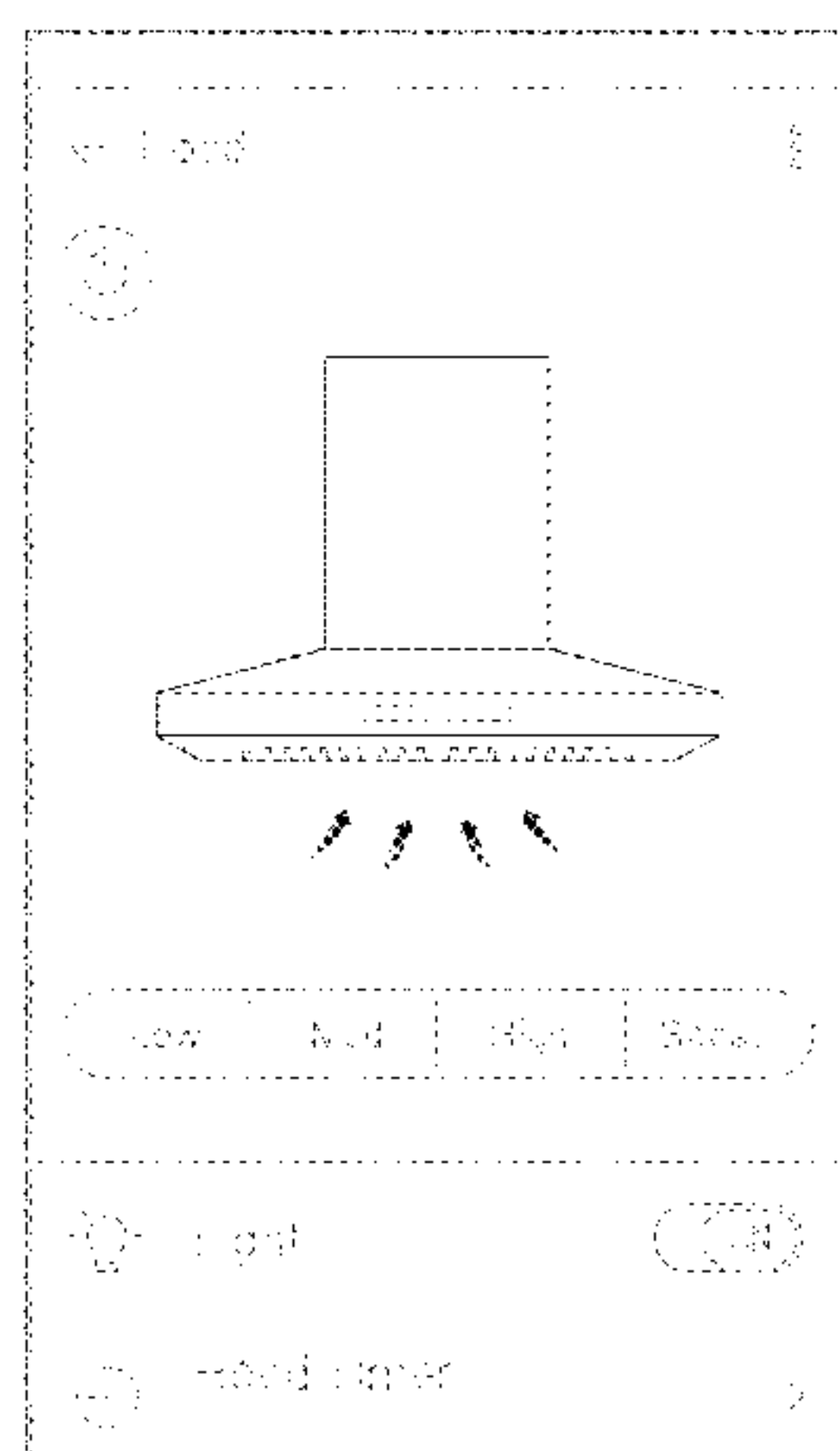
FIG. 5 is the fifth image thereof; and,

FIG. 6 is the sixth image thereof.

The broken lines in the figures depict environmental subject matter and form no part of the claimed design. The dot-dash broken lines show a display screen or portion thereof and form no part of the claimed design.

The appearance of the animated user interface sequentially transitions between the images shown in FIGS. 1-6. The process or period in which one image transitions to another forms no part of the claimed design.

**1 Claim, 6 Drawing Sheets**



(56)

**References Cited**

## U.S. PATENT DOCUMENTS

8,795,040 B2 \* 8/2014 Burdett ..... F24C 15/2021  
250/334  
D715,835 S 10/2014 Montgomery et al.  
9,395,090 B2 \* 7/2016 Corleoni ..... F24C 15/20  
D778,317 S \* 2/2017 Lee ..... D14/492  
9,581,338 B2 \* 2/2017 Yamanaka ..... F24C 15/2021  
2006/0278216 A1 \* 12/2006 Gagas ..... F24C 15/2028  
126/299 D  
2010/0101413 A1 \* 4/2010 Jones ..... B01J 20/3295  
95/141  
2010/0269815 A1 \* 10/2010 Casoli ..... F24C 15/2021  
126/299 R  
2012/0152226 A1 \* 6/2012 Oagley ..... F24C 15/20  
126/299 D  
2016/0030782 A1 \* 2/2016 Livchak ..... A62C 3/006  
169/46  
2018/0073744 A1 \* 3/2018 Ji ..... A23L 5/10

## OTHER PUBLICATIONS

“Cooker hood, exhaust hood, extractor hood, kitchen hood” Jun. 24, 2016, posted at iconfinder.com, [site visited Mar. 26, 2018]. [https://www.iconfinder.com/icons/1279581/cooker\\_hood\\_exhaust\\_hood\\_extractor\\_hood\\_kitchen\\_hood\\_range\\_hood\\_icon#size=512](https://www.iconfinder.com/icons/1279581/cooker_hood_exhaust_hood_extractor_hood_kitchen_hood_range_hood_icon#size=512).\*

Lstiburek, Joseph, “BSI-070: First Deal with the Manure and Then Don’t Suck” Jun. 11, 2014, posted at buildingscience.com, [site visited Mar. 26, 2018]. <https://buildingscience.com/documents/insights/bsi-070-first-deal-with-the-manure>.\*

“Ring Vac Compressed Air Conveying System” Mar. 21, 2011, posted at youtube.com, [site visited Mar. 26, 2018].\*

\* cited by examiner

FIG. 1

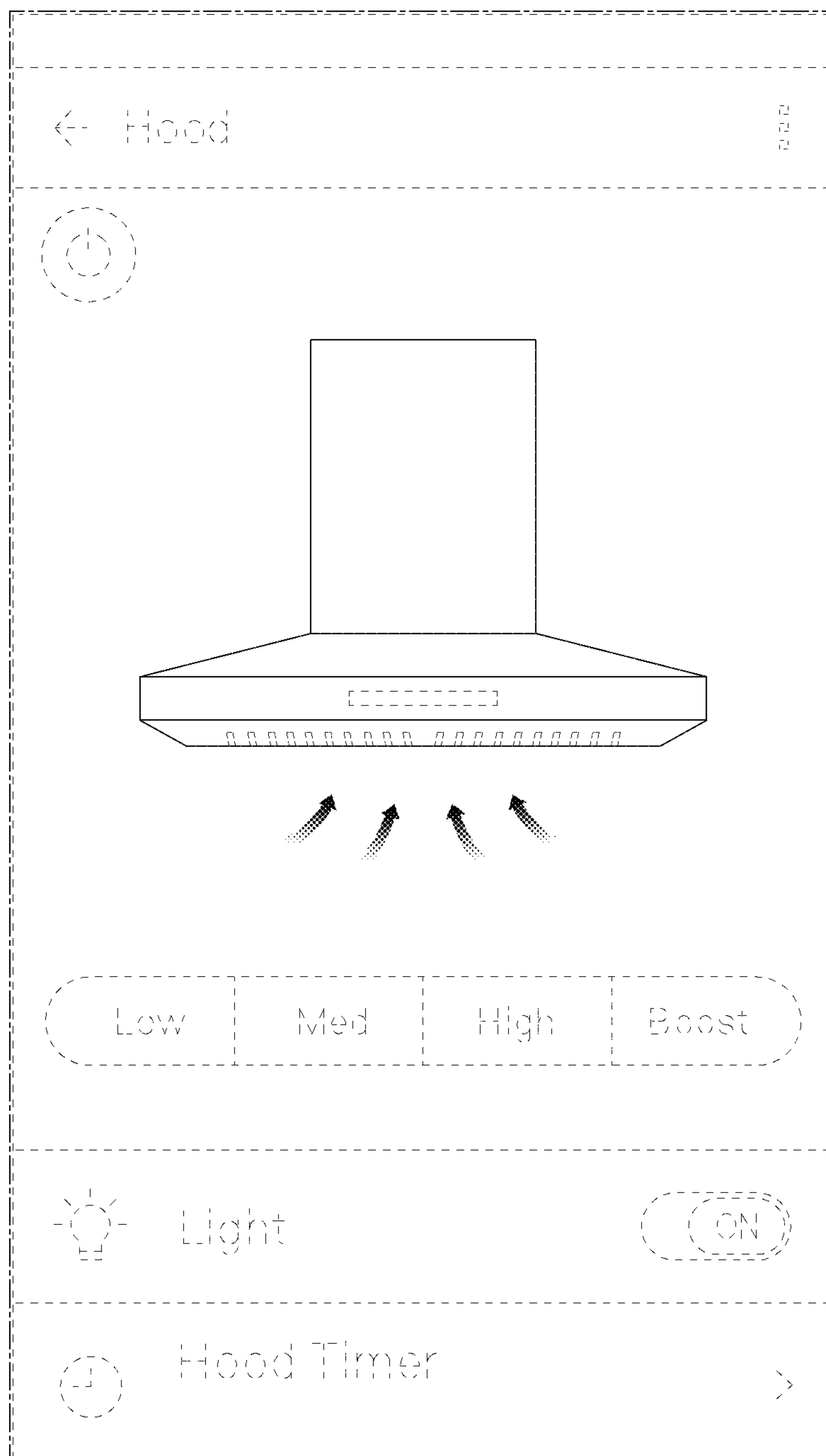


FIG. 2

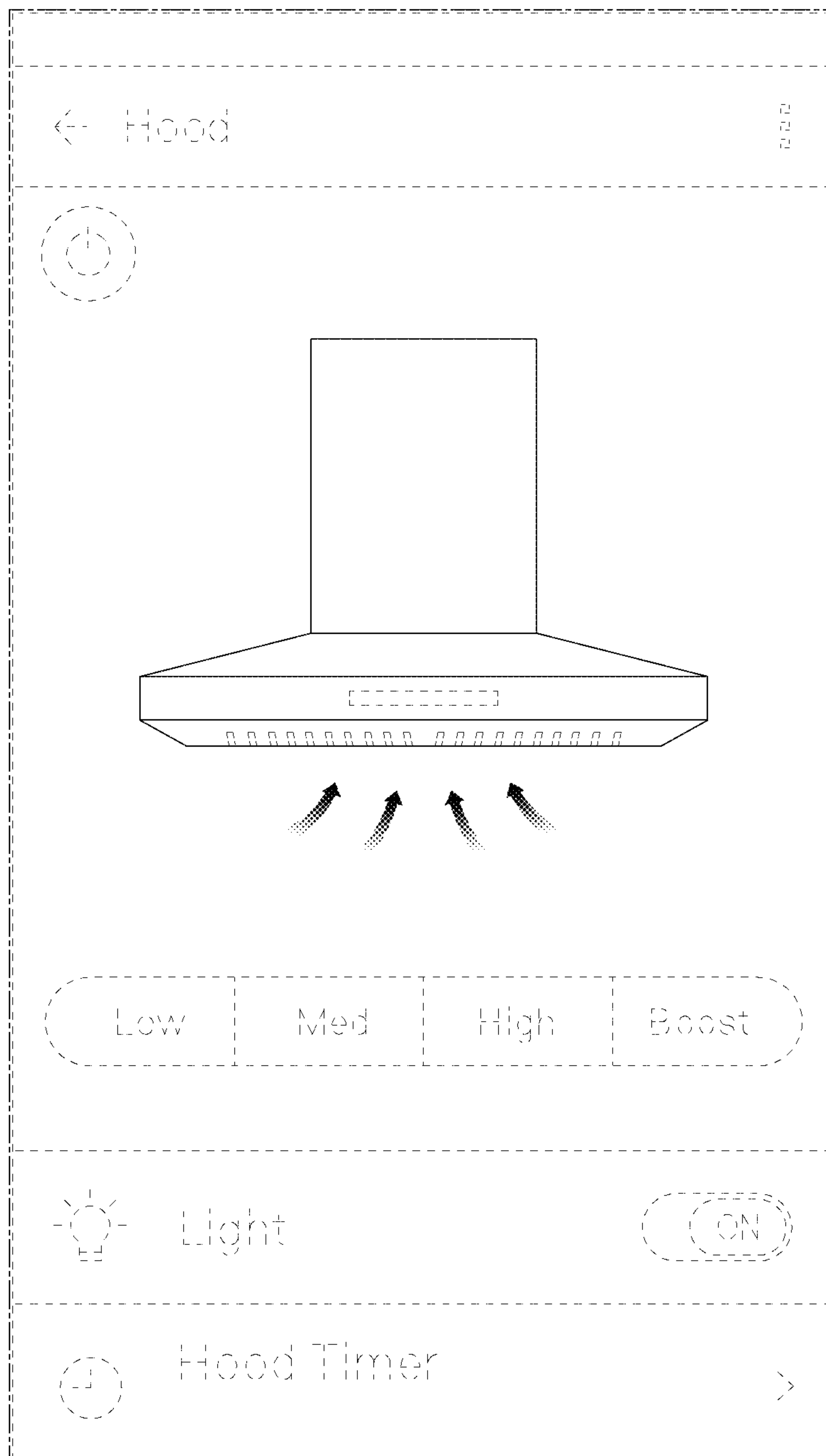


FIG. 3

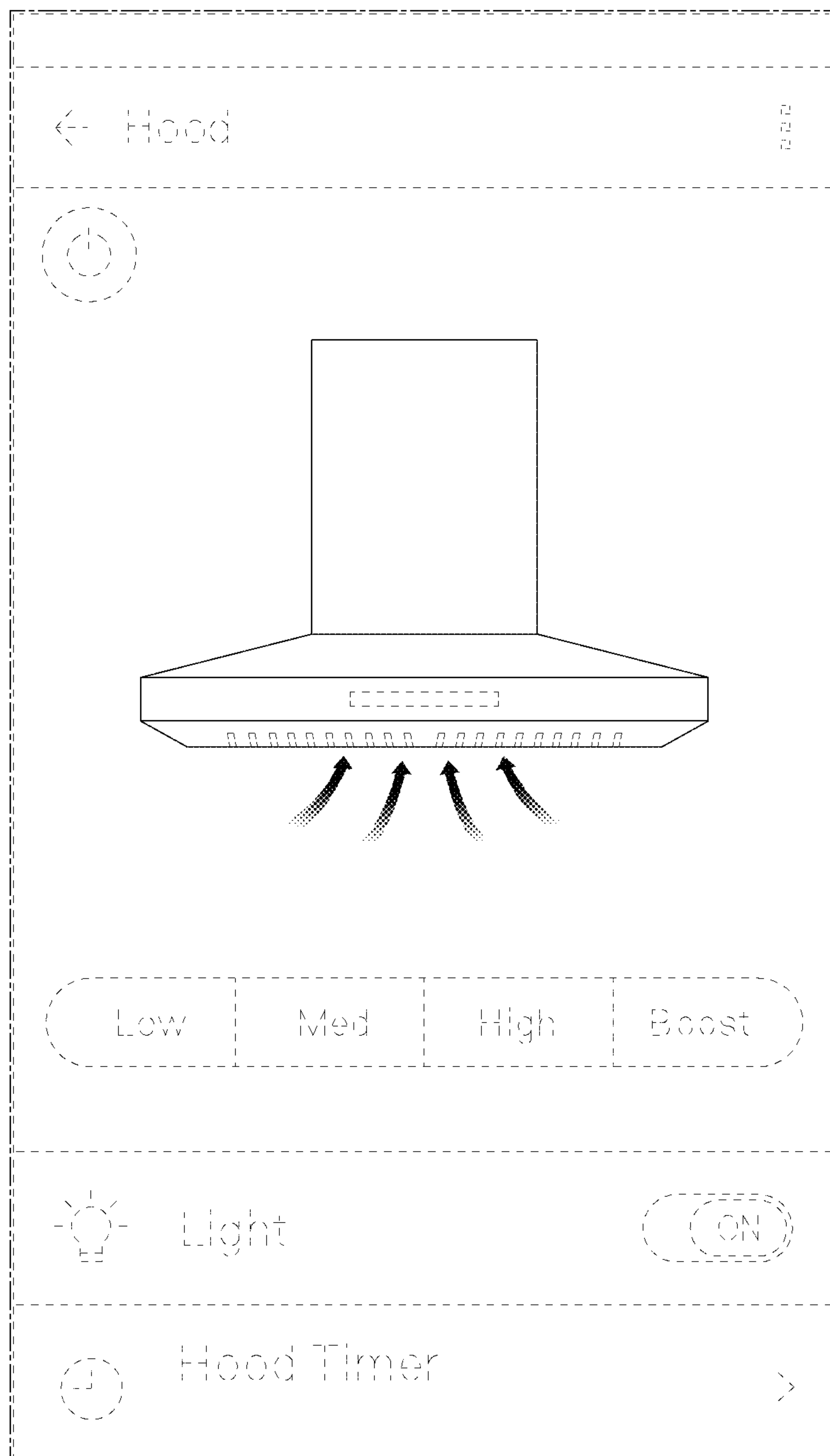


FIG. 4

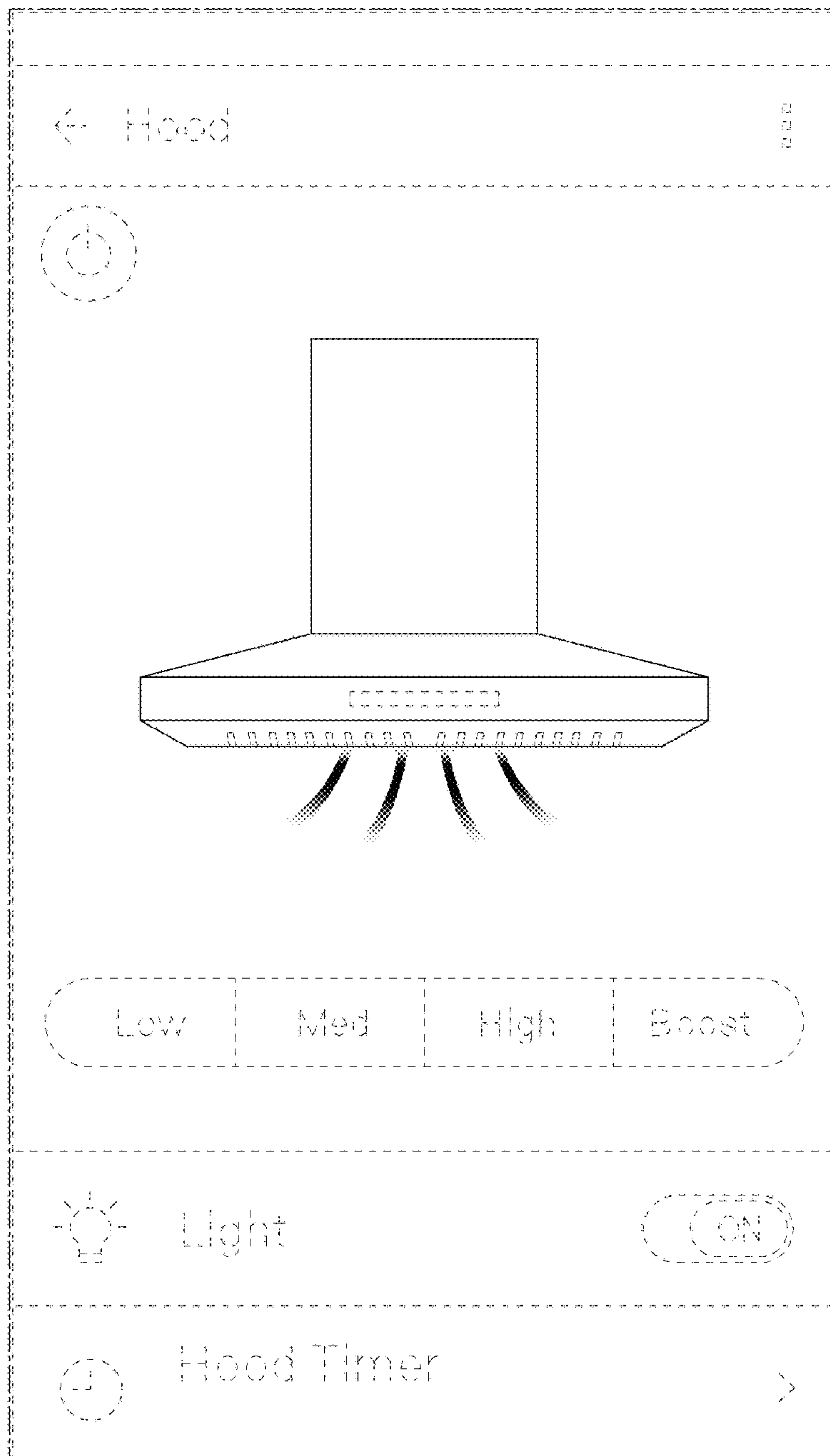


FIG. 5

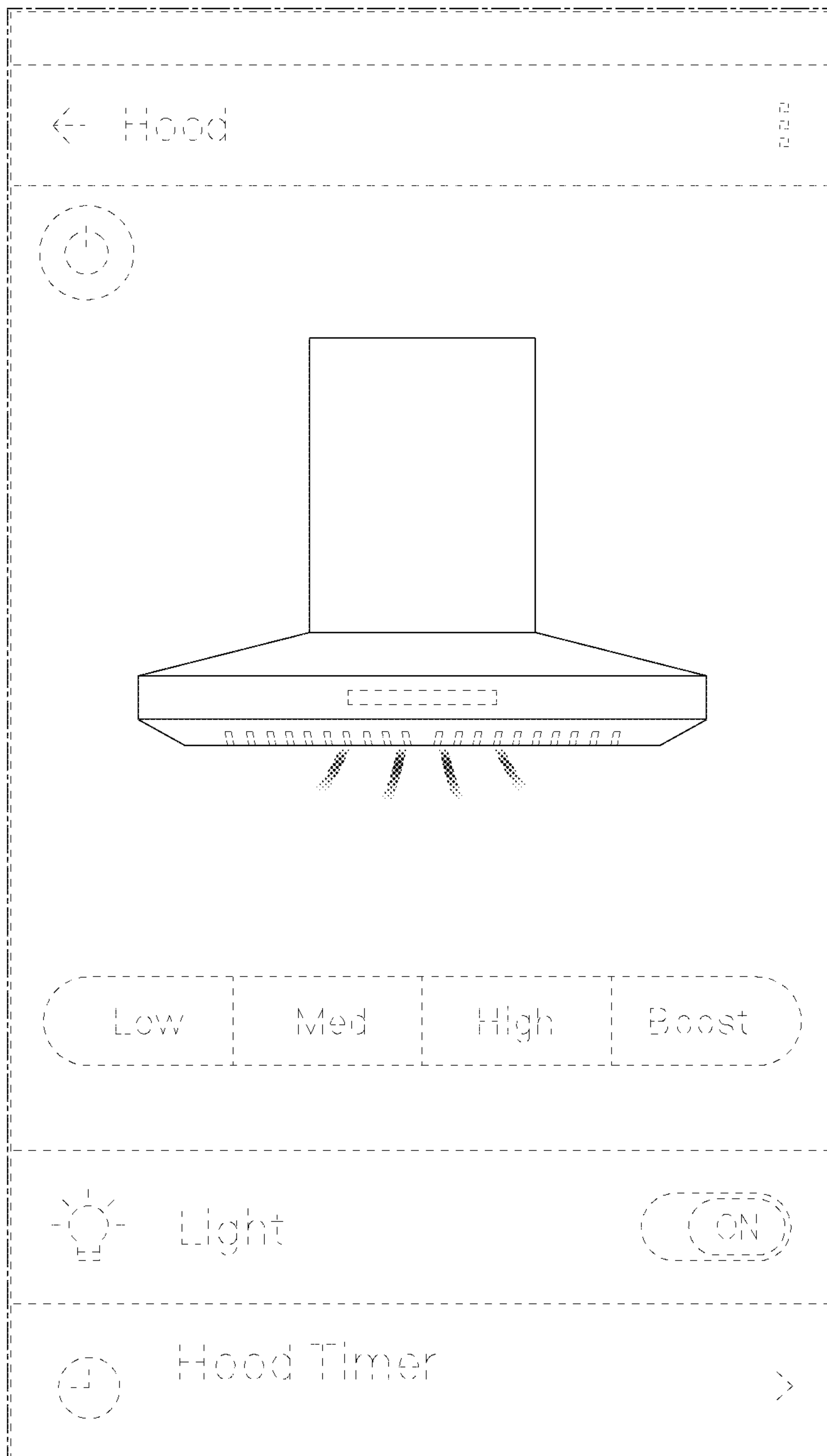


FIG. 6

