



US00D834043S

(12) **United States Design Patent**  
**Di Nicola et al.**

(10) **Patent No.:** **US D834,043 S**

(45) **Date of Patent:** **\*\* Nov. 20, 2018**

(54) **DISPLAY SCREEN WITH ANIMATED GRAPHICAL USER INTERFACE**

(71) Applicant: **Conio Inc.**, San Francisco, CA (US)

(72) Inventors: **Vincenzo Di Nicola**, Kirkland, WA (US); **Cristiano Miccoli**, Arese (IT); **Marco Pesani**, Como (IT)

(73) Assignee: **Conio Inc.**, San Francisco, CA (US)

(\*\*) Term: **15 Years**

(21) Appl. No.: **29/653,745**

(22) Filed: **Jun. 18, 2018**

**Related U.S. Application Data**

(62) Division of application No. 29/604,978, filed on May 22, 2017, now Pat. No. Des. 824,404.

(51) **LOC (11) Cl.** ..... **14-04**

(52) **U.S. Cl.**  
USPC ..... **D14/485**

(58) **Field of Classification Search**  
USPC ..... D14/485-495; D9/607, 634, 635, 637, D9/652, 667; D20/10, 11, 22-33, 39, 40  
CPC .. G06F 3/048-3/04897; G06F 17/3005; G06F 17/30112; G06F 17/30716; G06Q 30/0601; G06Q 30/0641; G06Q 10/063114; H04N 1/00477; G11B 27/34  
See application file for complete search history.

(56) **References Cited**

**U.S. PATENT DOCUMENTS**

- D619,593 S \* 7/2010 Fujioka ..... D14/485
- D751,108 S \* 3/2016 Caldwell ..... G06T 11/206  
D14/486
- D752,105 S \* 3/2016 Lee ..... G06F 3/04817  
D14/494
- D760,740 S \* 7/2016 Agostini ..... D14/485

- D762,682 S \* 8/2016 Vinna ..... D14/486
- D776,674 S \* 1/2017 Raykovich ..... D14/485
- D801,998 S \* 11/2017 Im ..... D14/486
- D817,987 S \* 5/2018 Broughton ..... D14/486
- D822,054 S \* 7/2018 Persson ..... D14/487
- D824,404 S \* 7/2018 Di Nicola ..... D14/485
- D825,600 S \* 8/2018 Chaudhri ..... D14/486
- 2011/0271186 A1 \* 11/2011 Owens ..... G06F 3/04847  
715/716

(Continued)

**OTHER PUBLICATIONS**

4K UHD Gravity Balls Falling Animation, by AA VFX, YouTube [online], published on Jun. 28, 2014, [retrieved on Aug. 27, 2018], retrieved from the Internet <URL:https://www.youtube.com/watch?v=MfAu835u9Sk> (Year: 2014).\*

*Primary Examiner* — Cathron C Brooks

*Assistant Examiner* — Ian F Whitmore

(74) *Attorney, Agent, or Firm* — Carr & Ferrell LLP

(57) **CLAIM**

The ornamental design for a display screen with an animated graphical user interface, as shown and described.

**DESCRIPTION**

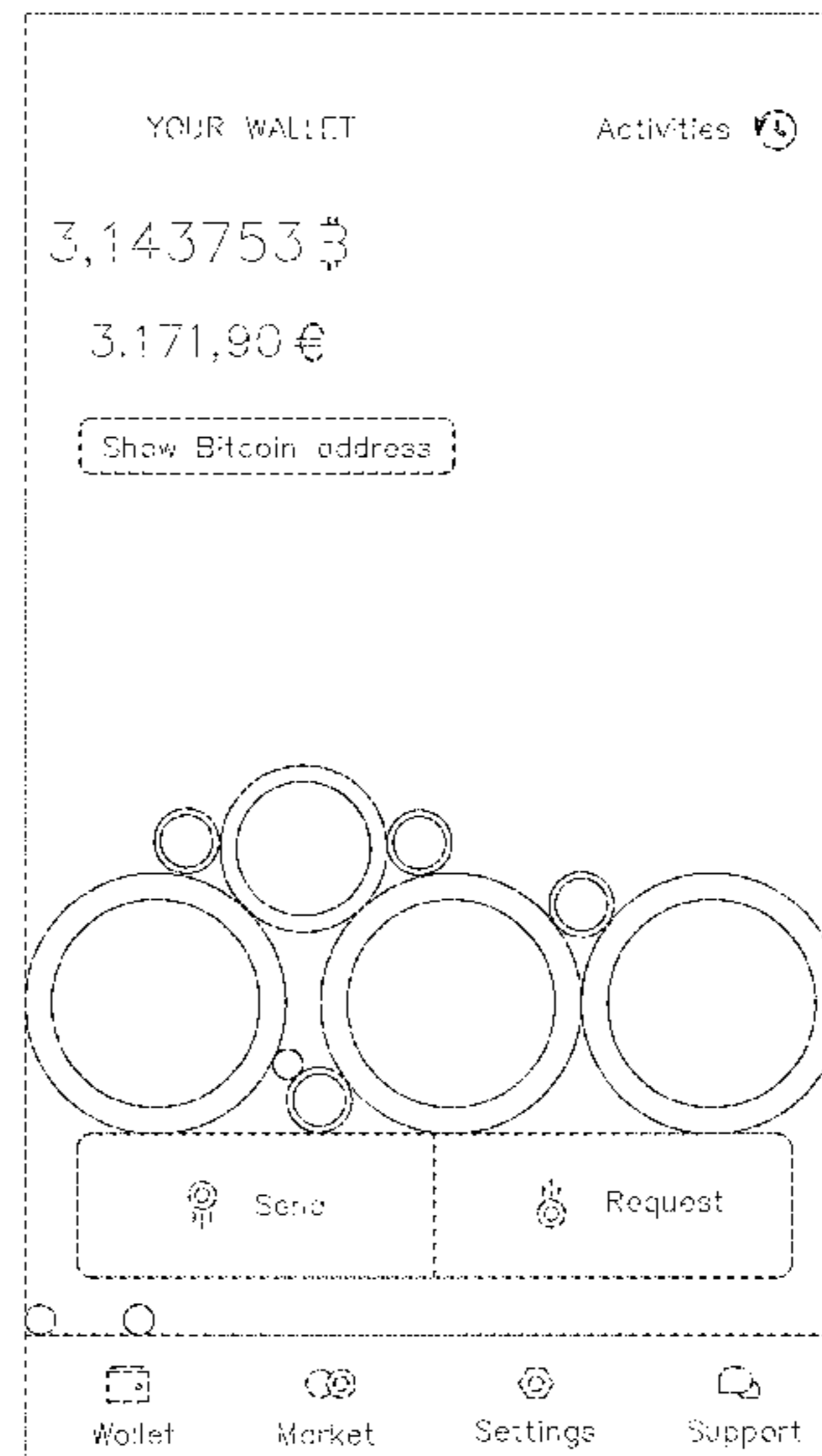
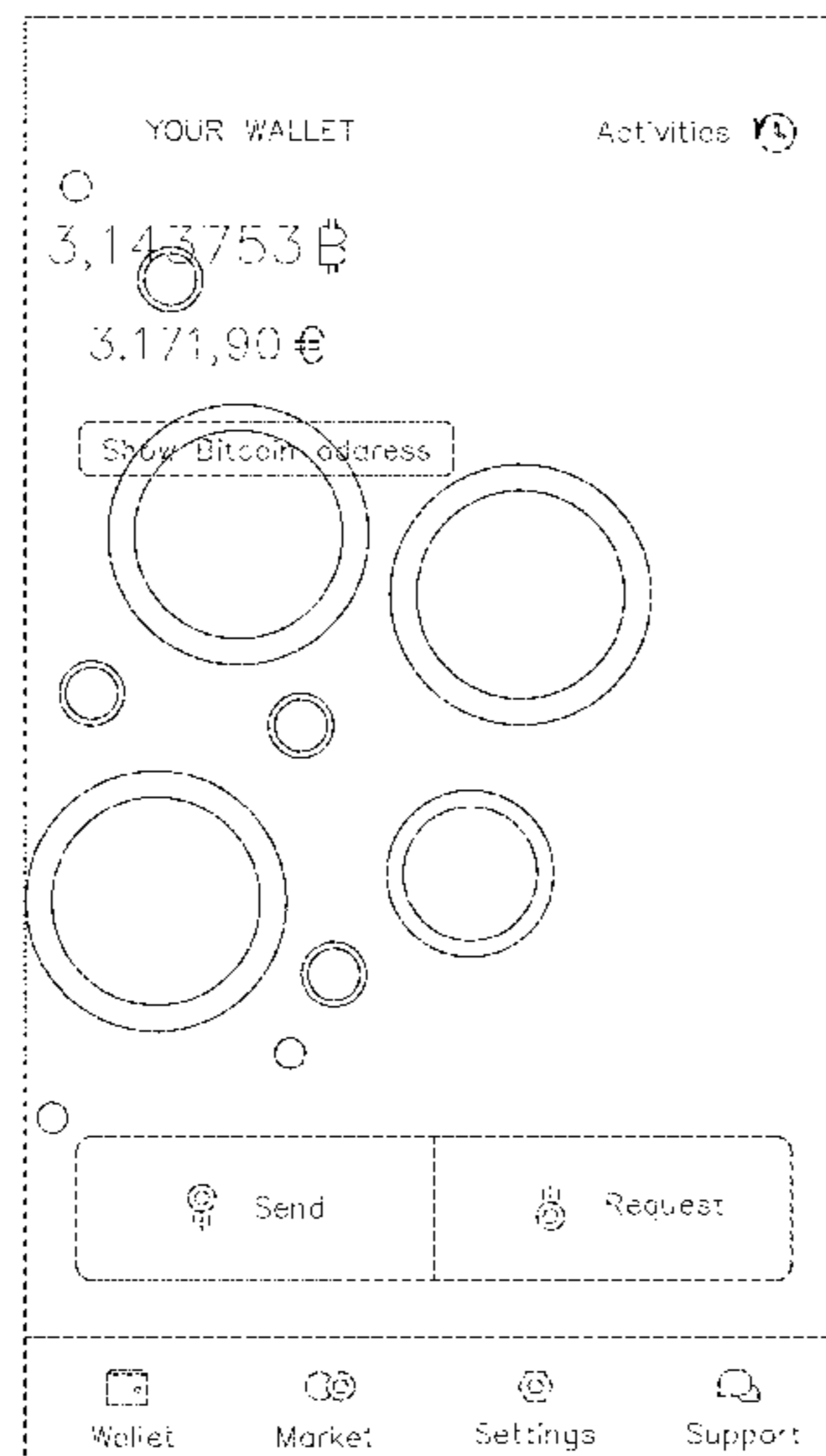
FIG. 1 is the first image in a sequence of a display screen with an animated graphical user interface according to our new design;

FIG. 2 is the second image thereof; and,

FIG. 3 is the third image thereof.

The appearance of the display screen with an animated graphical user interface sequentially transitions between the images shown in FIGS. 1-3. The process or period in which one image transitions to another forms no part of the claimed design. The outermost broken-line perimeter illustrates a display screen and forms no part of the claimed design. The remaining broken lines illustrate portions of a graphical user interface and form no part of the claimed design.

**1 Claim, 3 Drawing Sheets**



(56)

**References Cited**

U.S. PATENT DOCUMENTS

2017/0300212 A1\* 10/2017 Vinna ..... G06F 3/04817

\* cited by examiner

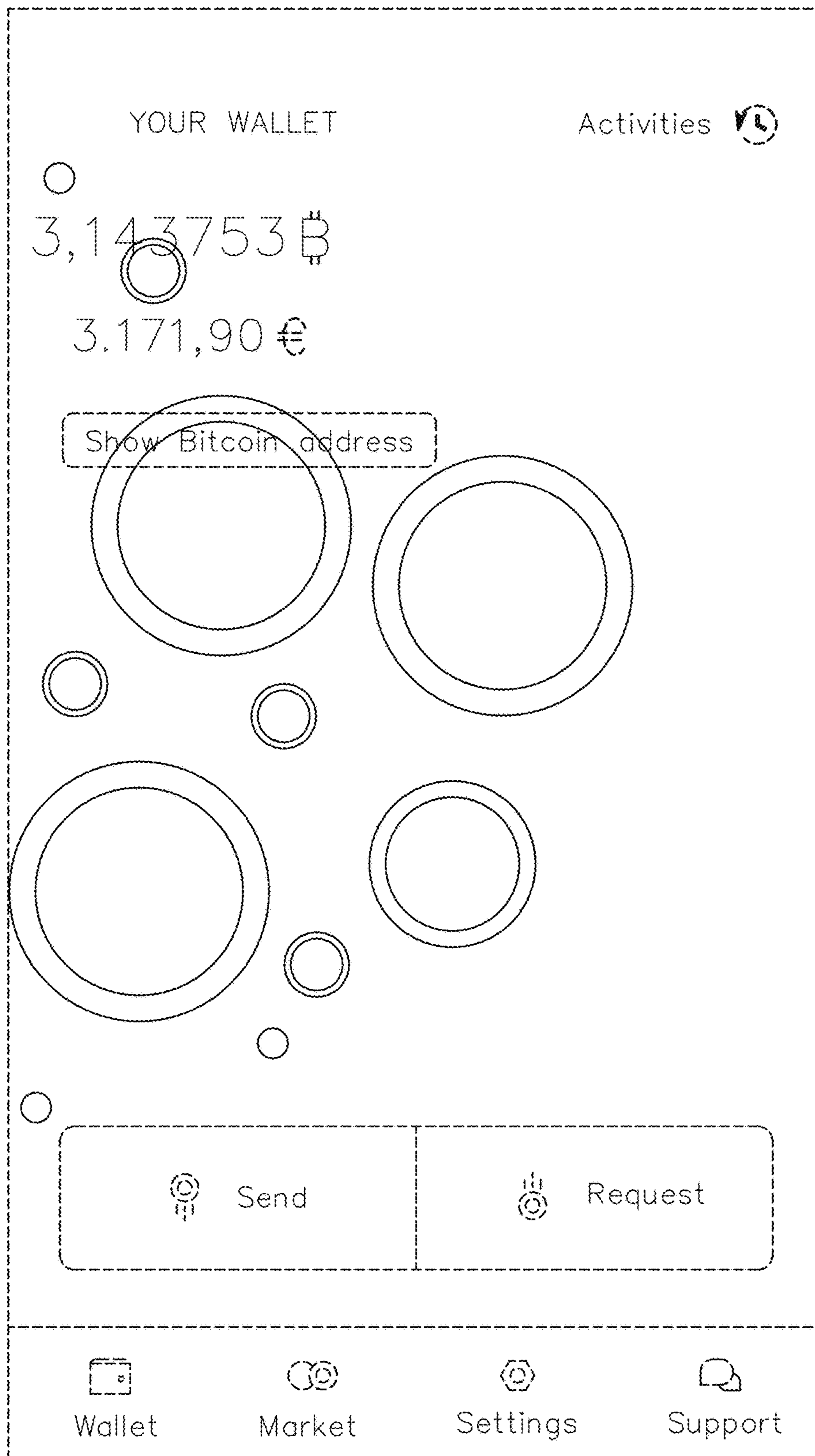


FIG. 1

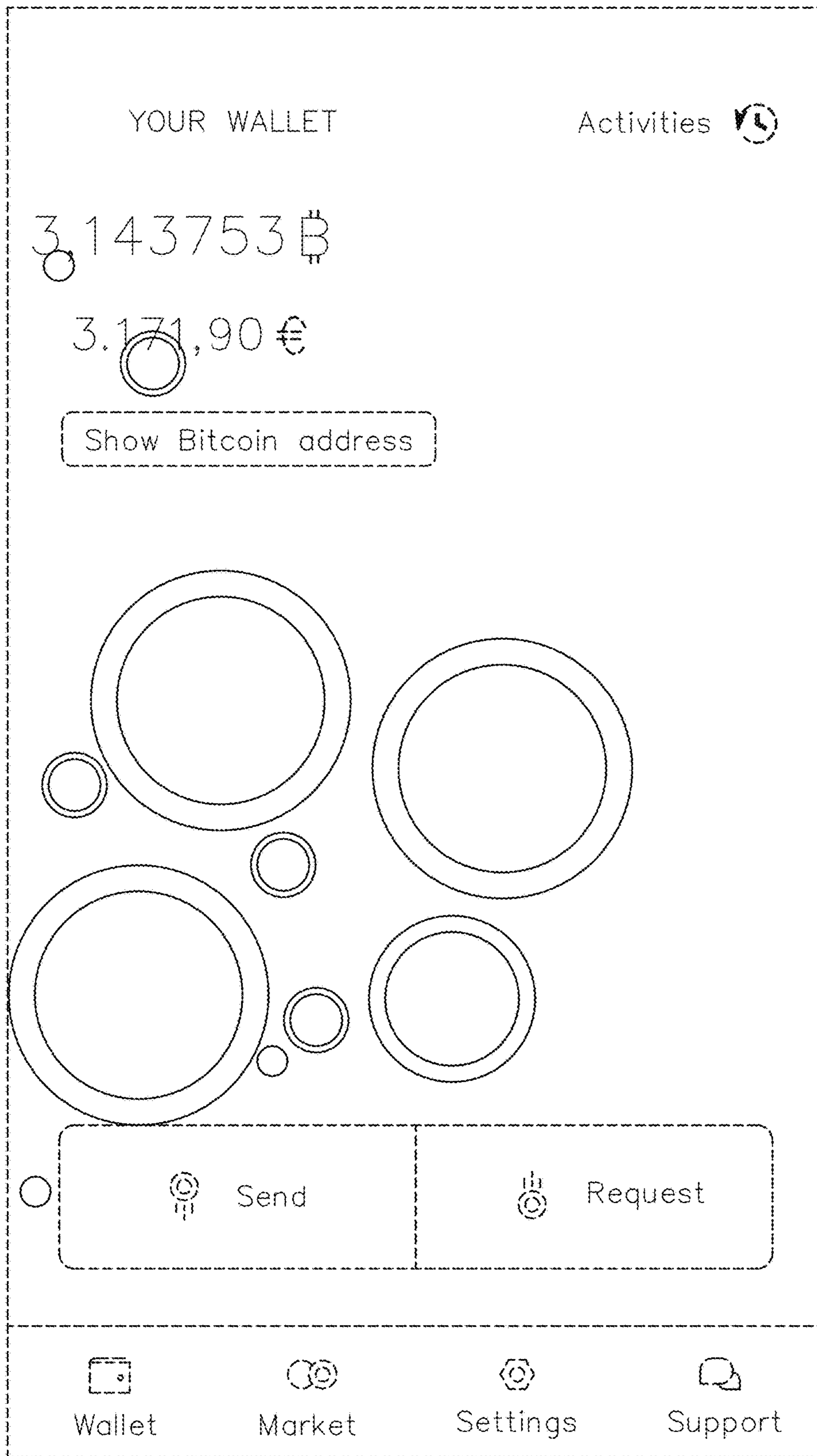


FIG. 2

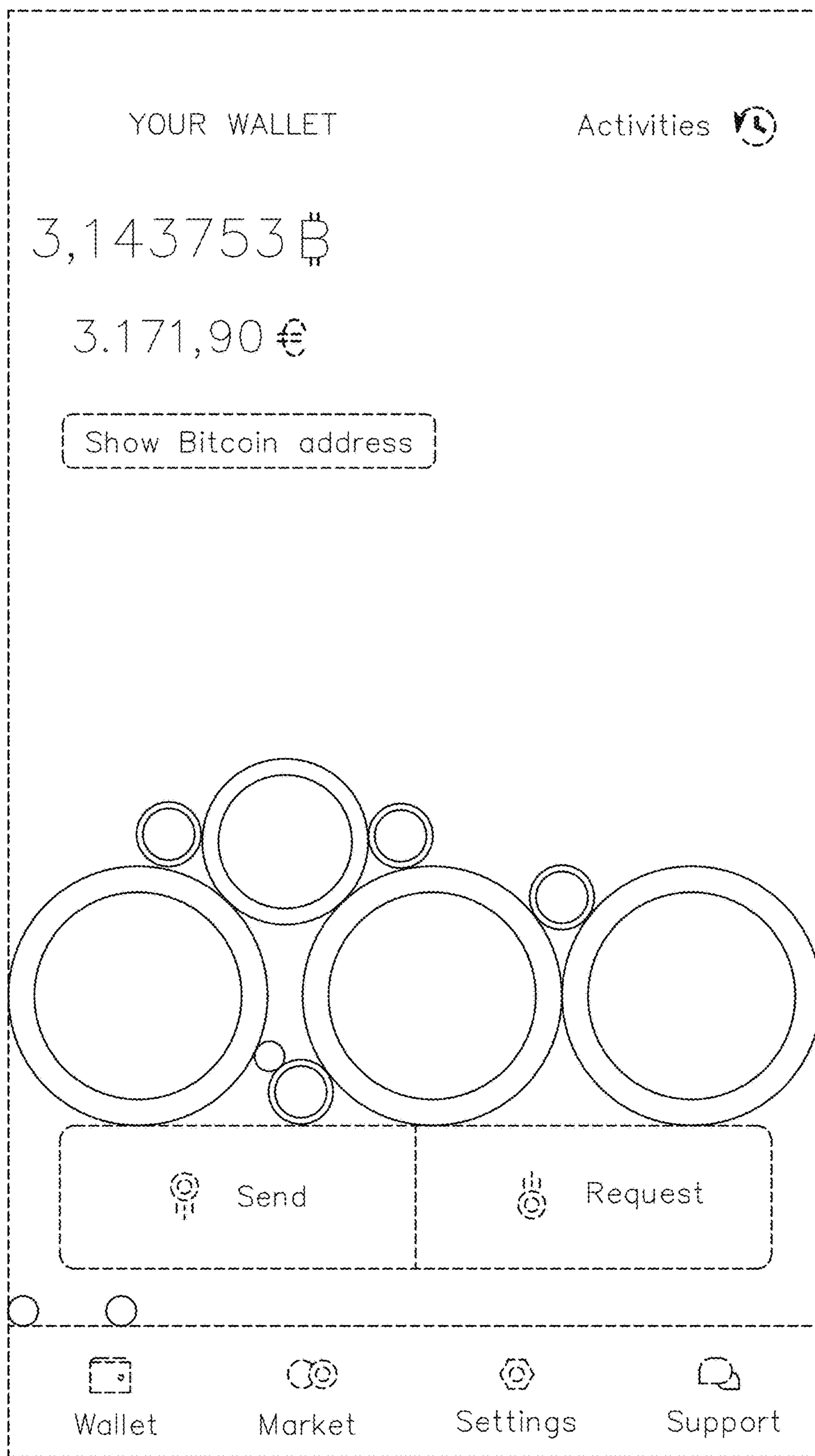


FIG. 3