



US00D834033S

(12) **United States Design Patent**
Luo

(10) **Patent No.:** **US D834,033 S**

(45) **Date of Patent:** **** Nov. 20, 2018**

(54) **KEYBOARD**

(71) Applicant: **SHENZHEN HSMC TECHNOLOGY CO., LTD.**, Shenzhen, Guangdong (CN)

(72) Inventor: **Mengming Luo**, Jiangxi (CN)

(73) Assignee: **SHENZHEN HSMC TECHNOLOGY CO., LTD.**, Shenzhen (CN)

(**) Term: **15 Years**

(21) Appl. No.: **29/606,004**

(22) Filed: **May 31, 2017**

Related U.S. Application Data

(63) Continuation-in-part of application No. 29/582,478, filed on Oct. 27, 2016, which is a continuation-in-part of application No. 29/557,701, filed on Mar. 10, 2016, now Pat. No. Des. 803,254.

(30) **Foreign Application Priority Data**

Mar. 1, 2016	(CN)	2016 3 0056571
Mar. 1, 2016	(CN)	2016 3 0056575
Aug. 1, 2016	(CN)	2016 3 0360655
Aug. 1, 2016	(CN)	2016 3 0360708
Aug. 12, 2016	(CN)	2016 3 0386281
Aug. 12, 2016	(CN)	2016 3 0386563
Jan. 13, 2017	(CN)	2017 3 0012780

(Continued)

(51) **LOC (11) Cl.** **14-02**

(52) **U.S. Cl.**
USPC **D14/455**

(58) **Field of Classification Search**

USPC D14/455, 456, 485, 486, 487
See application file for complete search history.

(56) **References Cited**

U.S. PATENT DOCUMENTS

D324,500	S	*	3/1992	Franklin	D10/46.1
D353,369	S	*	12/1994	Leibengood	D14/455
D364,860	S	*	12/1995	Giebler	D14/456

(Continued)

Primary Examiner — Lakiya G Rogers

Assistant Examiner — Harold E Blackwell, II

(57) **CLAIM**

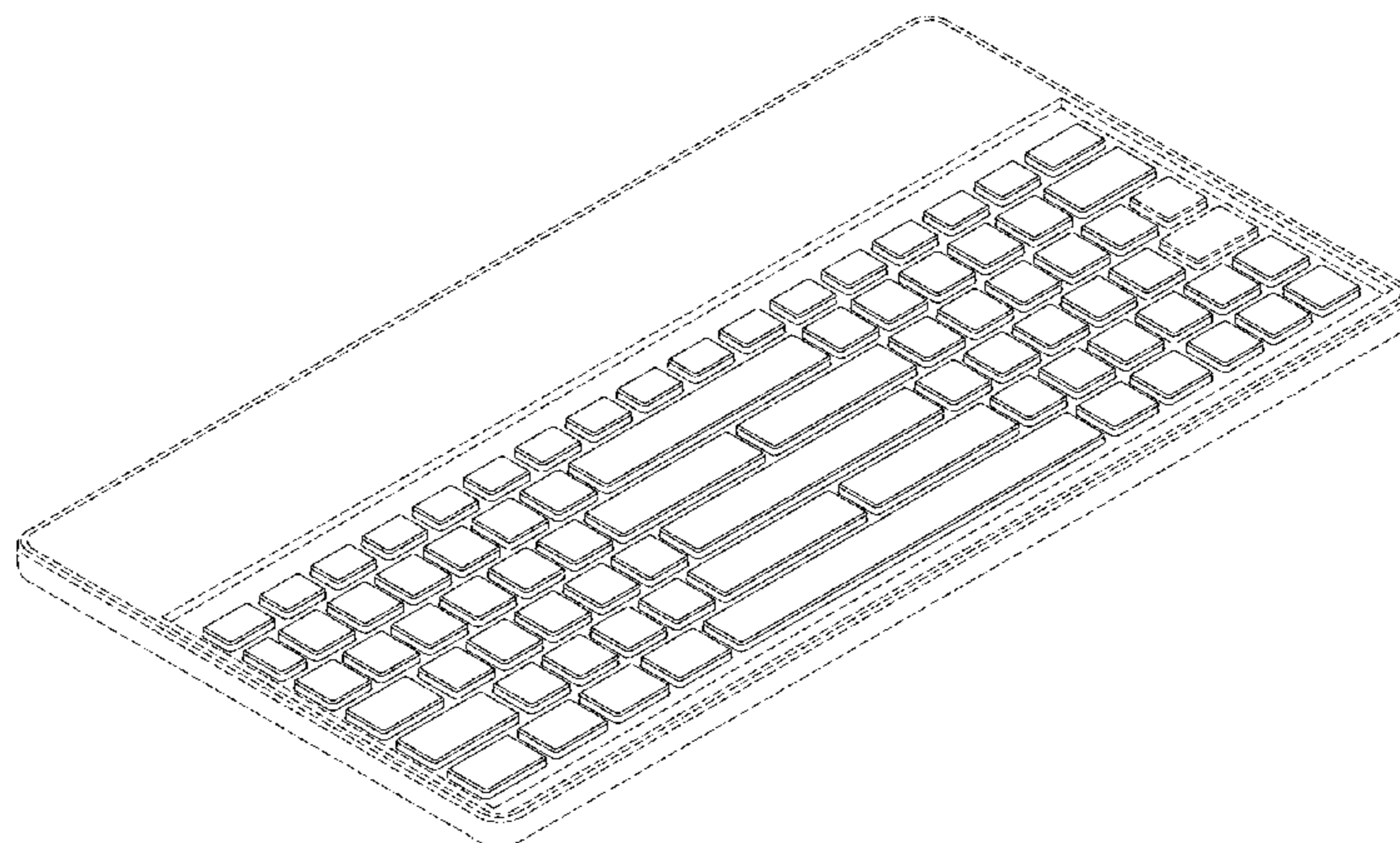
The ornamental design for a keyboard, as shown and described.

DESCRIPTION

FIG. 1 is a perspective view of a first embodiment of a keyboard showing my new design;
 FIG. 2 is a front elevational view of FIG. 1;
 FIG. 3 is a perspective view of a second embodiment of the keyboard;
 FIG. 4 is a front elevational view of FIG. 3;
 FIG. 5 is a perspective view of a third embodiment of the keyboard;
 FIG. 6 is a front elevational view of FIG. 5;
 FIG. 7 is a perspective view of a fourth embodiment of the keyboard;
 FIG. 8 is a front elevational view of FIG. 7;
 FIG. 9 is a front elevational view of FIG. 7 showing the keyboard connected with a mobile phone shell;
 FIG. 10 is a front elevational view of FIG. 7 showing the keyboard in an operation state; and,
 FIG. 11 is a front elevational view of FIG. 9 showing the keyboard in an operation state.

The broken lines showing of letters, symbols, keys, touchpads, and boundaries in the drawings illustrate portions of the keyboard which form no part of the claimed design. The broken lines in FIGS. 9 and 11 showing of a mobile phone

(Continued)



shell form no part of the claimed design. The broken lines in FIGS. 10 and 11 showing of hands form no part of the claimed design.

1 Claim, 11 Drawing Sheets

(30) **Foreign Application Priority Data**

Jan. 13, 2017 (CN) 2017 3 0012789
 Mar. 31, 2017 (CN) 2017 3 0103763

(56) **References Cited**

U.S. PATENT DOCUMENTS

D424,541 S * 5/2000 Mugura D14/486
 D441,762 S * 5/2001 Mugura D14/486
 D524,809 S * 7/2006 Alcouloumre D14/341
 D586,821 S * 2/2009 Koh D14/486
 D669,487 S * 10/2012 Yang D14/486
 D671,552 S * 11/2012 Mori D14/486

D691,618 S * 10/2013 Chen D14/485
 D728,595 S * 5/2015 Yoneda D14/486
 D741,354 S * 10/2015 Lee D14/487
 D743,978 S * 11/2015 Amin D14/486
 D747,334 S * 1/2016 Wang D14/486
 D748,120 S * 1/2016 Bauer D14/486
 D748,121 S * 1/2016 Bauer D14/486
 D748,122 S * 1/2016 Bauer D14/486
 D749,108 S * 2/2016 Bauer D14/486
 D750,648 S * 3/2016 Hatta D14/486
 D752,081 S * 3/2016 Chang D14/486
 D753,703 S * 4/2016 Villamor D14/488
 D759,032 S * 6/2016 Amin D14/485
 D759,704 S * 6/2016 Kettner D14/488
 D764,528 S * 8/2016 Choi D14/488
 D774,077 S * 12/2016 Donnelly D14/488
 D774,521 S * 12/2016 Amin D14/485
 D789,958 S * 6/2017 Snavely D14/486
 D803,254 S * 11/2017 Luo D14/487
 2014/0184515 A1 * 7/2014 Willner G06F 1/1624
 345/169
 2017/0123507 A1 * 5/2017 Luo G06F 3/0216
 2017/0220248 A1 * 8/2017 Luo G06F 3/03547

* cited by examiner

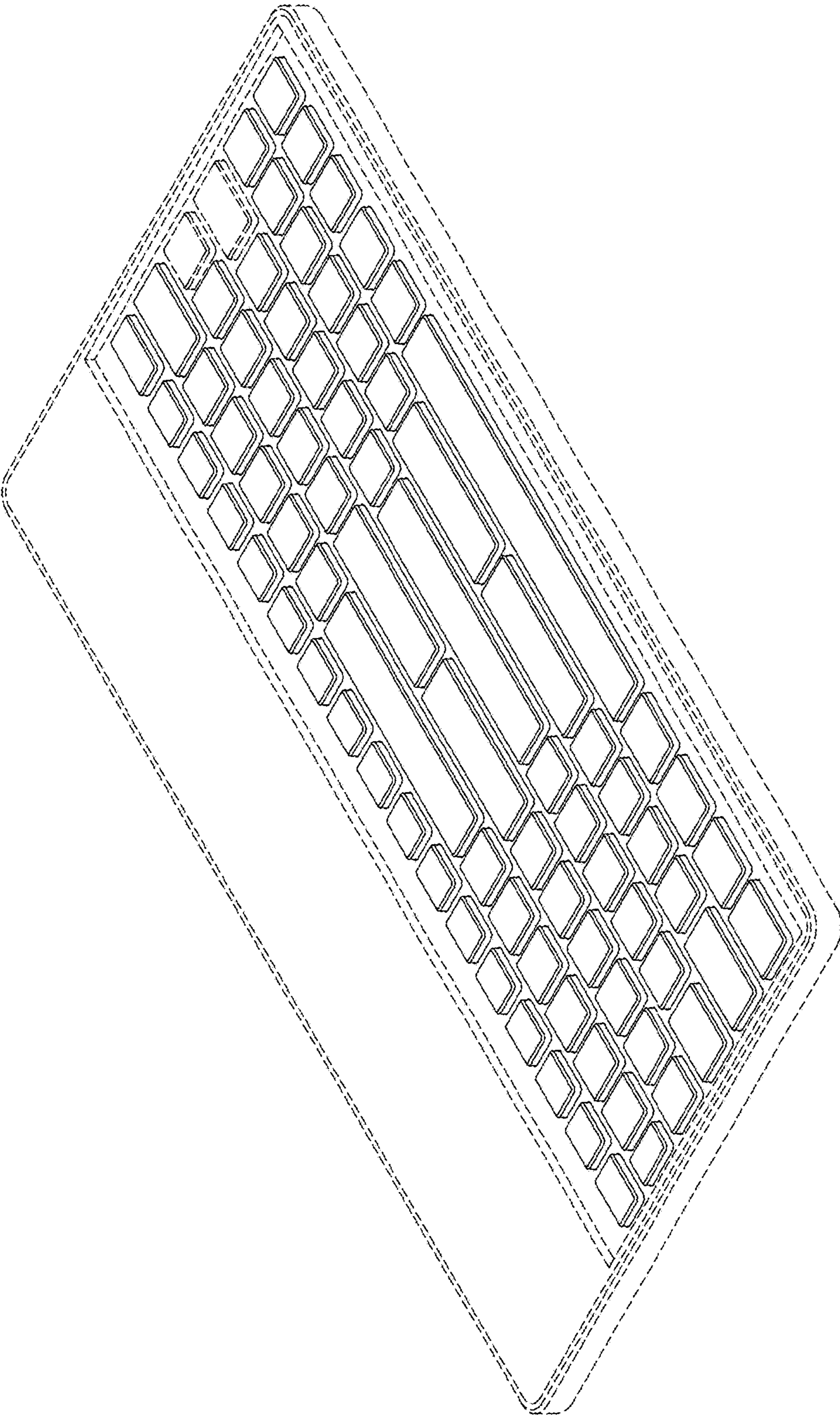


FIG. 1

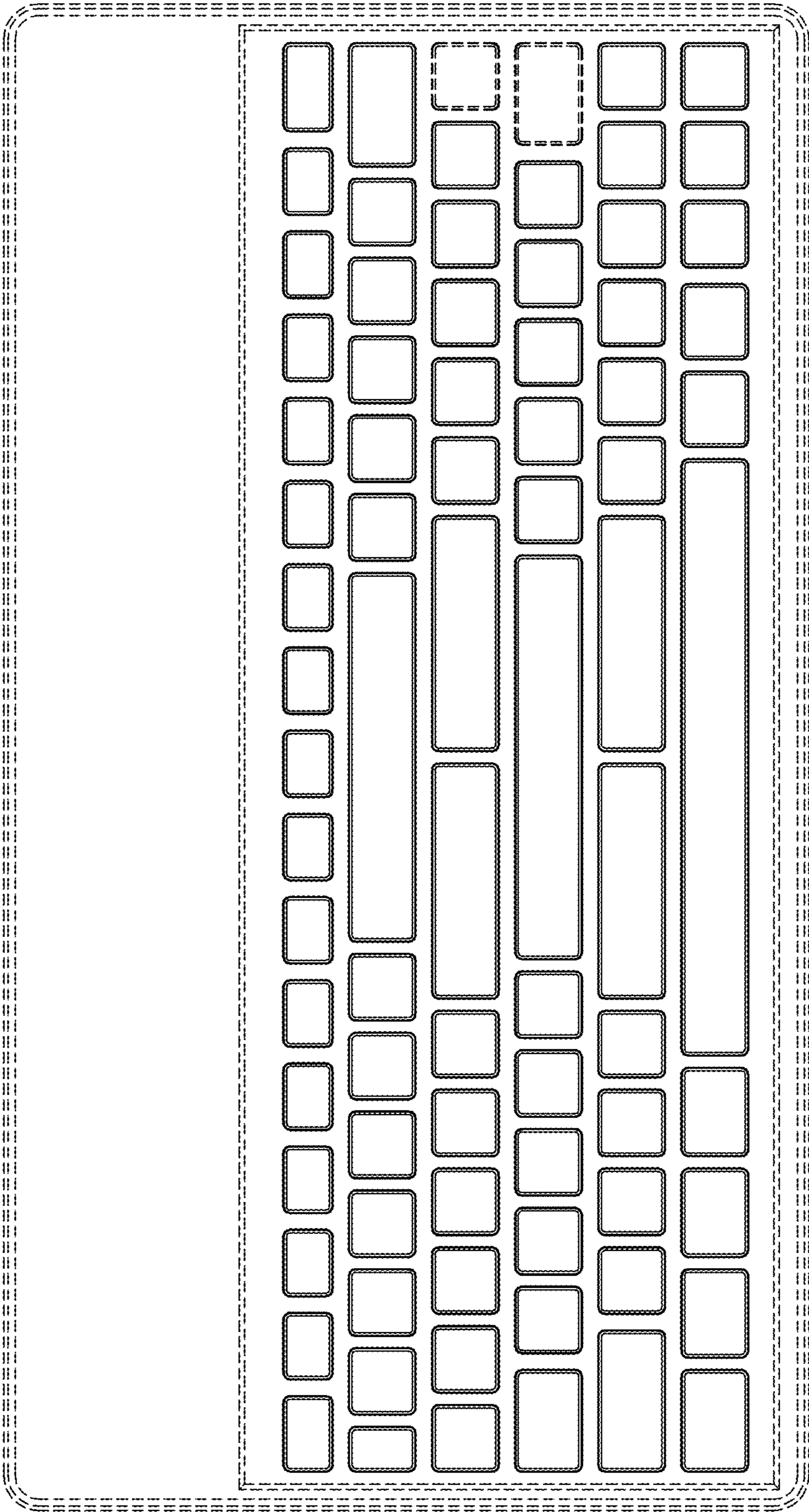


FIG. 2

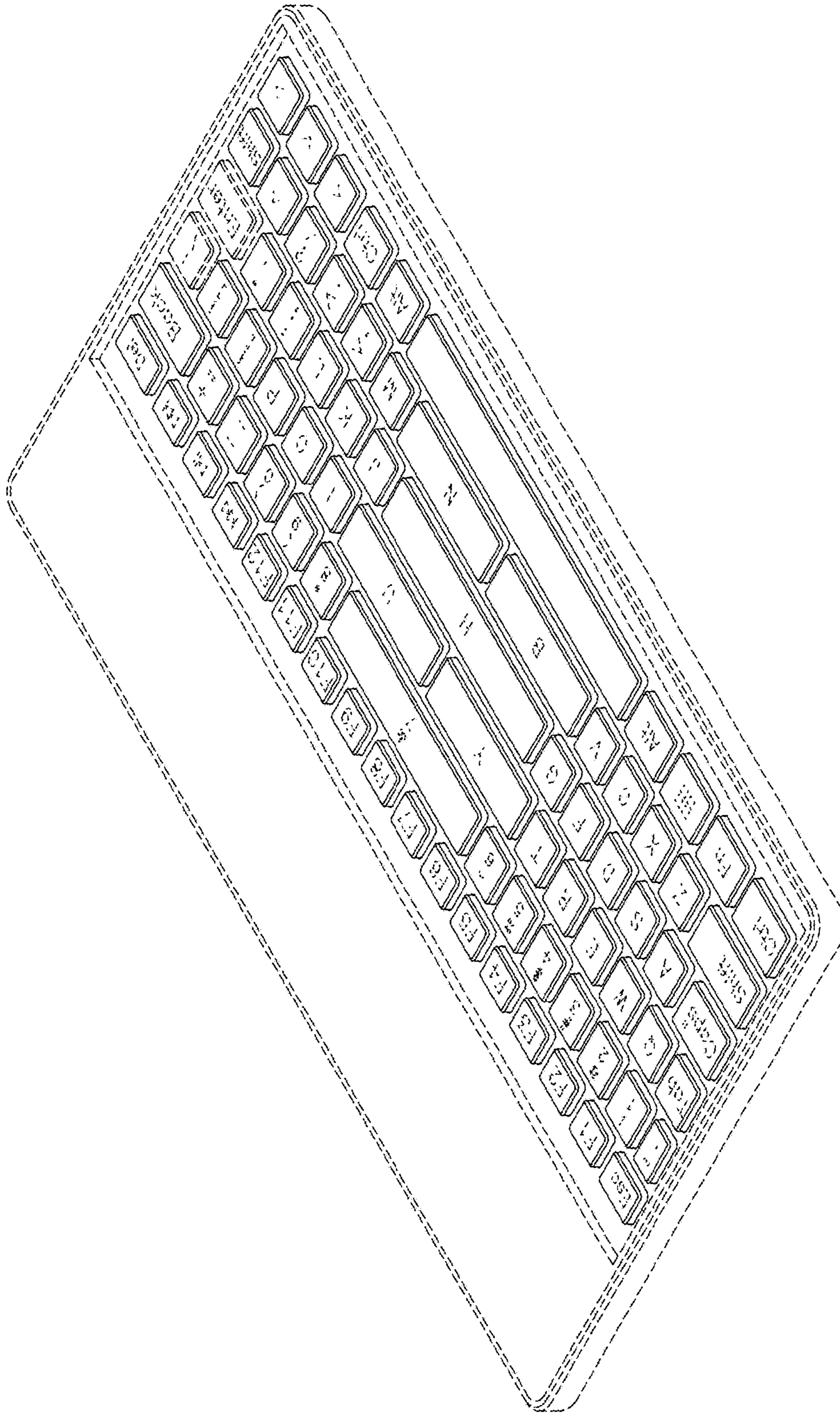


FIG. 3

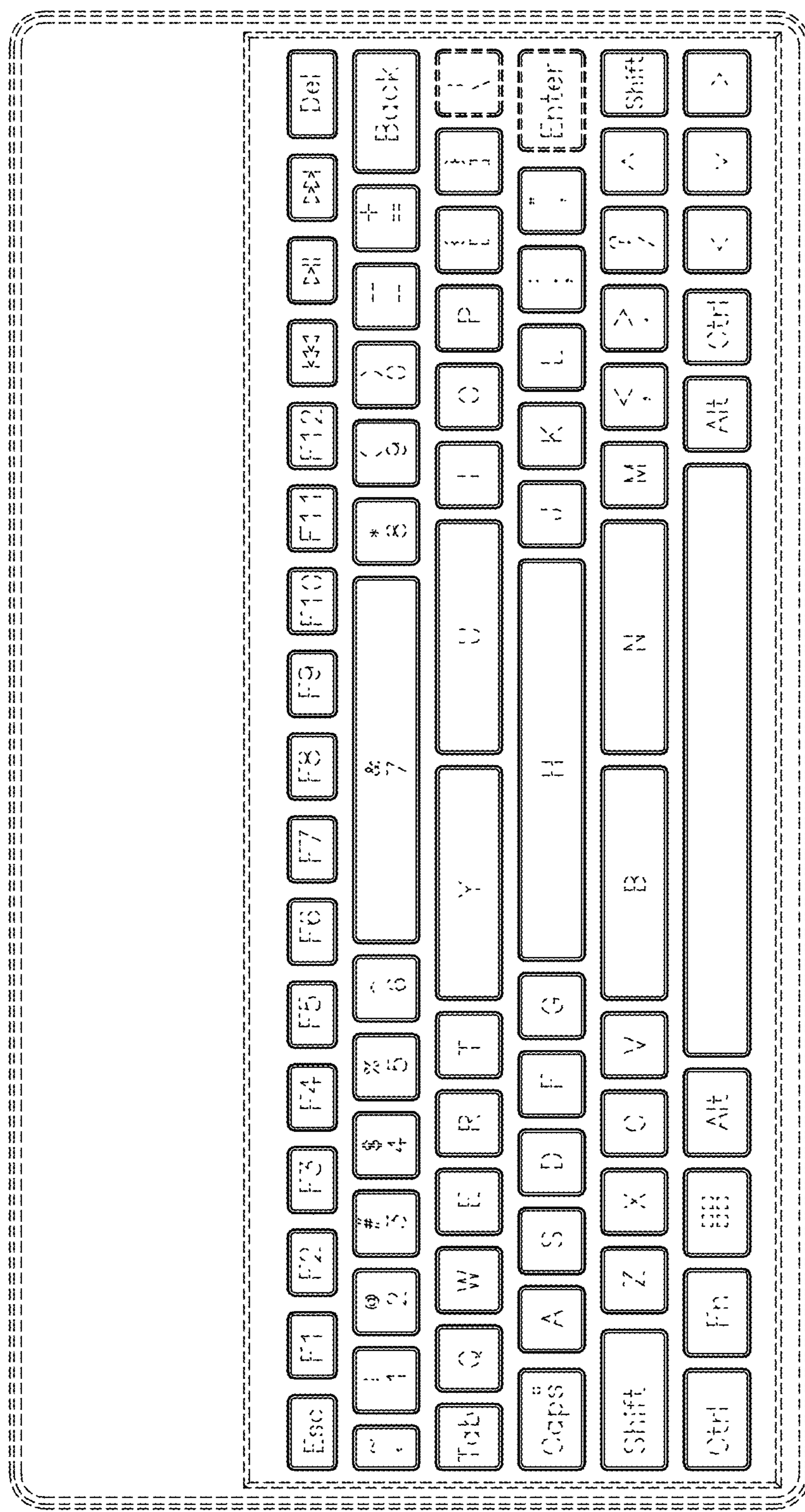


FIG. 4

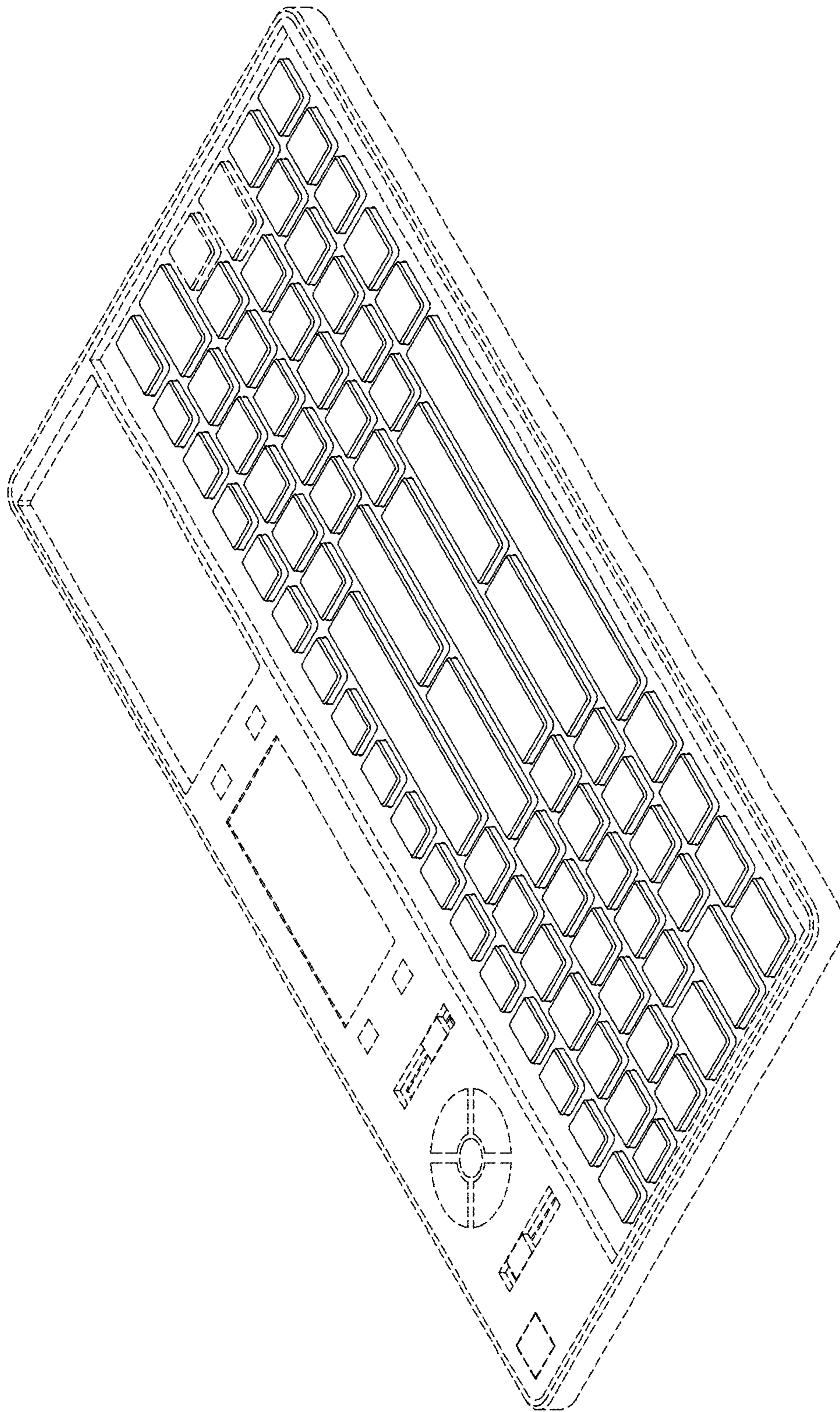


FIG. 5

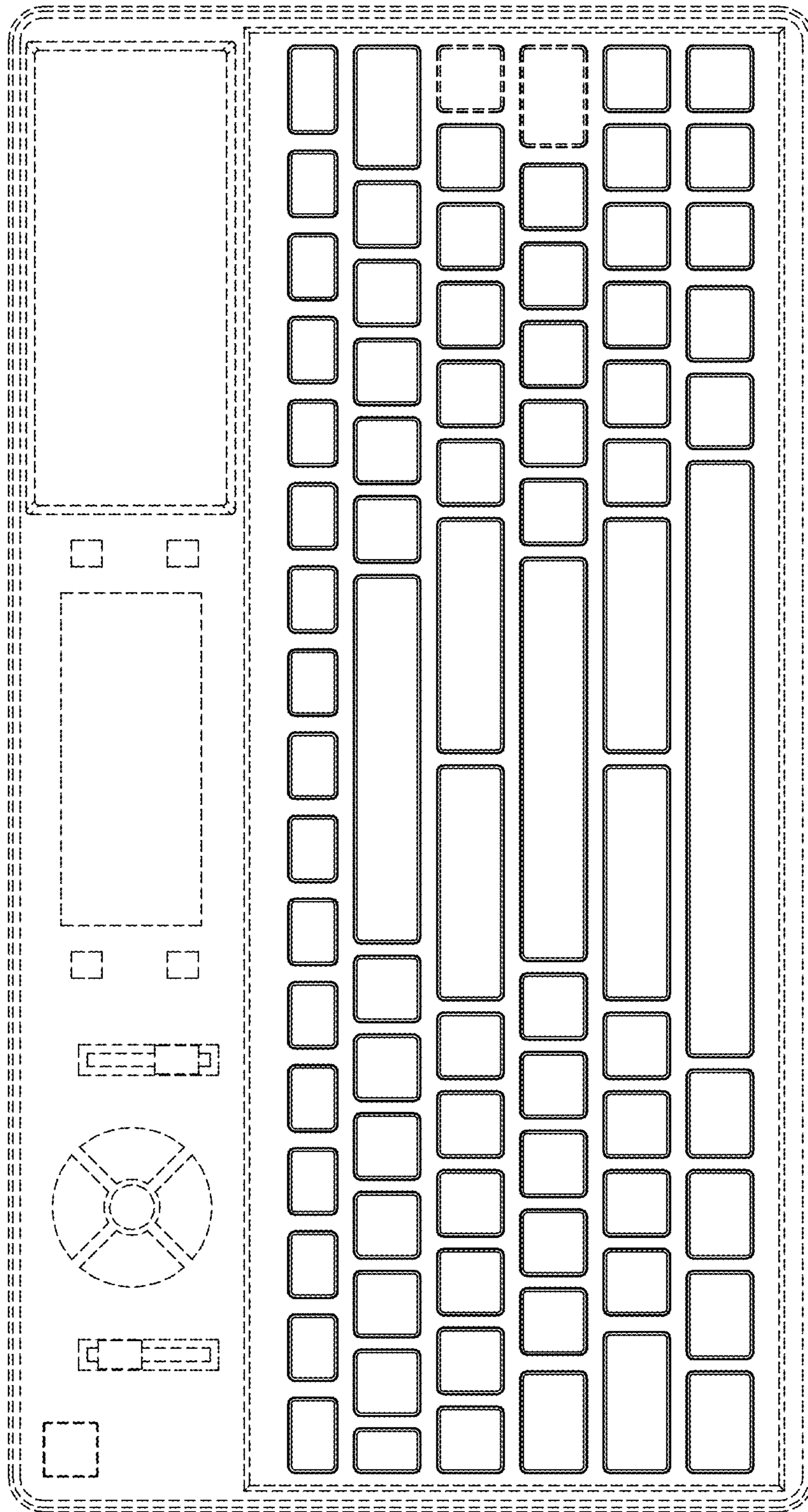


FIG. 6

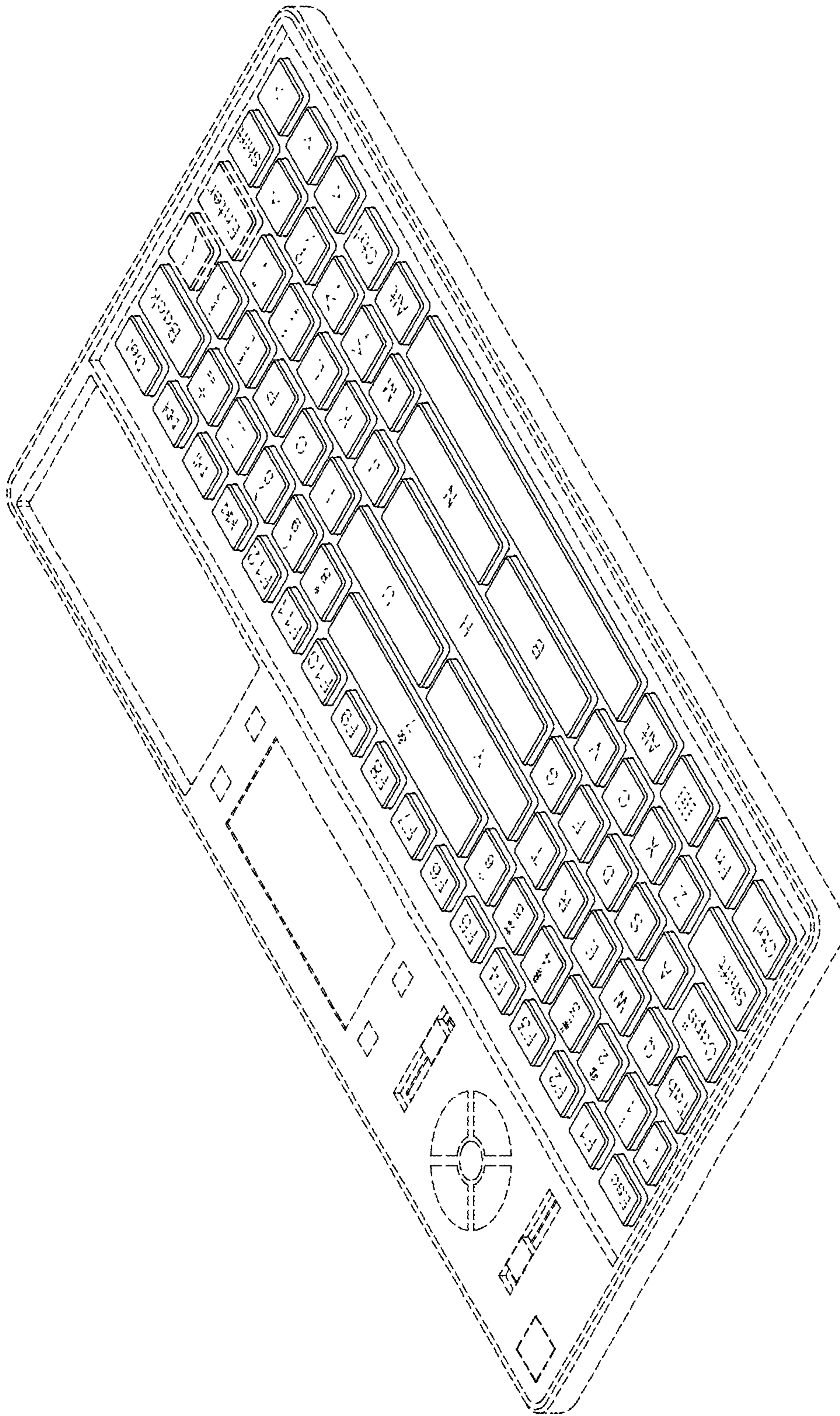


FIG. 7

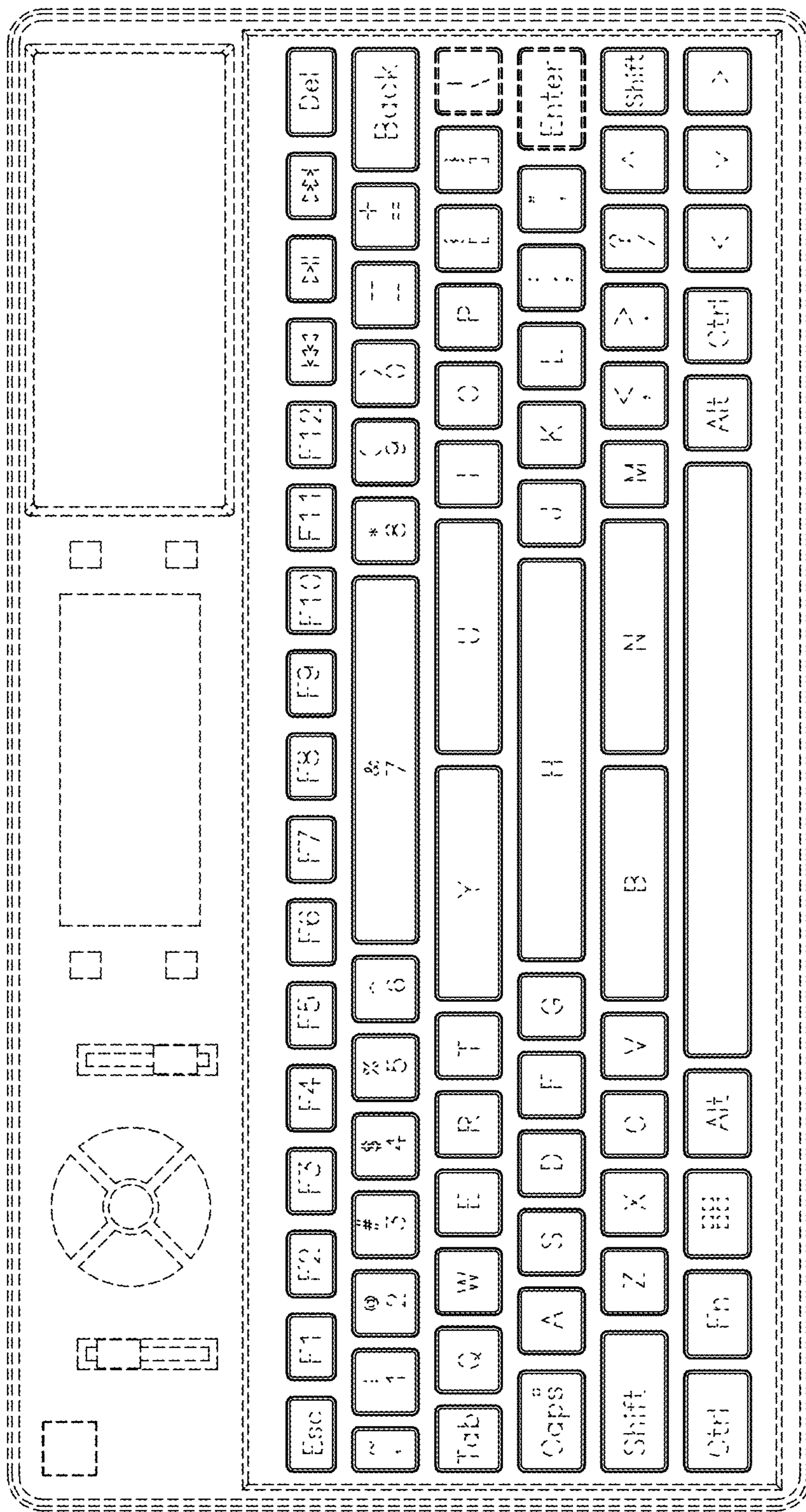


FIG. 8

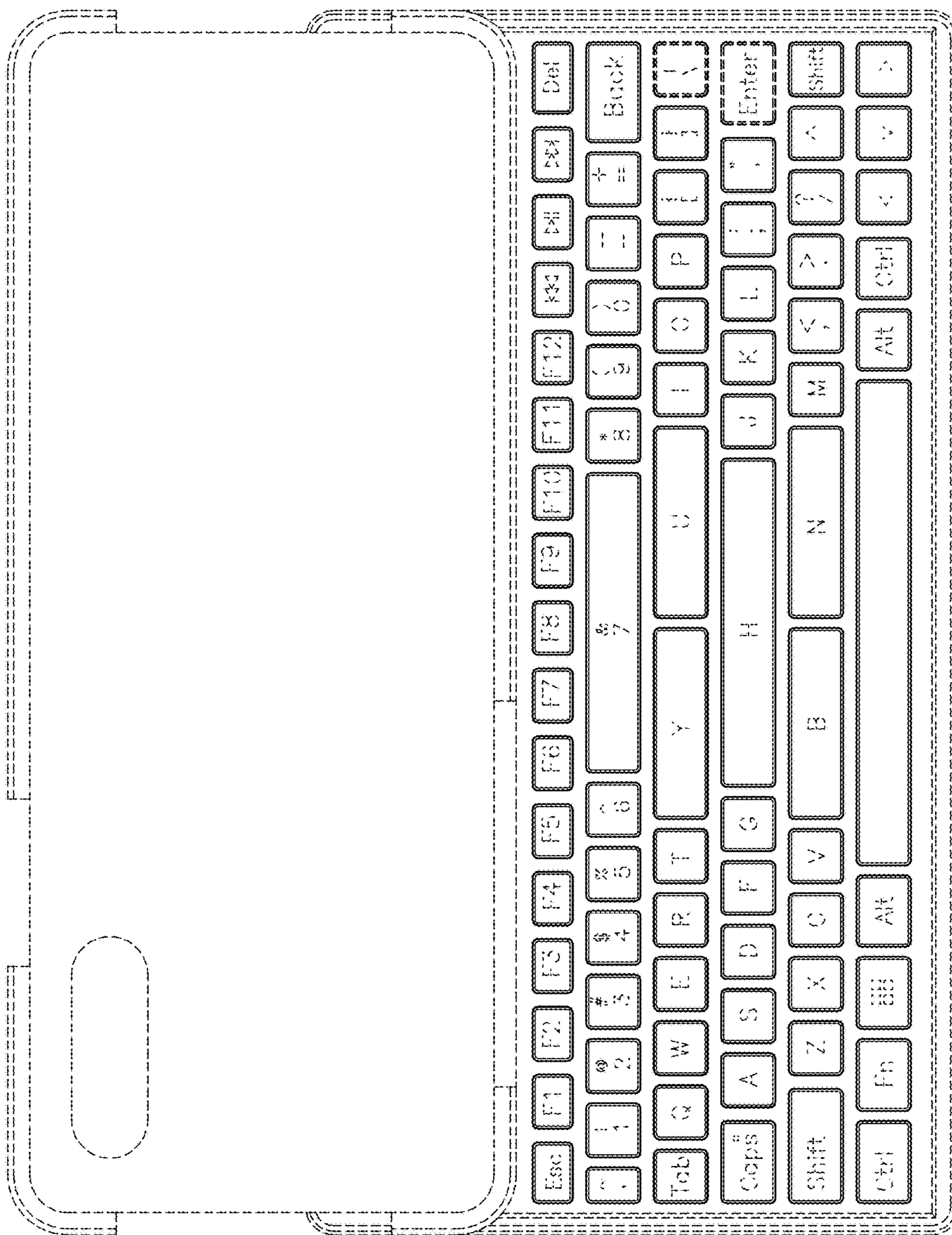


FIG. 9

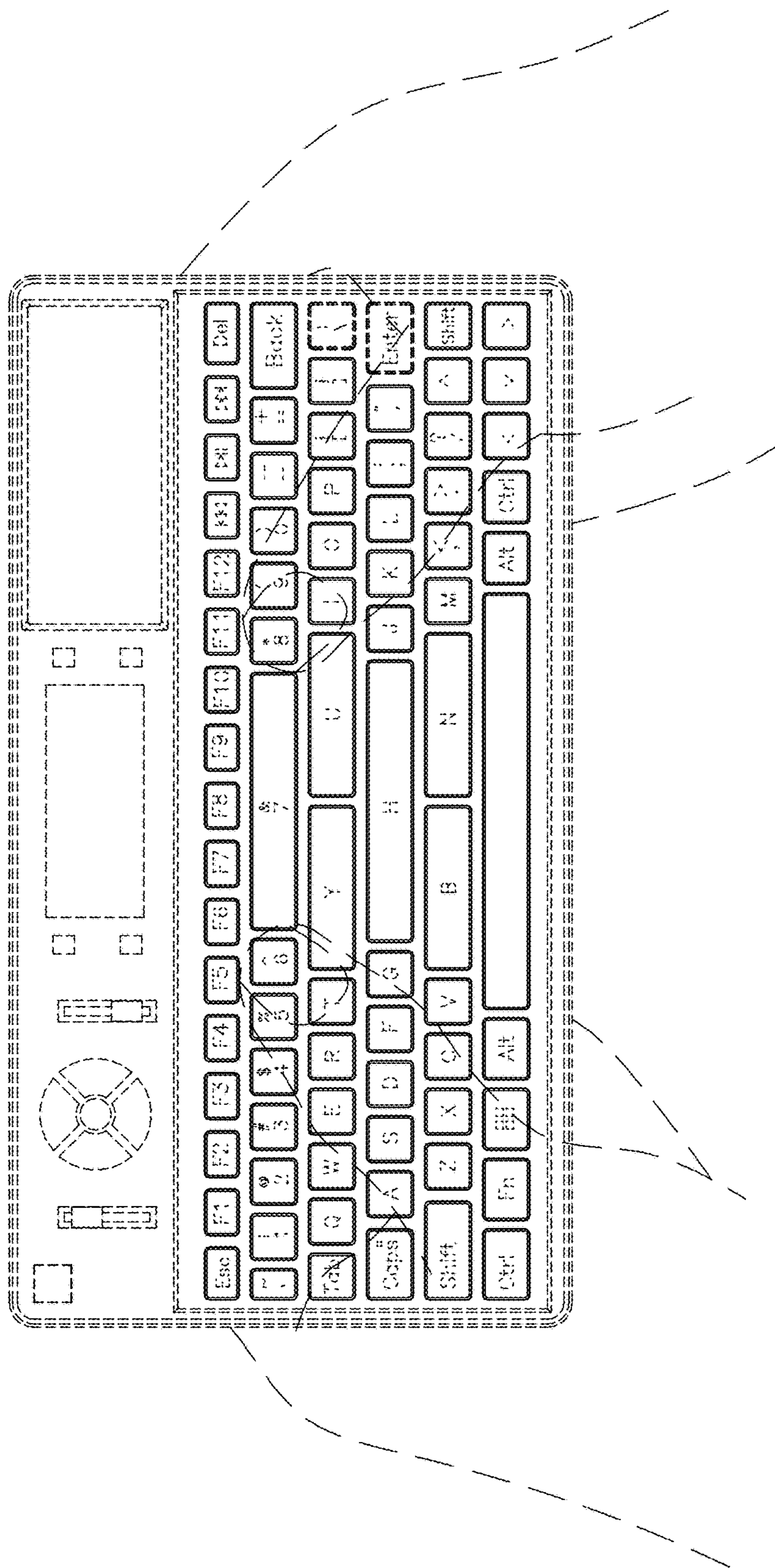


FIG. 10

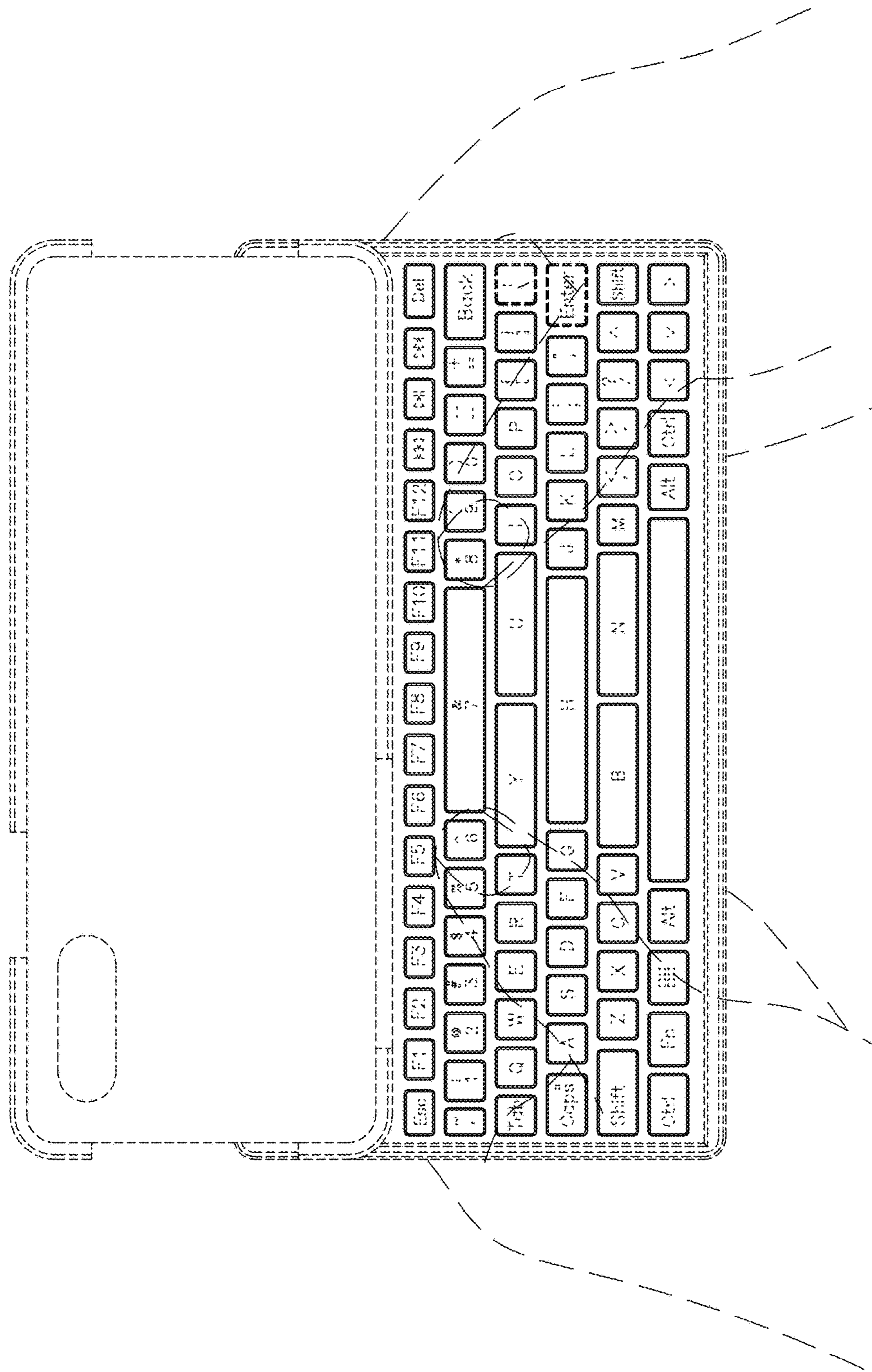


FIG. 11