



US00D834031S

(12) **United States Design Patent** (10) **Patent No.:** **US D834,031 S**  
**Lindo et al.** (45) **Date of Patent:** **\*\* Nov. 20, 2018**

(54) **REAR KNUCKLE OF ARTICULATING ARM**

2200/08; F16M 11/2021; A47B 21/0314;  
A47B 88/044; A47B 2021/0335; H02G  
3/126;

(71) Applicant: **Southco, Inc.**, Concordville, PA (US)

(Continued)

(72) Inventors: **Benjamin Gerald Lindo**, Philadelphia,  
PA (US); **Glenn Eric Anderson**,  
Malvern, PA (US)

(56) **References Cited**

(73) Assignee: **SOUTHCO, INC.**, Concordville, PA  
(US)

U.S. PATENT DOCUMENTS

(\*\*) Term: **15 Years**

D232,372 S 8/1974 Grant  
D269,253 S 6/1983 Gagnon  
D275,431 S 9/1984 Usab

(Continued)

(21) Appl. No.: **29/643,832**

FOREIGN PATENT DOCUMENTS

(22) Filed: **Apr. 12, 2018**

JP 2016019043 A 2/2016

**Related U.S. Application Data**

OTHER PUBLICATIONS

(62) Division of application No. 29/557,005, filed on Mar.  
4, 2016, now Pat. No. Des. 822,672.

Notification of Reasons for Rejection for Japanese Application No.  
2017-010325, dated Aug. 29, 2017, including English translation, 3  
pages.

(51) **LOC (11) Cl.** ..... **14-02**

*Primary Examiner* — Katie Jane Stofko

(52) **U.S. Cl.**

(74) *Attorney, Agent, or Firm* — RatnerPrestia

USPC ..... **D14/452**

(58) **Field of Classification Search**

USPC ..... D14/371–382, 125–129, 335–337,  
D14/447–452, 492, 239, 457, 439–441,  
D14/432, 251–253, 434; D8/349, 354,  
D8/363, 373, 376, 380; 348/180, 184,  
348/325, 739, 825; D12/407, 415;  
D3/218; 341/12; 248/323, 278.1, 286.1

(57) **CLAIM**

The ornamental design for a rear knuckle of articulating arm,  
as shown and described.

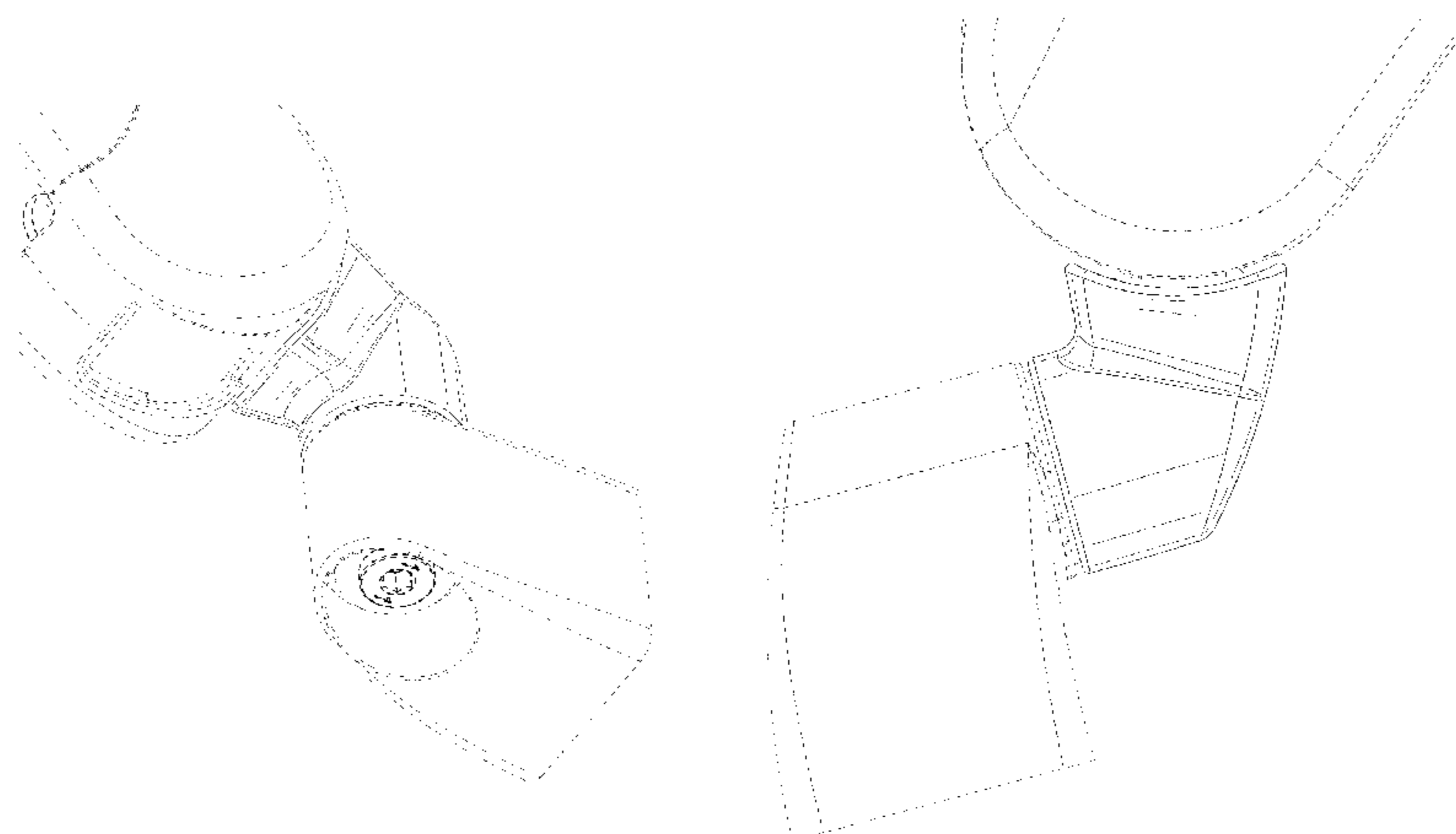
CPC ..... G06F 3/0412; G06F 3/016; G06F 3/0488;  
G06F 3/011; G06F 3/038; G06F 3/03543;  
G06F 3/0338; G06F 3/0202; G06F  
3/0219; G06F 3/0213; G06F 1/1616;  
G06F 3/023; G06F 3/04883; G02F  
1/13338; G02F 1/1313; G02F 1/1333;  
G02F 1/135; G02F 1/132; G02F  
1/133308; G02F 1/134309; G02F  
1/13718; G09G 3/3648; G06K 15/1252;  
B41J 2/465; G03F 7/70291; G02B  
27/0172; G02B 5/30; G02B 2027/0118;  
G02B 27/0101; F16M 13/02; F16M  
13/00; F16M 11/10; F16M 11/04; F16M

**DESCRIPTION**

FIG. 1 is a bottom, right perspective view of a rear knuckle  
of articulating arm;  
FIG. 2 is a bottom plan view thereof;  
FIG. 3 is a right side elevation view thereof;  
FIG. 4 is a rear perspective view thereof; and,  
FIG. 5 is a bottom, right perspective view thereof shown in  
an environment of use.

The broken lines illustrating the articulating arm in FIGS.  
**1-5** are environment that form no part of the claimed design,

(Continued)



while the remaining broken lines in FIGS. 1-5 illustrate portions of the rear knuckle of articulating arm that form no part of the claimed design.

**1 Claim, 5 Drawing Sheets**

(58) **Field of Classification Search**

CPC ..... F16B 47/00; F16B 47/006; A47G 1/17; A47K 2201/00

See application file for complete search history.

(56) **References Cited**

U.S. PATENT DOCUMENTS

5,195,891 A \* 3/1993 Sulc ..... A61C 8/005  
433/173

D391,444 S 3/1998 Munari

5,743,503 A 4/1998 Voeller et al.

D451,317 S 12/2001 Hsieh

D462,969 S 9/2002 Scharer et al.

D470,011 S 2/2003 Munari

D480,376 S 10/2003 Ma

D488,708 S 4/2004 Lam et al.

D494,183 S 8/2004 Wills et al.

D506,257 S 6/2005 Smith

D510,571 S 10/2005 Cutler et al.

6,994,547 B1 \* 2/2006 Sethi ..... A61C 8/005  
433/172

D534,789 S 1/2007 Worrall et al.

D537,323 S 2/2007 Saez

D541,807 S 5/2007 Oddsen et al.

D541,808 S 5/2007 Oddsen et al.

D544,489 S 6/2007 Oddsen et al.

D553,123 S 10/2007 Solland

D558,207 S 12/2007 Ikeda et al.

D558,208 S 12/2007 Ikeda et al.

D562,114 S 2/2008 Chiu et al.

D570,853 S 6/2008 Derry et al.

7,389,965 B2 6/2008 Oddsen, Jr. et al.

D577,731 S 9/2008 Altonji et al.

D598,240 S 8/2009 Josancy

D602,287 S 10/2009 Grove

7,694,927 B2 4/2010 Chuang

D618,960 S 7/2010 Chafai et al.

D631,052 S 1/2011 Hung

D645,868 S 9/2011 Lau et al.

D651,199 S 12/2011 Huang

D654,503 S 2/2012 Sapper

D659,341 S 5/2012 Gillis et al.

D660,845 S 5/2012 Schmauch et al.

D662,103 S 6/2012 Brandt

D662,104 S 6/2012 Brandt

D663,576 S 7/2012 McEldowney

D666,207 S 8/2012 Brandt

D670,554 S 11/2012 Bowman et al.

D670,786 S \* 11/2012 Mauchle ..... D23/213

D679,282 S 4/2013 Liu et al.

D682,258 S 5/2013 Anderson

D686,495 S 7/2013 Murray

D688,674 S 8/2013 Lau et al.

D696,325 S 12/2013 Dekar

D711,307 S 8/2014 Fair

D712,015 S \* 8/2014 Yu ..... D23/263

D717,298 S 11/2014 Sale et al.

D729,814 S \* 5/2015 Anderson ..... D14/452

D729,815 S 5/2015 Anderson

D733,105 S 6/2015 Wengreen

9,074,721 B2 7/2015 Lau et al.

D740,830 S 10/2015 Chu

D743,537 S \* 11/2015 Answine ..... D24/110.5

D745,873 S 12/2015 Xiang et al.

D747,179 S 1/2016 Xiang et al.

D751,566 S 3/2016 Anderson

D752,305 S \* 3/2016 DePietro ..... D32/50

9,316,346 B2 4/2016 Lau et al.

D757,014 S 5/2016 Hahn et al.

D758,375 S 6/2016 Won et al.

9,405,498 B2 8/2016 Nishi

D772,236 S \* 11/2016 Anderson ..... D14/452

D779,662 S \* 2/2017 Smith ..... D24/129

D786,884 S 5/2017 Borloz et al.

D789,373 S 6/2017 King

D794,572 S \* 8/2017 Corona ..... D13/146

9,746,125 B2 8/2017 Bowman et al.

D796,519 S 9/2017 Hung

D797,928 S 9/2017 Davis et al.

9,759,371 B2 9/2017 Borloz et al.

D799,000 S \* 10/2017 Chen ..... D23/213

D801,791 S \* 11/2017 DePietro ..... D8/376

D805,085 S 12/2017 Xiang et al.

D808,099 S 1/2018 Yoo et al.

D808,801 S 1/2018 Cooper et al.

D809,519 S 2/2018 Jung et al.

D811,849 S 3/2018 Chou

D813,009 S \* 3/2018 Lindo ..... D8/323

D815,105 S 4/2018 Jung et al.

D815,643 S 4/2018 Bowman et al.

D818,309 S 5/2018 Jasso Gomez

D819,015 S 5/2018 Lee

2003/0146359 A1 8/2003 Oddsen, Jr.

2012/0267497 A1 10/2012 Bowman et al.

2016/0305600 A1 10/2016 Bowman et al.

\* cited by examiner

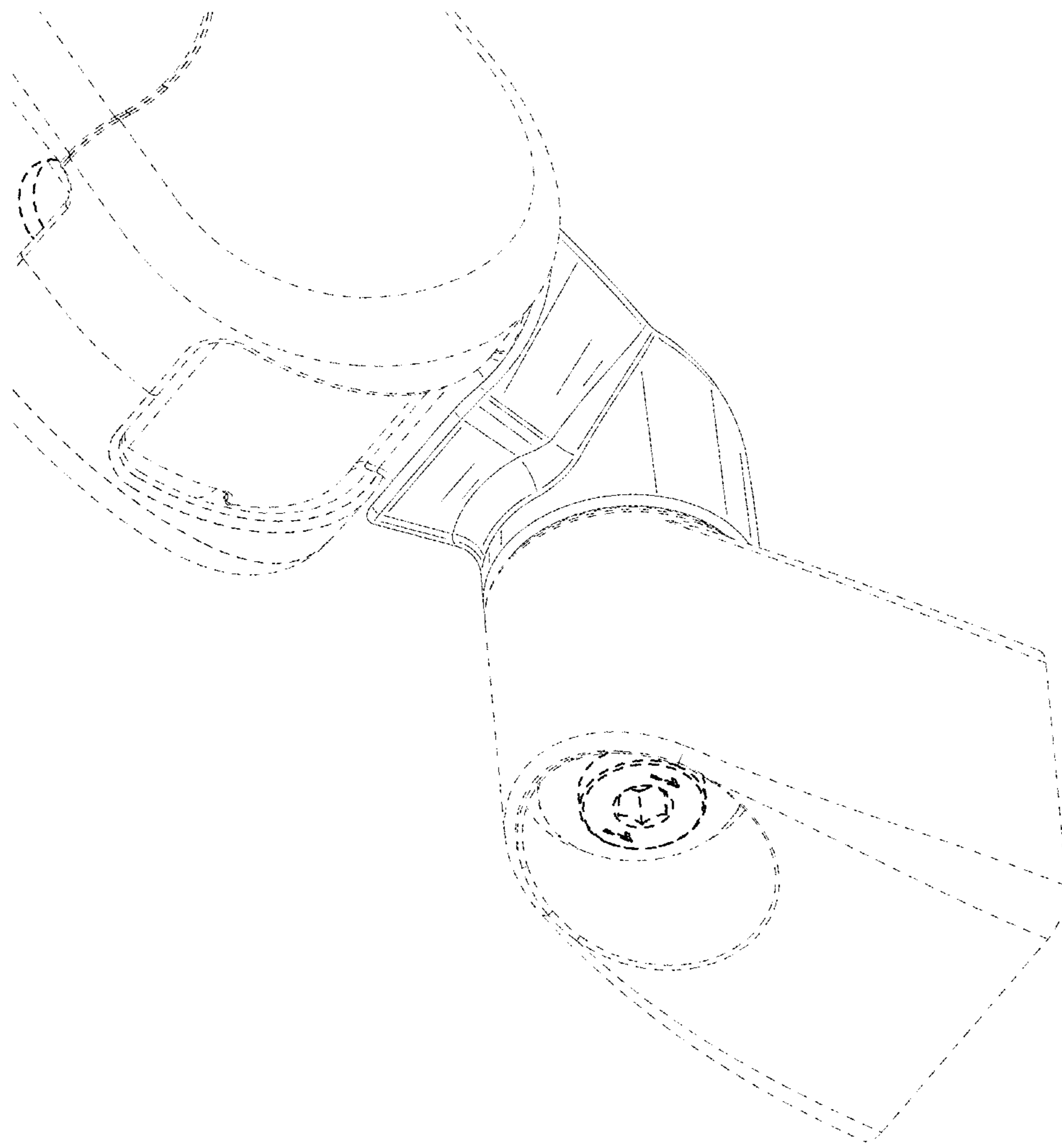


FIG. 1

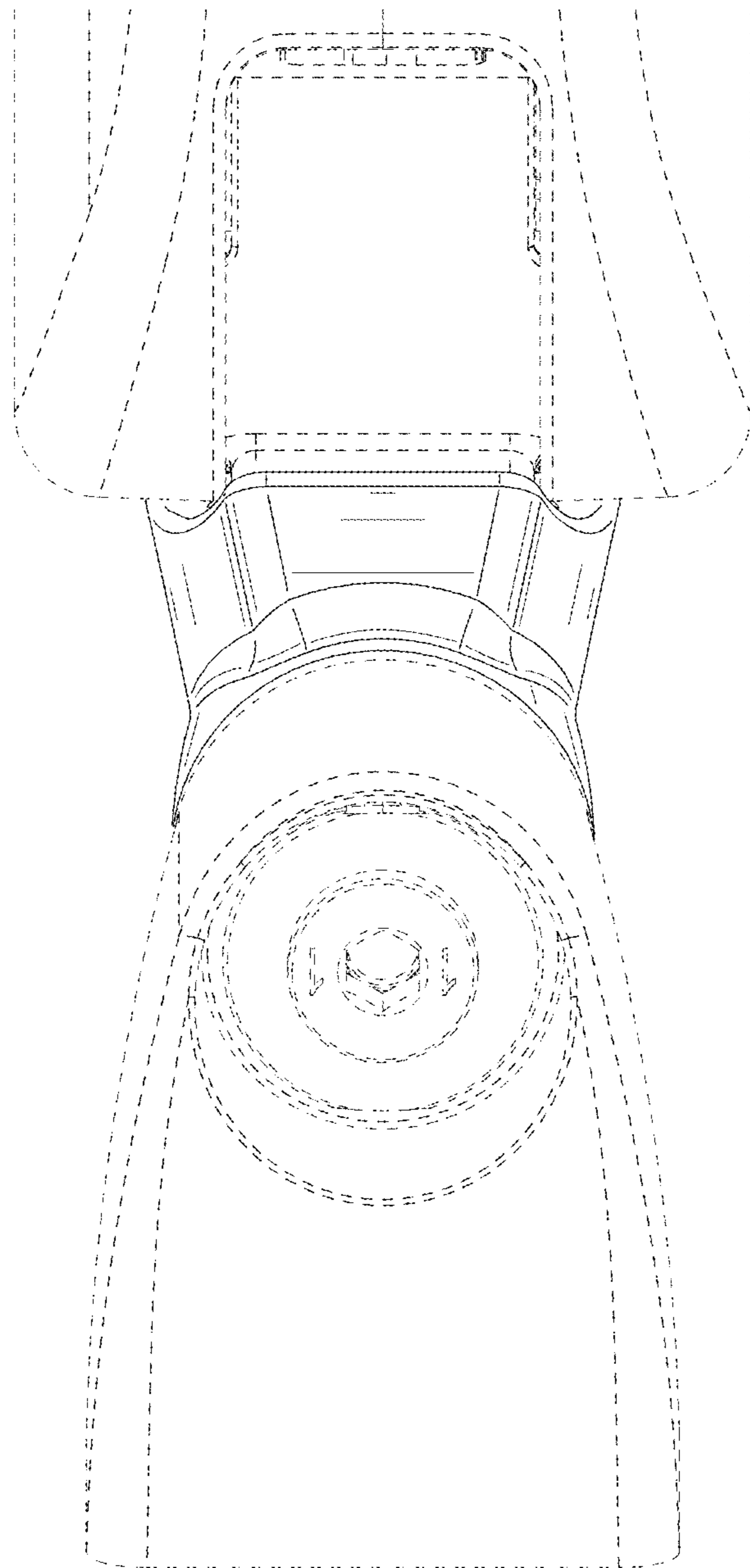


FIG. 2

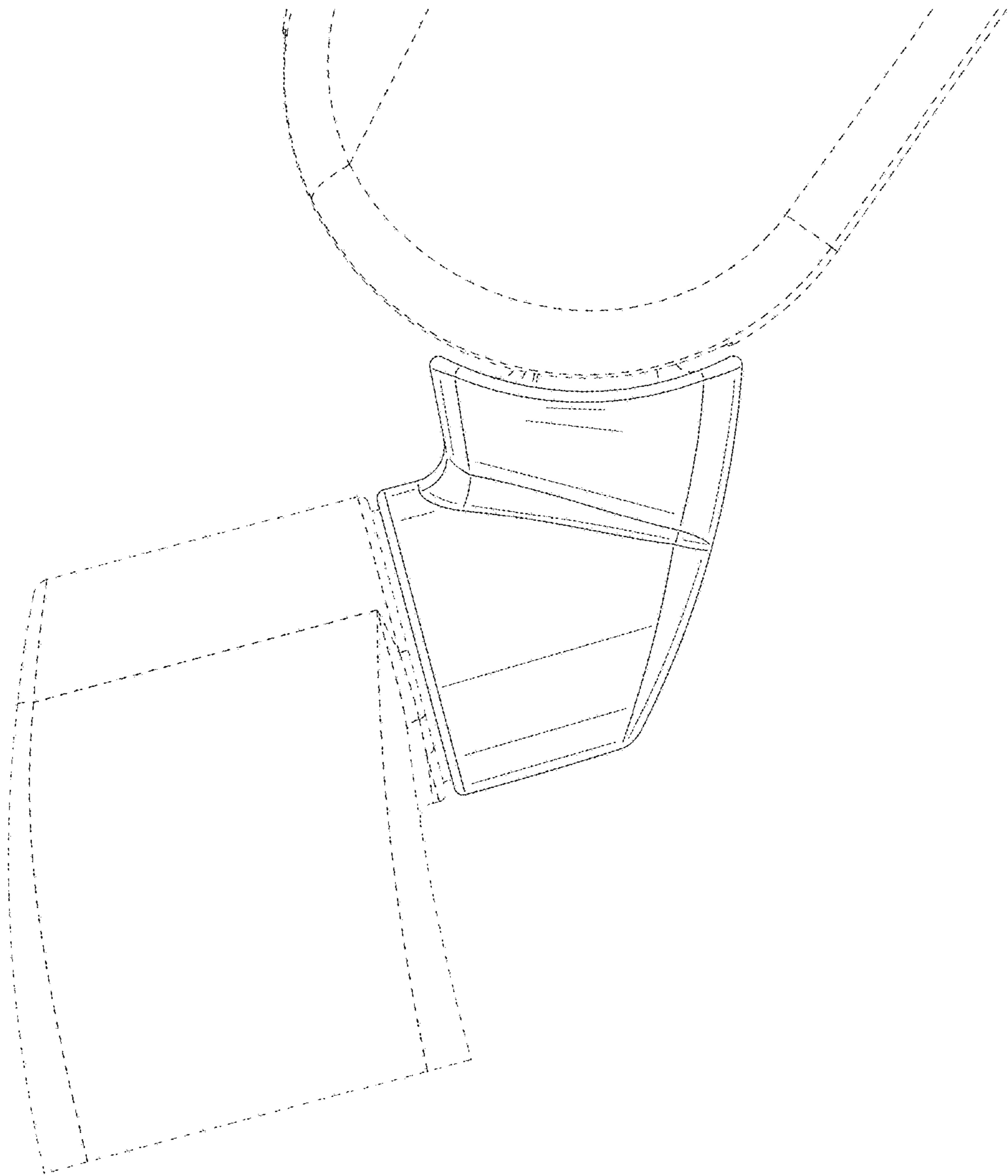


FIG. 3

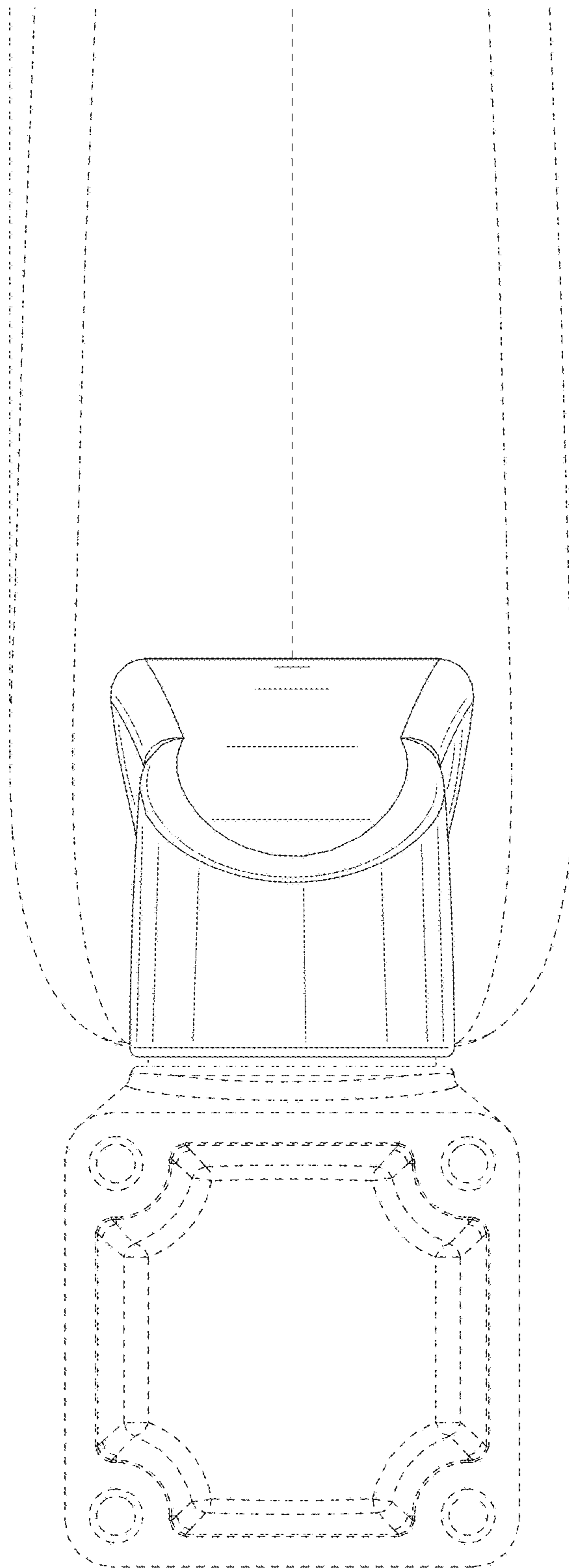


FIG. 4

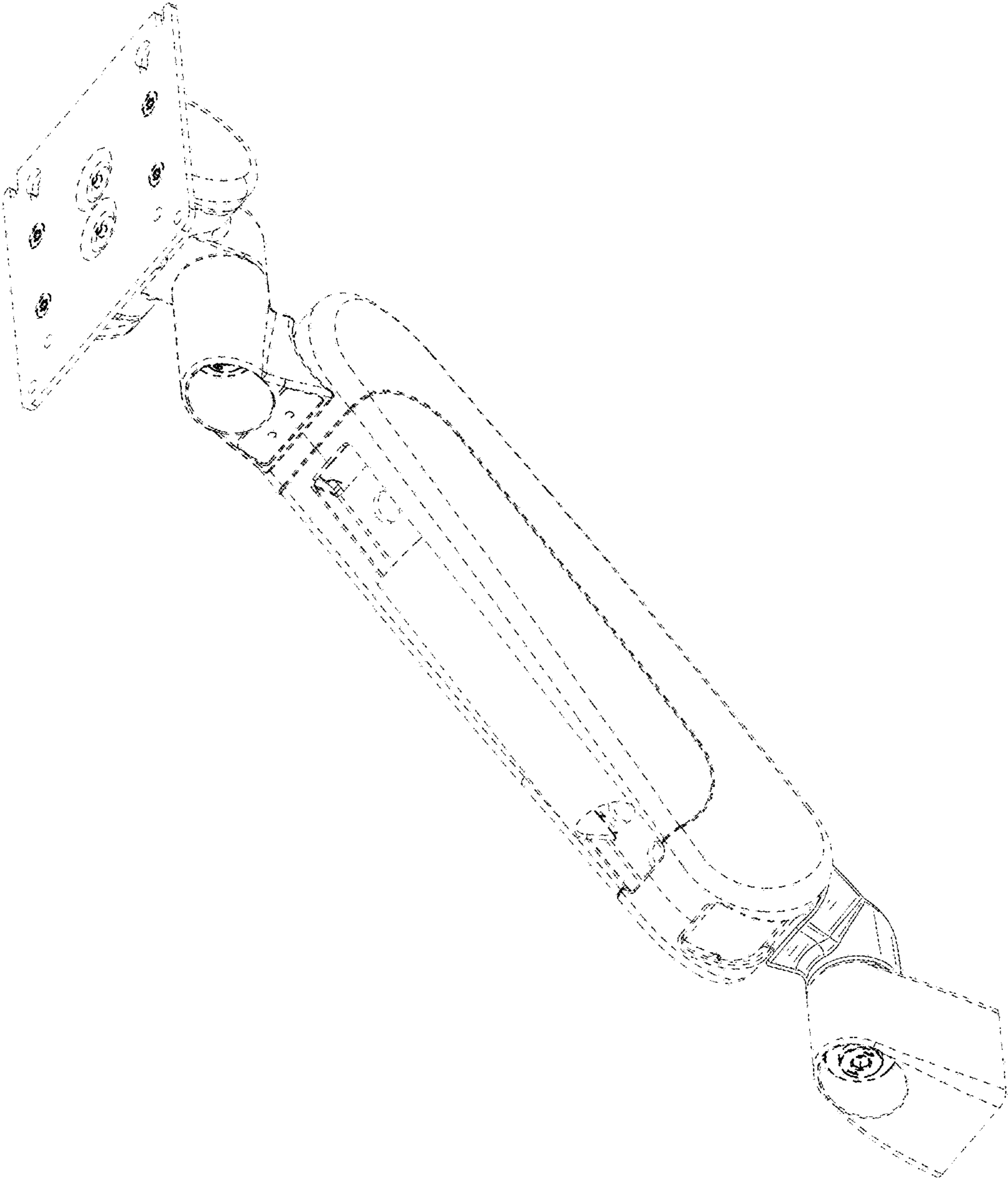


FIG. 5