



US00D834030S

(12) **United States Design Patent** (10) **Patent No.:** **US D834,030 S**
Lindo et al. (45) **Date of Patent:** **** Nov. 20, 2018**

(54) **ARTICULATING ARM**

2200/08; F16M 11/2021; A47B 21/0314;
A47B 88/044; A47B 2021/0335; H02G
3/126;

(71) Applicant: **Southco, Inc.**, Concordville, PA (US)

(Continued)

(72) Inventors: **Benjamin Gerald Lindo**, Philadelphia,
PA (US); **Glenn Eric Anderson**,
Malvern, PA (US)

(56) **References Cited**

(73) Assignee: **SOUTHCO, INC.**, Concordville, PA
(US)

U.S. PATENT DOCUMENTS

(**) Term: **15 Years**

D232,372 S 8/1974 Grant
D269,253 S 6/1983 Gagnon
(Continued)

(21) Appl. No.: **29/643,831**

FOREIGN PATENT DOCUMENTS

(22) Filed: **Apr. 12, 2018**

JP 2016019043 A 2/2016

OTHER PUBLICATIONS

Related U.S. Application Data

Notification of Reasons for Rejection for Japanese Application No.
2017-010325, dated Aug. 29, 2017, including English translation, 3
pages.

(62) Division of application No. 29/557,005, filed on Mar.
4, 2016, now Pat. No. Des. 822,672.

(51) **LOC (11) Cl.** **14-02**

(52) **U.S. Cl.**

USPC **D14/452**

(58) **Field of Classification Search**

USPC D14/371-382, 125-129, 335-337,
D14/447-452, 492, 239, 457, 439-441,
D14/432, 251-253, 434; D8/349, 354,
D8/363, 373, 376, 380; 348/180, 184,
348/325, 739, 825; D12/407, 415;
D3/218; 341/12; 248/323, 278.1, 286.1

CPC G06F 3/0412; G06F 3/016; G06F 3/0488;
G06F 3/011; G06F 3/038; G06F 3/03543;
G06F 3/0338; G06F 3/0202; G06F
3/0219; G06F 3/0213; G06F 1/1616;
G06F 3/023; G06F 3/04883; G02F
1/13338; G02F 1/1313; G02F 1/1333;
G02F 1/135; G02F 1/132; G02F
1/133308; G02F 1/134309; G02F
1/13718; G09G 3/3648; G06K 15/1252;
B41J 2/465; G03F 7/70291; G02B
27/0172; G02B 5/30; G02B 2027/0118;
G02B 27/0101; F16M 13/02; F16M
13/00; F16M 11/10; F16M 11/04; F16M

Primary Examiner — Katie Jane Stofko

(74) *Attorney, Agent, or Firm* — RatnerPrestia

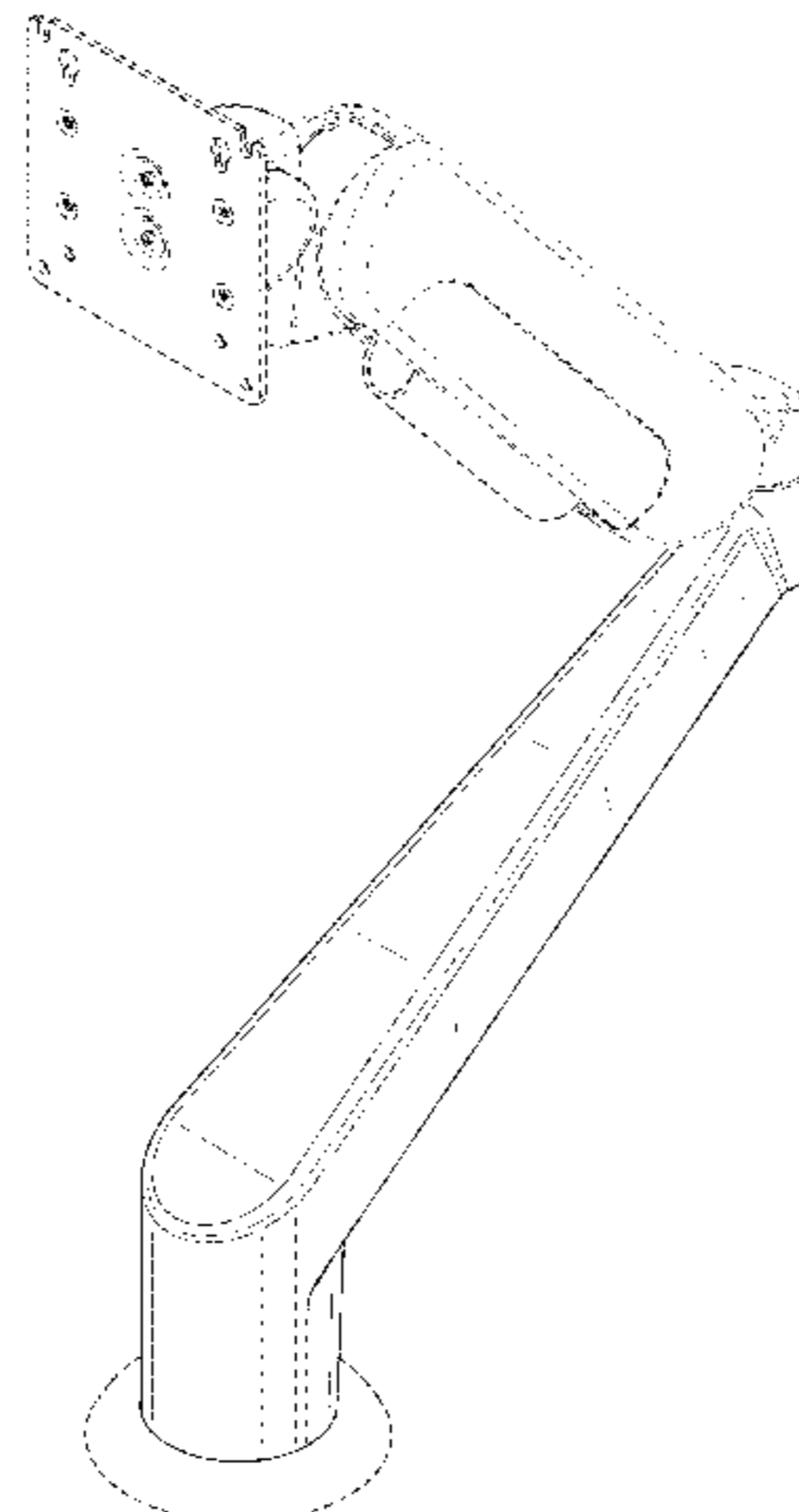
(57) **CLAIM**

The ornamental design for an articulating arm, as shown and
described.

DESCRIPTION

FIG. 1 is a front, right side perspective view of an articu-
lating arm;
FIG. 2 is a front elevation view thereof;
FIG. 3 is a rear elevation view thereof;
FIG. 4 is a left side elevation view thereof;
FIG. 5 is a right side elevation view thereof;
FIG. 6 is a top plan view thereof;
FIG. 7 is a bottom plan view thereof; and,
FIG. 8 is a front, right side perspective view thereof shown
in a lowered position.

(Continued)



The broken lines shown in FIG. 1-8 illustrate portions of the articulating arm that form no part of the claimed design.

1 Claim, 8 Drawing Sheets

(58) Field of Classification Search

CPC F16B 47/00; F16B 47/006; A47G 1/17; A47K 2201/00

See application file for complete search history.

(56) References Cited

U.S. PATENT DOCUMENTS

D275,431 S	9/1984	Usab	
5,195,891 A	3/1993	Sulc	
D391,444 S	3/1998	Munari	
5,743,503 A	4/1998	Voeller et al.	
D451,317 S	12/2001	Hsieh	
D462,969 S	9/2002	Scharer et al.	
D470,011 S	2/2003	Munari	
D480,376 S	10/2003	Ma	
D488,708 S	4/2004	Lam et al.	
D494,183 S	8/2004	Wills et al.	
D506,257 S	6/2005	Smith	
D510,571 S	10/2005	Cutler et al.	
6,994,547 B1	2/2006	Sethi et al.	
D534,789 S *	1/2007	Worrall	D8/363
D537,323 S	2/2007	Saez	
D541,807 S	5/2007	Oddsens et al.	
D541,808 S	5/2007	Oddsens et al.	
D544,489 S	6/2007	Oddsens et al.	
D553,123 S	10/2007	Solland	
D558,207 S	12/2007	Ikeda et al.	
D558,208 S	12/2007	Ikeda et al.	
D562,114 S	2/2008	Chiu et al.	
D570,853 S	6/2008	Derry et al.	
7,389,965 B2 *	6/2008	Oddsens, Jr.	F16M 11/10 248/274.1
D577,731 S	9/2008	Altonji et al.	
D598,240 S	8/2009	Josancy	
D602,287 S	10/2009	Grove	
7,694,927 B2	4/2010	Chuang	
D618,960 S	7/2010	Chafai et al.	
D631,052 S	1/2011	Hung	
D645,868 S	9/2011	Lau et al.	
D651,199 S	12/2011	Huang	
D654,503 S	2/2012	Sapper	
D659,341 S	5/2012	Gillis et al.	
D660,845 S	5/2012	Schmauch et al.	
D661,572 S *	6/2012	Bowman	D8/363
D662,103 S	6/2012	Brandt	

D662,104 S	6/2012	Brandt	
D663,576 S	7/2012	McEldowney	
D666,207 S	8/2012	Brandt	
D670,554 S *	11/2012	Bowman	D8/363
D670,786 S	11/2012	Mauchle et al.	
D679,282 S	4/2013	Liu et al.	
D682,258 S	5/2013	Anderson	
D686,495 S	7/2013	Murray	
D688,674 S *	8/2013	Lau	D14/452
D696,325 S	12/2013	Dekar	
D711,307 S	8/2014	Fair	
D712,015 S	8/2014	Yu	
D717,298 S	11/2014	Sale et al.	
D729,814 S	5/2015	Anderson	
D729,815 S *	5/2015	Anderson	D14/452
D733,105 S	6/2015	Wengreen	
9,074,721 B2 *	7/2015	Lau	F16M 13/02
D740,830 S	10/2015	Chu	
D743,537 S	11/2015	Answine et al.	
D745,873 S	12/2015	Xiang et al.	
D747,179 S	1/2016	Xiang et al.	
D751,566 S	3/2016	Anderson	
D752,305 S	3/2016	DePietro	
9,316,346 B2 *	4/2016	Lau	F16M 11/126
D757,014 S	5/2016	Hahn et al.	
D758,375 S	6/2016	Won et al.	
9,405,498 B2	8/2016	Nishi	
D772,236 S	11/2016	Anderson	
D779,662 S	2/2017	Smith	
D786,884 S	5/2017	Borloz et al.	
D789,373 S	6/2017	King	
D794,572 S	8/2017	Corona	
9,746,125 B2 *	8/2017	Bowman	F16M 11/10
D796,519 S	9/2017	Hung	
D797,928 S	9/2017	Davis et al.	
9,759,371 B2	9/2017	Borloz et al.	
D799,000 S	10/2017	Chen	
D801,791 S	11/2017	DePietro	
D805,085 S	12/2017	Xiang et al.	
D808,099 S	1/2018	Yoo et al.	
D808,801 S	1/2018	Cooper et al.	
D809,519 S	2/2018	Jung et al.	
D811,849 S	3/2018	Chou	
D813,009 S	3/2018	Lindo et al.	
D815,105 S	4/2018	Jung et al.	
D815,643 S *	4/2018	Bowman	D14/452
D818,309 S	5/2018	Jasso Gomez	
D819,015 S *	5/2018	Lee	D14/253
2003/0146359 A1 *	8/2003	Oddsens, Jr.	F16M 11/2014 248/278.1
2012/0267497 A1 *	10/2012	Bowman	F16M 11/10 248/280.11
2016/0305600 A1 *	10/2016	Bowman	F16M 11/10

* cited by examiner

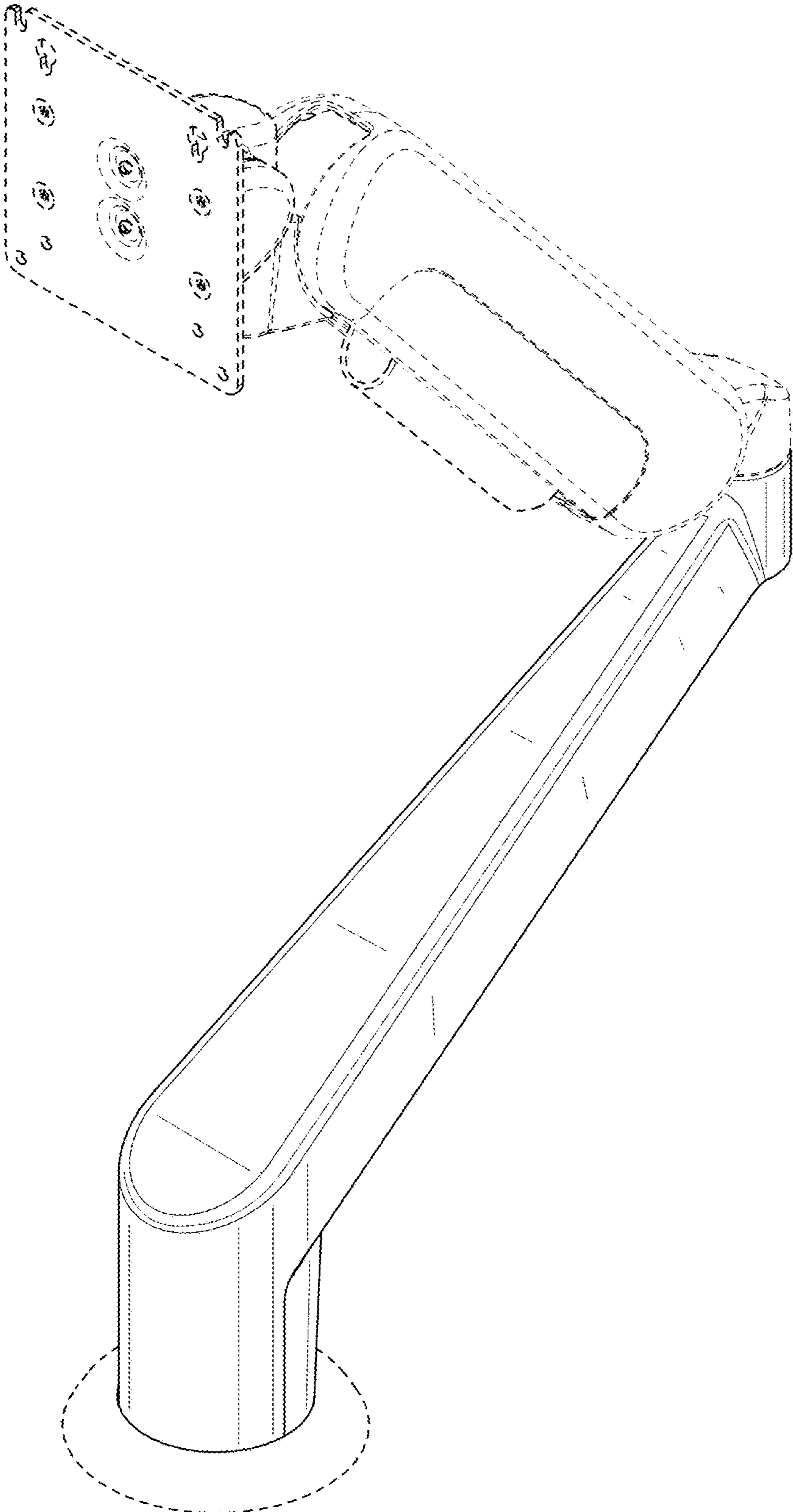


FIG. 1

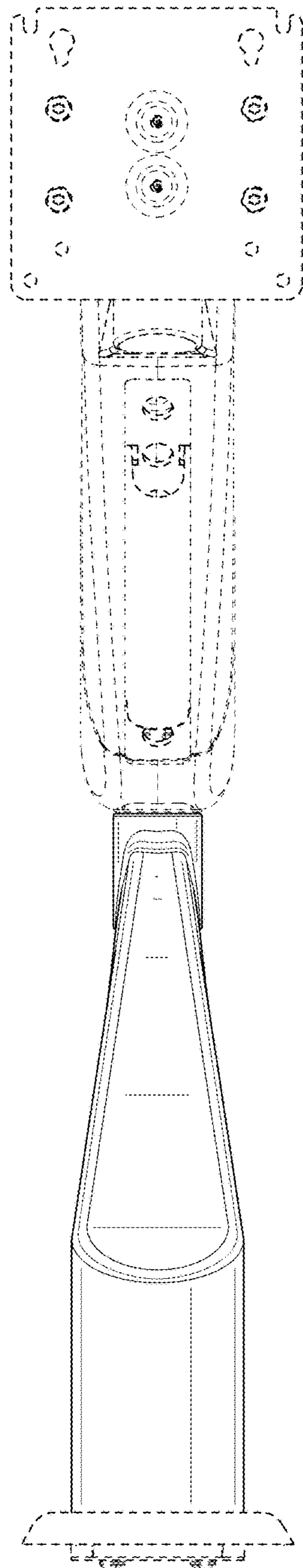


FIG. 2

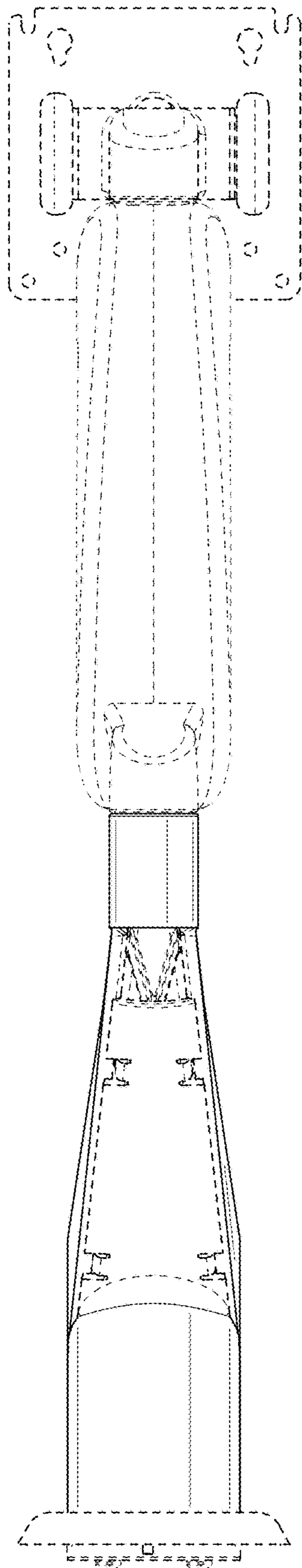


FIG. 3

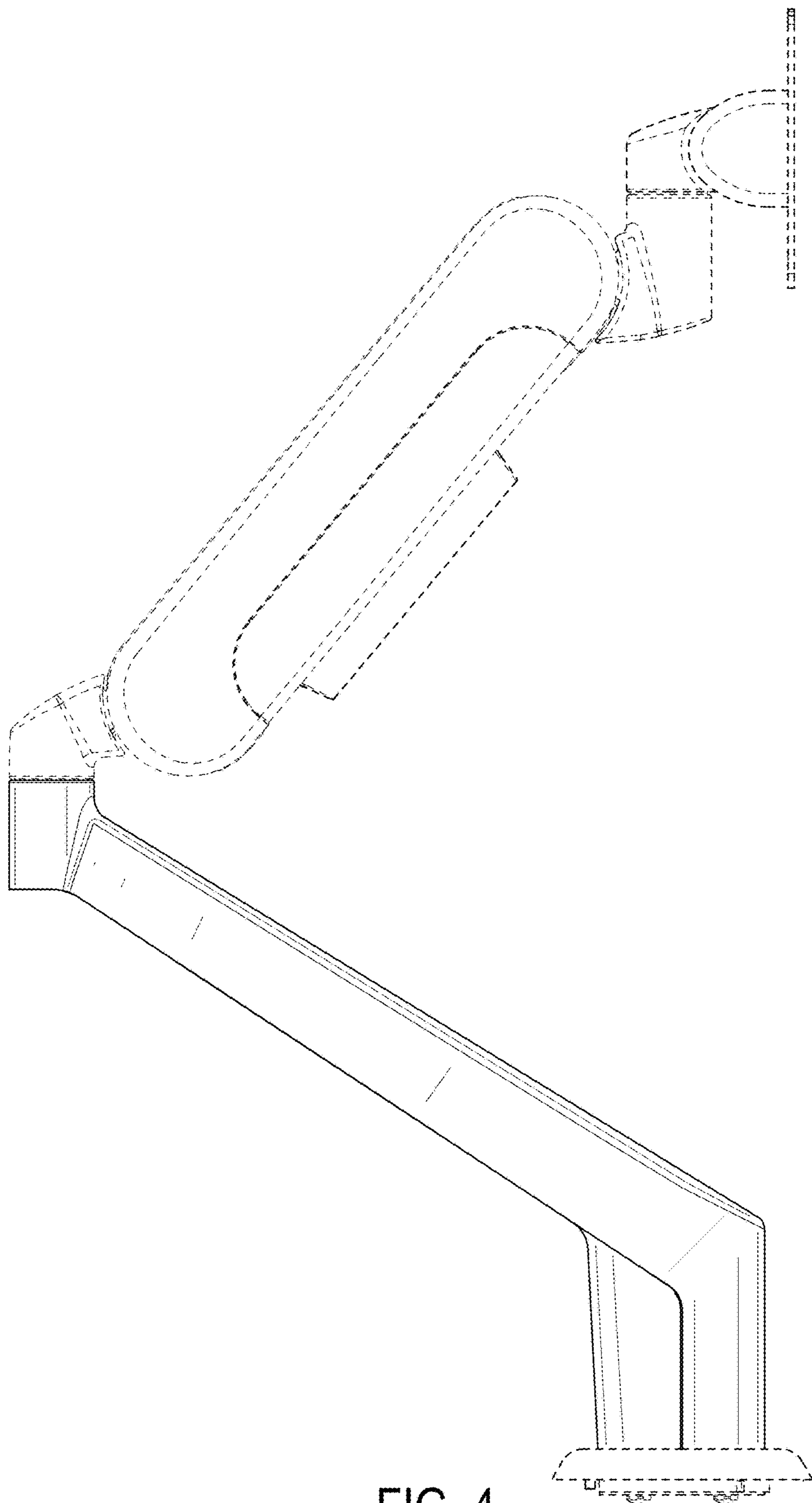


FIG. 4

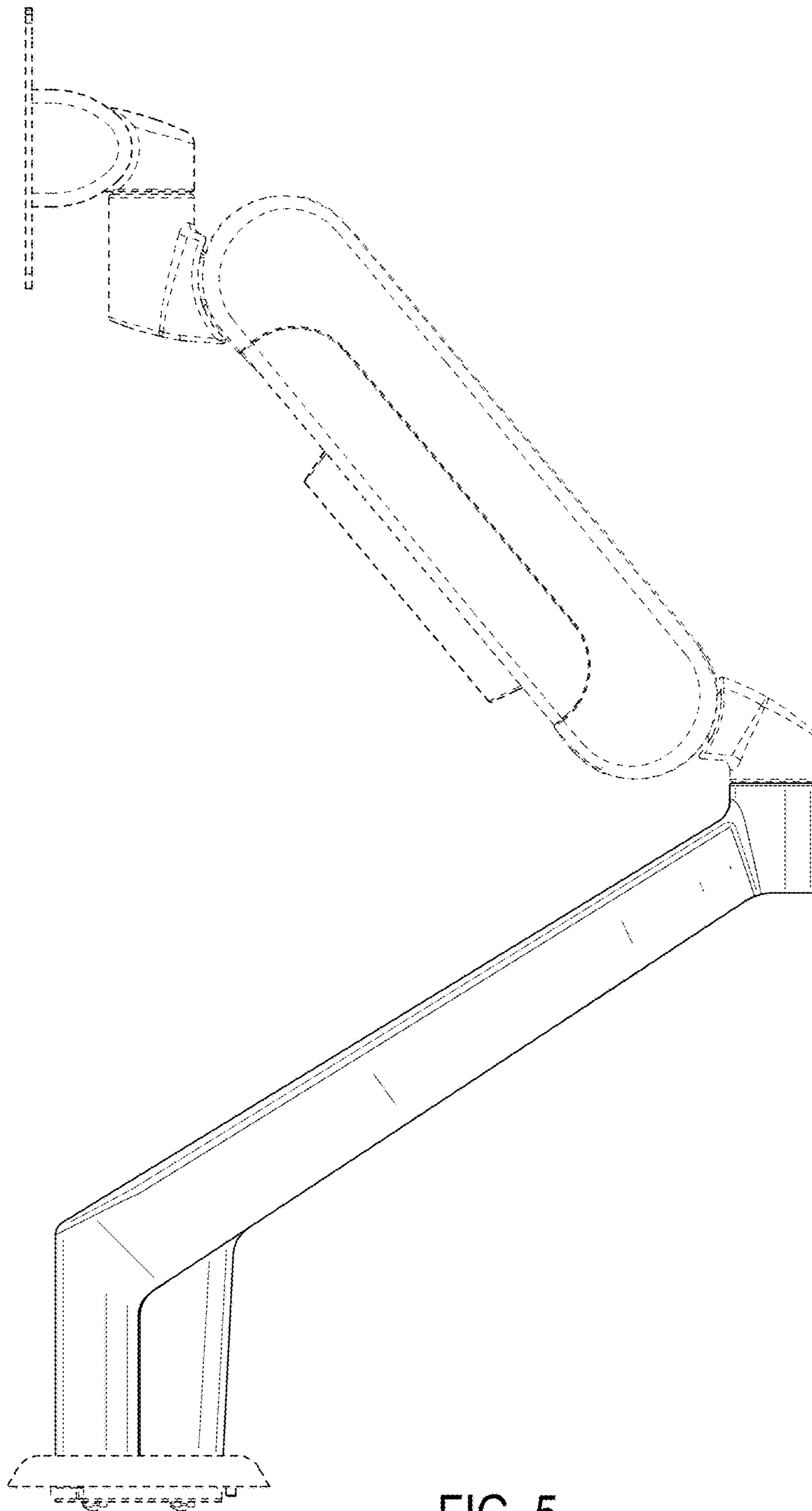


FIG. 5

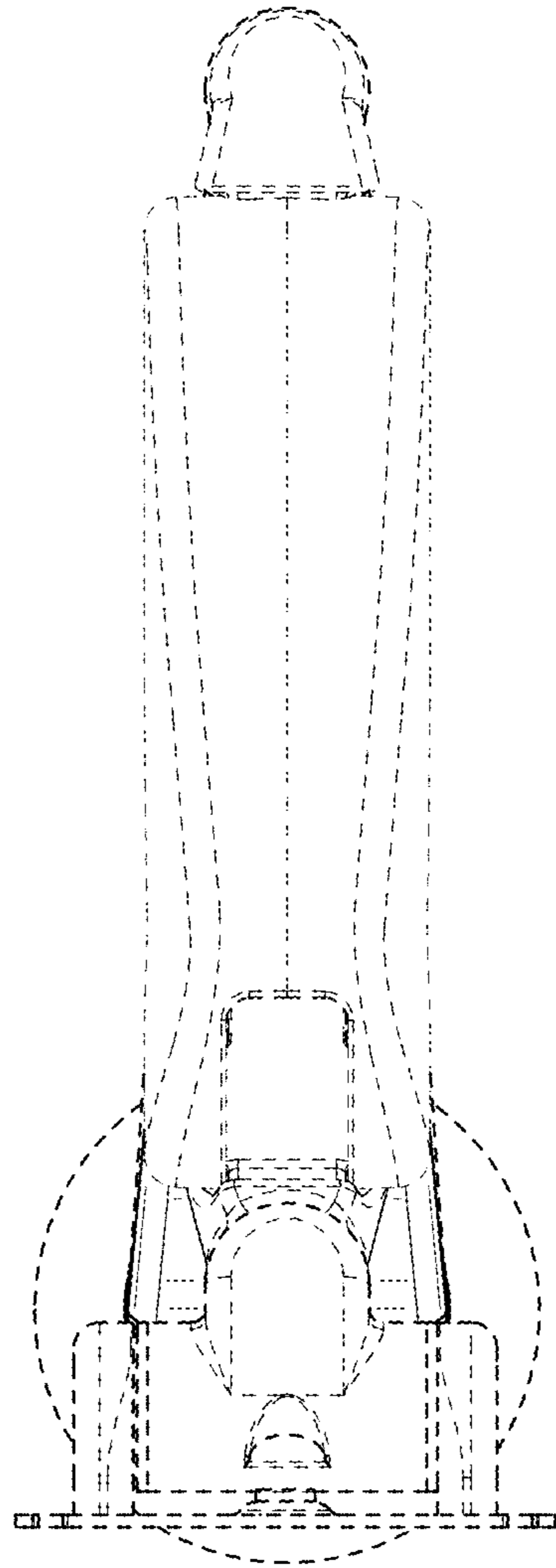


FIG. 6

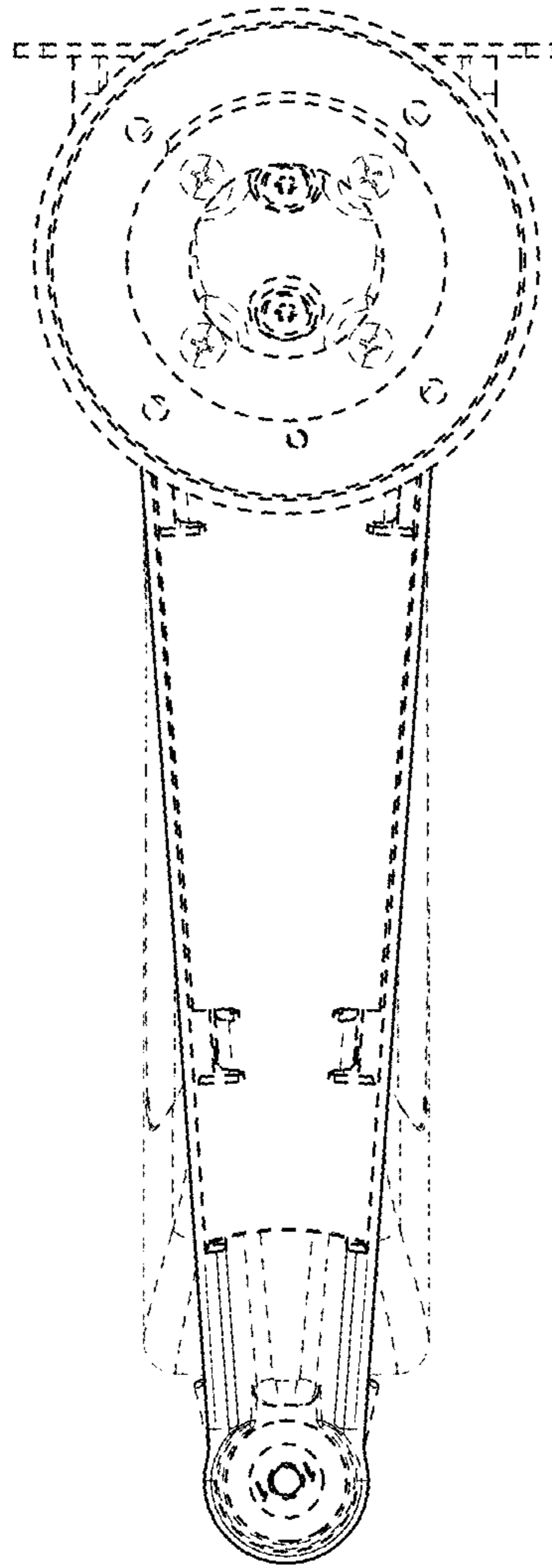


FIG. 7

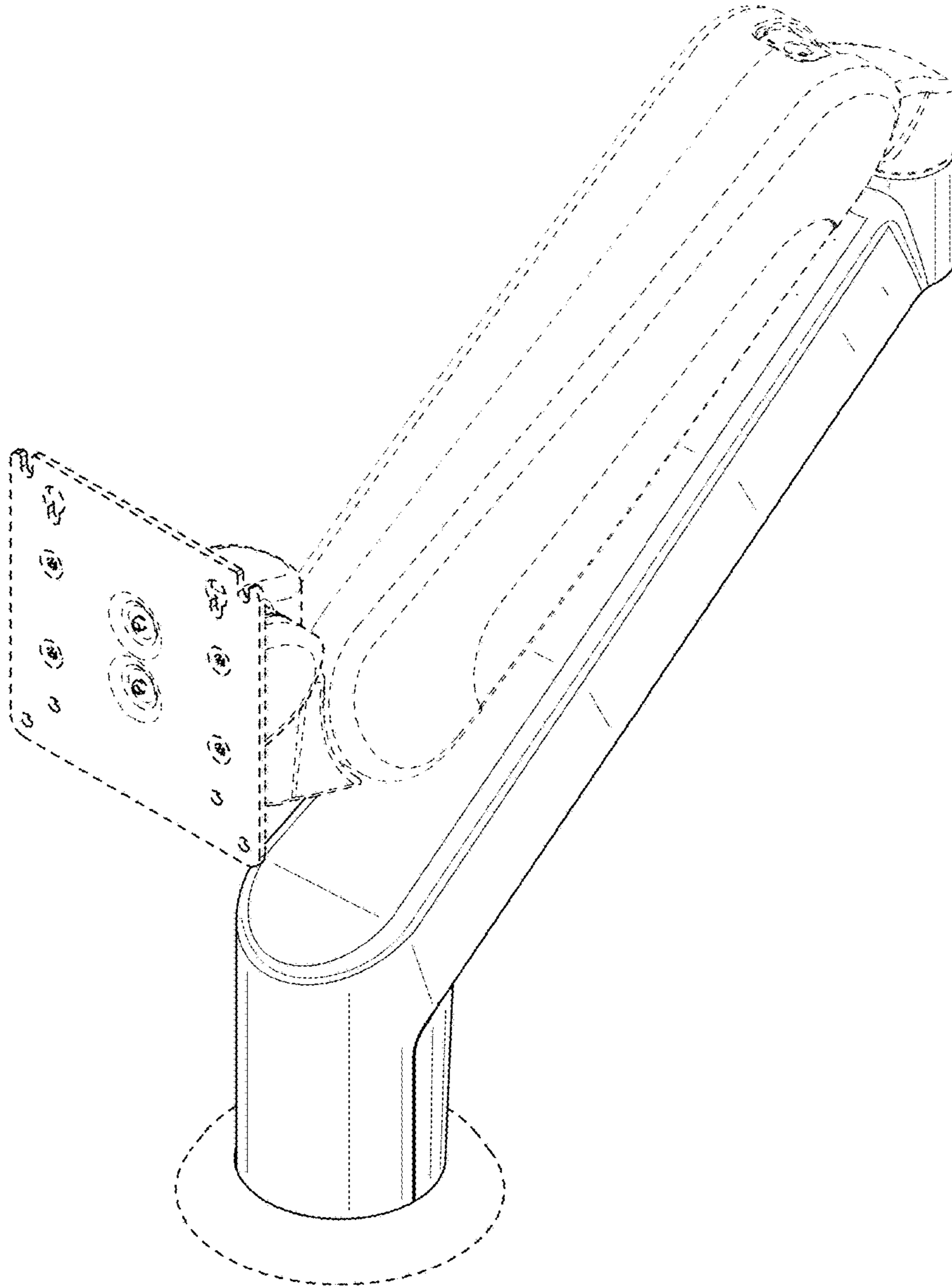


FIG. 8