



US00D834029S

(12) **United States Design Patent**
Wengreen

(10) **Patent No.:** **US D834,029 S**

(45) **Date of Patent:** **** Nov. 20, 2018**

(54) **MOUNT FOR ELECTRONIC DEVICES**

(71) Applicant: **Innovelis, Inc.**, Sammamish, WA (US)

(72) Inventor: **Eric John Wengreen**, Sammamish, WA (US)

(73) Assignee: **Innovelis, Inc.**, Sammamish, WA (US)

(**) Term: **15 Years**

(21) Appl. No.: **29/625,328**

(22) Filed: **Nov. 8, 2017**

(51) **LOC (11) Cl.** **08-07**

(52) **U.S. Cl.**
USPC **D14/447**

(58) **Field of Classification Search**
USPC D14/447, 432, 434, 439, 440, 451, 452,
D14/457, 239; D8/363, 373, 380;
D6/406.3, 406.4, 406.5, 406.6; D12/415
See application file for complete search history.

(56) **References Cited**

U.S. PATENT DOCUMENTS

1,618,573 A	2/1927	Cole
2,584,646 A	2/1952	Wagstaff
3,091,378 A	5/1963	O'Dwyer
D196,542 S	10/1963	Zelnick
3,176,950 A	4/1965	Hittesdorf
3,279,009 A	10/1966	Teasdale
3,294,298 A	12/1966	Danielson
3,477,679 A	11/1969	Lovitz
3,990,617 A	11/1976	Carter
D242,766 S	12/1976	Neece
4,067,532 A	1/1978	Viteretto
4,158,450 A	6/1979	Suzuki
4,467,244 A	8/1984	Dickie
4,519,656 A	5/1985	Raz
D280,466 S	9/1985	Seltzer

D282,034 S	1/1986	Janke	
4,602,761 A	7/1986	Carter	
D287,365 S *	12/1986	Judd D14/447
4,697,780 A	10/1987	Wenkman	
4,746,042 A	5/1988	King	
4,771,927 A	9/1988	Ventura	
4,815,683 A	3/1989	Ferrante	
4,825,590 A	5/1989	Cullinane	
4,826,115 A	5/1989	Novitski	
4,840,773 A	6/1989	Wade	
4,852,843 A	8/1989	Chandler	
4,974,764 A	12/1990	Cantwell	
D317,157 S	5/1991	Jondelius	
5,038,985 A	8/1991	Chapin	

(Continued)

Primary Examiner — Angela J Lee

(57) **CLAIM**

The ornamental design for a mount for electronic devices, as shown and described.

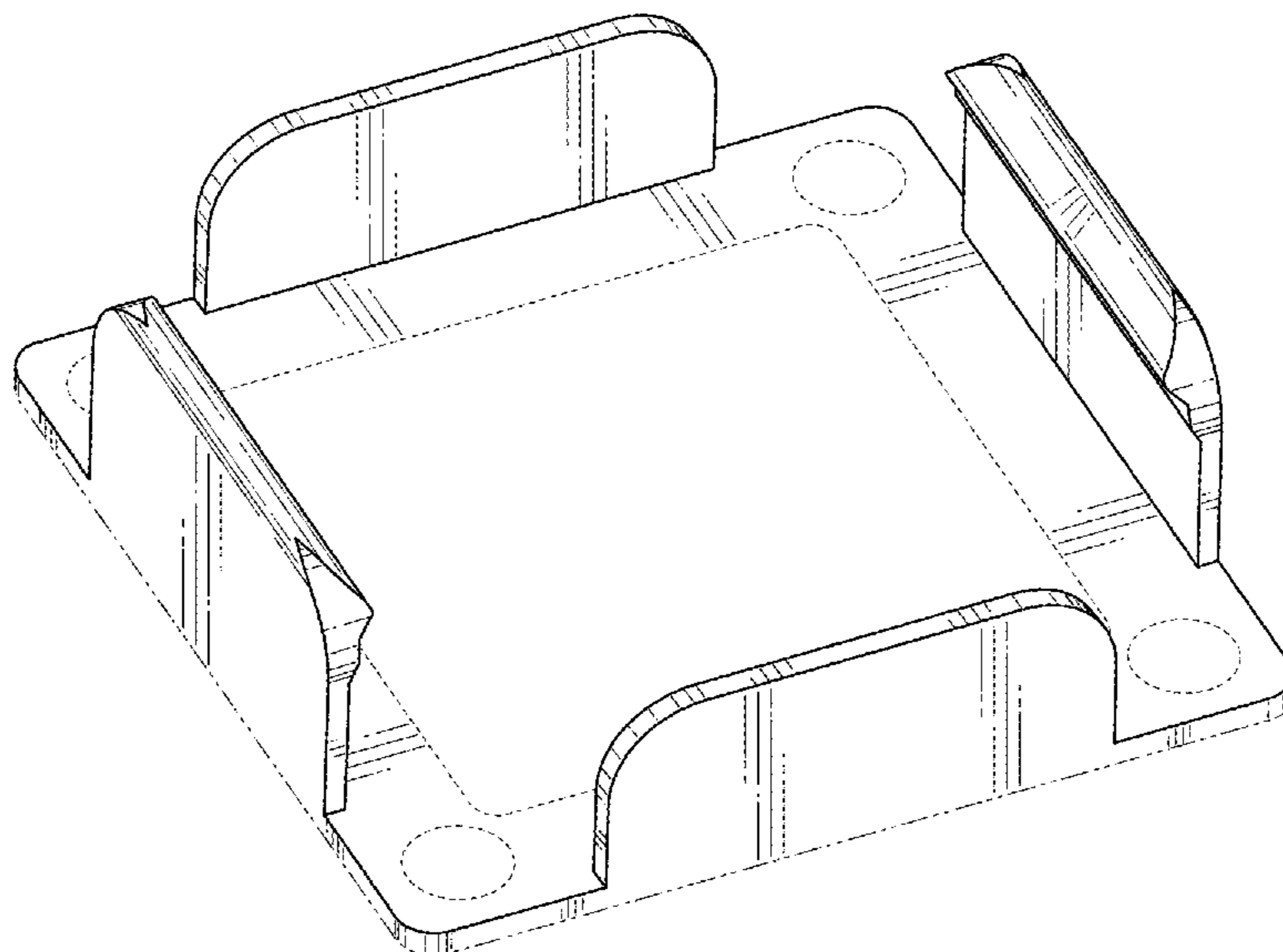
DESCRIPTION

FIG. 1 is a front, first side, and bottom perspective view of a mount for electronic devices embodying the new design; FIG. 2 is a front, second side, and top perspective view thereof;

FIG. 3 is a front view thereof;
FIG. 4 is a back view thereof;
FIG. 5 is a bottom view thereof;
FIG. 6 is a top view thereof;
FIG. 7 is a first side view thereof; and,
FIG. 8 is a second side view thereof.

The uniform repeating broken lines depict portions of a mount for electronic devices in which the claimed design is embodied and form no part of the claimed design. The uniform repeating line that comprises a long dash followed by two short dashes represents a boundary of the claimed design and forms no part of the claimed design.

1 Claim, 8 Drawing Sheets



(56)

References Cited

U.S. PATENT DOCUMENTS

D741,146 S *	10/2015	Delrue	D14/447	2005/0023419 A1	2/2005	Frankel
D742,387 S	11/2015	Xiang		2005/0211861 A1	9/2005	Lee
9,185,953 B2	11/2015	Whitten		2005/0236541 A1	10/2005	Chang
D746,599 S	1/2016	Olson		2006/0224575 A1	10/2006	Ostojic
D749,549 S	2/2016	Wengreen		2007/0097617 A1	5/2007	Searby
D749,597 S	2/2016	Wengreen		2007/0235609 A1	10/2007	Chun
D750,633 S	3/2016	Minn		2007/0264169 A1	11/2007	Chen
D751,563 S	3/2016	Wengreen		2008/0078793 A1	4/2008	Brown
D752,415 S	3/2016	Lu		2009/0218454 A1	9/2009	Stanley
D757,521 S *	5/2016	Rosner	D8/354	2009/0296997 A1	12/2009	Rocheford
9,339,112 B2	5/2016	Wengreen		2010/0270190 A1	10/2010	Howard
D759,005 S	6/2016	Murakami		2010/0281671 A1	11/2010	De Vaan
D759,018 S	6/2016	Subramaniam		2010/0288895 A1	11/2010	Shamie
D761,236 S	7/2016	Wengreen		2010/0314277 A1	12/2010	Murray
D763,666 S	8/2016	Wengreen		2011/0242439 A1	10/2011	Calderon
D763,835 S	8/2016	Wengreen		2012/0126081 A1	5/2012	Wengreen
D765,063 S	8/2016	Wengreen		2012/0127379 A1	5/2012	Wengreen
D765,064 S	8/2016	Wengreen		2012/0168516 A1	7/2012	Bolger
D765,646 S	9/2016	Deng		2012/0280014 A1	11/2012	Lopez-Apodaca
D765,651 S	9/2016	Liu		2012/0312950 A1	12/2012	Sears
D767,377 S	9/2016	Sekula		2014/0061406 A1	3/2014	Chevalier
D770,171 S	11/2016	Lai		2014/0103179 A1	4/2014	Lipke
D772,217 S	11/2016	Alesi		2014/0241705 A1	8/2014	Wengreen
D773,465 S *	12/2016	Palmer	D14/434	2015/0070835 A1	3/2015	McLean
D777,167 S	1/2017	Wengreen		2015/0212544 A1	7/2015	Chen
9,543,082 B1	1/2017	Wengreen		2015/0305502 A1	10/2015	Wengreen
D778,105 S *	2/2017	Coffey, Jr.	D14/447	2016/0007735 A1	1/2016	Gallup
D779,466 S	2/2017	Wengreen		2016/0119458 A1	4/2016	Gunther
9,578,960 B1	2/2017	Kuan-Yen		2016/0120295 A1	5/2016	Rowley
D780,762 S	3/2017	Ju		2016/0218535 A1	7/2016	Prete
D795,820 S	8/2017	Wengreen		2016/0234955 A1	8/2016	Wengreen
D825,576 S *	8/2018	Krupa	D14/447	2016/0241289 A1	8/2016	Wieth
				2017/0150620 A1	5/2017	Wengreen
				2017/0208945 A1	7/2017	Wengreen

* cited by examiner

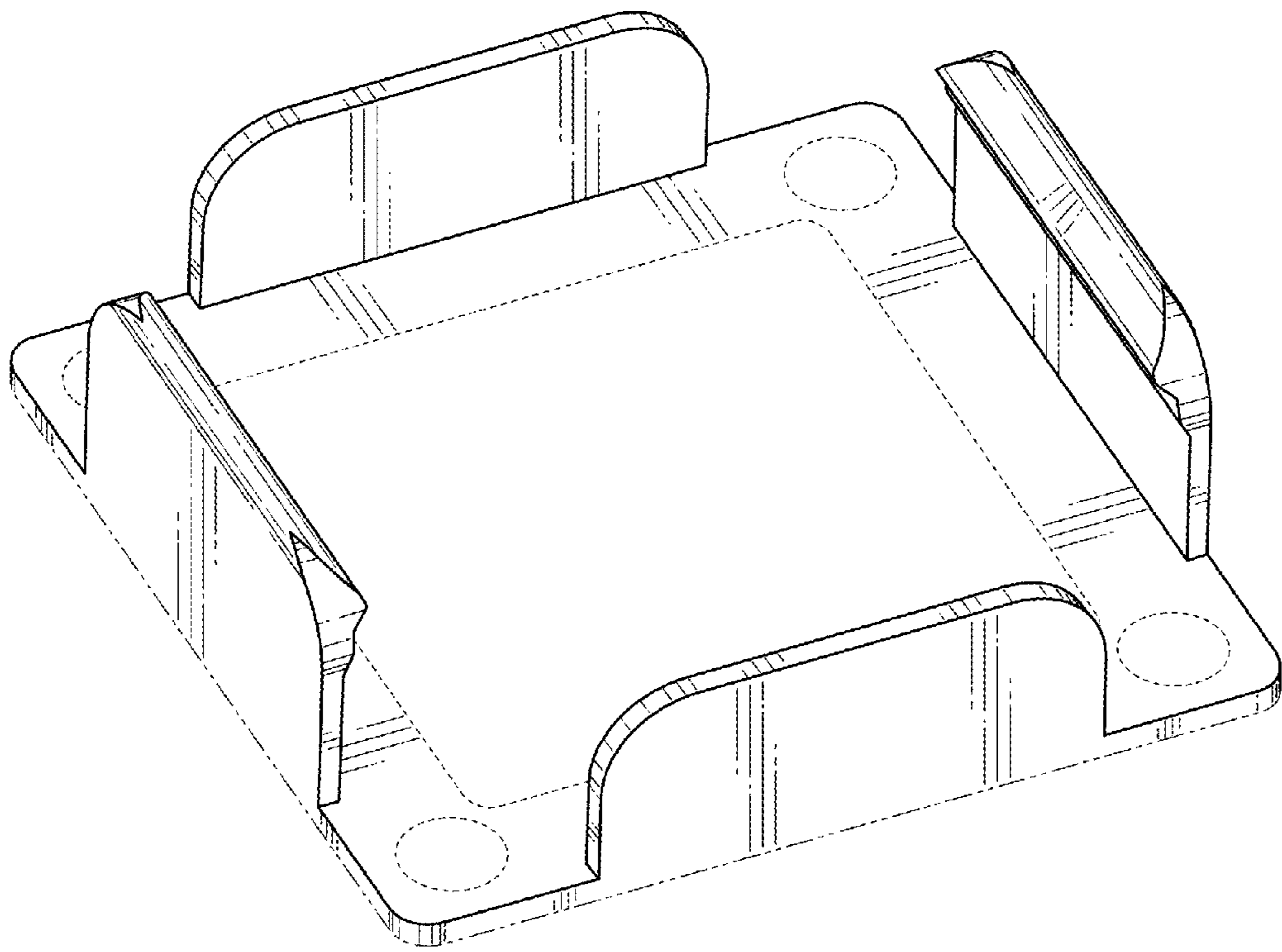


FIG. 1

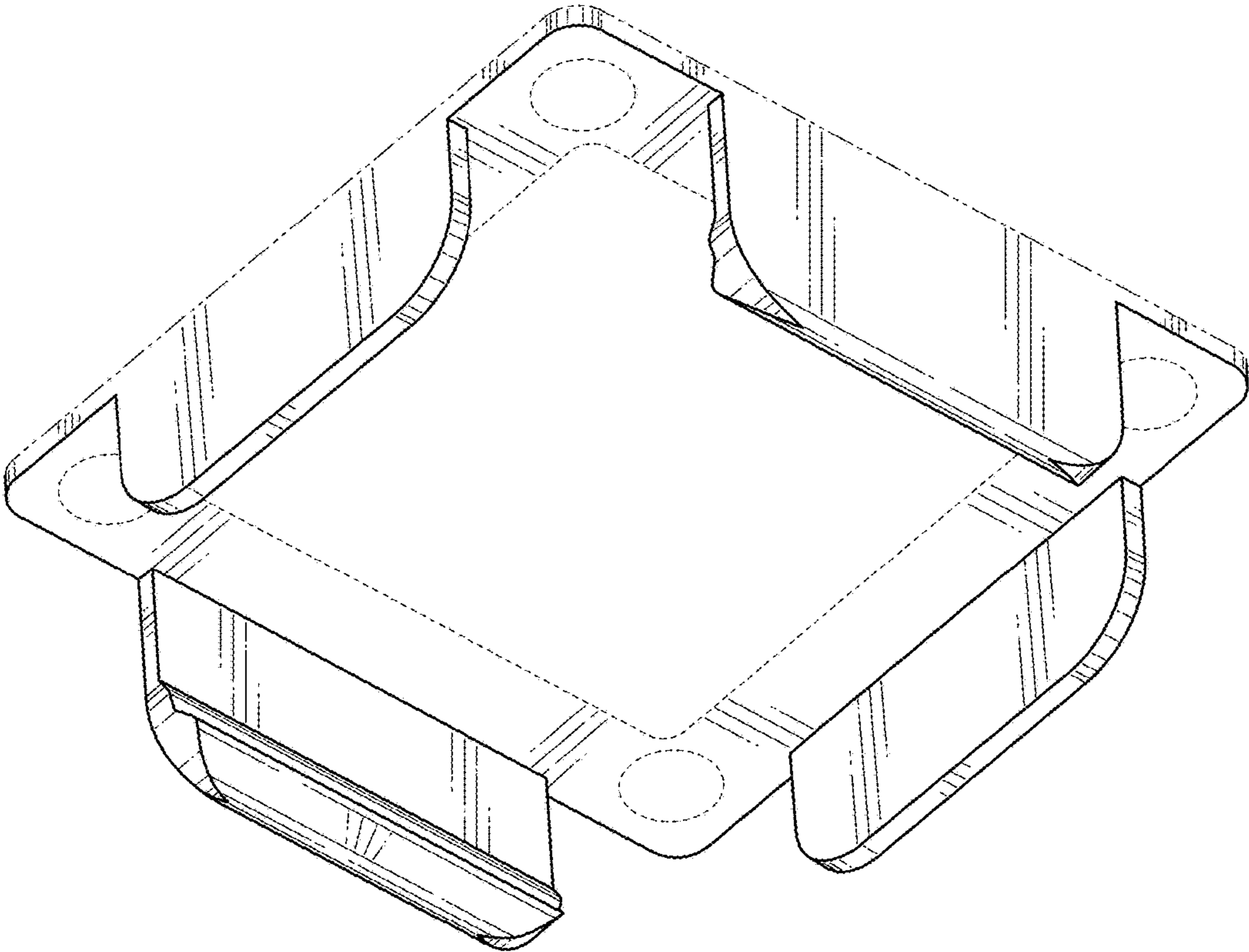


FIG. 2

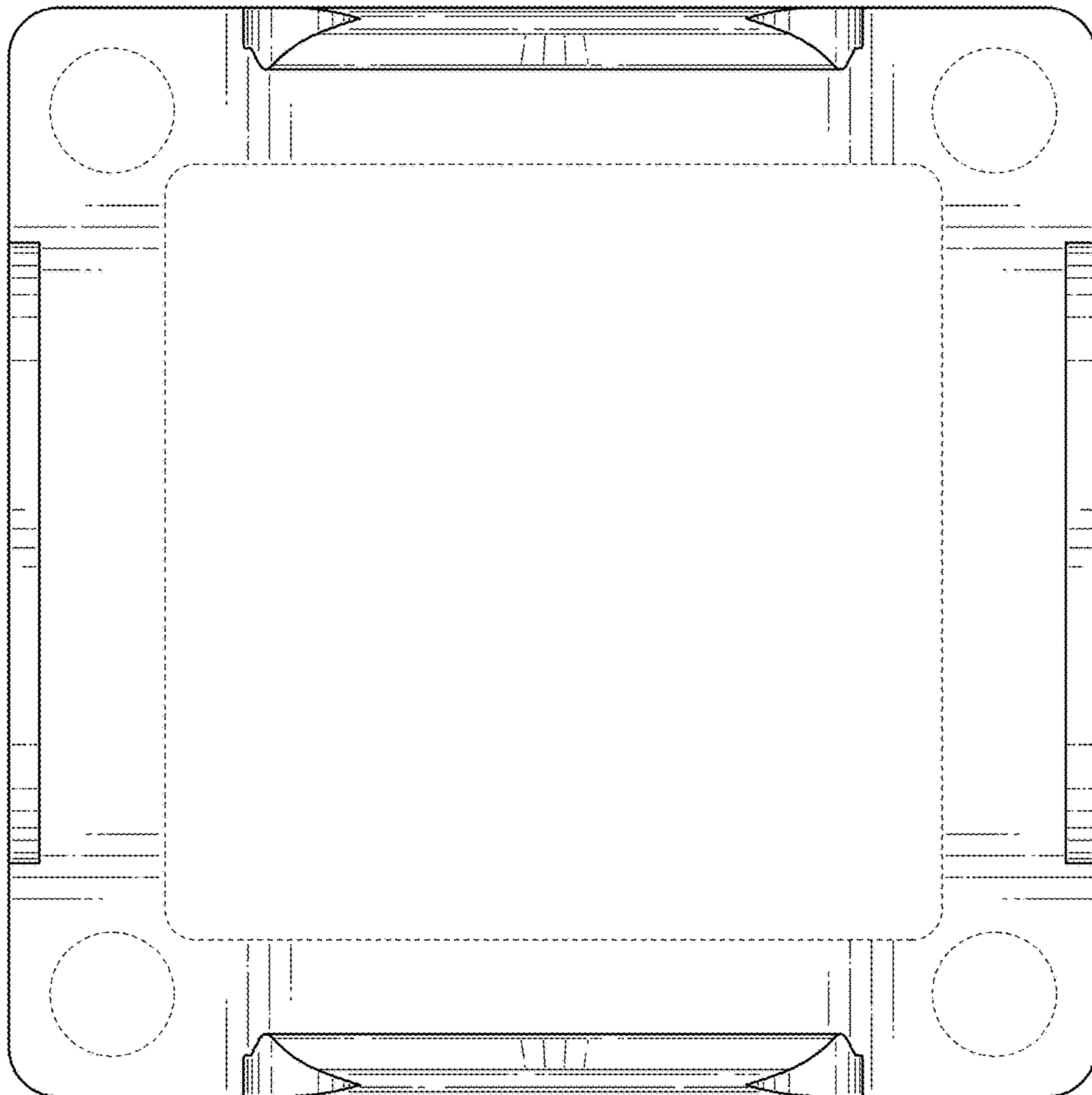


FIG. 3

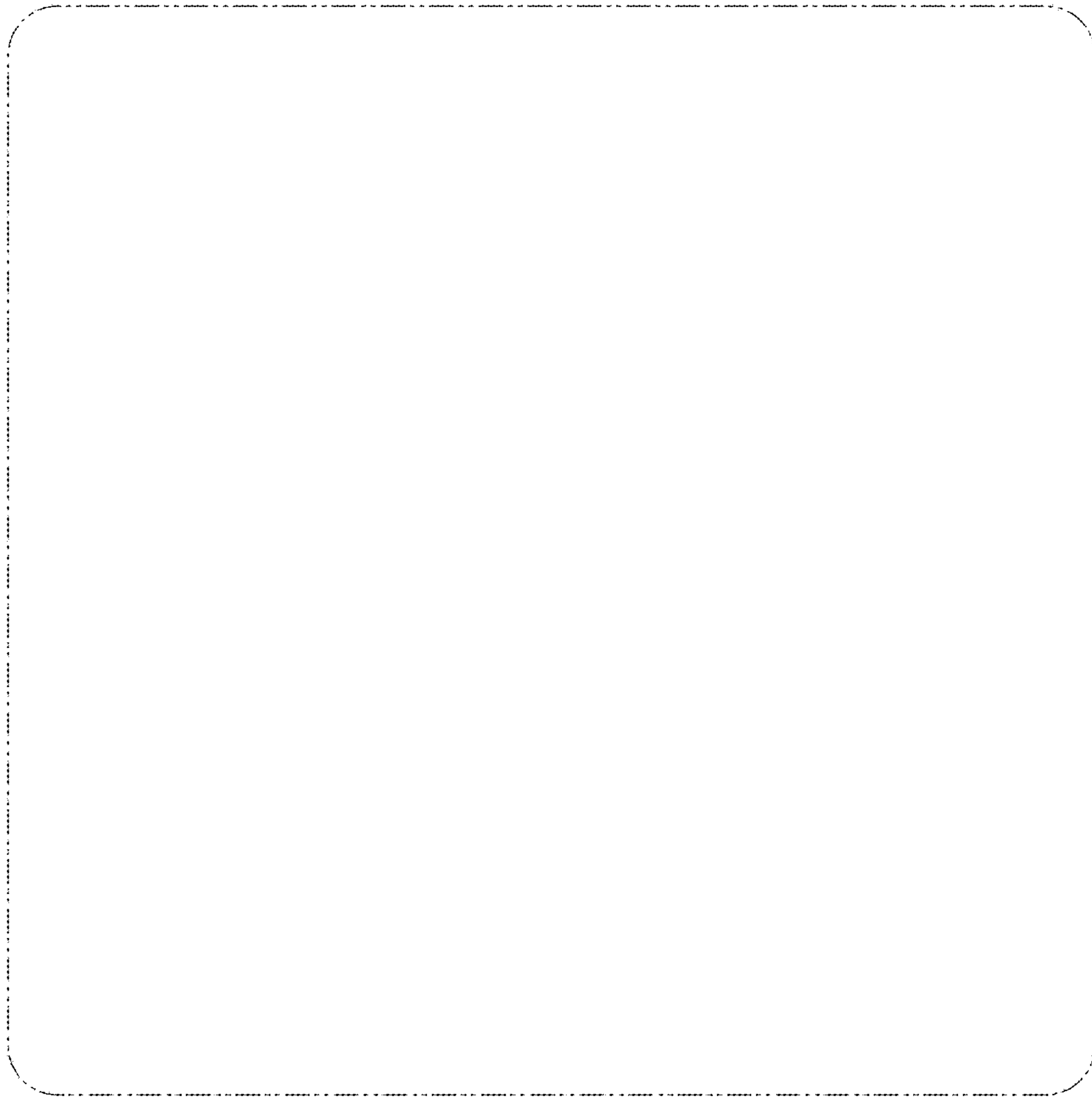


FIG. 4

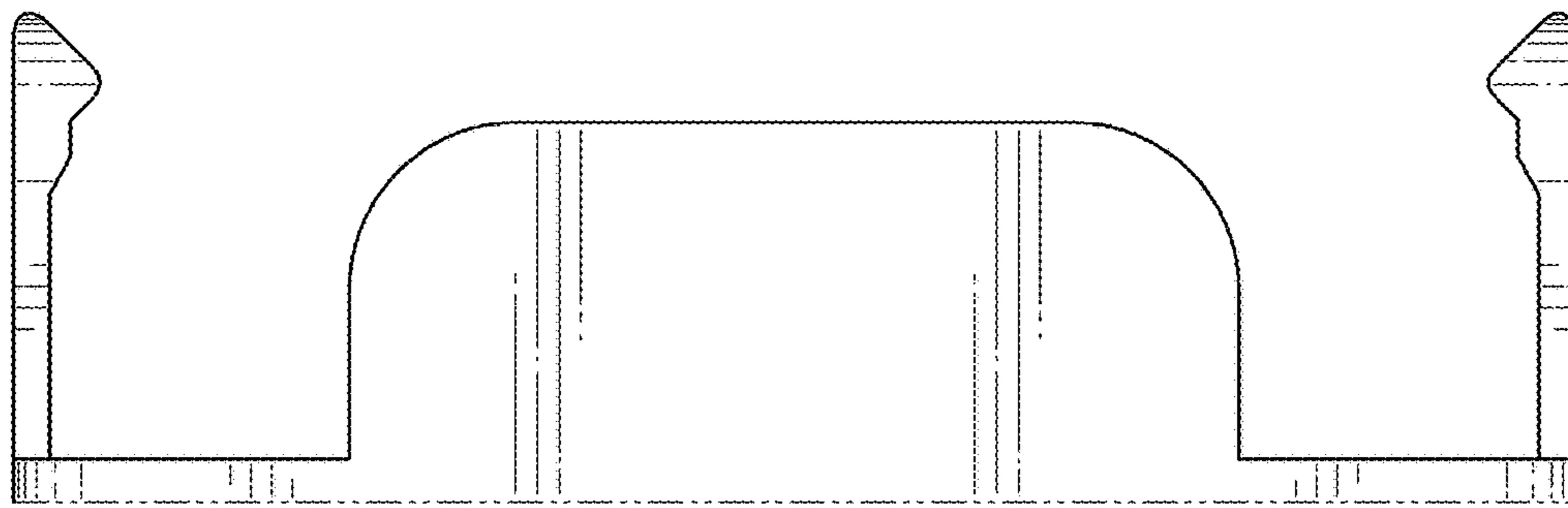


FIG. 5

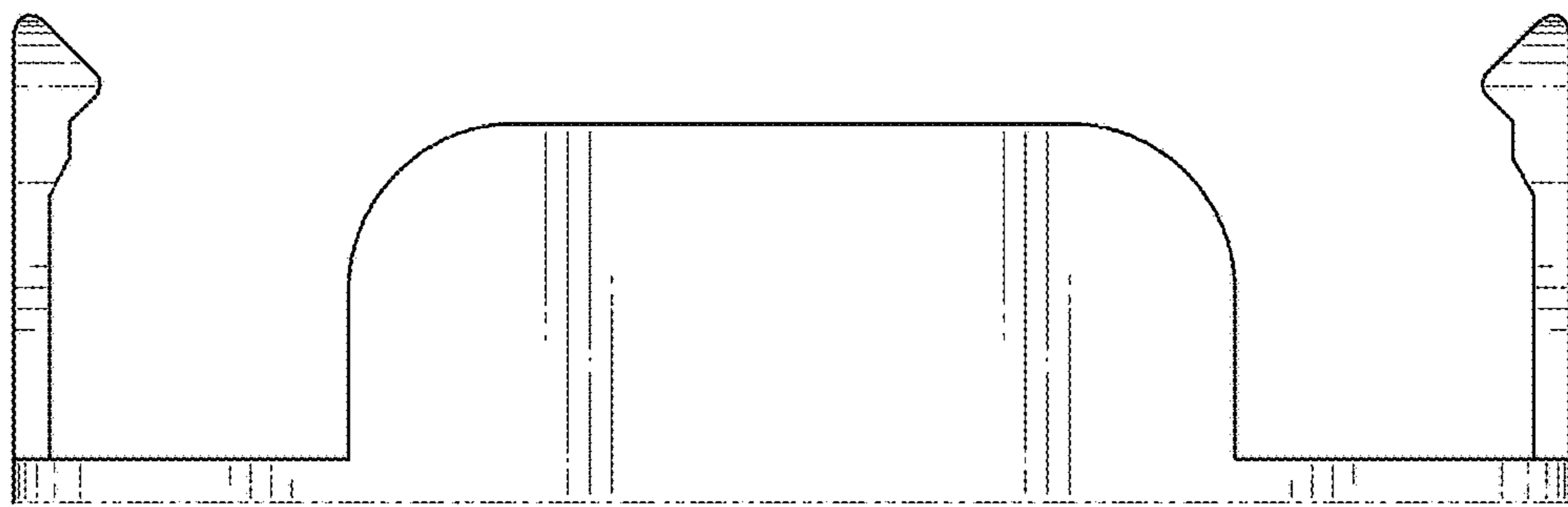


FIG. 6

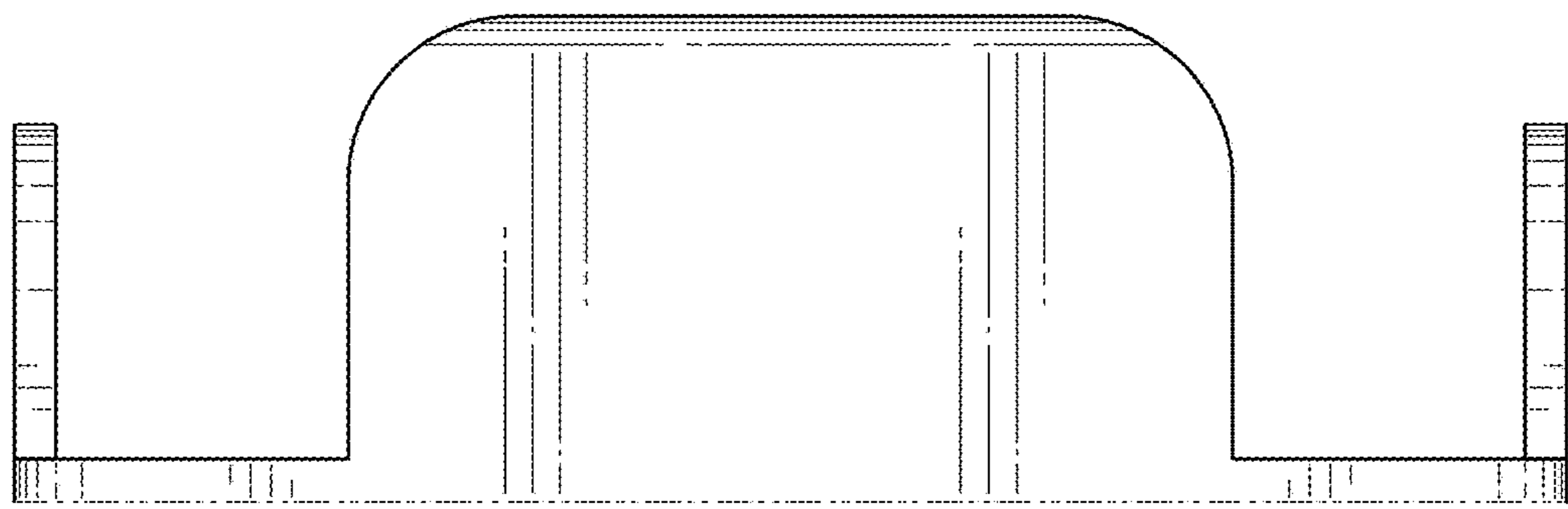


FIG. 7

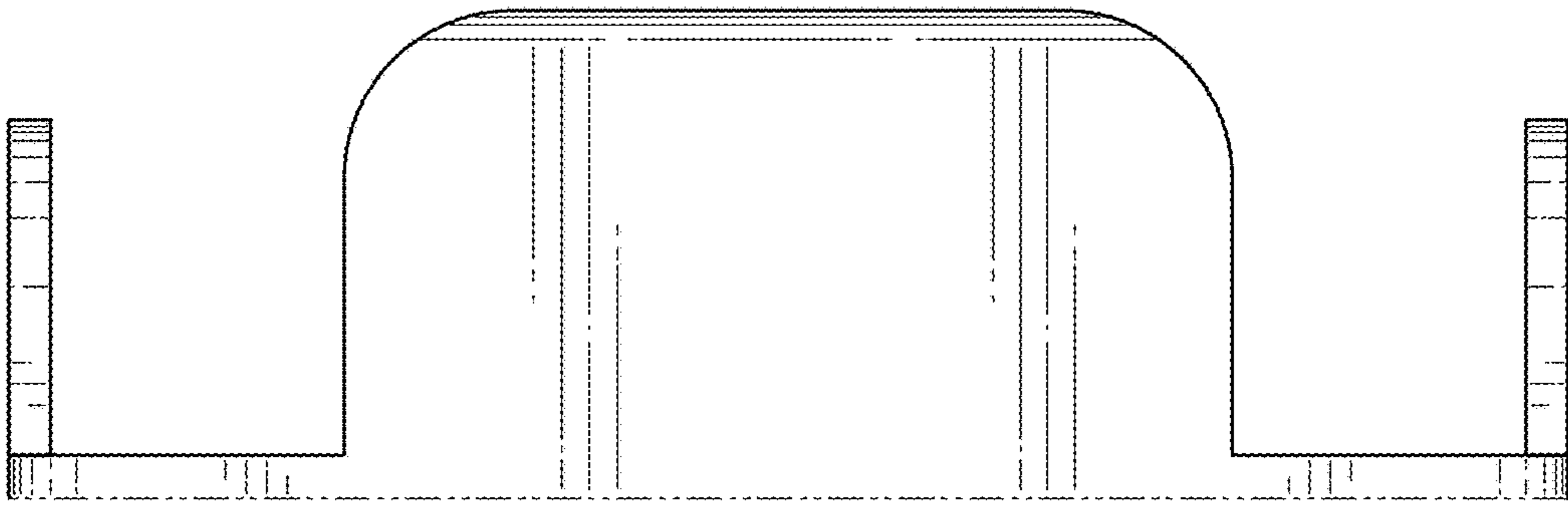


FIG. 8