

US00D834028S

(12) **United States Design Patent** (10) **Patent No.:** **US D834,028 S**  
**Wu** (45) **Date of Patent:** **\*\* Nov. 20, 2018**

(54) **ELEVATED COMPUTER STAND**  
(71) Applicant: **Youyou Wu**, Arcadia, CA (US)  
(72) Inventor: **Youyou Wu**, Arcadia, CA (US)  
(\*\*) Term: **15 Years**  
(21) Appl. No.: **29/618,367**  
(22) Filed: **Sep. 20, 2017**  
(51) **LOC (11) Cl.** ..... **08-07**  
(52) **U.S. Cl.**  
USPC ..... **D14/447**  
(58) **Field of Classification Search**  
USPC ..... D14/447, 432, 434, 439, 440, 451, 452,  
D14/457, 239; D8/363, 373, 380;  
D6/406.3, 406.4, 406.5, 406.6; D12/415;  
D13/108, 144  
See application file for complete search history.

D788,781 S \* 6/2017 Chen ..... D14/447  
D798,874 S \* 10/2017 Klabukov ..... D14/447  
D804,490 S \* 12/2017 Wei ..... D14/447  
D824,915 S \* 8/2018 Hsu ..... D14/447

\* cited by examiner

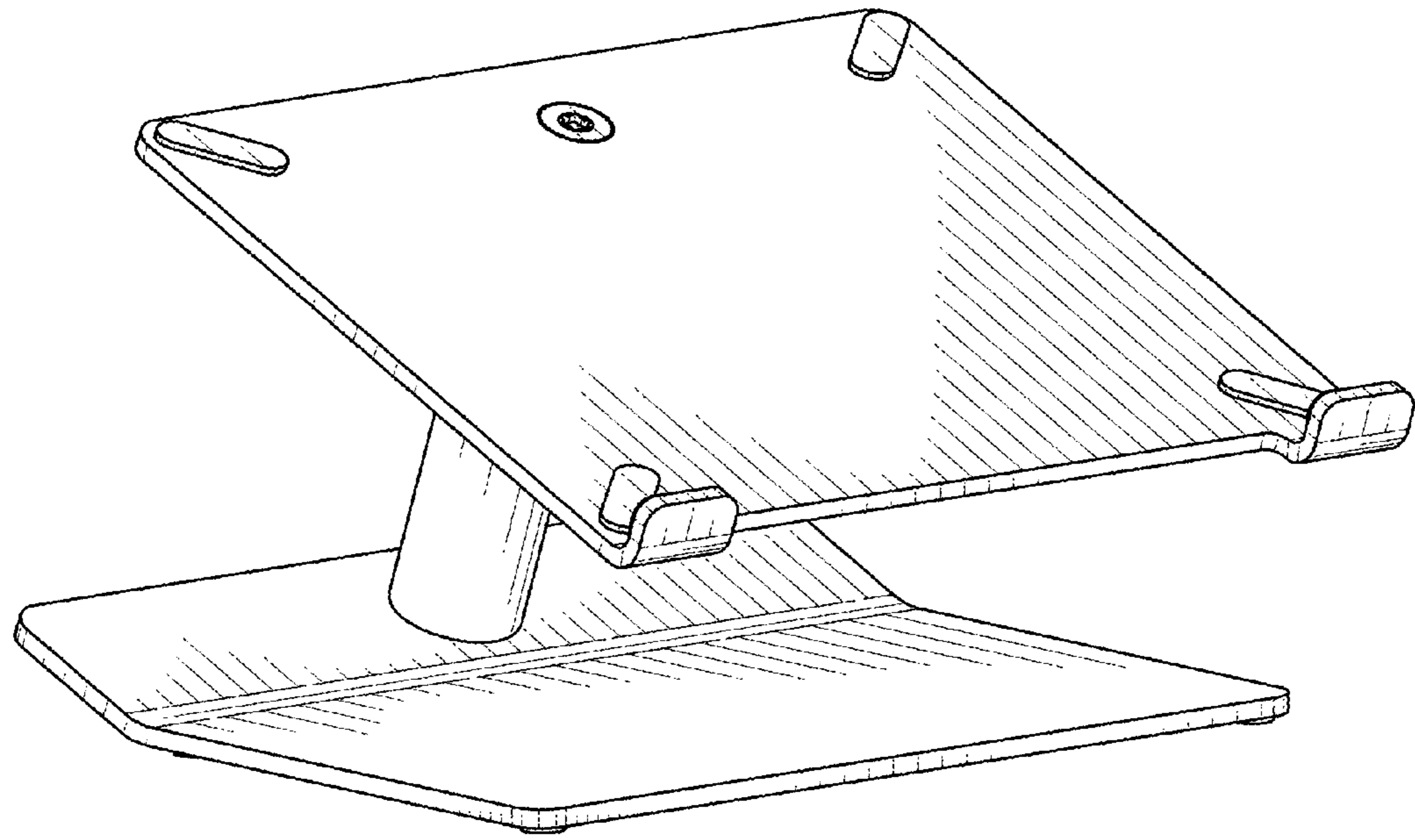
*Primary Examiner* — Angela J Lee  
(74) *Attorney, Agent, or Firm* — QuickPatents, LLC;  
Kevin Prince

(56) **References Cited**  
U.S. PATENT DOCUMENTS  
D559,850 S 1/2008 Lye  
D589,964 S \* 4/2009 Heggland ..... D14/434  
D591,303 S \* 4/2009 Heggland ..... D14/434  
D619,139 S \* 7/2010 Ho ..... D14/447  
D687,441 S \* 8/2013 Janzen ..... D14/447  
D687,832 S \* 8/2013 Edwards ..... D14/447  
D703,677 S \* 4/2014 Bigazzi ..... D14/447  
D707,230 S \* 6/2014 Castronovo ..... D14/447  
D726,733 S \* 4/2015 Specht ..... D14/447  
D769,247 S \* 10/2016 Heyen ..... D14/447

(57) **CLAIM**  
I claim the ornamental design for a elevated computer stand,  
as shown and described.

**DESCRIPTION**  
FIG. 1 is a rear perspective view of a elevated computer stand, showing my new design;  
FIG. 2 is a front perspective view thereof;  
FIG. 3 is a front elevational view thereof;  
FIG. 4 is a rear elevational view thereof;  
FIG. 5 is a left-side elevational view thereof;  
FIG. 6 is a right-side elevational view thereof;  
FIG. 7 is a top plan view thereof; and,  
FIG. 8 is a bottom plan view thereof.  
The broken lines showing a computer in FIG. 1 depict environmental matter and form no part of the claimed design.

**1 Claim, 6 Drawing Sheets**



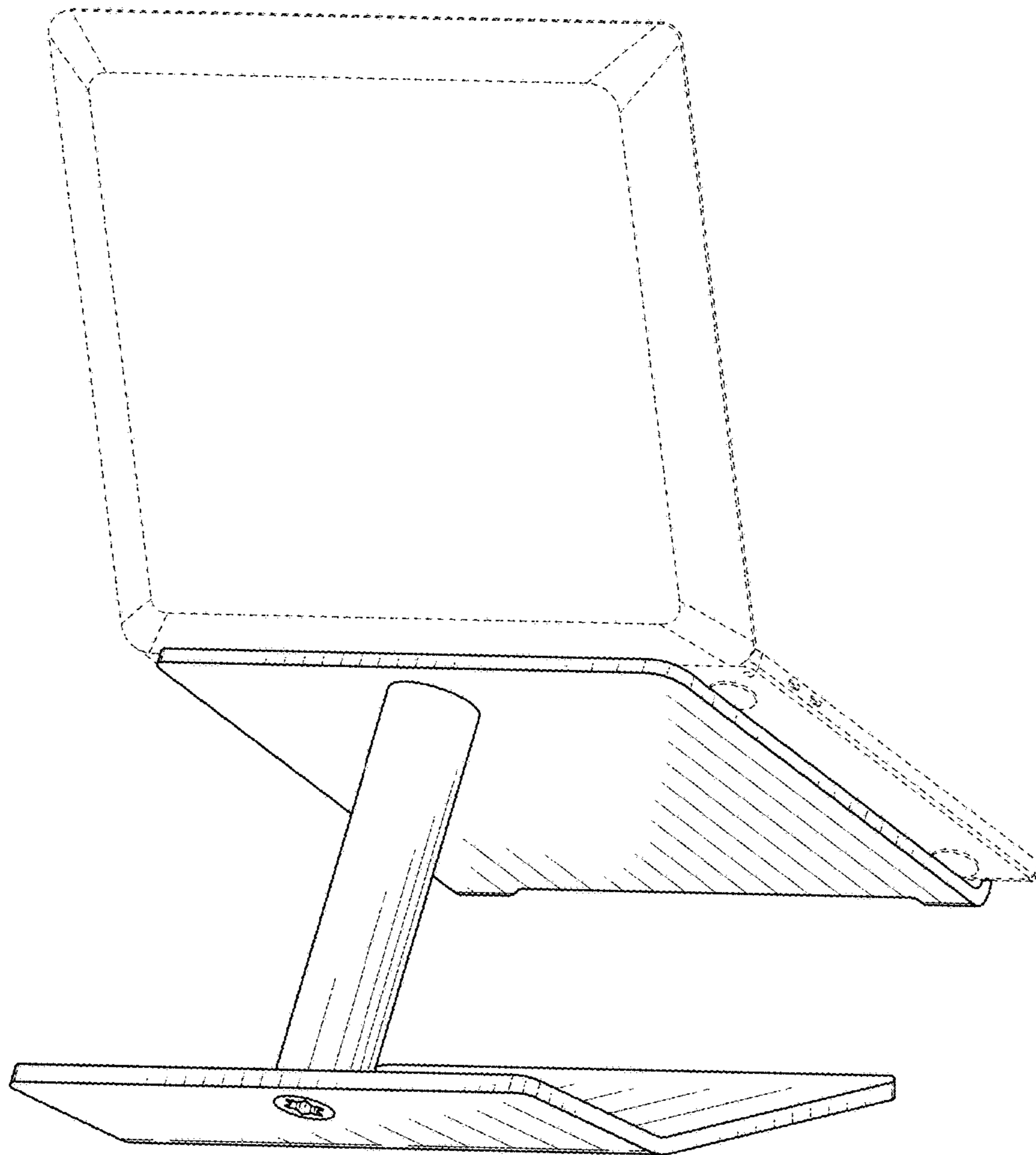


FIG. 1

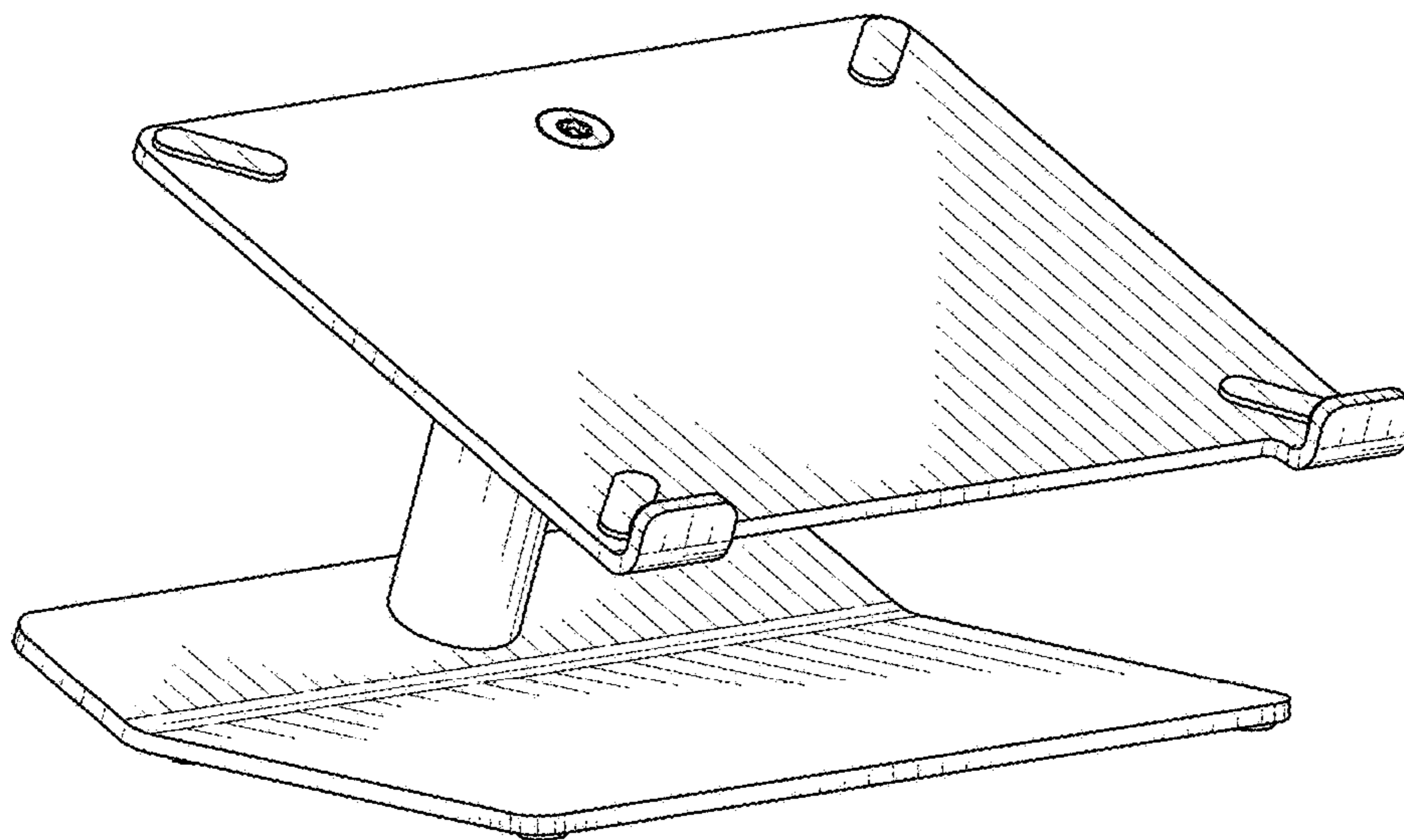


FIG. 2

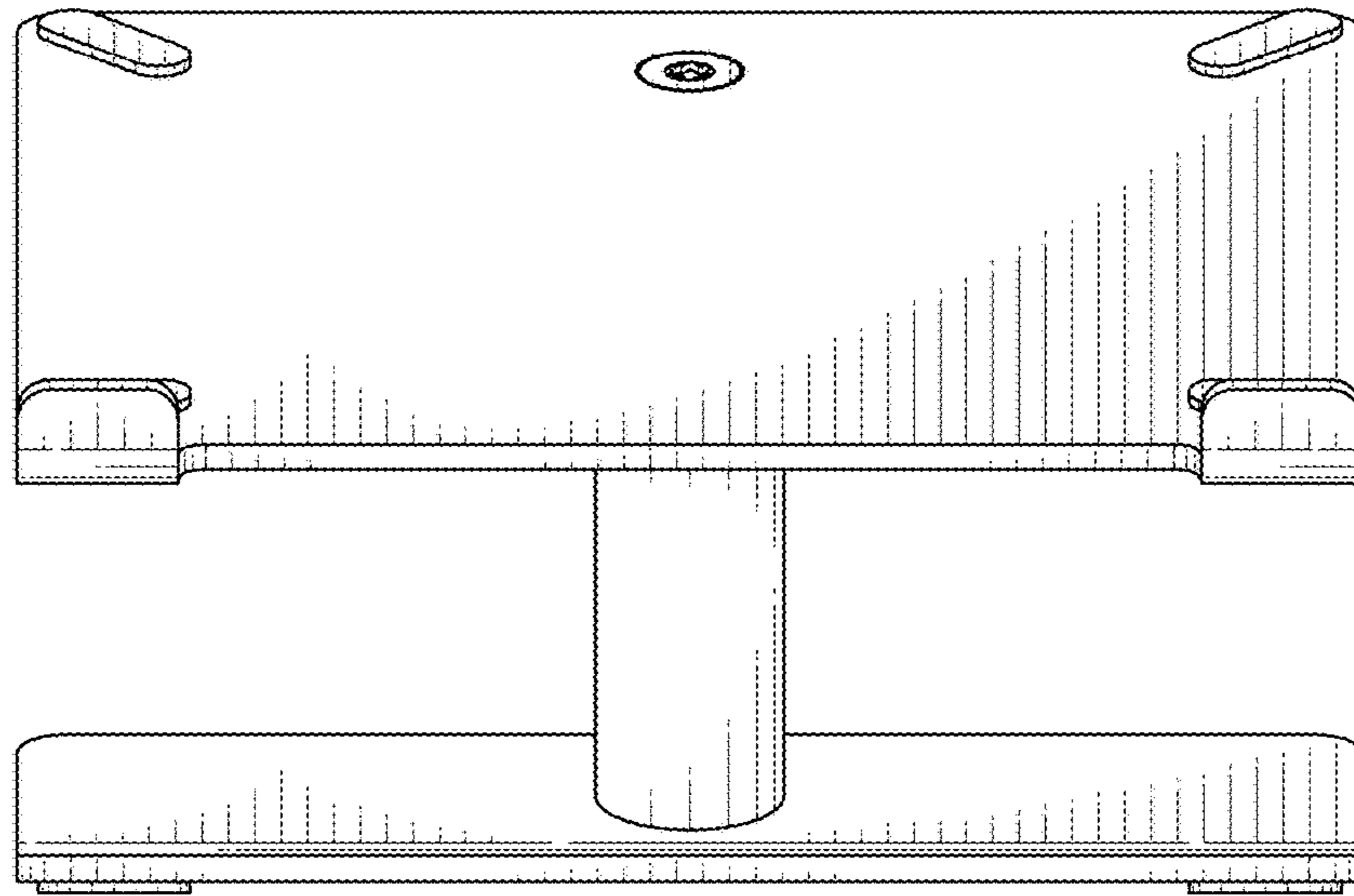


FIG. 3

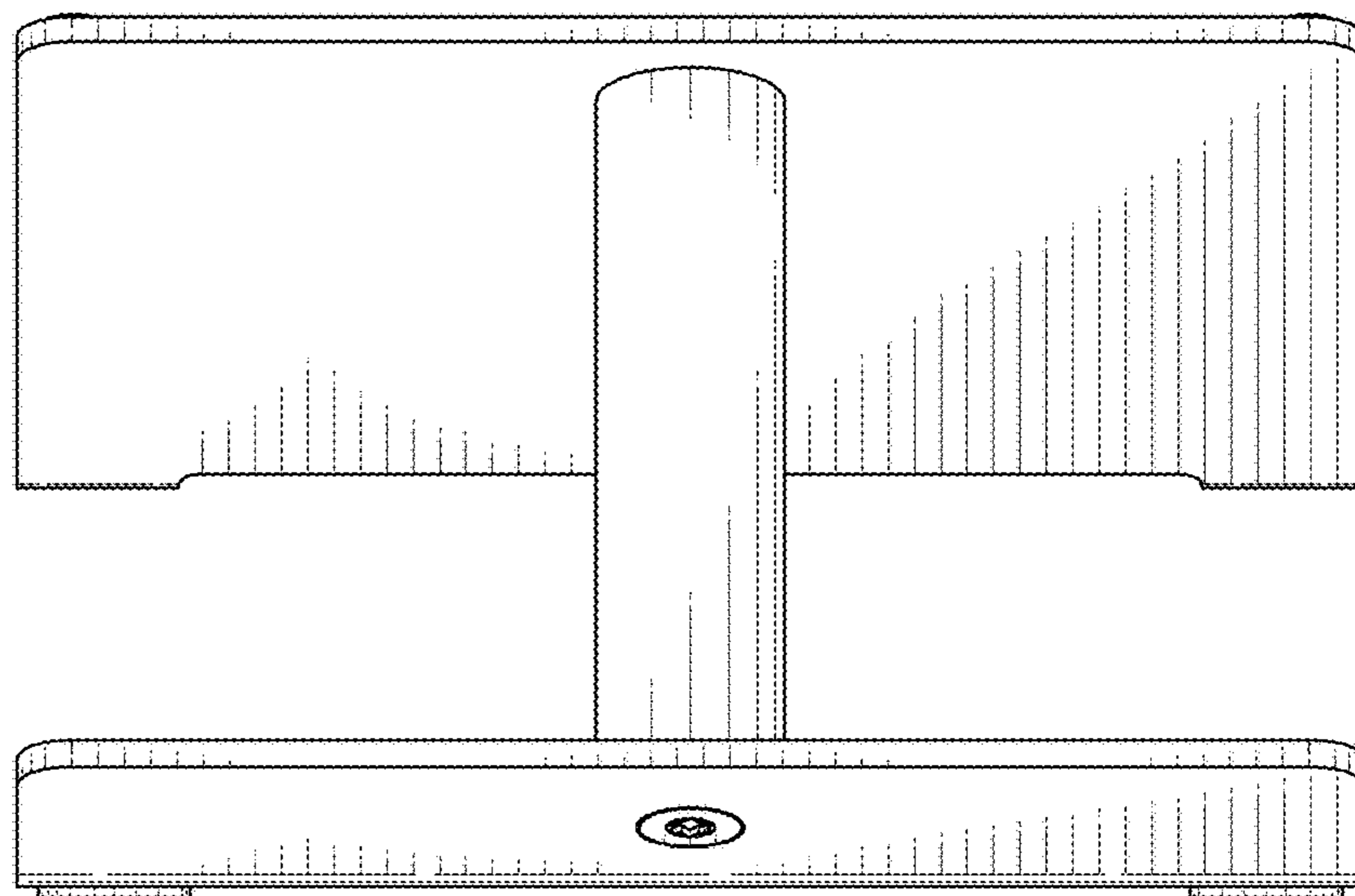


FIG. 4

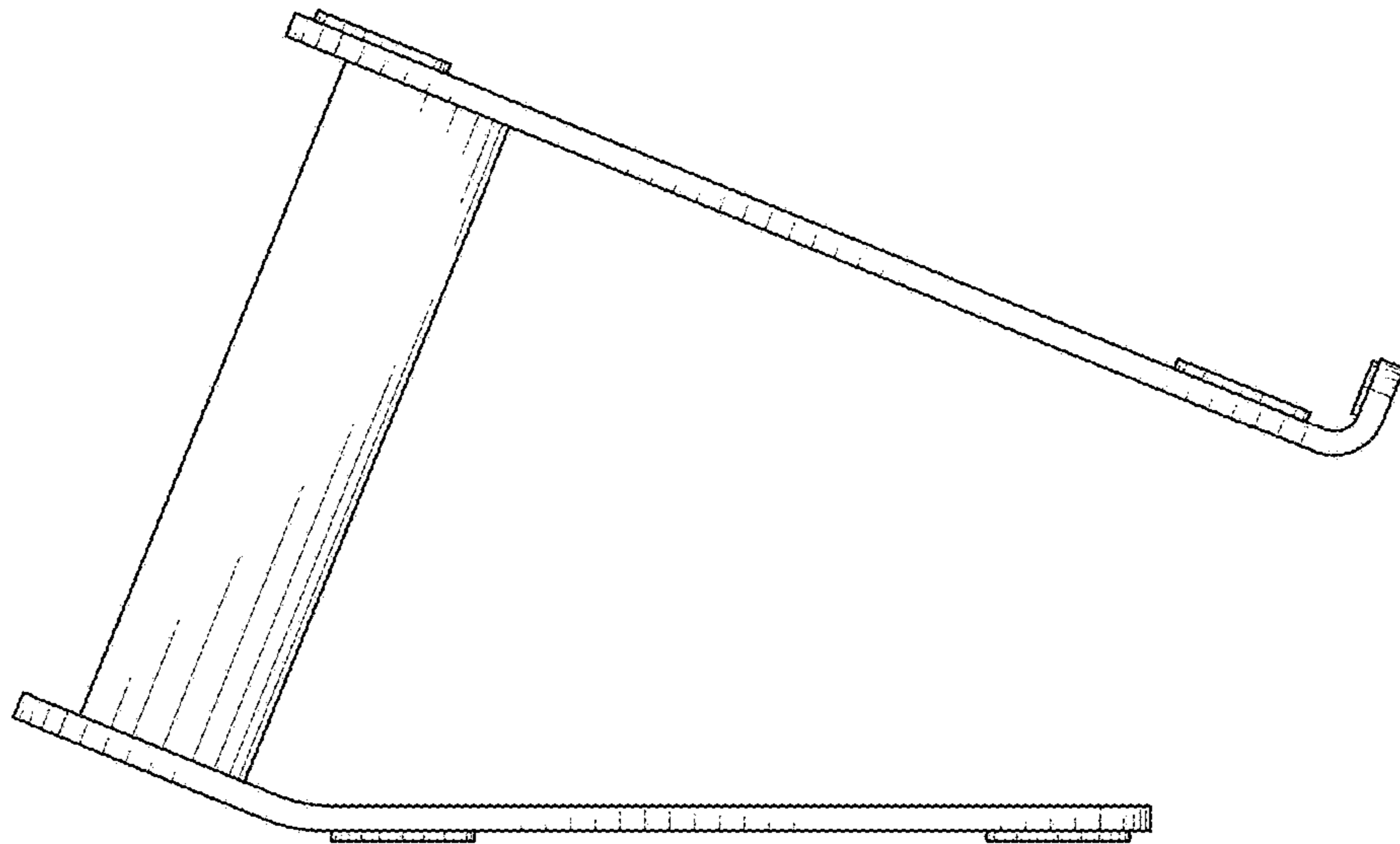


FIG. 5

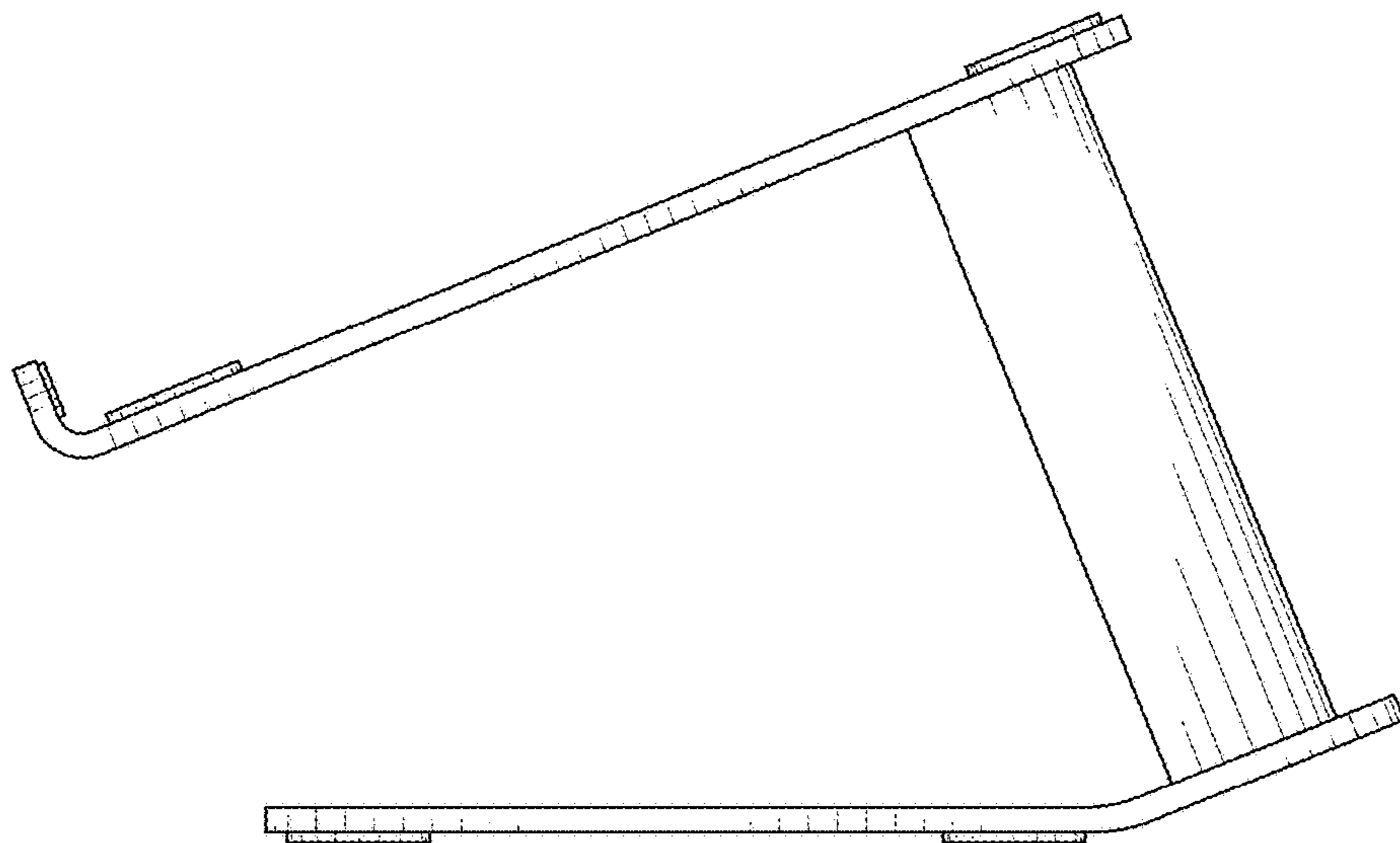


FIG. 6

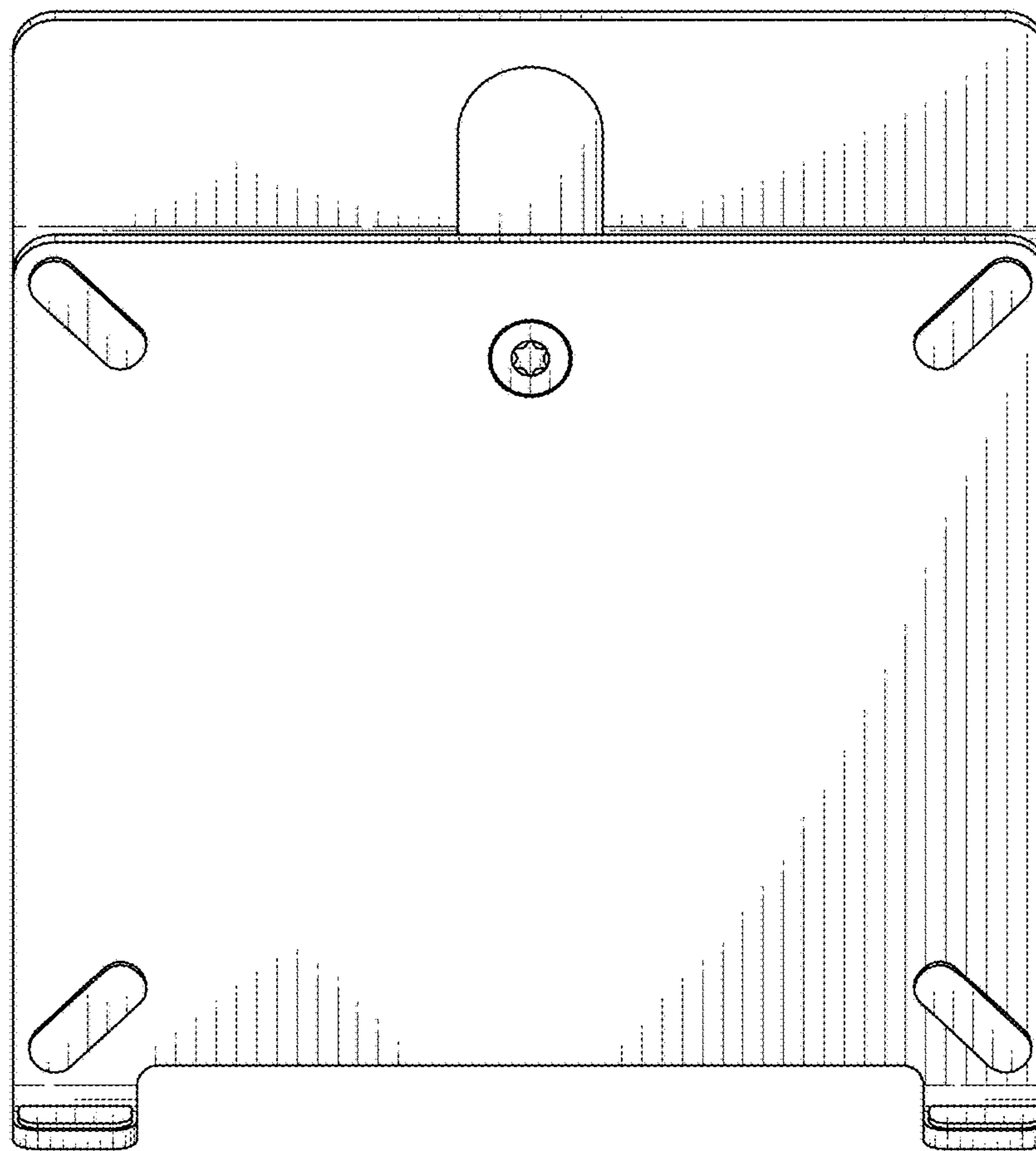


FIG. 7

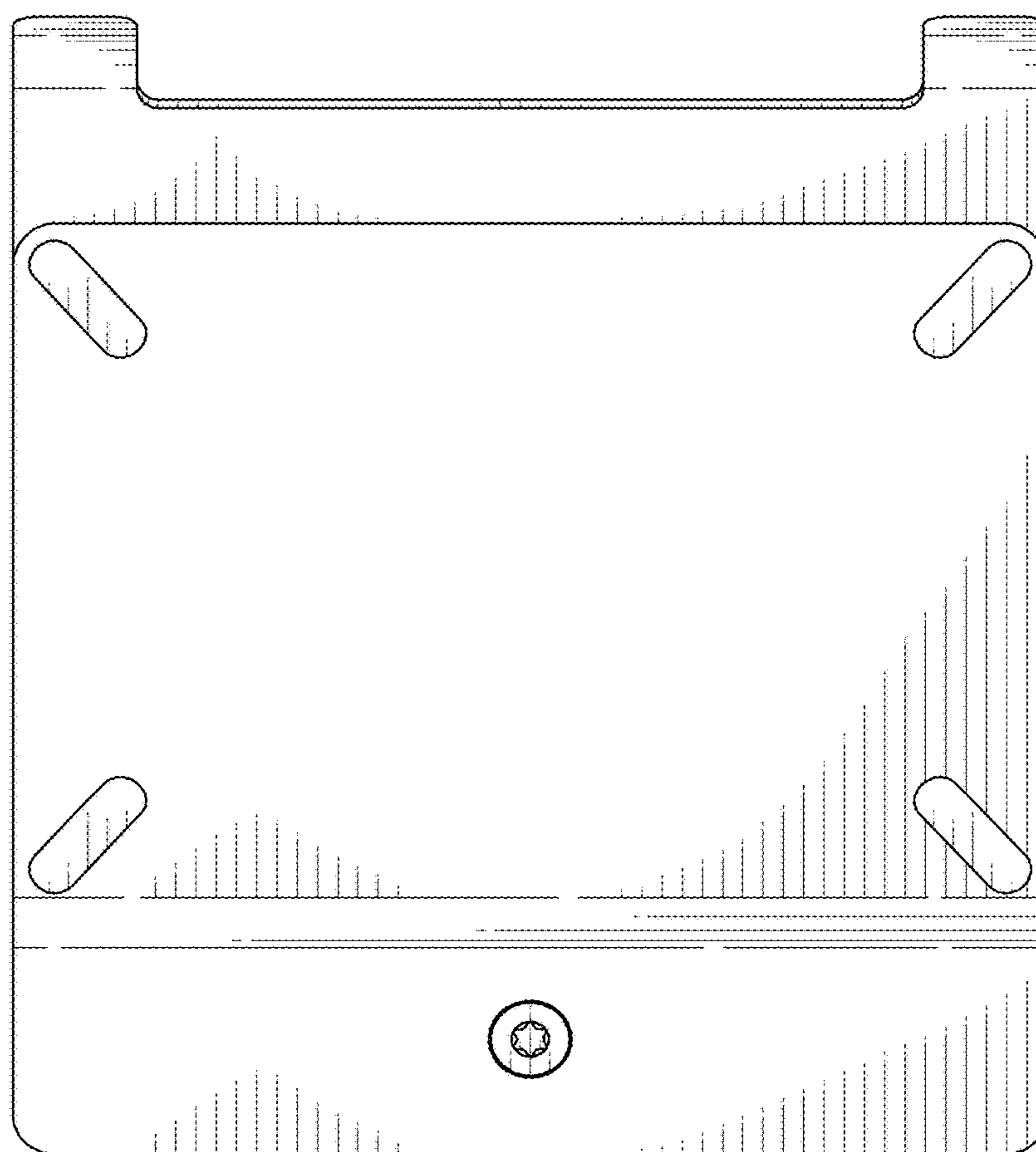


FIG. 8