



US00D834027S

(12) **United States Design Patent** (10) **Patent No.:** **US D834,027 S**  
**Chapuis et al.** (45) **Date of Patent:** **\*\* Nov. 20, 2018**

(54) **TABLET COMPUTER ENCLOSURE WITH HANDLES**

FOREIGN PATENT DOCUMENTS

(71) Applicant: **June20, Inc.**, Hayward, CA (US)

CN 102334864 A 2/2012  
CN 103653987 A 3/2014

(Continued)

(72) Inventors: **Paul Chapuis**, Woodside, CA (US);  
**Steven D. Penny**, Oakland, CA (US)

OTHER PUBLICATIONS

(73) Assignee: **JUNE20, INC.**, Hayward, CA (US)

Design U.S. Appl. No. 29/647,762, filed May 15, 2018.

(\*\*) Term: **15 Years**

(Continued)

(21) Appl. No.: **29/639,666**

*Primary Examiner* — Cynthia R Underwood

(22) Filed: **Mar. 7, 2018**

(74) *Attorney, Agent, or Firm* — Vierra Magen Marcus LLP

**Related U.S. Application Data**

(57) **CLAIM**

(62) Division of application No. 14/743,147, filed on Jun. 18, 2015.

The ornamental design of a tablet computer enclosure with handles, as shown and described.

(51) **LOC (11) Cl.** ..... **14-02**

(52) **U.S. Cl.**  
USPC ..... **D14/440**

**DESCRIPTION**

(58) **Field of Classification Search**  
USPC ..... D14/440; 206/45.23, 320, 45.2;  
361/679.55; 294/25; 224/218  
CPC ... G06F 1/1628; G06F 1/1626; A47B 23/044;  
H04B 1/3888; H05K 5/0217  
See application file for complete search history.

FIG. 1 is a front perspective view of a tablet computer enclosure with handles.  
FIG. 2 is a rear perspective view of the tablet computer enclosure with handles.  
FIG. 3 is a front elevation view the tablet computer enclosure with handles.  
FIG. 4 is a rear elevation view the tablet computer enclosure with handles.  
FIG. 5 is a right side view of the tablet computer enclosure with handles. A left side view of the tablet computer enclosure with handles is a mirror image of FIG. 5; and, FIG. 6 is a top view of the tablet computer enclosure with handles. A bottom view of the tablet computer enclosure with handles is a mirror image of FIG. 6.  
In FIGS. 1 and 3 of the drawings, the broken lines represent unclaimed portions of the claimed design and form no part of the claimed design.

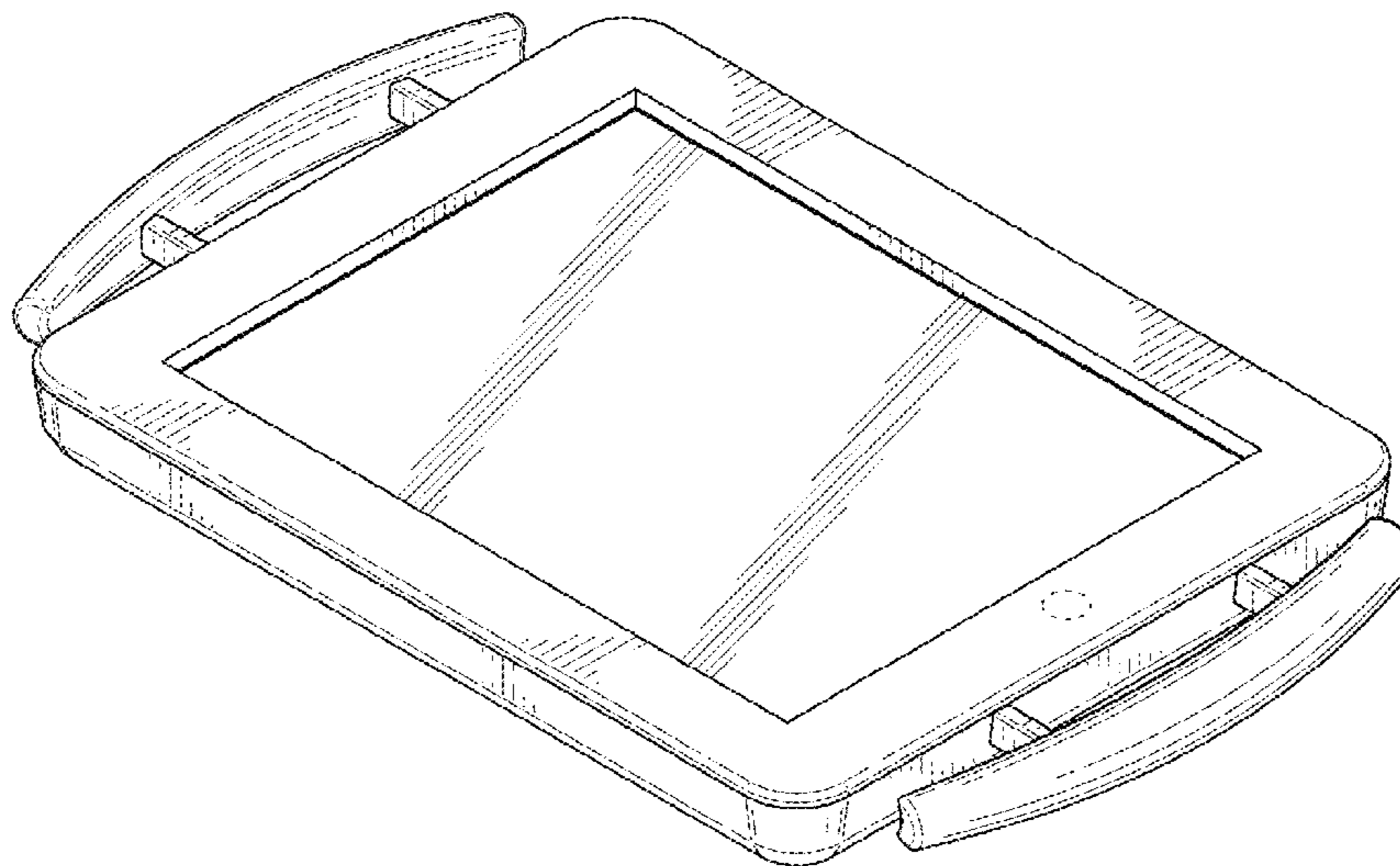
(56) **References Cited**

U.S. PATENT DOCUMENTS

D451,305 S 12/2001 Chang et al.  
6,726,070 B2 \* 4/2004 Lautner ..... A44C 5/0007  
224/221  
D492,303 S \* 6/2004 Schlieffers ..... D14/341  
D591,083 S 4/2009 Singler et al.  
D591,801 S \* 5/2009 Mak ..... D21/469  
D591,979 S 5/2009 Singler et al.  
D594,004 S \* 6/2009 Takemasa ..... D14/341  
D611,467 S \* 3/2010 Gou ..... D14/315

(Continued)

**1 Claim, 3 Drawing Sheets**



(56)

References Cited

U.S. PATENT DOCUMENTS

D613,285 S \* 4/2010 Grant ..... D14/341  
 7,701,339 B2 4/2010 Irmischer et al.  
 D626,123 S \* 10/2010 Peng ..... D14/324  
 D643,234 S 8/2011 Daino  
 D645,282 S 9/2011 Daino  
 D676,449 S \* 2/2013 Probst et al. .... D14/440  
 8,401,915 B1 3/2013 Kim  
 D685,376 S \* 7/2013 Kim ..... D14/439  
 D689,056 S \* 9/2013 Li ..... D14/440  
 D690,704 S \* 10/2013 Padilla ..... D14/440  
 D691,144 S \* 10/2013 Peters ..... D14/440  
 D691,146 S \* 10/2013 Perez ..... D14/440  
 D694,246 S \* 11/2013 Park ..... D14/440  
 D703,672 S \* 4/2014 Kim ..... D14/440  
 8,690,210 B1 \* 4/2014 May ..... A45F 5/00  
 224/217  
 8,752,718 B2 6/2014 Stukenberg et al.  
 D712,412 S \* 9/2014 Bleau ..... D14/440  
 D713,658 S 9/2014 Tio et al.  
 D721,075 S \* 1/2015 Toda ..... D14/342  
 D721,376 S \* 1/2015 Lee ..... D14/440  
 D725,659 S \* 3/2015 Tussy ..... D14/440  
 D727,666 S 4/2015 Wagemans et al.  
 D727,917 S \* 4/2015 Yeo ..... D14/440  
 D733,154 S \* 6/2015 Armstrong ..... D14/440  
 D734,965 S 7/2015 Tio et al.  
 D736,020 S 8/2015 Martell et al.  
 D741,091 S 10/2015 Tio et al.  
 D741,335 S \* 10/2015 Bastian ..... D14/440  
 D747,321 S \* 1/2016 London ..... D14/440  
 D749,592 S \* 2/2016 Huang ..... D14/440  
 D752,052 S \* 3/2016 Park ..... D14/440  
 D754,666 S \* 4/2016 Tiffen ..... D14/440  
 D758,773 S 6/2016 Kim et al.  
 9,395,037 B2 7/2016 Ballhatchet  
 D763,853 S \* 8/2016 Pearce ..... D14/440  
 D765,085 S \* 8/2016 Moore ..... D14/440  
 9,407,743 B1 \* 8/2016 Hirshberg ..... H04M 1/04  
 D766,249 S \* 9/2016 Veltz ..... D14/440  
 D769,651 S 10/2016 Tio et al.  
 D770,203 S 11/2016 Thaler et al.  
 D771,030 S \* 11/2016 Tussy ..... D14/250  
 D784,350 S \* 4/2017 Li ..... D14/440  
 D787,239 S 5/2017 Denby et al.  
 D790,261 S 6/2017 Rogers  
 9,687,090 B2 6/2017 Ireland et al.  
 D794,007 S \* 8/2017 Zhang ..... D14/250  
 D794,625 S \* 8/2017 Armstrong ..... D14/250  
 D796,234 S 9/2017 Thaler et al.  
 D797,106 S \* 9/2017 Paolizzi ..... D14/426  
 D803,222 S \* 11/2017 Cheng ..... D14/440  
 D806,083 S \* 12/2017 Armstrong ..... D14/440  
 D807,086 S 1/2018 Tio et al.  
 D807,366 S \* 1/2018 Chen ..... D14/440  
 D812,946 S 3/2018 Chang et al.  
 D815,864 S 4/2018 Burton et al.  
 D817,316 S \* 5/2018 Srouf ..... D14/251  
 D821,405 S \* 6/2018 Chen ..... D14/440  
 2004/0226973 A1 \* 11/2004 Kao ..... F16M 11/041  
 224/218  
 2007/0215512 A1 \* 9/2007 Bellissimo ..... A47G 23/0625  
 206/557  
 2009/0109130 A1 4/2009 Murphy et al.

2009/0219677 A1 \* 9/2009 Mori ..... A45F 3/14  
 361/679.03  
 2011/0187531 A1 8/2011 Oehl et al.  
 2011/0267748 A1 \* 11/2011 Lane ..... A45F 5/00  
 361/679.01  
 2011/0309117 A1 \* 12/2011 Roberts ..... A45F 5/00  
 224/217  
 2012/0005222 A1 1/2012 Bhagwan et al.  
 2012/0091312 A1 \* 4/2012 Baker ..... F16M 13/00  
 248/682  
 2012/0232937 A1 9/2012 Calman et al.  
 2013/0117153 A1 5/2013 Shen  
 2014/0054910 A1 \* 2/2014 Kim ..... H04B 1/385  
 294/158  
 2014/0152034 A1 \* 6/2014 Tussy ..... F16M 13/04  
 294/142  
 2014/0310056 A1 10/2014 Alapati et al.  
 2015/0009610 A1 \* 1/2015 London ..... G06F 1/163  
 361/679.03  
 2015/0068934 A1 \* 3/2015 Armstrong ..... A45C 11/00  
 206/320  
 2015/0201743 A1 \* 7/2015 Erickson-Davis ..... A45F 5/00  
 224/218  
 2015/0371321 A1 12/2015 Chapuis  
 2017/0045920 A1 \* 2/2017 Armstrong ..... G06F 1/1669

FOREIGN PATENT DOCUMENTS

CN 204599980 U 9/2015  
 CN 304176357 S 6/2017  
 FR 992836-004 8/1999  
 JP 2005204815 A 8/2005  
 KR 10-20130023520 A 3/2013  
 RO 016582-0001 3/2006  
 RU 59706 7/2006  
 WO D082444-002 4/2014

OTHER PUBLICATIONS

Design U.S. Appl. No. 29/647,768, filed May 15, 2018.  
 Office Action dated May 23, 2018 in U.S. Appl. No. 29/639,664, filed Mar. 7, 2018.  
 Design U.S. Appl. No. 29/639,664, filed Mar. 7, 2018.  
 Design U.S. Appl. No. 29/641,209, filed Mar. 20, 2018.  
 Design U.S. Appl. No. 29/639,665, filed Mar. 7, 2018.  
 Design U.S. Appl. No. 29/641,252, filed Mar. 20, 2018.  
 Design U.S. Appl. No. 29/641,234, filed Mar. 20, 2018.  
 Design U.S. Appl. No. 29/640,276, filed Mar. 13, 2018.  
 Versa Products, Inc., "Versa Center", <https://www.versatables.com/education/versa-center/>, retrieved May 30, 2018.  
 Gartner, "Sliding Monitors", <https://web.archive.org/web/20130607163354/http://www.michaelgartner.com/>, dated by web.archive.org at Jun. 7, 2013, pp. 1-5) Accessed Nov. 21, 2017 (Year: 2013).  
 JUNE20, Inc., Test Display at Sam's Club, May 2016, Arkansas, US.  
 JUNE20, Inc., Test Display at Staples, Dec. 2015, Canada.  
 Mike Quinn, LinkedIn.com page, image of post "LM76 Whipser Slide Technology" WSP2 retrieved from Feb. 2, 2018.

\* cited by examiner

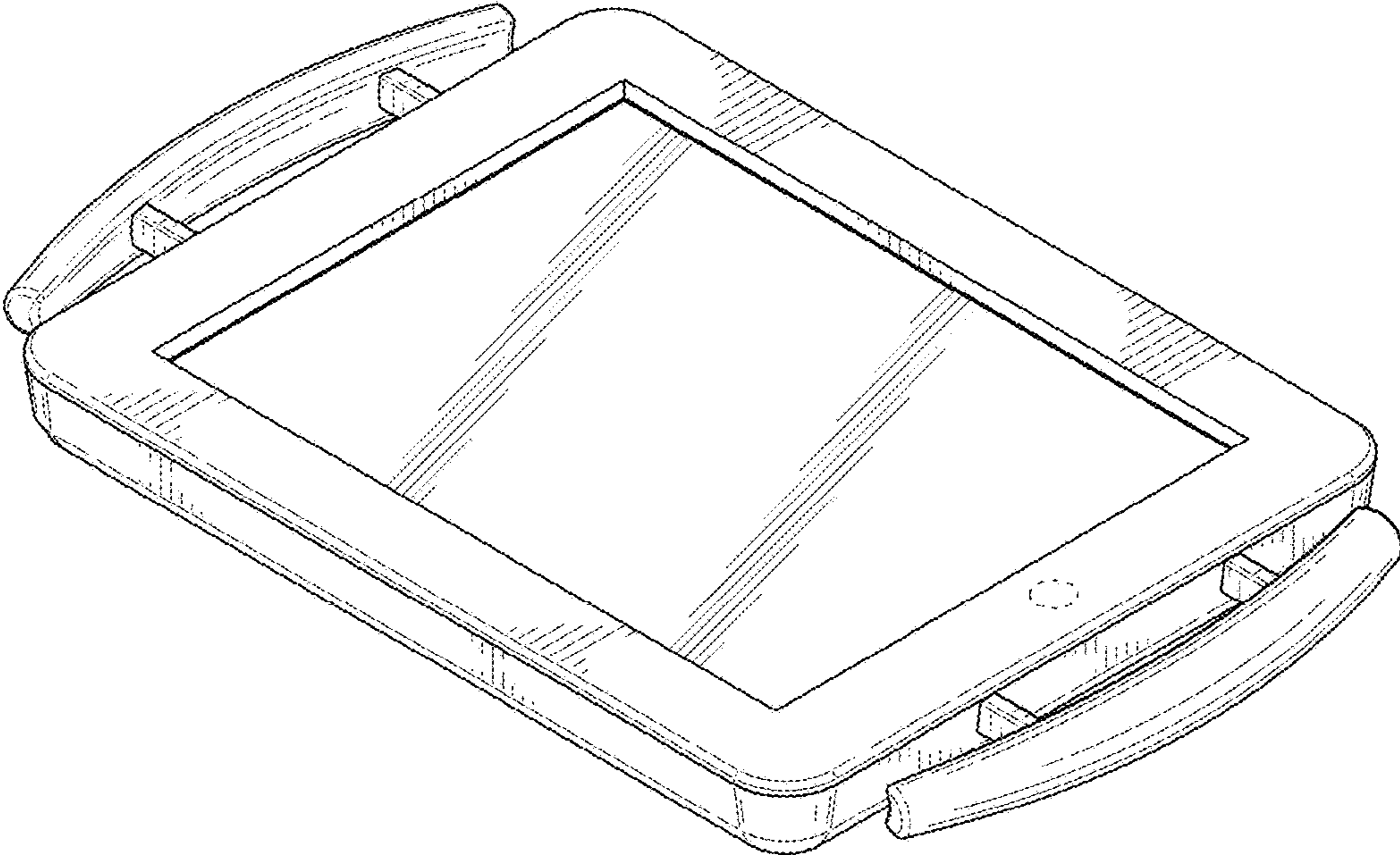


FIG. 1

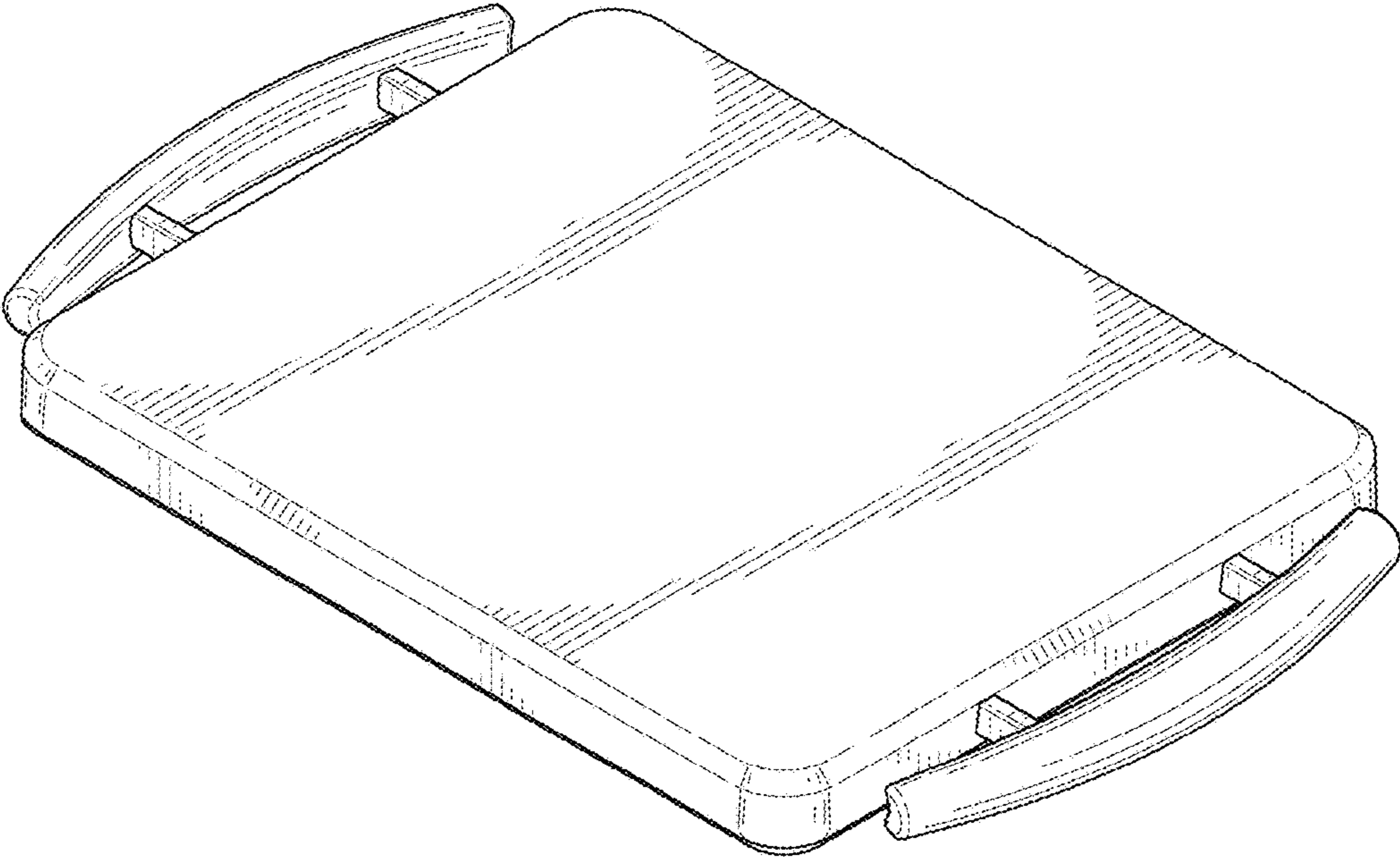


FIG. 2

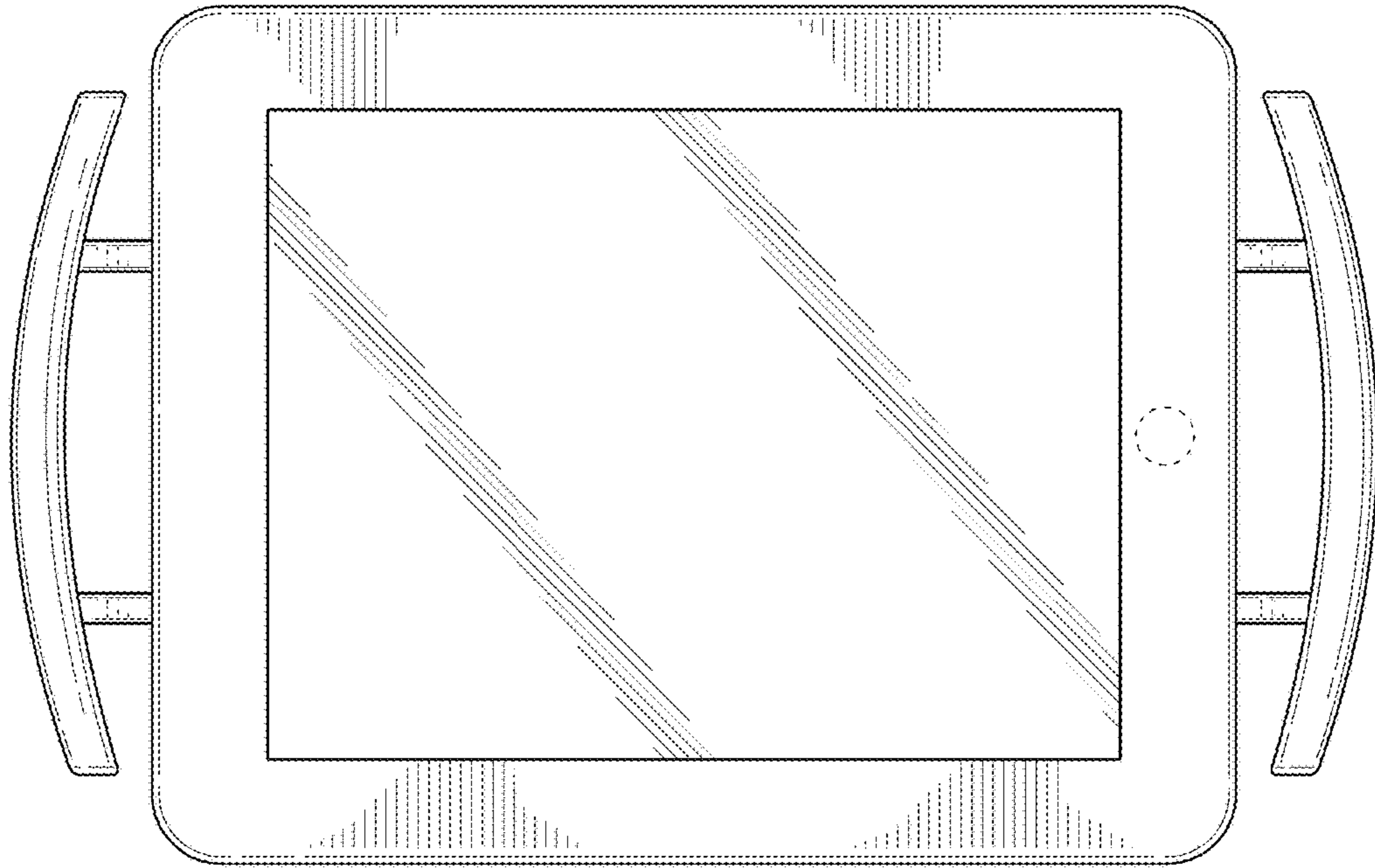


FIG. 3

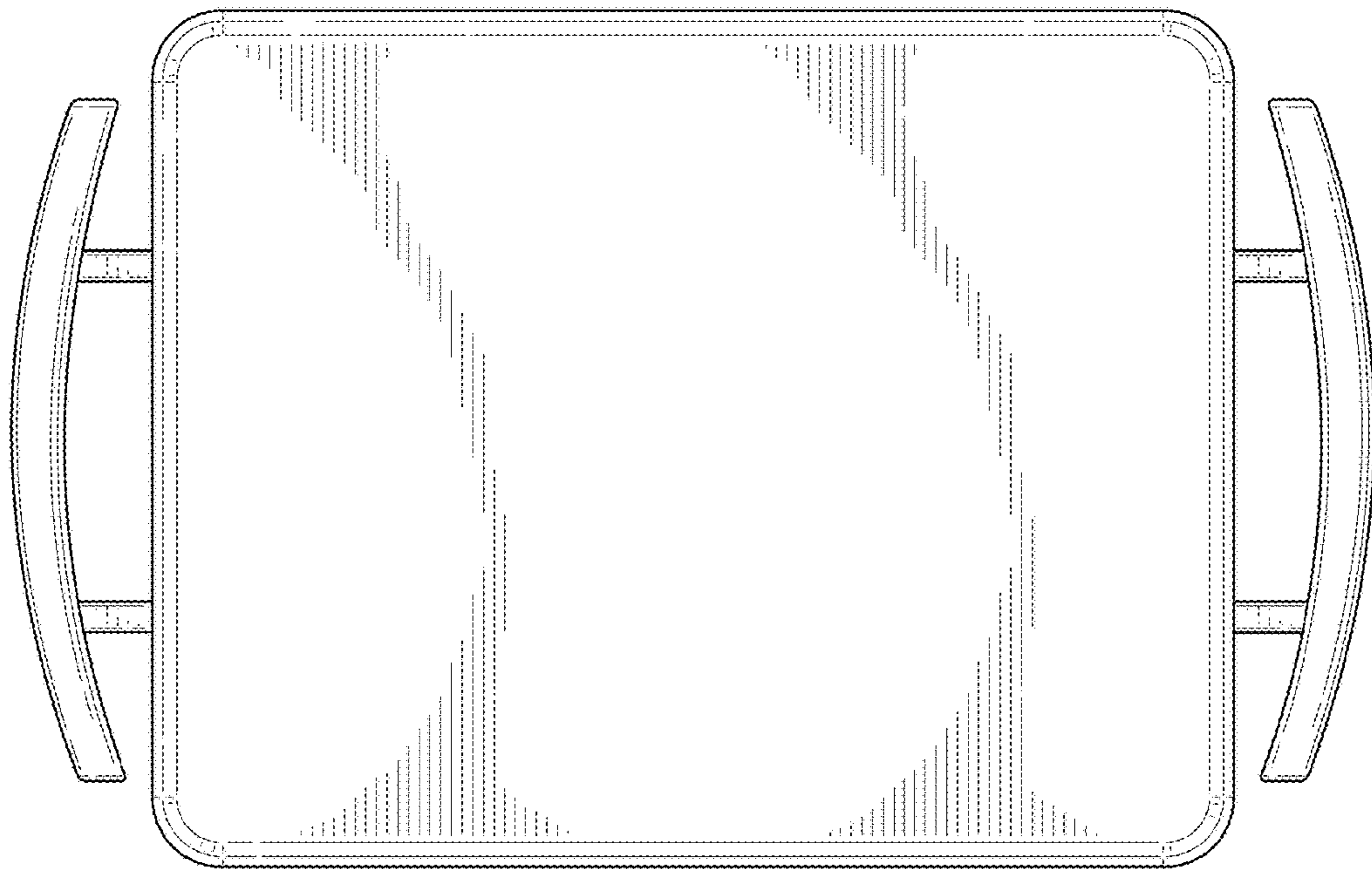
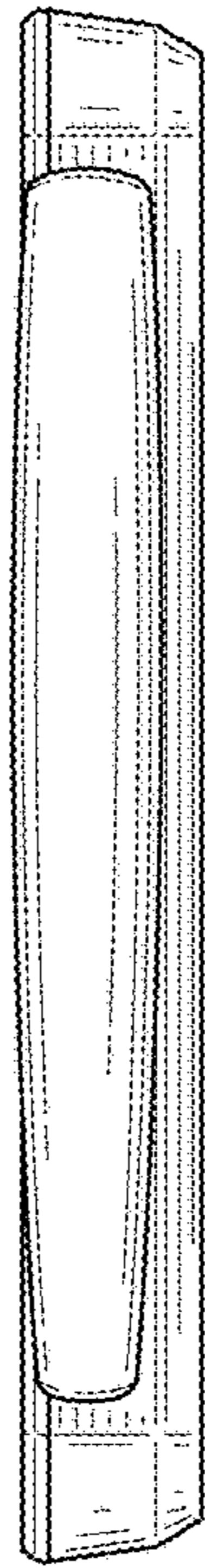


FIG. 4



**FIG. 5**



**FIG. 6**