



US00D834024S

(12) **United States Design Patent**  
**Beaupre et al.**

(10) **Patent No.:** **US D834,024 S**

(45) **Date of Patent:** **\*\* Nov. 20, 2018**

- (54) **OVERLAY**
- (71) Applicant: **Belkin International, Inc.**, Playa Vista, CA (US)
- (72) Inventors: **Eric Beaupre**, Los Angeles, CA (US); **John F. Wadsworth**, Burbank, CA (US); **Yuhua Lin**, Changzhou (CN)
- (73) Assignee: **BELKIN INTERNATIONAL, INC.**, Playa Vista, CA (US)
- (\*\*) Term: **15 Years**
- (21) Appl. No.: **29/616,504**
- (22) Filed: **Sep. 6, 2017**

**Related U.S. Application Data**

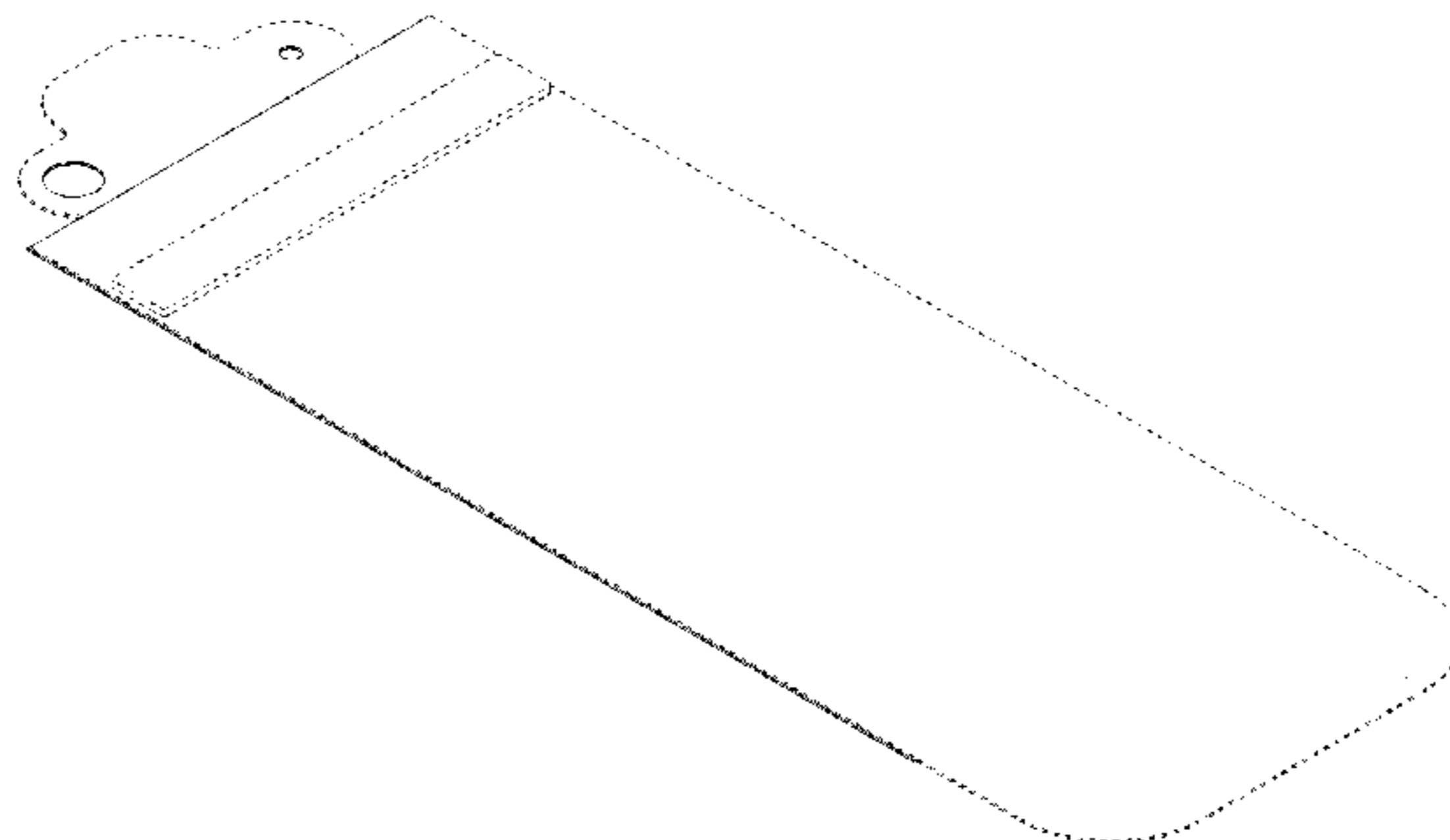
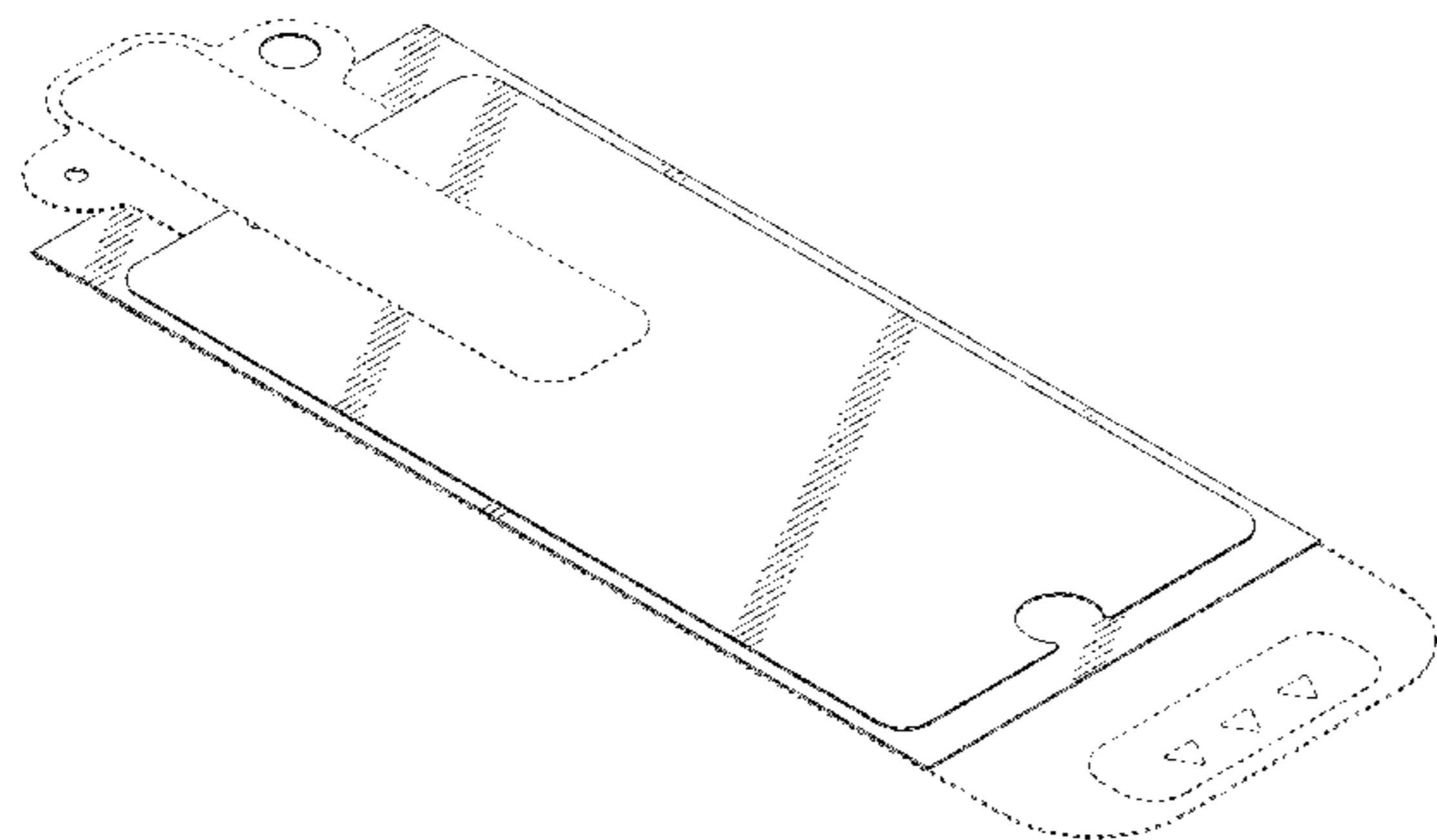
- (62) Division of application No. 29/566,353, filed on May 27, 2016, now Pat. No. Des. 800,130.
- (51) **LOC (11) Cl.** ..... **14-02**
- (52) **U.S. Cl.**  
USPC ..... **D14/432**
- (58) **Field of Classification Search**  
USPC ..... D14/316-319, 432-439, 442, 451-454, D14/496, 495, 391, 385, 367, 356; D8/331, 330; D18/50, 4.6, 4.5; 439/630, 439/635, 639, 160; 360/2; 235/492, 486, 235/479, 380  
CPC ..... G06F 1/1643; G06F 1/169; H04B 1/3888  
See application file for complete search history.

- D598,024 S 8/2009 Scott et al.
- D601,959 S 10/2009 Lee
- D601,960 S 10/2009 Dai
- 7,697,827 B2 4/2010 Konicek
- D627,826 S 11/2010 Halimi
- 7,957,524 B2 6/2011 Chipping
- 7,966,861 B2 6/2011 Yee et al.
- D641,210 S 7/2011 Hamilton
- 8,044,942 B1 10/2011 Leonhard et al.
- 8,047,365 B1 11/2011 Lin
- D651,214 S 12/2011 Yoo et al.
- D651,791 S 1/2012 Cataldo et al.
- D658,164 S 4/2012 Chan
- D665,809 S 8/2012 Wang et al.
- 8,369,072 B1 2/2013 Alonzo et al.
- 8,393,377 B2 3/2013 Patel et al.
- D679,753 S 4/2013 Sato et al.
- D680,166 S 4/2013 Sato et al.
- 8,517,367 B1 8/2013 Napier
- D690,704 S 10/2013 Padilla et al.
- 8,564,538 B2 10/2013 Wadsworth
- D694,240 S 11/2013 Cho
- 8,640,759 B2 2/2014 Chen
- 8,675,353 B1 3/2014 Alonzo et al.
- D707,217 S 6/2014 Toulotte
- D710,843 S 8/2014 Akana
- D713,397 S 9/2014 Du et al.
- D714,053 S 9/2014 Yoo
- 8,821,659 B2 9/2014 Ng et al.
- D715,301 S 10/2014 Ashcraft et al.
- D715,784 S 10/2014 Lin et al.
- D720,353 S 12/2014 Nakamura
- D721,359 S 1/2015 Kim
- 8,931,770 B1 1/2015 Kaminski
- 9,001,502 B1 4/2015 Cowan
- 9,010,396 B2 4/2015 Patel et al.
- D729,235 S 5/2015 Nagao et al.
- D734,311 S 7/2015 Takamoto et al.
- 9,089,085 B2 7/2015 Patel
- 9,159,260 B2 10/2015 Oh
- D743,402 S 11/2015 Ehara et al.
- D746,265 S 12/2015 Colby et al.
- D747,320 S 1/2016 Snyder et al.
- D751,556 S 3/2016 Conley et al.
- D751,557 S 3/2016 Lane
- D759,640 S 6/2016 Wadsworth
- D767,550 S 9/2016 Beaupre et al.
- D769,857 S 10/2016 Shin et al.
- D772,199 S 11/2016 Igarashi
- D773,927 S 12/2016 Cernokus et al.
- D776,123 S 1/2017 Akana et al.
- D777,714 S 1/2017 Akana et al.
- D778,869 S 2/2017 Kim et al.

(56) **References Cited**

**U.S. PATENT DOCUMENTS**

- 4,285,559 A 8/1981 Koch
- D305,648 S 1/1990 Edington
- 4,895,231 A 1/1990 Yamaguchi et al.
- 5,069,732 A 12/1991 Levine
- 5,680,709 A 10/1997 Stone
- 5,805,251 A 9/1998 Ozawa
- 6,406,758 B1 6/2002 Bottari et al.
- 7,084,859 B1 8/2006 Pryor
- D578,164 S 10/2008 Ingle





KR	300704460	8/2013
KR	1020130092713	8/2013
KR	1020130092804	8/2013
KR	300720375	12/2013
KR	300720376	12/2013
KR	101408663	6/2014
KR	1020140070046	6/2014
KR	1020140076245	6/2014
KR	101468710	12/2014
KR	200475419	12/2014
KR	200475420	12/2014
KR	1020140136596	12/2014
KR	1020140142904	12/2014
KR	1020140143262	12/2014
KR	1020150006910	1/2015
KR	200476916	4/2015
KR	1020150039292	4/2015
KR	2020150001663	5/2015
KR	300804459	7/2015
KR	1020160022665	3/2016
KR	1020160022755	3/2016
KR	1020160061078	5/2016
KR	1020160088067	7/2016
KR	1020160091491	8/2016
KR	2020170000128	1/2017
TW	1401223	7/2013
WO	2003093879	11/2003
WO	2004005141	1/2004
WO	2005058705	6/2005
WO	WO2011065796	6/2011
WO	2011163151	12/2011
WO	2012074802	6/2012
WO	2012141505	10/2012

## OTHER PUBLICATIONS

Translation of KR-10-1135144, retrieved from the Internet on Jun. 9, 2017.

International Search Report and Written Opinion for PCT/US2014/050420 dated Nov. 19, 2014.

International Search Report and Written Opinion for PCT/US2014/060300 dated Jan. 27, 2015.

International Search Report and Written Opinion for PCT/US2014/071767 dated Apr. 24, 2015.

Amzer—Kristal Screen Protectors <http://www.amzer.com/kristal/>, Mar. 21, 2014.

MyScreenPROTECTOR—<https://www.myscreenprotector.com/?Ing=3&view=cms&txt=about-my-screen-protector>, Mar. 21, 2014.

PureGear—PureTek Roll-On—<http://www.pure-gear.com/shop-by-category/screen/puretek-roll-on-kit-antibacterial-antiglare-anti-fingerprint.html>, Mar. 21, 2014.

Tylt Alin Perfect Alignment Screen Protection—<http://www.tylt.com/alin/>, Mar. 21, 2014.

Zagg Introduces invisibleSHIELD on Demand and invisible Shield Glass at CES 2 <http://investors.zagg.com/releasedetail.cfm?ReleaseID=817526>, Mar. 21, 2014.

International Search Report for Application No. PCT/US 09/61553, dated Dec. 17, 2009.

Protrusion on “F” key of computer keyboard; 1 page; picture taken Oct. 20, 2008.

Protrusion on “5” key of telephone; 1 page; picture taken Oct. 20, 2008.

Systech Displays, Inc.; Home page; <http://www.systechdisplays.com/>; Oct. 21, 2008; 2 pages.

Belkin Ez Frame Iris Anti-glare Film, posted at ebay.com, posting date Jul. 26, 2017, Copyright (C) 1995-2017 eBay Inc., [online], [site visited Mar. 20, 2017]. Available from Internet, <URL:

<http://www.ebay.com/itm/BelkinEzFrameIrisAntiglareFilmwithEasyInstallFrameforIphone55S/171728155795>>.

Belkin InvisiGlass Ultra Screen Protection for iPhone 7, posted at apple.com, posting date not given, Copyright (C) 2017 Apple Inc., [online], [site visited Mar. 20, 2017]. Available from Internet, <URL: <http://www.apple.com/shop/product/HKF2ZM/B/belkininvisiultrascreenprotectionforiphone7>>.

Belkin ScreenForce Transparent Screen Protector, posted at belkin.com, (C) 2017 Belkin International, Inc., [online], [site visited Mar. 20, 2017]. Available from Internet, <URL: <http://www.belkin.com/us/F8W526-3/p/P-F8W526-3/>>.

International Search Report and Written Opinion for PCT/US2017/051882, dated Nov. 29, 2017.

\* cited by examiner

*Primary Examiner* — Austin Murphy  
(74) *Attorney, Agent, or Firm* — Bryan Cave Leighton Paisner LLP

(57) **CLAIM**

We claim the ornamental design for the overlay, substantially as shown and described.

**DESCRIPTION**

FIG. 1 is a top perspective view of an overlay, according to a first embodiment;

FIG. 2 is a bottom perspective view of the overlay, according to the first embodiment;

FIG. 3 is a top plan view of the overlay, according to the first embodiment;

FIG. 4 is a bottom plan view of the overlay, according to the first embodiment;

FIG. 5 is a side elevational view of the overlay, according to the first embodiment, where the opposite side elevational view is a mirror image thereof;

FIG. 6 is an enlarged side elevational view of a portion of the overlay, as identified in FIG. 5, according to the first embodiment;

FIG. 7 is a top perspective view of an overlay, according to a second embodiment;

FIG. 8 is a bottom perspective view of the overlay, according to the second embodiment;

FIG. 9 is a top plan view of the overlay, according to the second embodiment;

FIG. 10 is a bottom plan view of the overlay, according to the second embodiment;

FIG. 11 is a side elevational view of the overlay, according to the second embodiment, where the opposite side elevational view is a mirror image thereof; and,

FIG. 12 is an enlarged side elevational view of a portion of the overlay, as identified in FIG. 11, according to the second embodiment.

The evenly dashed broken lines of the various embodiments of the overlay are directed to environment and are for illustrative purposes only; the evenly dashed broken lines form no part of the claimed design.

**1 Claim, 6 Drawing Sheets**

FIG. 1

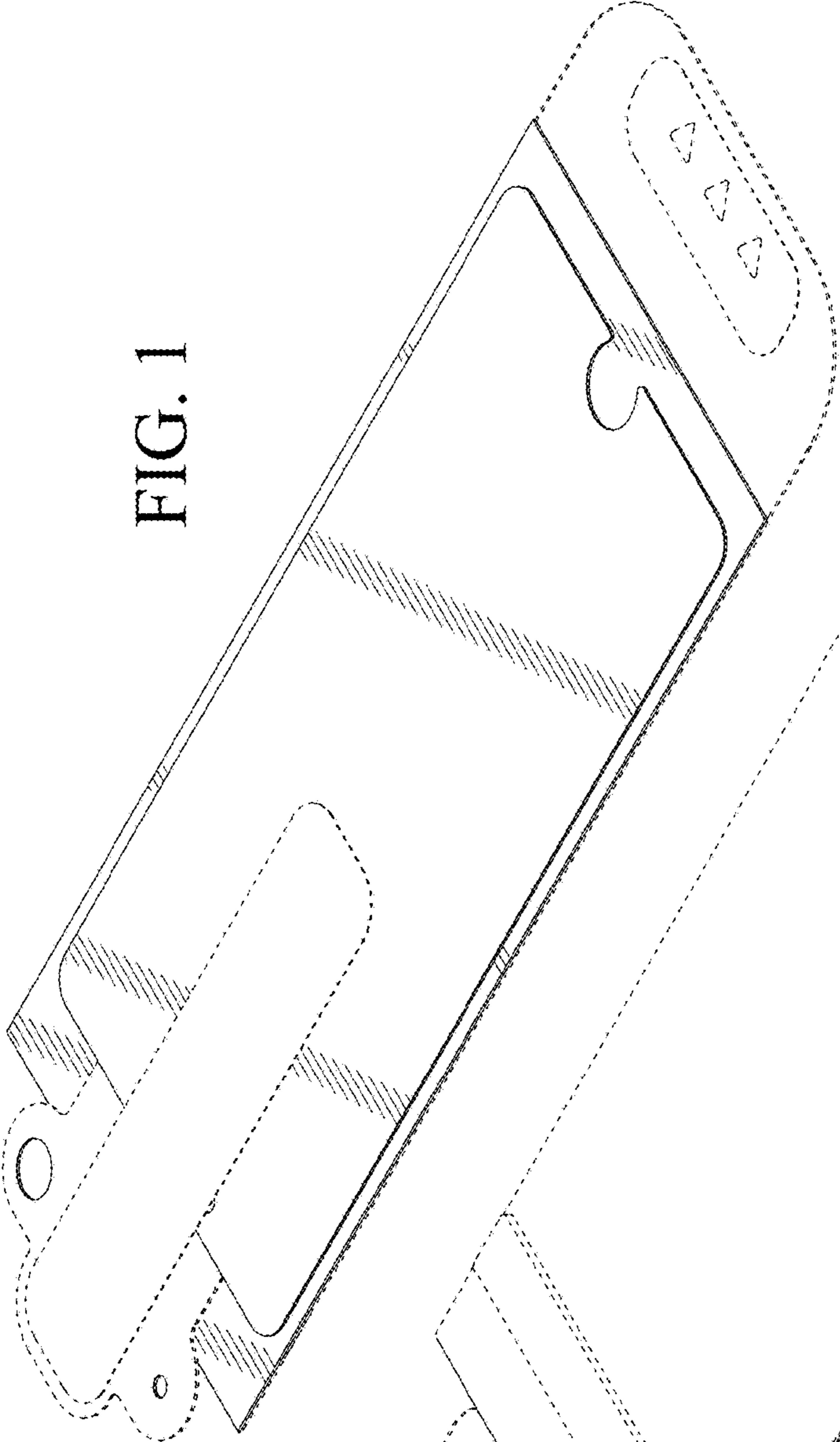
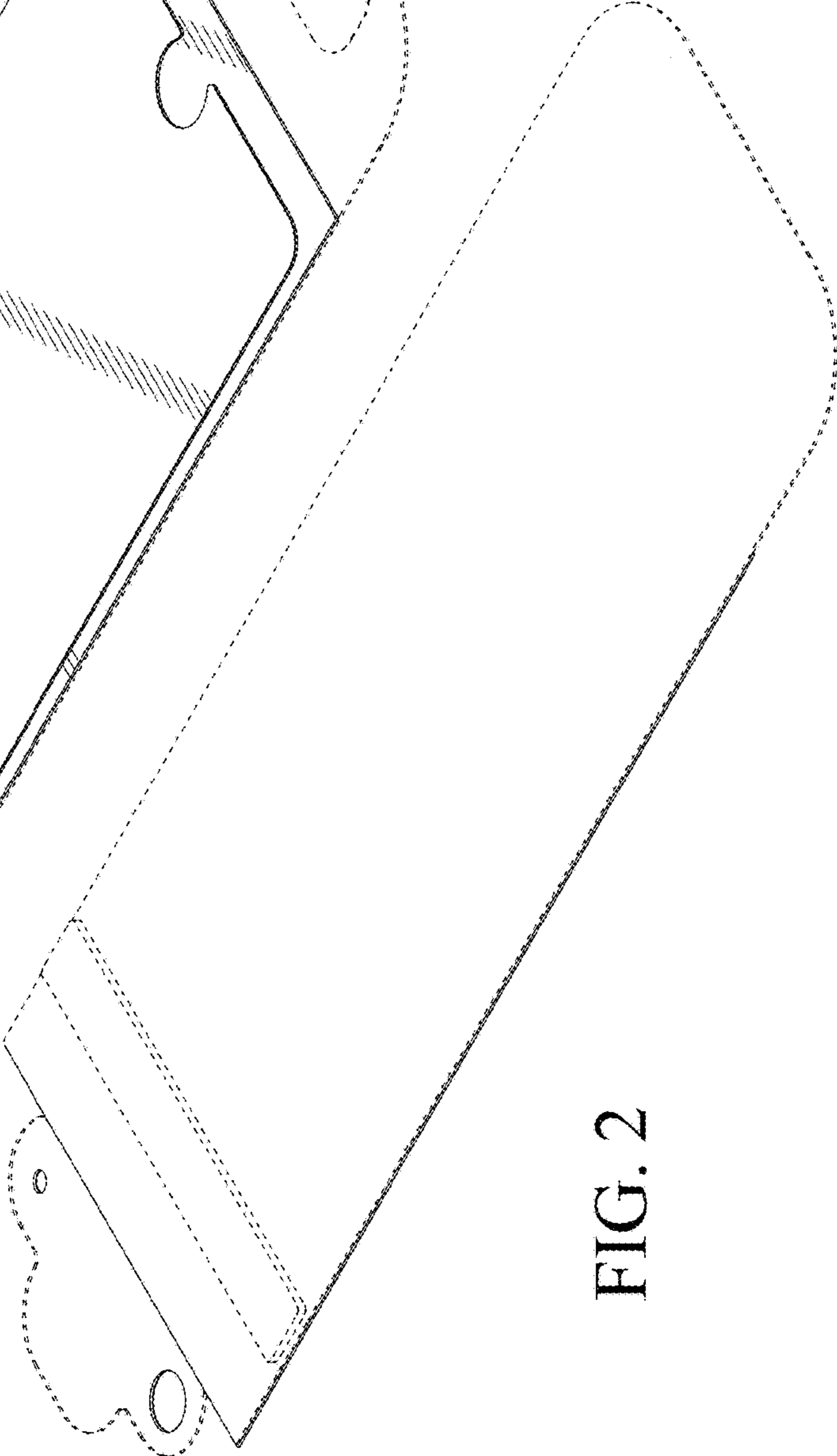


FIG. 2



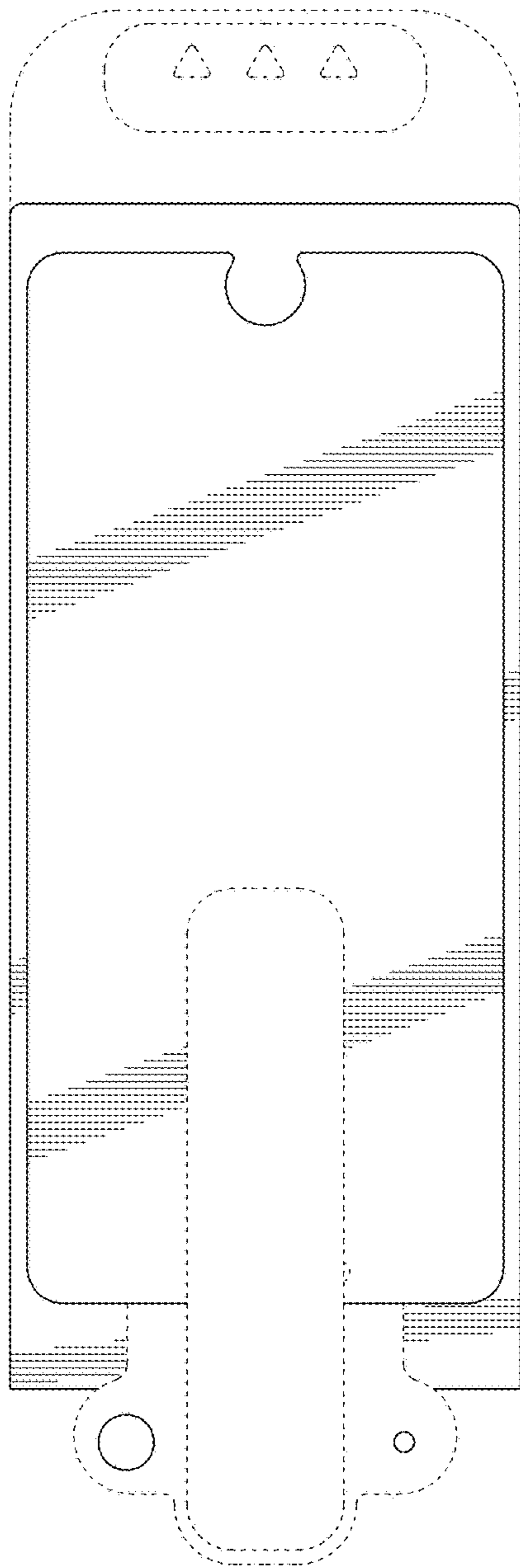


FIG. 3



FIG. 4

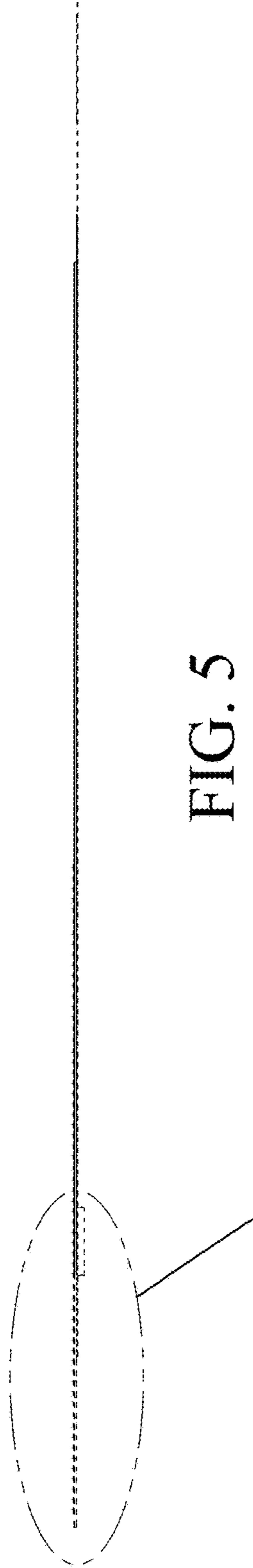


FIG. 5

FIG. 6

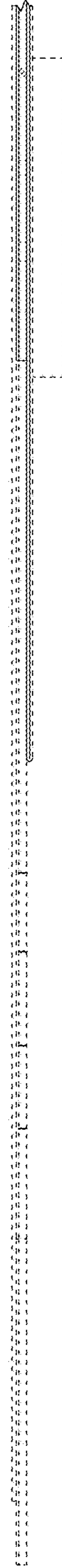
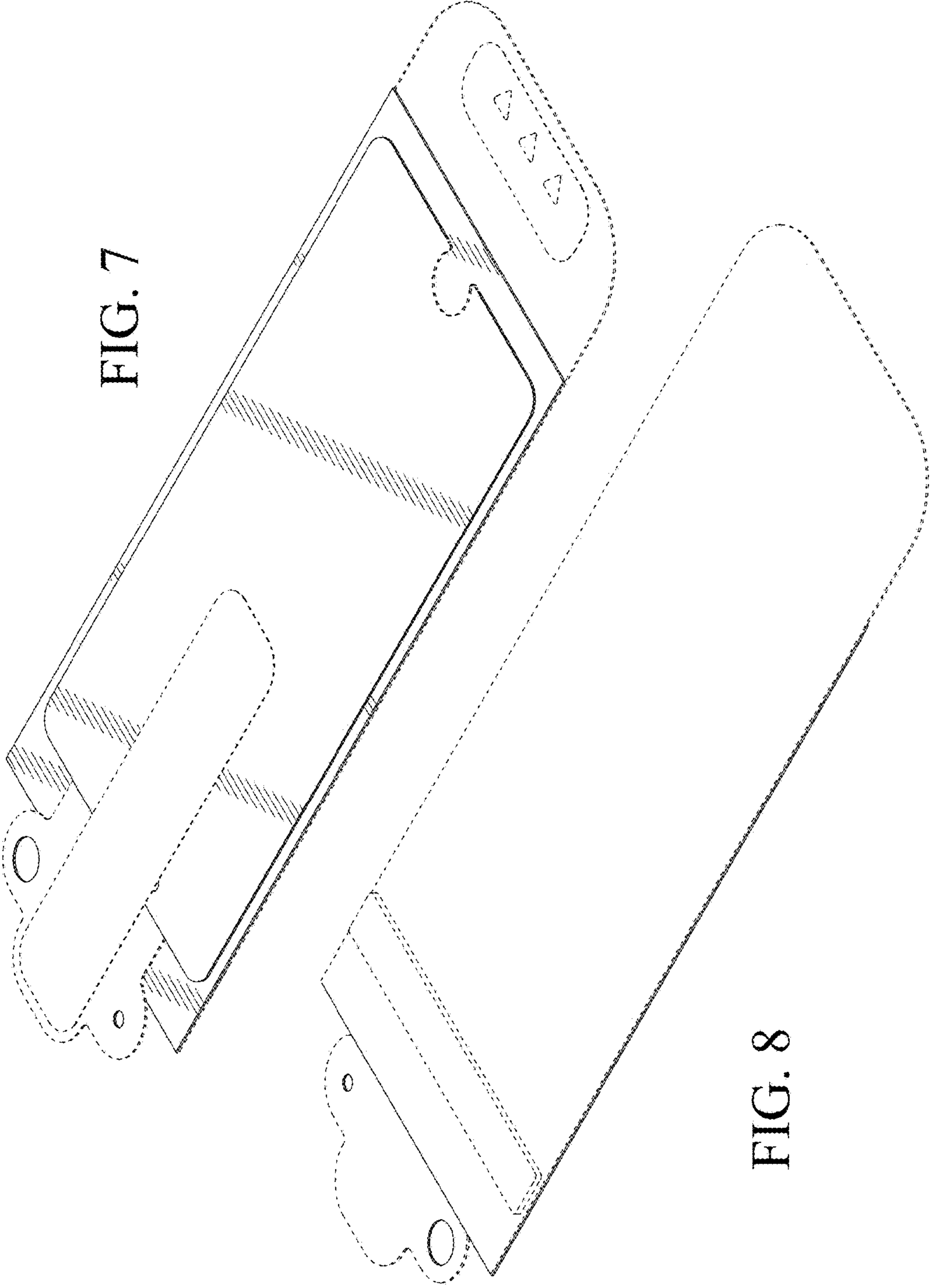


FIG. 6



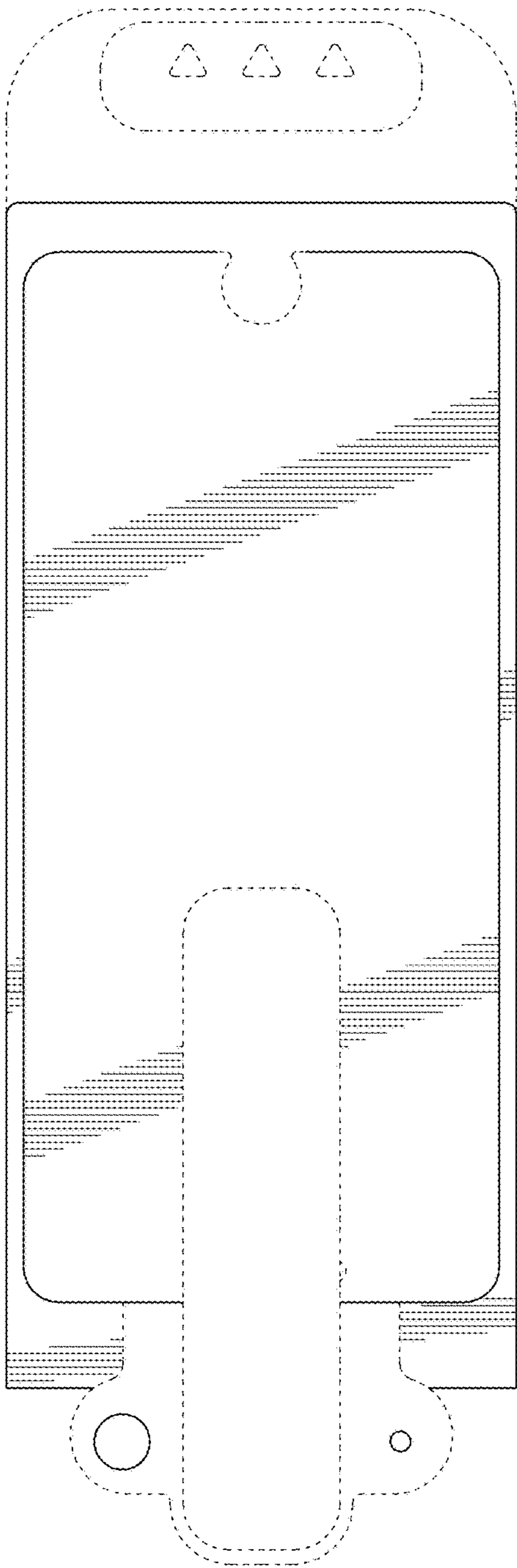


FIG. 9



FIG. 10



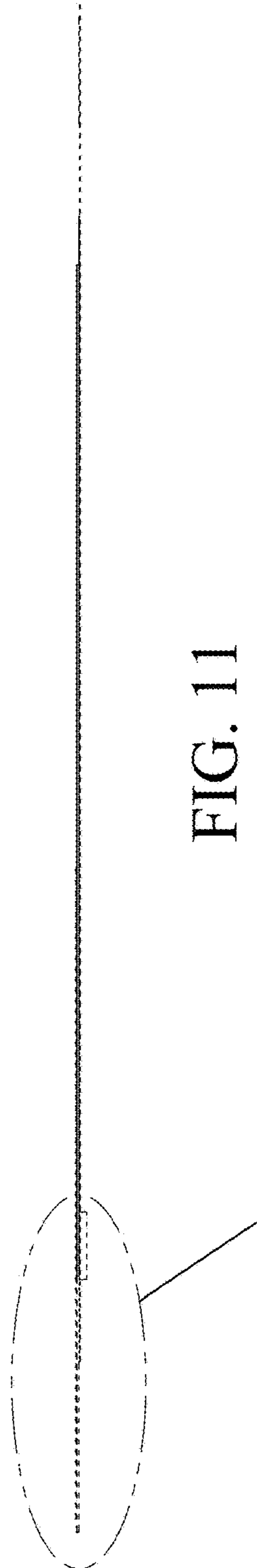


FIG. 11

FIG. 12

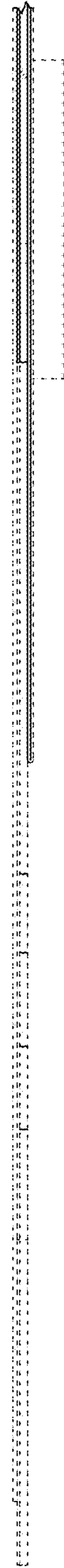


FIG. 12