



US00D834020S

(12) **United States Design Patent**
Pascucci

(10) **Patent No.:** **US D834,020 S**

(45) **Date of Patent:** **** Nov. 20, 2018**

(54) **COMPUTER INPUT DEVICE**

(71) Applicant: **Société Civile “GALILEO 2011”**,
Monaco (MC)

(72) Inventor: **Antonio Pascucci**, Seefeld (DE)

(73) Assignee: **SOCIÉTÉ CIVILE “GALILEO 2011”**, Monaco (MC)

(**) Term: **15 Years**

(21) Appl. No.: **29/575,119**

(22) Filed: **Aug. 22, 2016**

(30) **Foreign Application Priority Data**

Feb. 24, 2016 (EM) 003000157-0001

(51) **LOC (11) Cl.** **14-02**

(52) **U.S. Cl.**
USPC **D14/399**; D14/413; D14/455

(58) **Field of Classification Search**
USPC D14/388, 391, 397, 398, 399, 217, 218,
D14/454, 299, 496, 400, 401, 402, 406,
D14/410, 412, 413, 417, 455; D21/333;
D13/162, 164, 168; D16/237; D12/174
CPC A63F 13/24; A63F 13/213; A63F 13/214;
A63F 13/00; A63F 13/212; A63F 13/20;
G06F 3/012; G06F 3/014; G06F 3/016;
G06F 3/017; G06F 3/02; G06F 3/033;
G06F 3/0338; G06F 3/0346; G06F
3/03543; G06F 3/0362; G06F 3/038;
G06F 3/0383; G05G 9/047
See application file for complete search history.

(56) **References Cited**

U.S. PATENT DOCUMENTS

D258,954 S * 4/1981 Leon D14/413
D290,719 S * 7/1987 Holloway D14/413
D301,234 S * 5/1989 Boyer D14/413
D322,605 S * 12/1991 Hayes D14/417
D328,458 S * 8/1992 Barry D14/417

D332,093 S * 12/1992 Yang D14/417
D358,143 S * 5/1995 Gombert D14/410
D384,047 S * 9/1997 Edwards D14/417
D385,854 S * 11/1997 Sumii D14/399
D398,912 S * 9/1998 Phillips D14/399
D426,818 S * 6/2000 Sanders D14/399
D441,760 S * 5/2001 Hibino D14/415

(Continued)

FOREIGN PATENT DOCUMENTS

EP 1586970 A1 * 10/2005 G06F 3/0338

OTHER PUBLICATIONS

3DCONNEXION Spacemouse Enterprise Available Now.
designandmotion.net.[online] 10 pgs. Posted Apr. 25, 2016 [Retrieved
on Nov. 28, 2017] [https://designandmotion.net/hardware/3dconnexion-
spacemouse-enterprise-release/](https://designandmotion.net/hardware/3dconnexion-spacemouse-enterprise-release/).*

Primary Examiner — Susan Bennett Hattan

Assistant Examiner — Marie D. Fast Horse

(74) *Attorney, Agent, or Firm* — Christensen O’Connor
Johnson Kindness PLLC

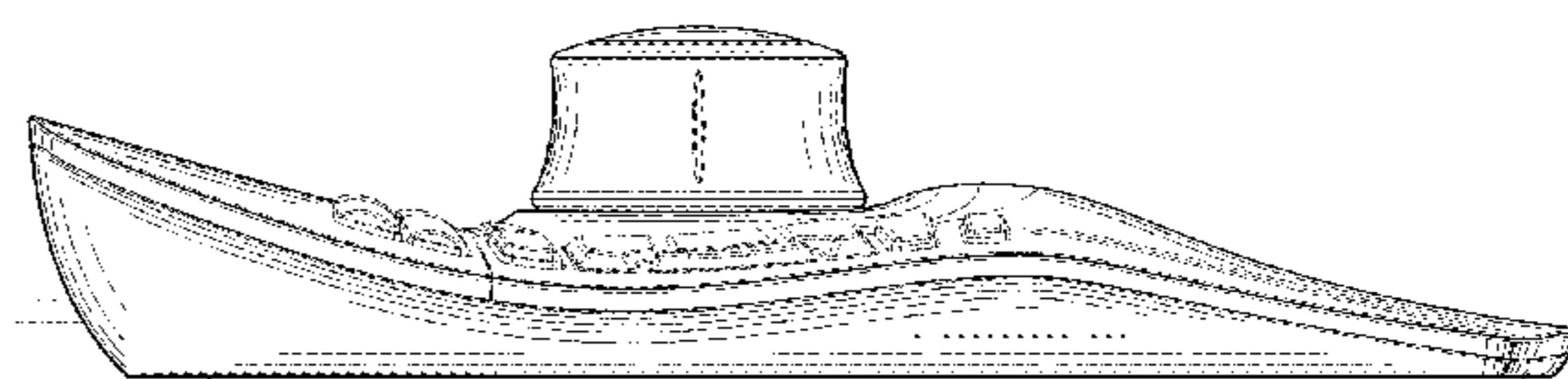
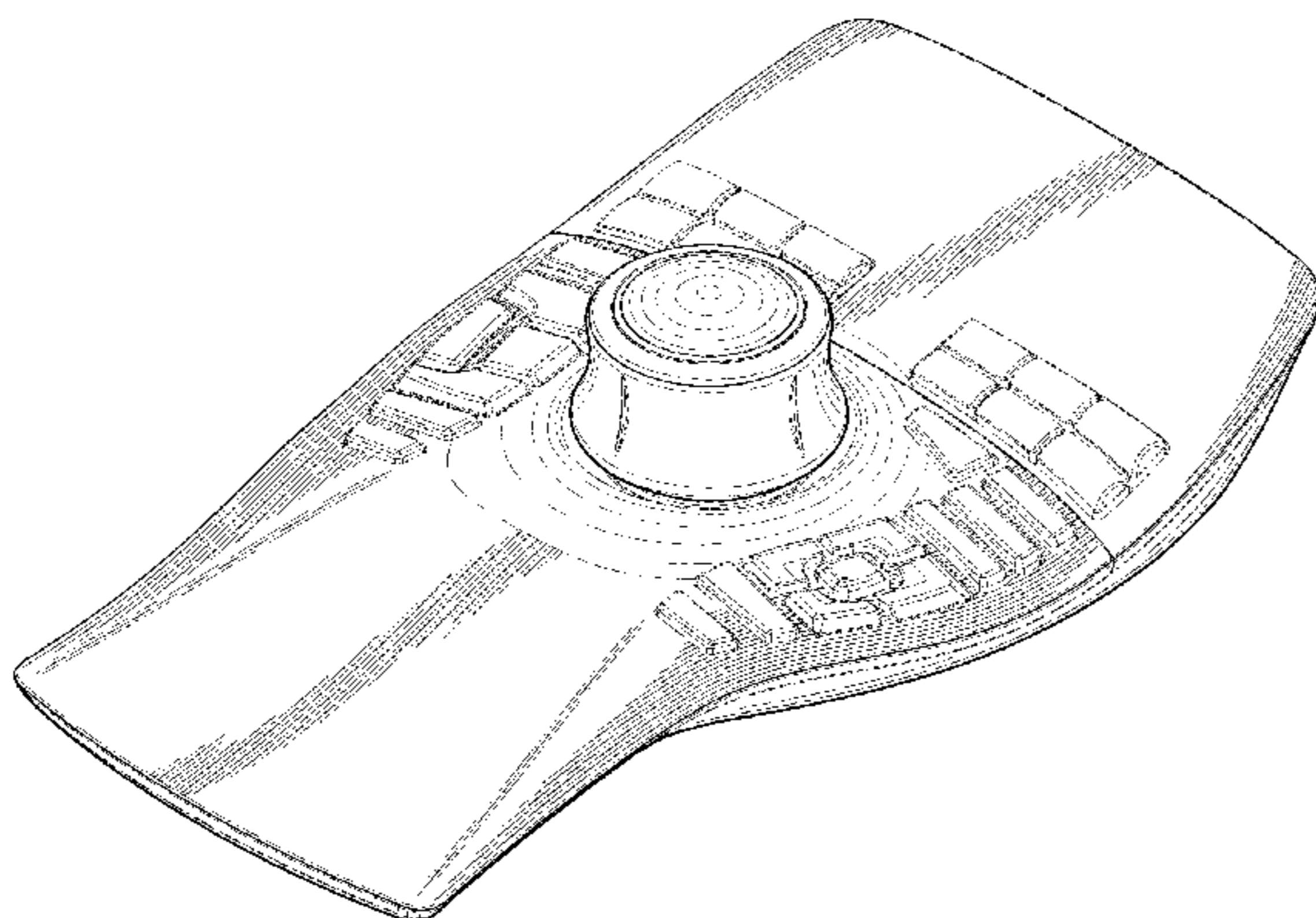
(57) **CLAIM**

An ornamental design for a computer input device, as shown
and described.

DESCRIPTION

FIG. 1 is a right side front perspective view of a computer
input device showing my new design;
FIG. 2 is a top plan view thereof;
FIG. 3 is a bottom plan view thereof;
FIG. 4 is a front elevation view thereof;
FIG. 5 is a back elevation view thereof;
FIG. 6 is a left elevation view thereof; and,
FIG. 7 is a right elevation view thereof.
The broken lines in the drawings depict portions of the
computer input device that form no part of the claimed
design.

1 Claim, 5 Drawing Sheets



(56)

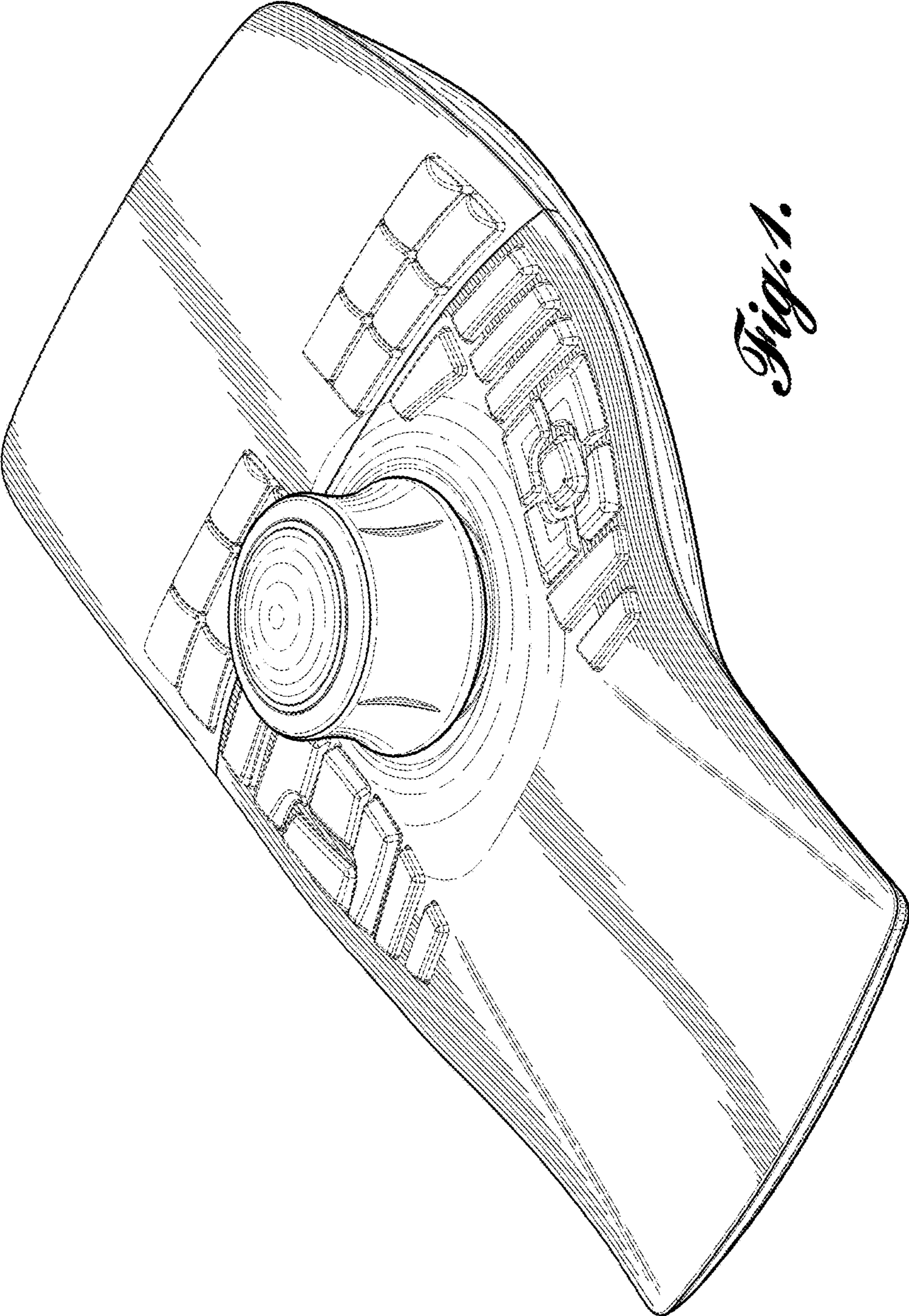
References Cited

U.S. PATENT DOCUMENTS

D442,961 S * 5/2001 Sheehan D14/417
 D448,378 S * 9/2001 Arnold D14/396
 D454,350 S * 3/2002 Jang D14/400
 D455,429 S * 4/2002 Sabin D14/409
 D462,686 S * 9/2002 Nakata D14/406
 D475,050 S * 5/2003 Klein D14/391
 D492,282 S * 6/2004 Lachello D14/218
 D501,477 S * 2/2005 Hall D14/396
 D503,928 S * 4/2005 Obata D13/164
 D506,758 S * 6/2005 Boswell D14/412
 D517,589 S * 3/2006 Muto D13/168
 D518,082 S * 3/2006 Muto D13/168
 D525,246 S * 7/2006 Nakanishi D14/419
 D550,671 S * 9/2007 Nelson D14/406
 D553,620 S * 10/2007 Schroeder D14/217
 D555,651 S * 11/2007 Pascucci D14/408
 D556,149 S * 11/2007 Kaufhold D13/162
 D557,220 S * 12/2007 Ewringmann D13/164
 D557,221 S * 12/2007 Ewringmann D13/164
 D568,875 S * 5/2008 Hoehn D14/218
 D589,046 S * 3/2009 Pascucci D14/408
 D590,309 S * 4/2009 Higashikawa D12/174
 D594,867 S * 6/2009 Dallmeier D14/398
 D605,197 S * 12/2009 Pascucci D14/408

D606,046 S * 12/2009 Bradford D14/218
 D611,003 S * 3/2010 Muirhead D13/162
 D615,544 S * 5/2010 Pascucci D14/217
 D622,724 S * 8/2010 Burke D14/218
 D624,543 S * 9/2010 Kettula D14/218
 D624,903 S * 10/2010 Wlotzka D14/218
 D629,394 S * 12/2010 Brady D14/218
 D631,475 S * 1/2011 Burke D14/400
 D636,394 S * 4/2011 Burke D14/400
 D658,184 S * 4/2012 Chang D14/413
 D696,668 S * 12/2013 Chen D14/402
 D702,685 S * 4/2014 Pascucci D14/408
 D706,268 S * 6/2014 Beams D14/413
 D707,755 S * 6/2014 Bonnano D21/333
 D718,309 S * 11/2014 Roberts D14/402
 D728,571 S * 5/2015 Perris D14/399
 D763,359 S * 8/2016 Kwong D14/401
 D776,091 S * 1/2017 Spio D14/218
 D792,883 S * 7/2017 Cortina D14/412
 D803,945 S * 11/2017 Matsuda D21/333
 2005/0062717 A1 * 3/2005 Willat G06F 3/03543
 345/163
 2007/0164995 A1 * 7/2007 Pascucci G06F 3/0338
 345/161
 2016/0180820 A1 * 1/2016 Pascucci et al. G06F 3/0383
 345/684

* cited by examiner



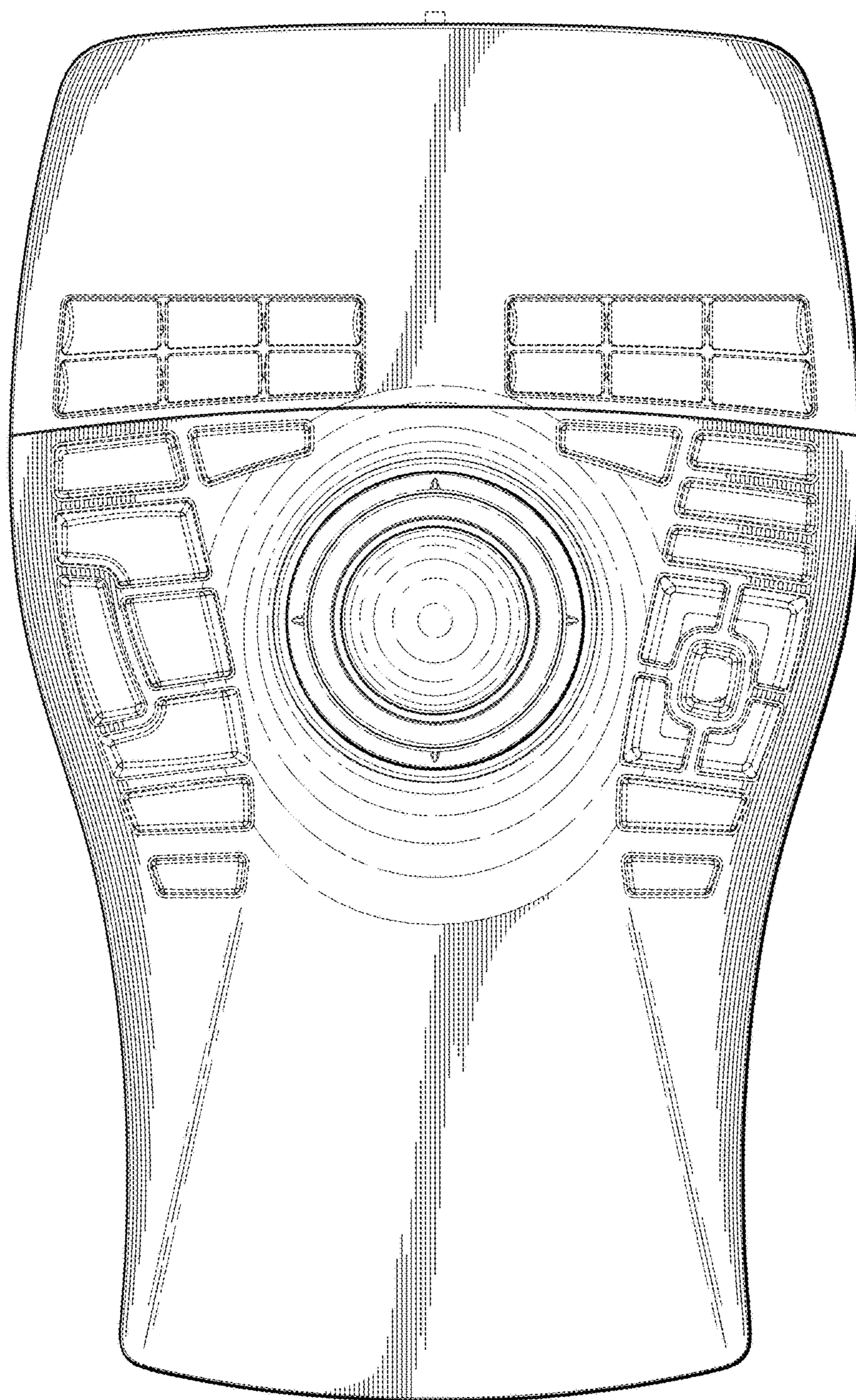


Fig. 2.

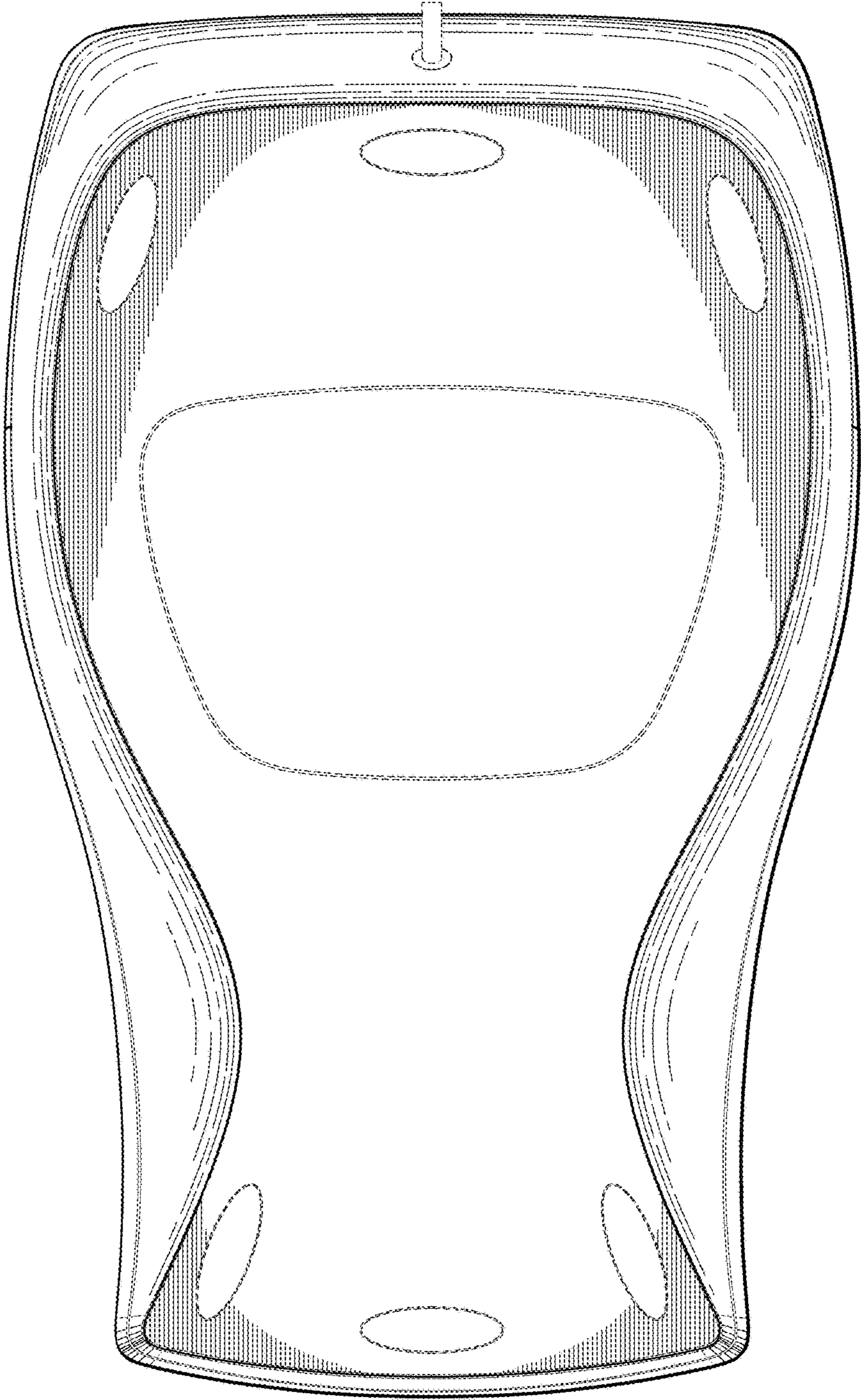


Fig. 3.

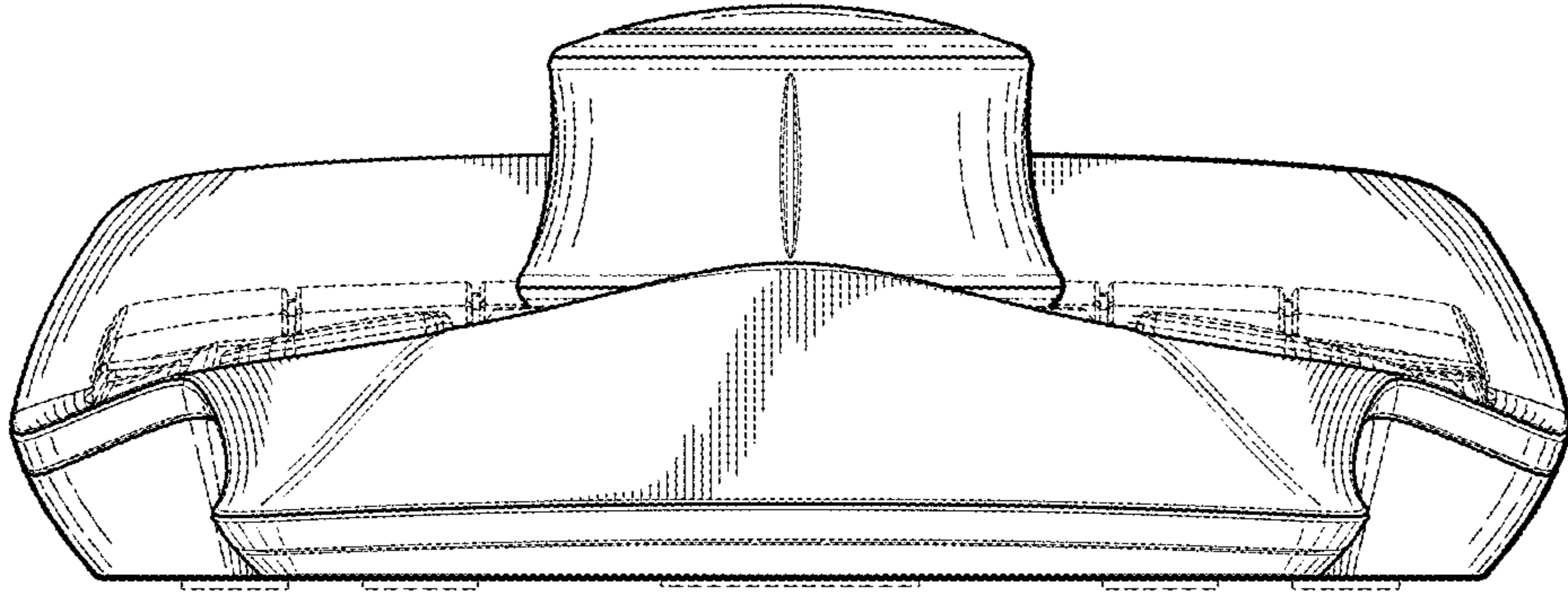


Fig. 4.

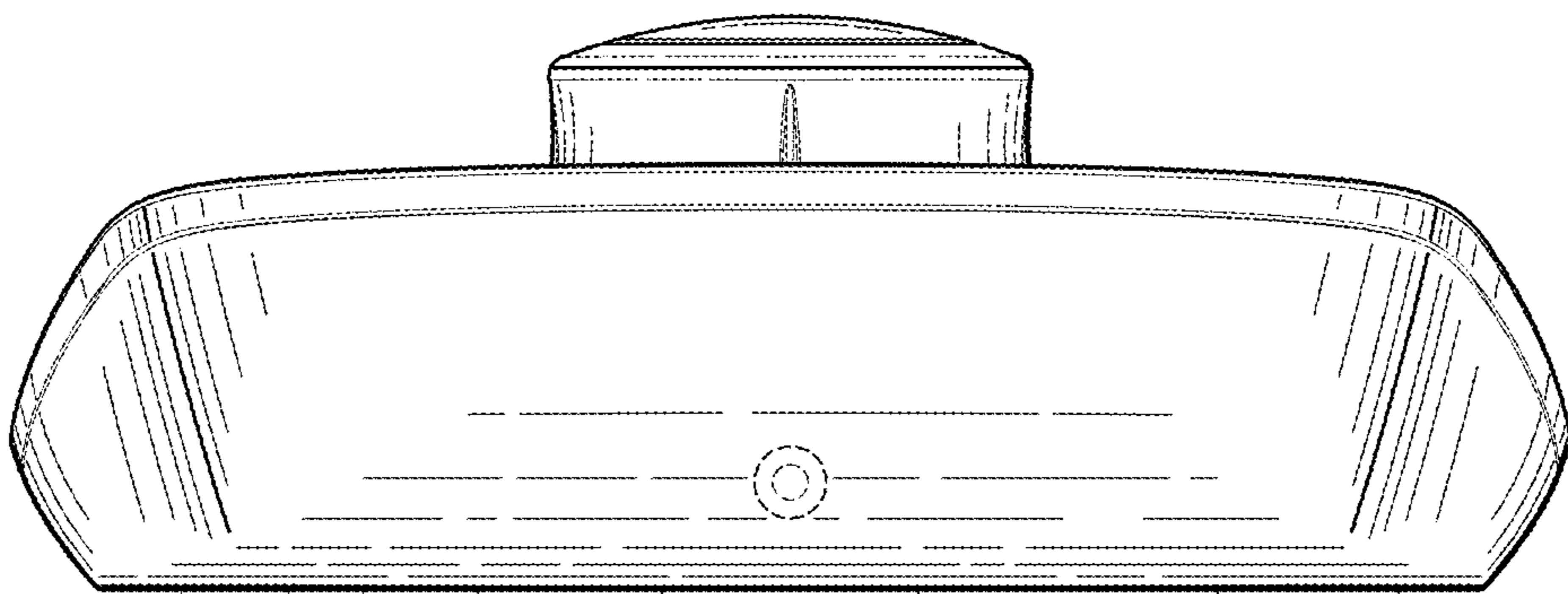


Fig. 5.

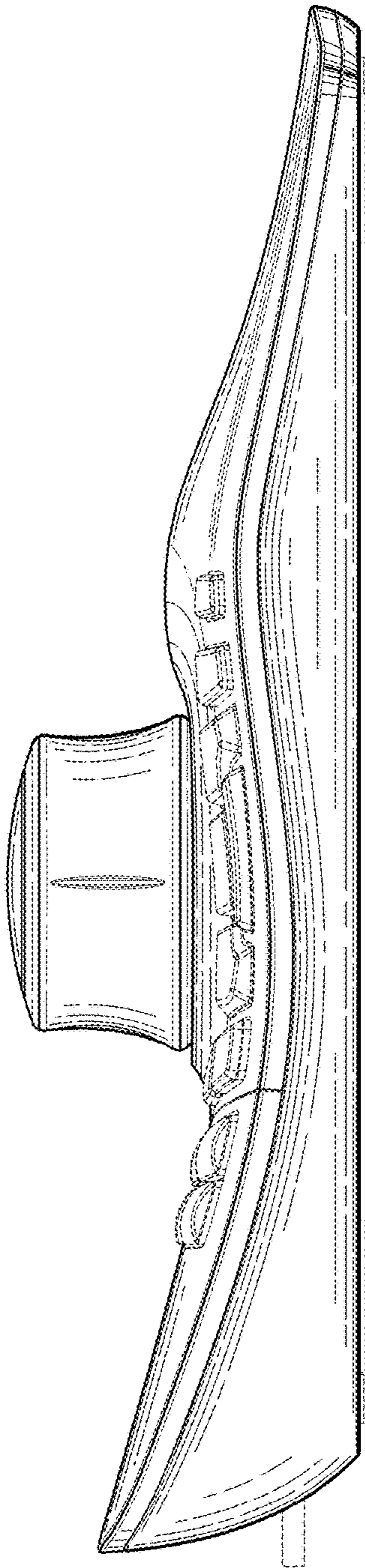


Fig. 6.

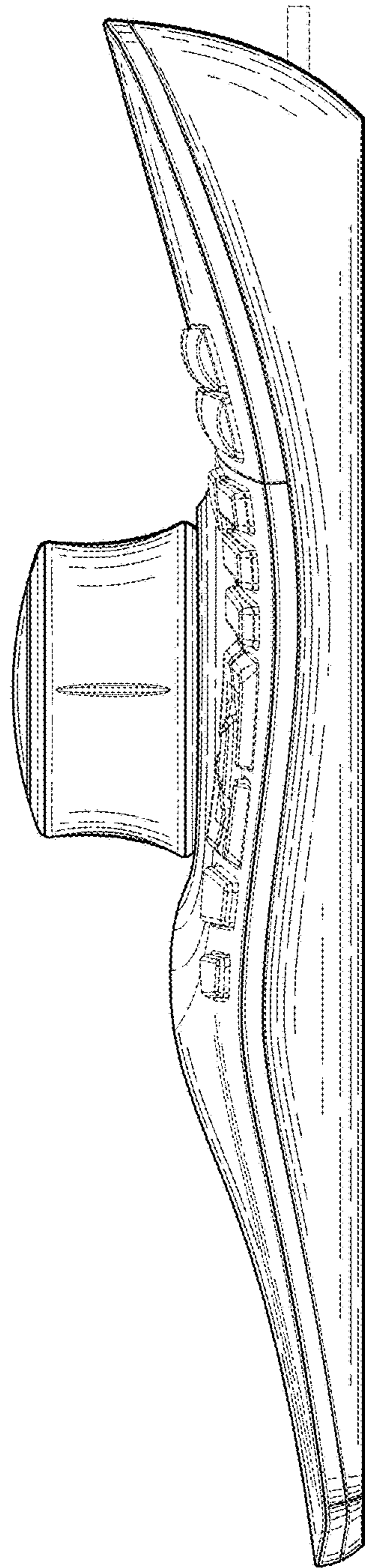


Fig. 7.