



US00D834019S

(12) **United States Design Patent**
Dallmeyer et al.

(10) **Patent No.:** **US D834,019 S**
(45) **Date of Patent:** **** Nov. 20, 2018**

- (54) **HEAD-MOUNTED DISPLAY**
- (71) Applicant: **Oculus VR, LLC**, Menlo Park, CA (US)
- (72) Inventors: **Scott Andrew Dallmeyer**, Seattle, WA (US); **Shane Michael Ellis**, Bellevue, WA (US); **Peter Wesley Bristol**, Seattle, WA (US); **Mauricio Romano**, Redmond, WA (US)
- (73) Assignee: **Facebook Technologies, LLC**, Menlo Park, CA (US)
- (**) Term: **15 Years**
- (21) Appl. No.: **29/602,280**
- (22) Filed: **Apr. 28, 2017**
- (51) **LOC (11) Cl.** **14-02**
- (52) **U.S. Cl.**
USPC **D14/372**
- (58) **Field of Classification Search**
USPC D14/372, 496, 432, 371, 125, 126, 129, 14/299; D16/300-342; 351/158, 153, 351/144; 345/7-9, 905; 455/344; 348/115, 53, 121, 739
CPC G02B 27/017; G02B 27/0158; G02B 27/0161; G02B 27/0181; G02B 27/0185; G02B 27/0189
See application file for complete search history.

- D775,129 S * 12/2016 Zellweger D14/372
- D777,164 S * 1/2017 Zellweger D14/372
- D779,486 S * 2/2017 Zellweger D14/372
- D797,181 S * 9/2017 Seo D16/312
- D805,515 S * 12/2017 Bowes D14/372
- D806,073 S * 12/2017 Li D14/372
- D806,074 S * 12/2017 Kuwahara D14/372
- D810,742 S * 2/2018 Robertson D14/372

* cited by examiner

Primary Examiner — Austin Murphy

(74) *Attorney, Agent, or Firm* — Fenwick & West LLP

(57) **CLAIM**

The ornamental design for a head-mounted display, as shown and described.

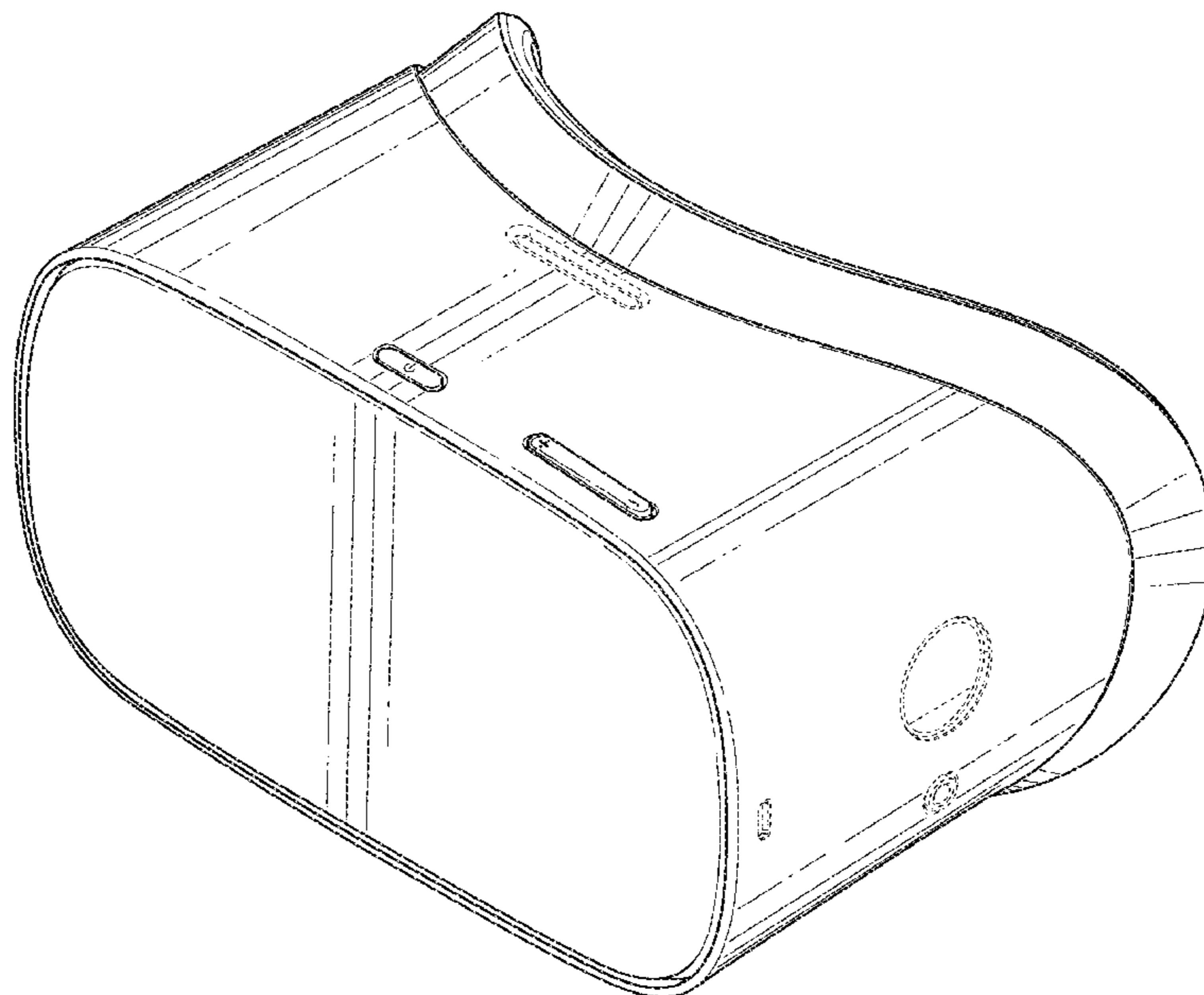
DESCRIPTION

FIG. 1 is a perspective view of a first embodiment of a head-mounted display;
 FIG. 2 is a front view thereof;
 FIG. 3 is a rear view thereof;
 FIG. 4 is a left side view thereof;
 FIG. 5 is a right side view thereof;
 FIG. 6 is a top view thereof; and
 FIG. 7 is a bottom view thereof.
 FIG. 8 is a perspective view of a second embodiment of a head mounted display;
 FIG. 9 is a front view thereof;
 FIG. 10 is a rear view thereof;
 FIG. 11 is a left side view thereof;
 FIG. 12 is a right side view thereof;
 FIG. 13 is a top view thereof; and
 FIG. 14 is a bottom view thereof.
 The broken lines in the figures form no part of the claimed design.

(56) **References Cited**
U.S. PATENT DOCUMENTS

- D759,654 S * 6/2016 Sullivan D14/372
- D764,466 S * 8/2016 Kim D14/372
- D771,627 S * 11/2016 Ko D14/372
- D775,128 S * 12/2016 Zellweger D14/372

1 Claim, 14 Drawing Sheets



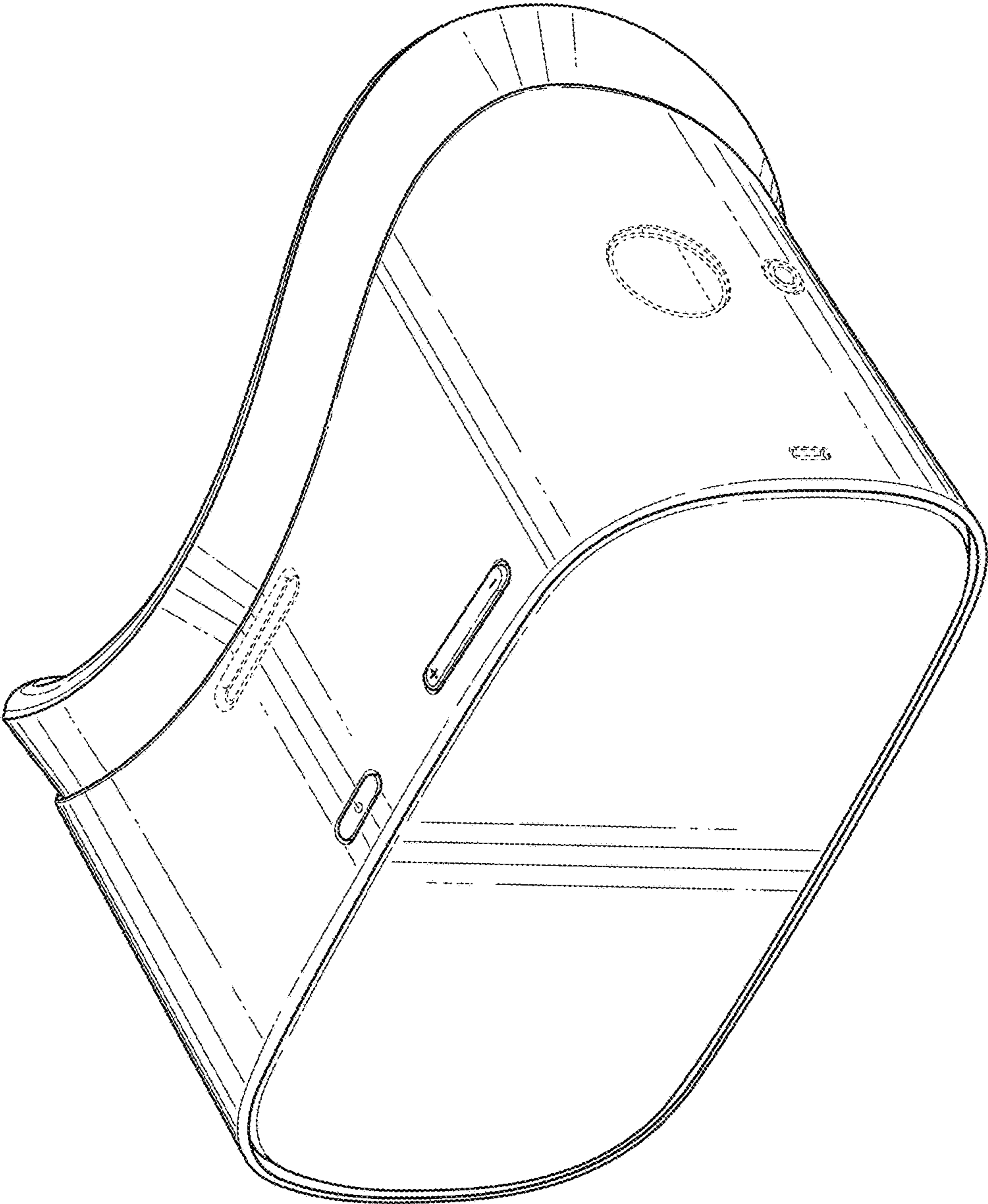


FIG. 1

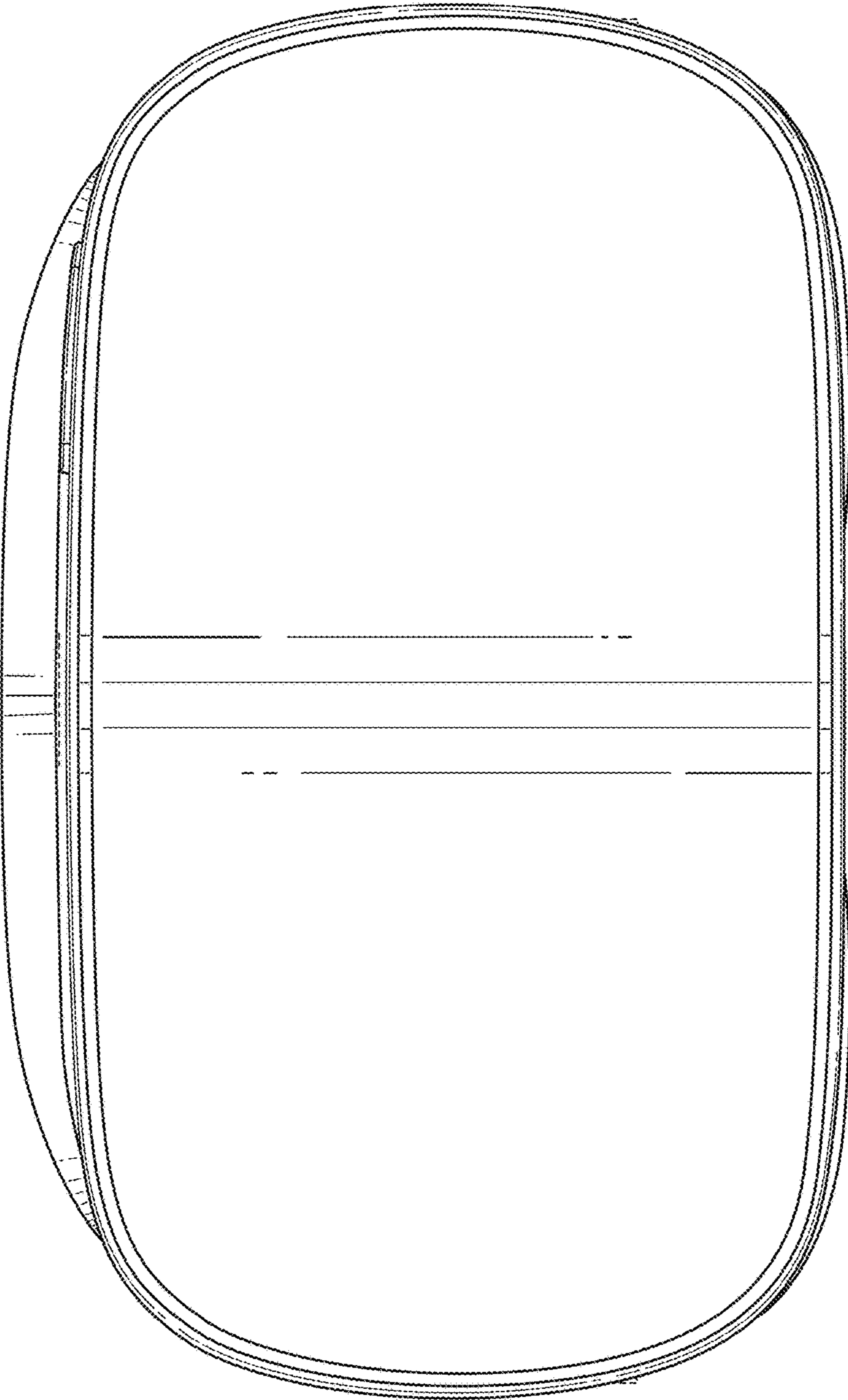


FIG. 2

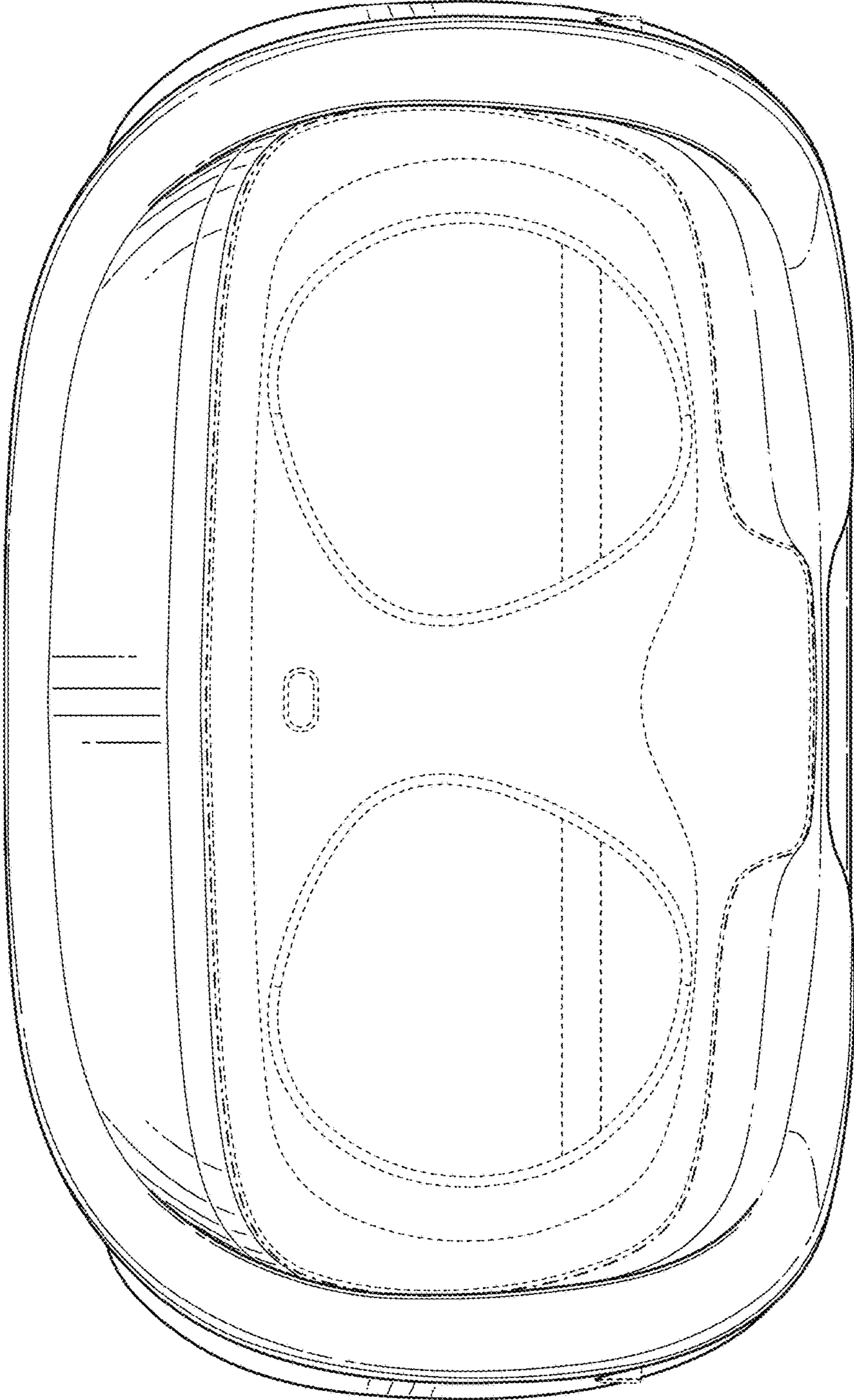


FIG. 3

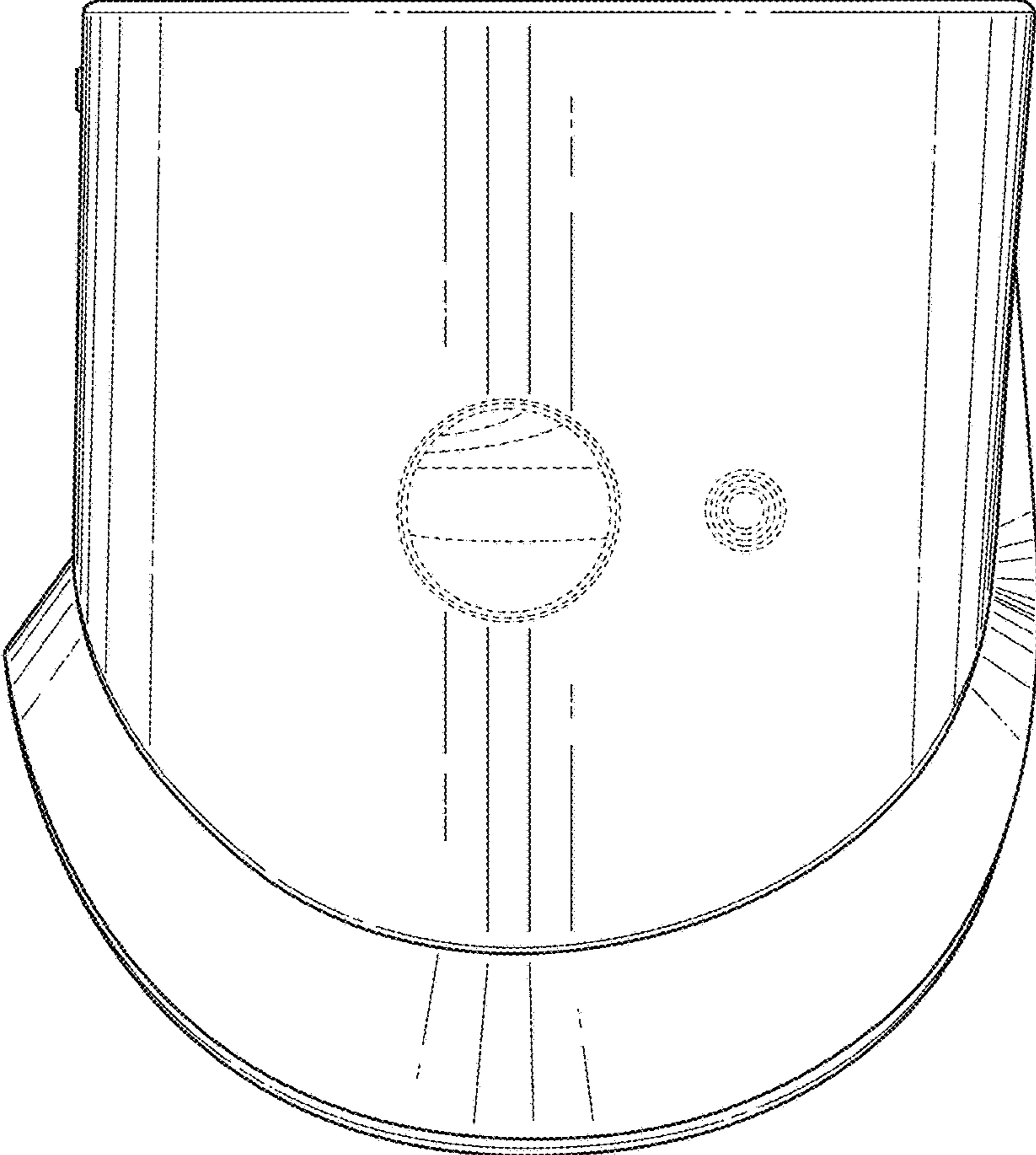


FIG. 4

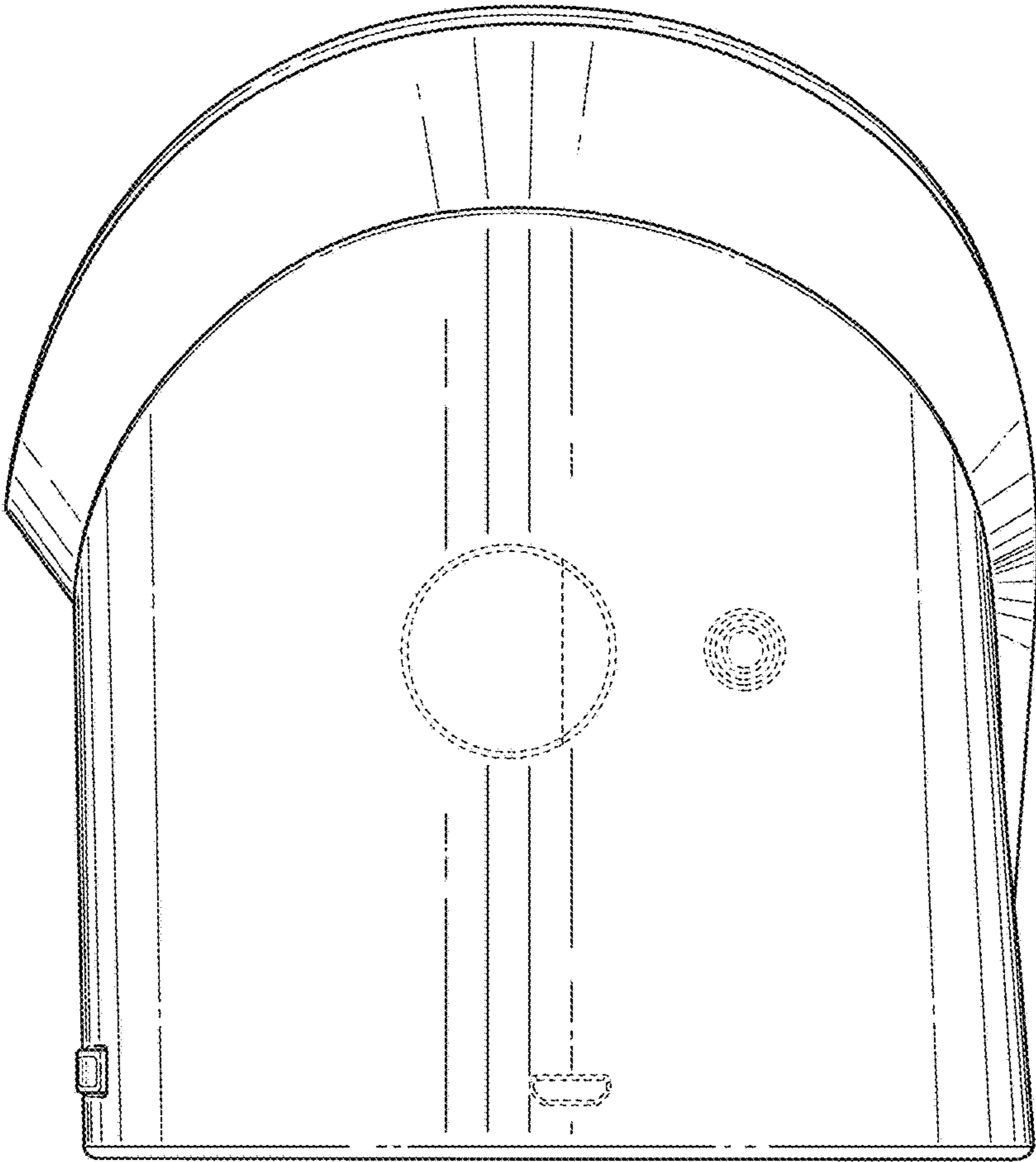


FIG. 5

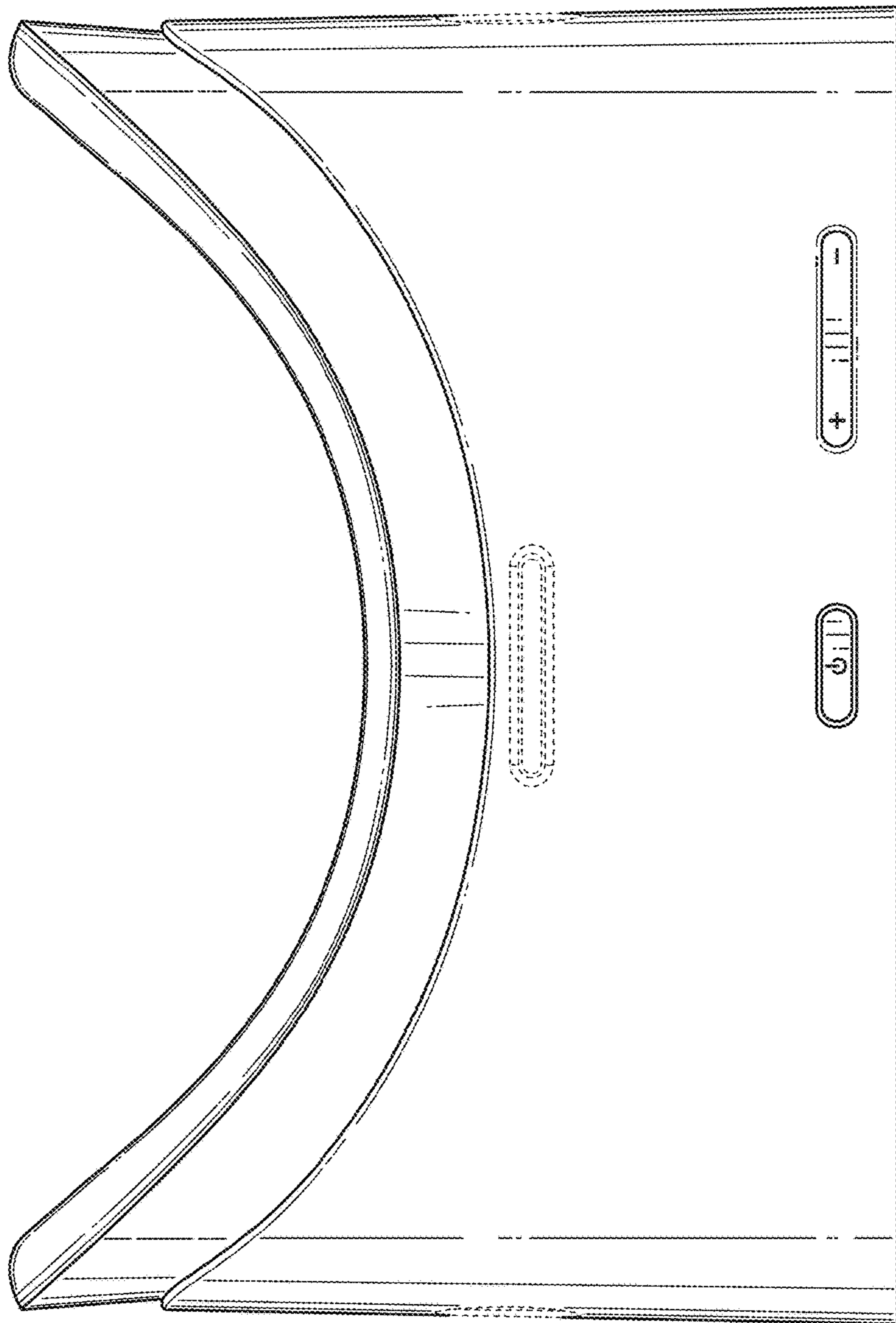


FIG. 6

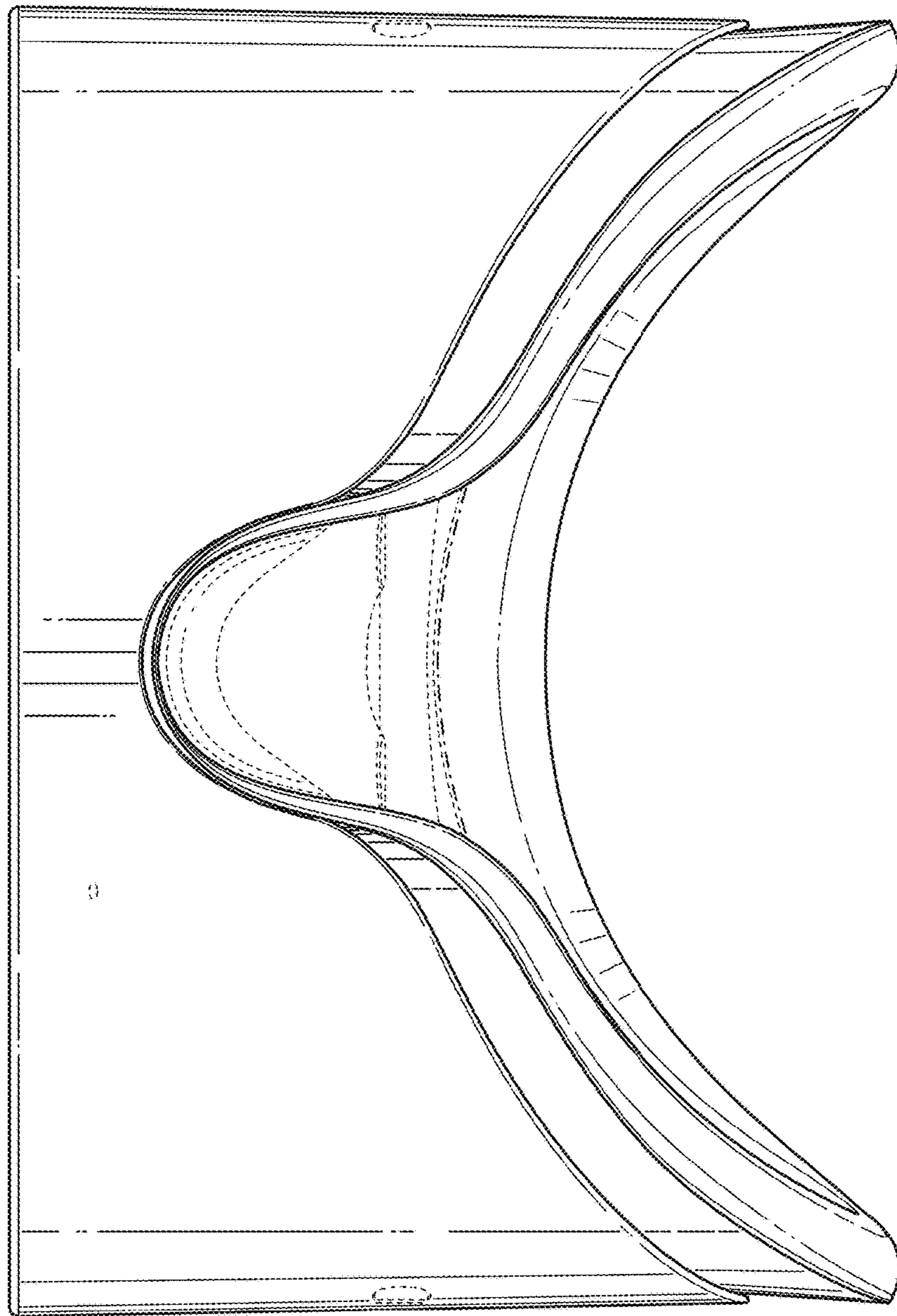


FIG. 7

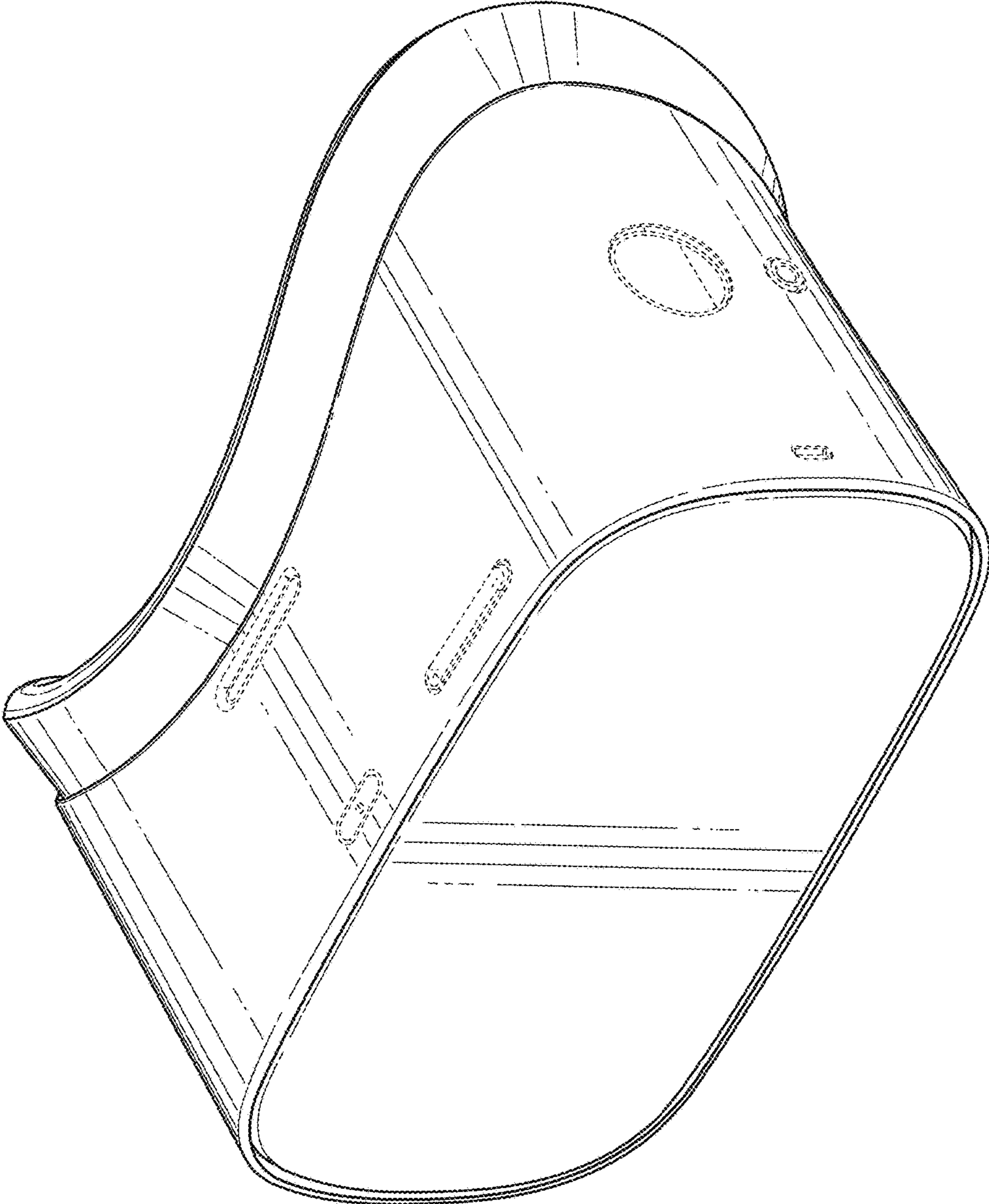


FIG. 8

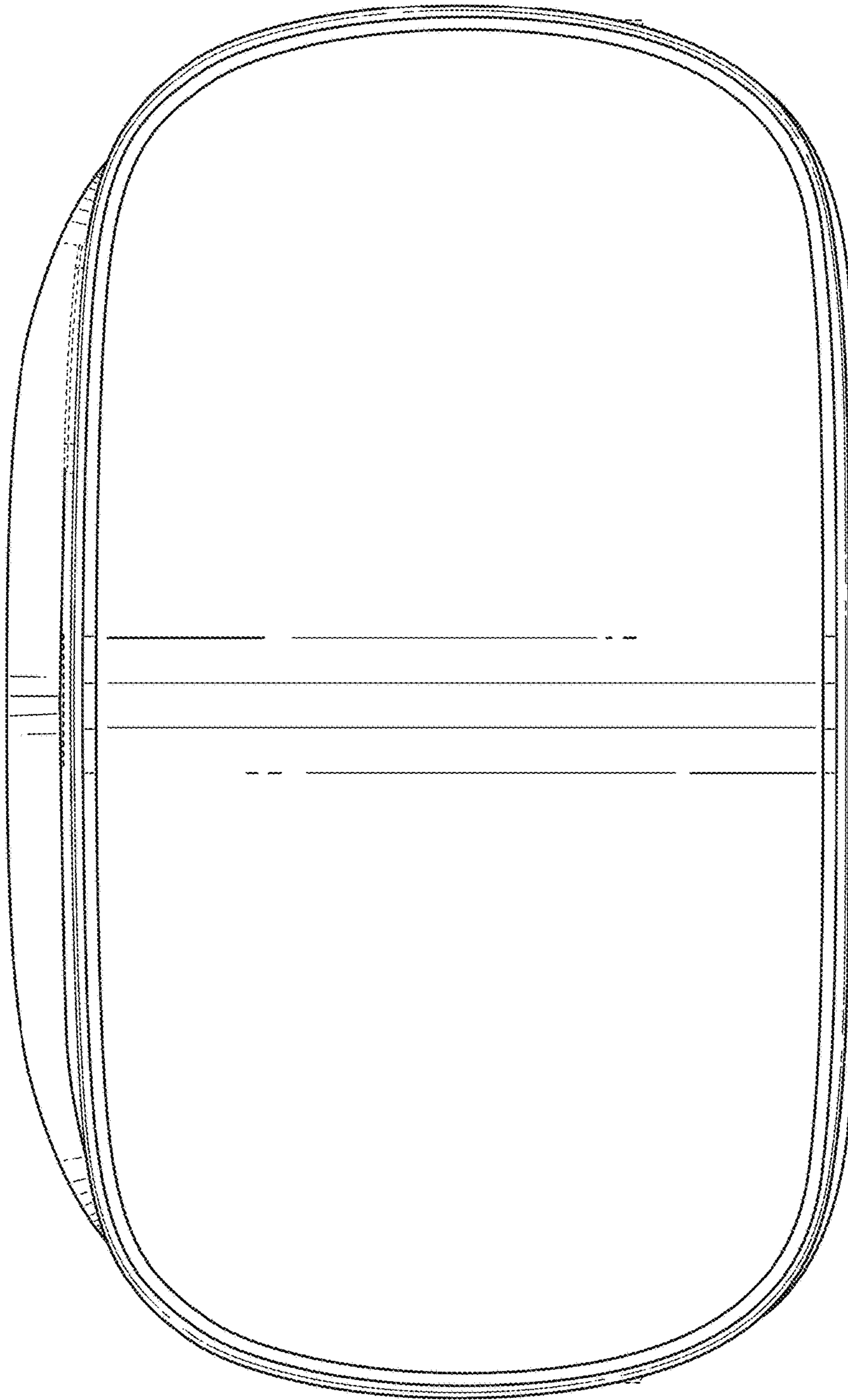


FIG. 9

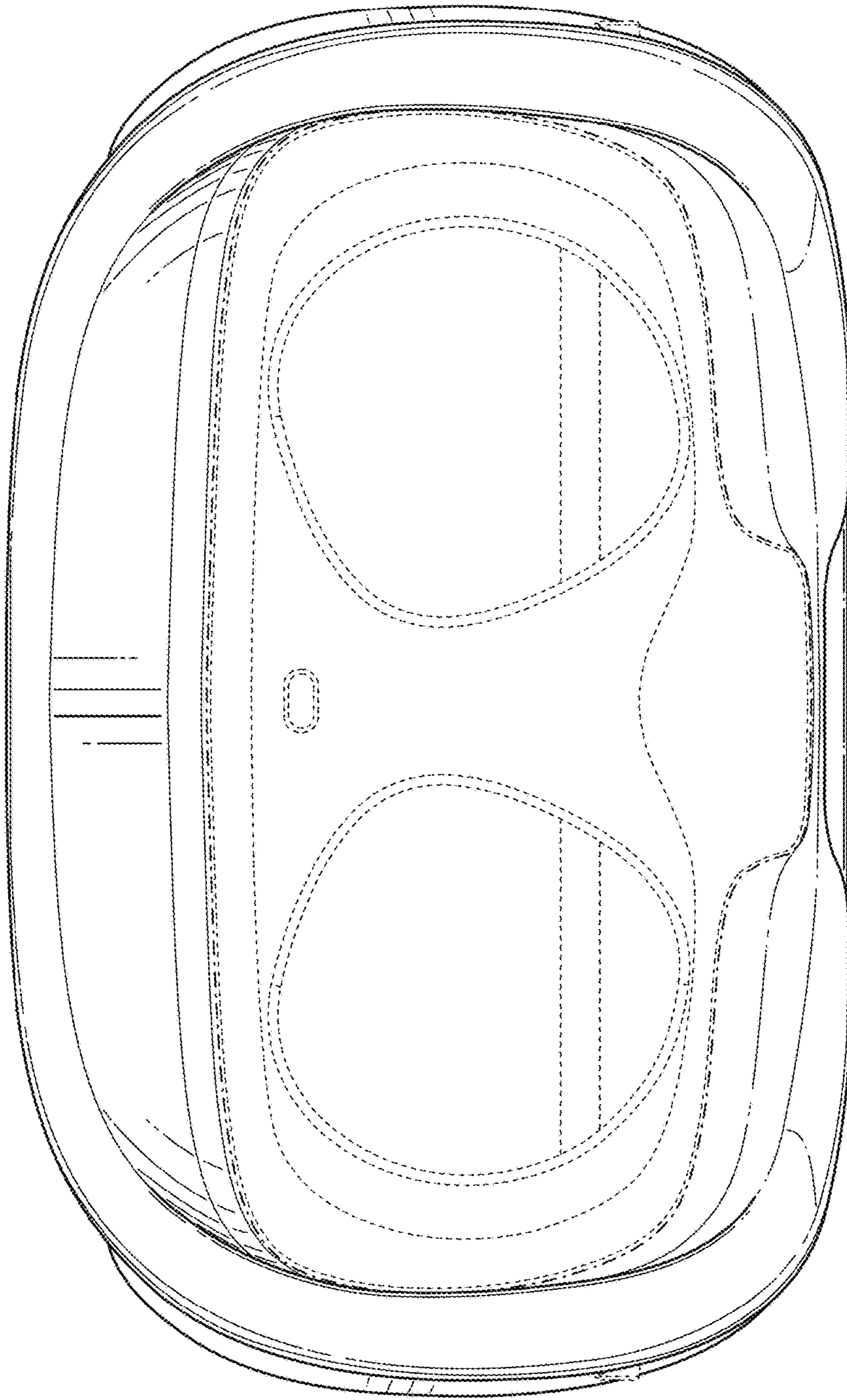


FIG. 10

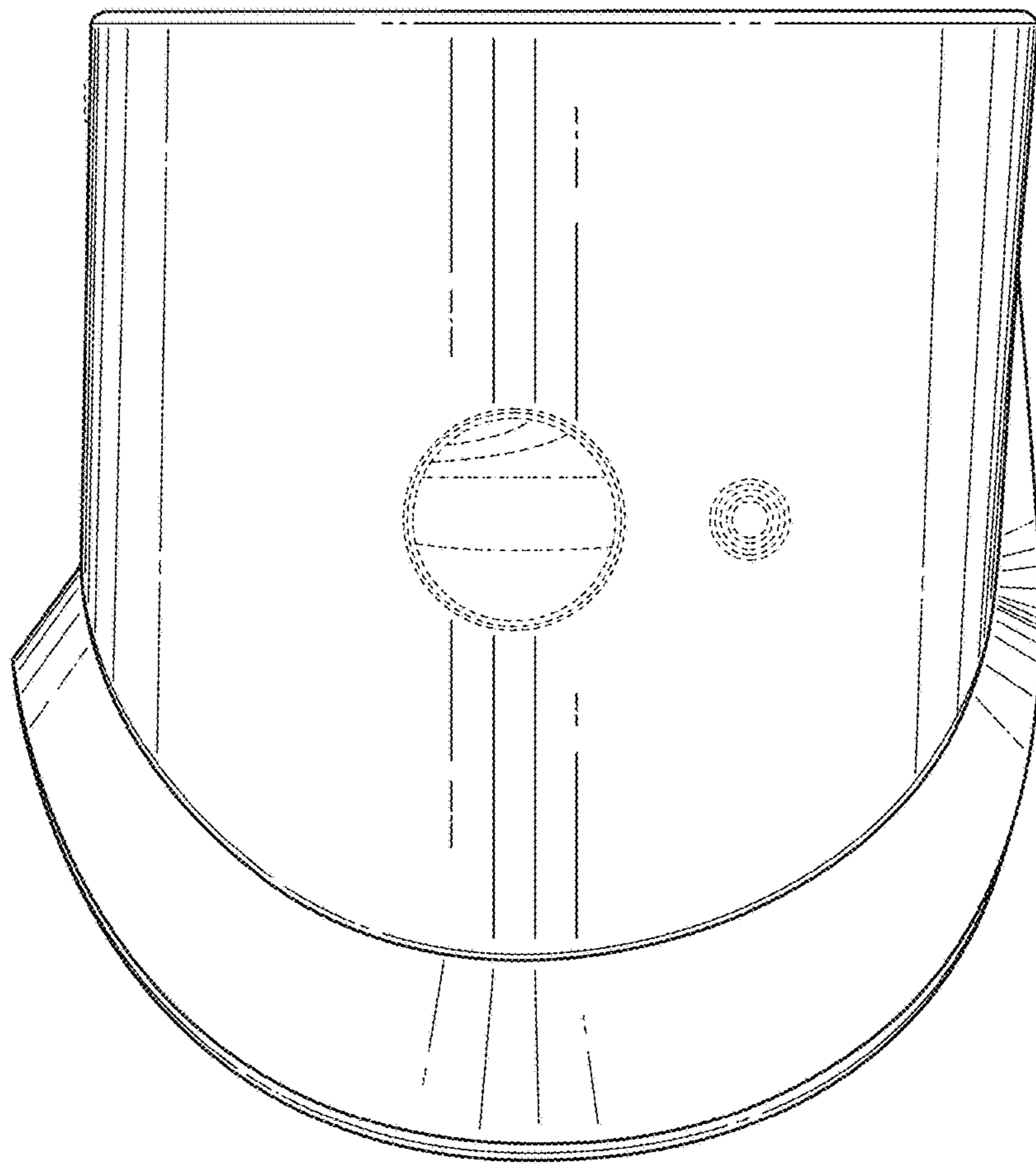


FIG. 11

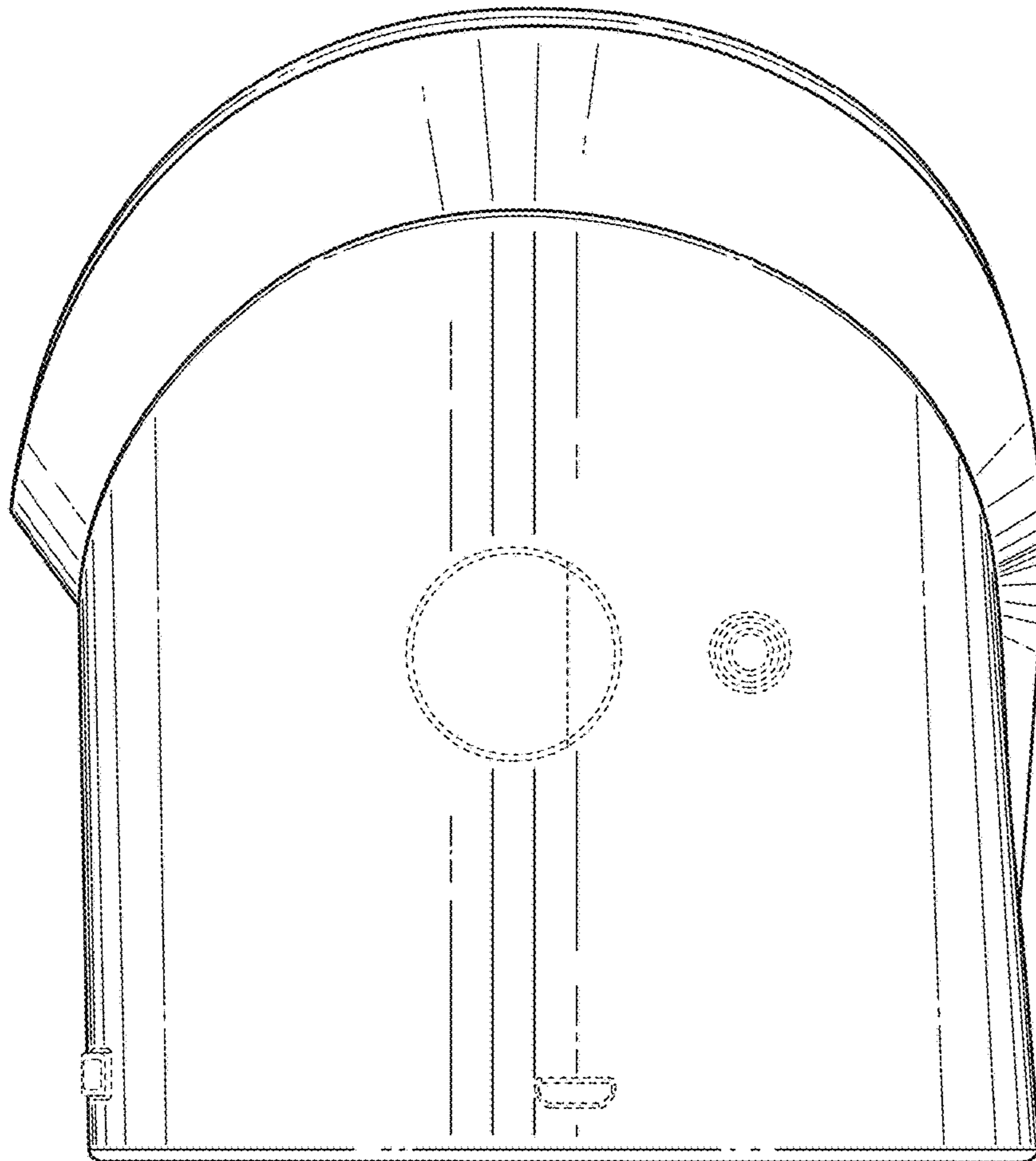


FIG. 12

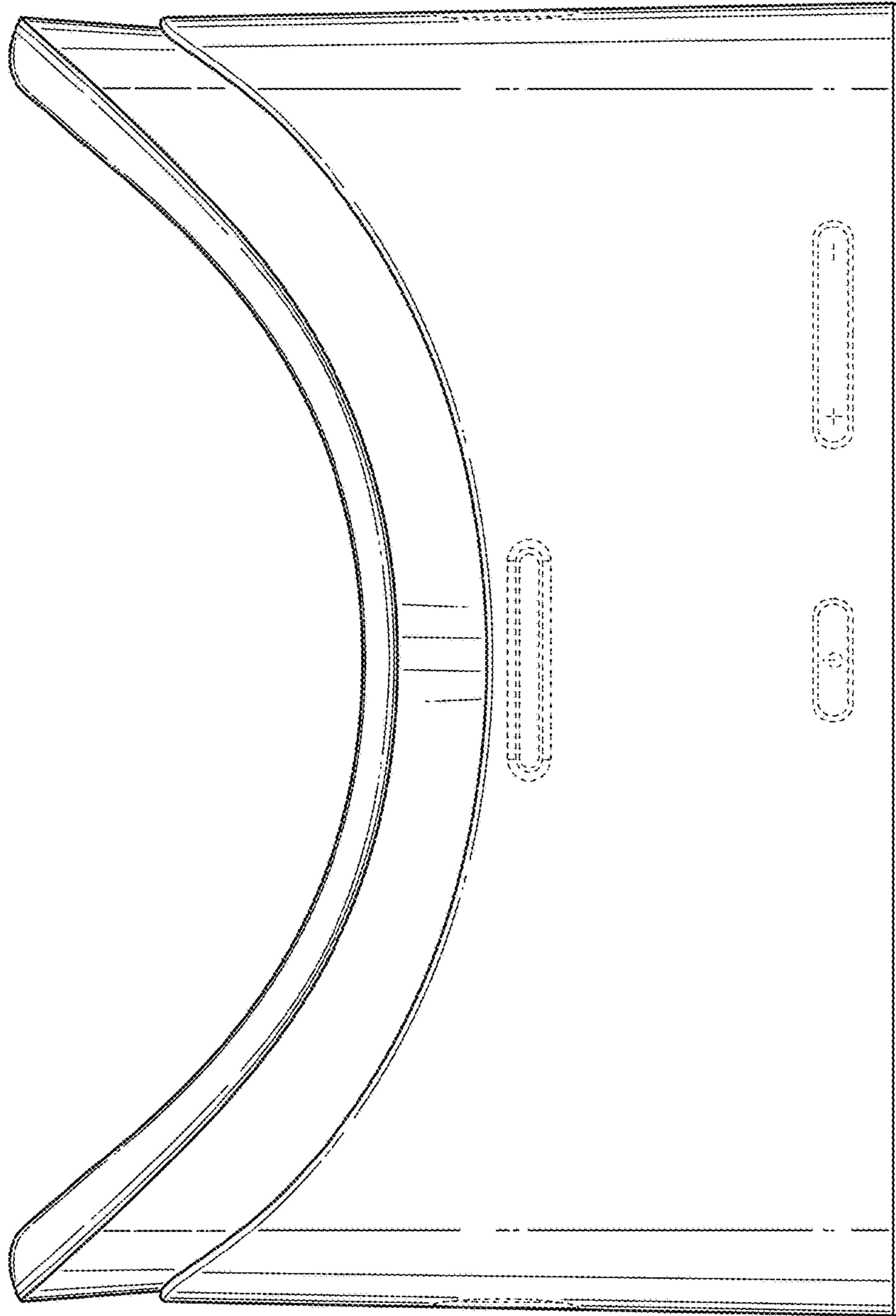


FIG. 13

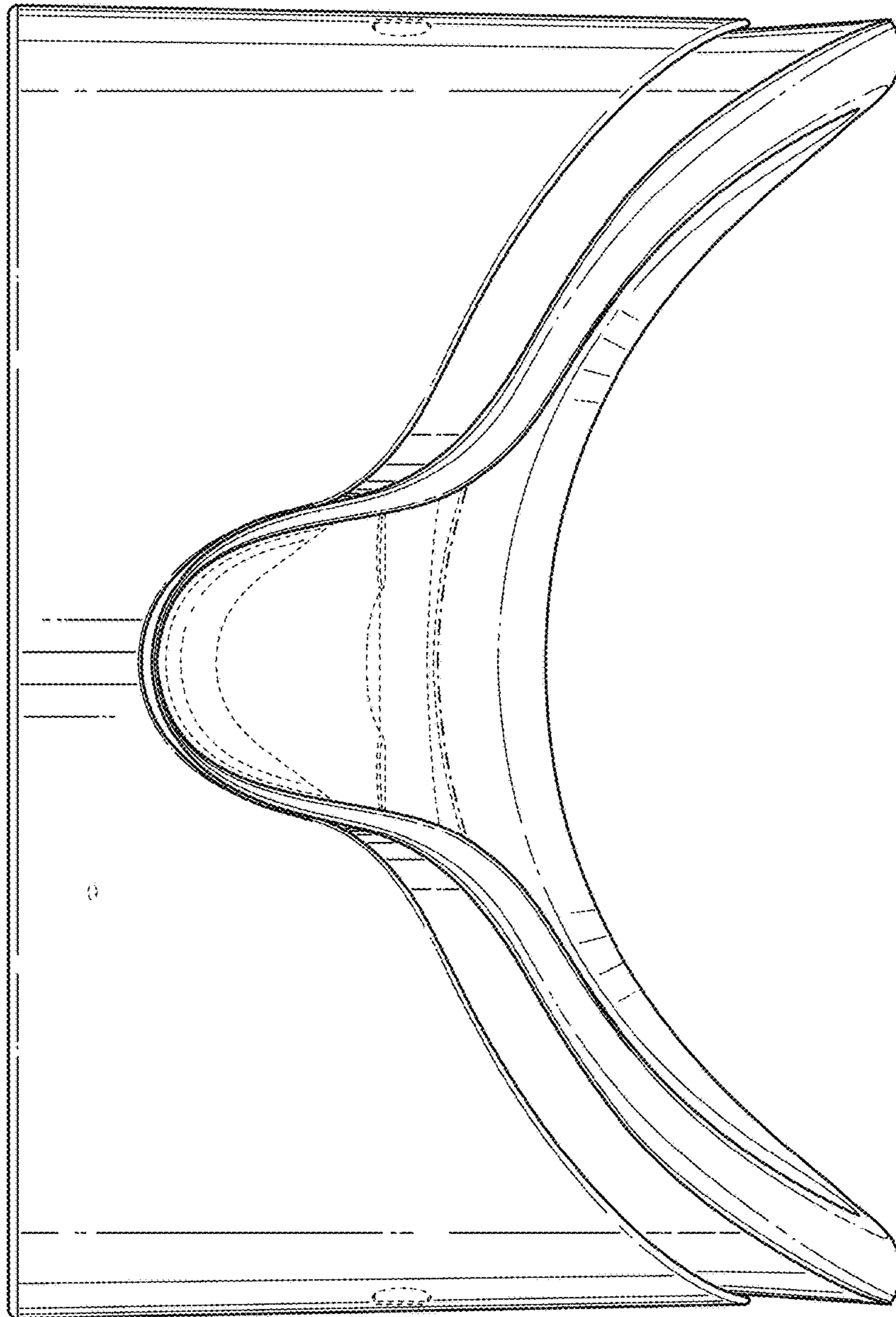


FIG. 14