



US00D834017S

(12) **United States Design Patent** (10) **Patent No.:** **US D834,017 S**
Beynel et al. (45) **Date of Patent:** **** Nov. 20, 2018**

(54) **VISION APPARATUS COMPRISING EYEWEAR FRAME AND PIVOTABLE DISPLAY**

(71) Applicant: **eSIGHT CORPORATION**, Ottawa (CA)

(72) Inventors: **Antoine Beynel**, Seattle, WA (US);
Shaun Choi, Bellevue, WA (US);
Benoit Collette, Seattle, WA (US);
Clement Gallois, Seattle, WA (US);
Matthew Jordan, Seattle, WA (US);
Fernd Van Engelen, Bothell, WA (US);
Markus Wierzoch, Seattle, WA (US)

(73) Assignee: **eSight Corporation**, Ottawa (CA)

(**) Term: **15 Years**

(21) Appl. No.: **29/594,600**

(22) Filed: **Feb. 21, 2017**

(51) **LOC (11) Cl.** **14-02**

(52) **U.S. Cl.**
USPC **D14/372**

(58) **Field of Classification Search**
USPC D14/372, 496, 432, 371, 125, 126, 129,
D14/299; D16/300–342; 351/158, 153,
(Continued)

(56) **References Cited**

U.S. PATENT DOCUMENTS

D738,374 S * 9/2015 Luckey D14/372
9,599,822 B2 * 3/2017 Yoon G02B 3/08
(Continued)

Primary Examiner — Austin Murphy

(74) *Attorney, Agent, or Firm* — Rosenberg, Klein & Lee

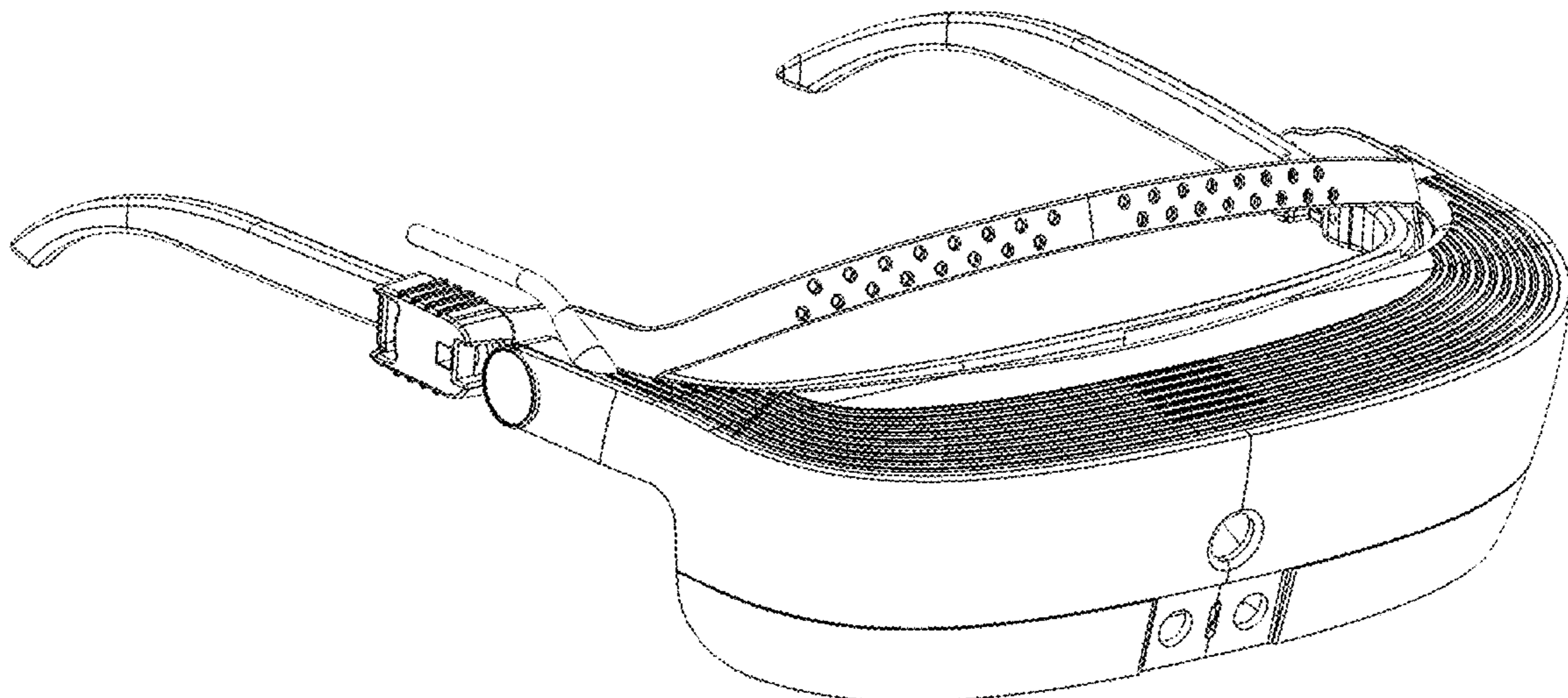
(57) **CLAIM**

The ornamental design consists of the vision apparatus comprising eyewear frame and pivotable display, as shown and described.

DESCRIPTION

FIG. 1 is an upper left perspective view of a vision apparatus comprising eyewear frame and pivotable display;
FIG. 2 is a front view of the vision apparatus comprising eyewear frame and pivotable display of FIG. 1;
FIG. 3 is a rear view of the vision apparatus comprising eyewear frame and pivotable display of FIG. 1;
FIG. 4 is a top view of the vision apparatus comprising eyewear frame and pivotable display of FIG. 1;
FIG. 5 is a bottom view of the vision apparatus comprising eyewear frame and pivotable display of FIG. 1;
FIG. 6 is a right side view of the vision apparatus comprising eyewear frame and pivotable display of FIG. 1;
FIG. 7 is a left side view of the vision apparatus comprising eyewear frame and pivotable display of FIG. 1;
FIG. 8 is an upper right perspective view of the vision apparatus comprising eyewear frame and pivotable display in an alternate position of use;
FIG. 9 is a front view of the vision apparatus comprising eyewear frame and pivotable display of FIG. 8;
FIG. 10 is a rear view of the vision apparatus comprising eyewear frame and pivotable display of FIG. 8;
FIG. 11 is a top view of the vision apparatus comprising eyewear frame and pivotable display of FIG. 8;
FIG. 12 is a bottom view of the vision apparatus comprising eyewear frame and pivotable display of FIG. 8;
FIG. 13 is a right side view of the vision apparatus comprising eyewear frame and pivotable display of FIG. 8; and,
FIG. 14 is a left side view of the vision apparatus comprising eyewear frame and pivotable display of FIG. 8.

1 Claim, 10 Drawing Sheets



(58) **Field of Classification Search**

USPC 351/144; 345/7-9, 905; 455/344;
348/115, 53, 121, 739
CPC G02B 27/017; G02B 27/0158; G02B
27/0161; G02B 27/0181; G02B 27/0185;
G02B 27/0189

See application file for complete search history.

(56) **References Cited**

U.S. PATENT DOCUMENTS

D791,127 S * 7/2017 Sullivan D14/372
D791,129 S * 7/2017 Sullivan D14/372
D792,399 S * 7/2017 Thomas D14/372
9,706,286 B1 * 7/2017 Patel H04R 1/105
D800,117 S * 10/2017 Yee D14/372
9,776,084 B2 * 10/2017 Allin A63F 13/26
D801,970 S * 11/2017 Sullivan D14/372
9,810,911 B2 * 11/2017 Miller F16M 13/00
9,832,561 B2 * 11/2017 Morris H04R 1/1066
9,837,043 B1 * 12/2017 Patel G09G 5/006
9,846,483 B2 * 12/2017 Petrov G06F 3/015
D807,354 S * 1/2018 Yee D14/372
9,857,596 B2 * 1/2018 Drinkwater G02B 27/0176
D810,081 S * 2/2018 Lin D14/372
D810,743 S * 2/2018 Yee D14/372
9,927,618 B2 * 3/2018 Allin G02B 27/0176

* cited by examiner

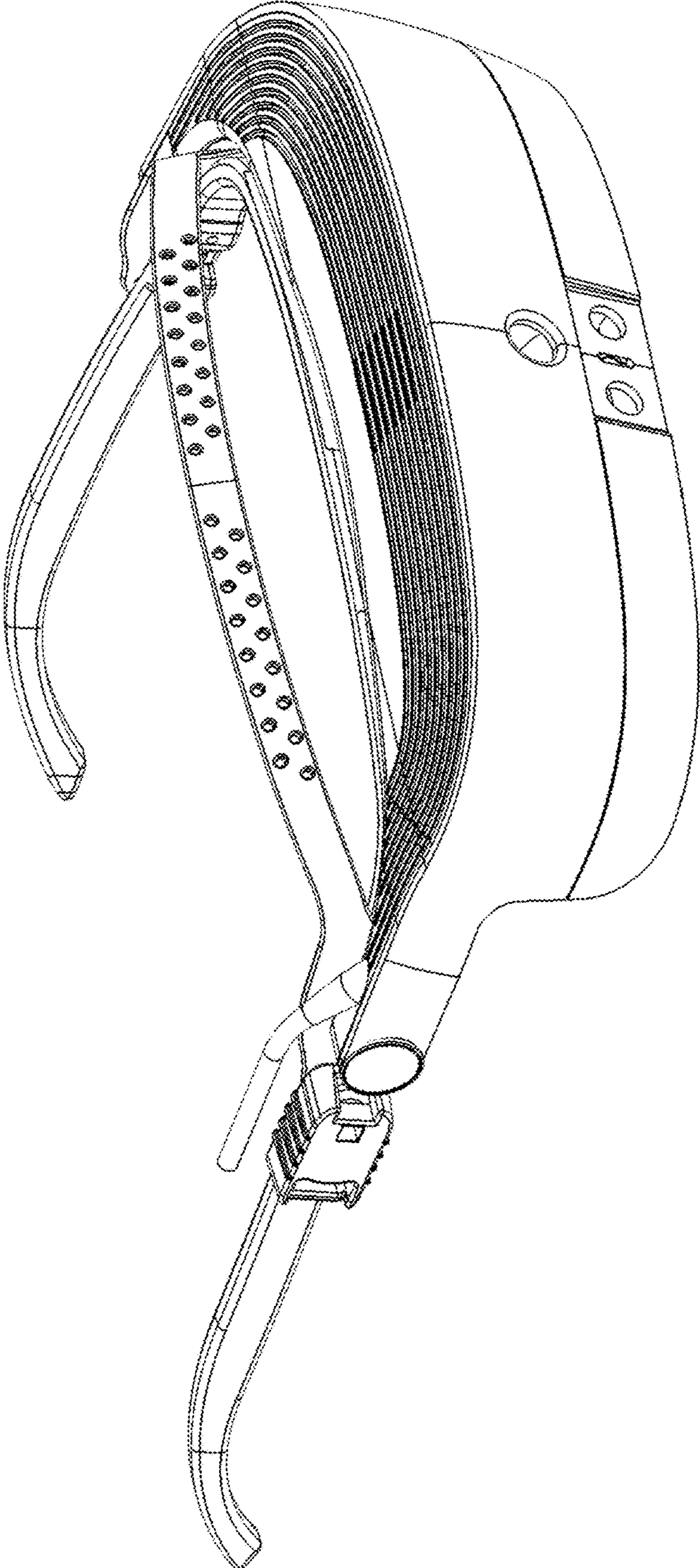


Figure 1

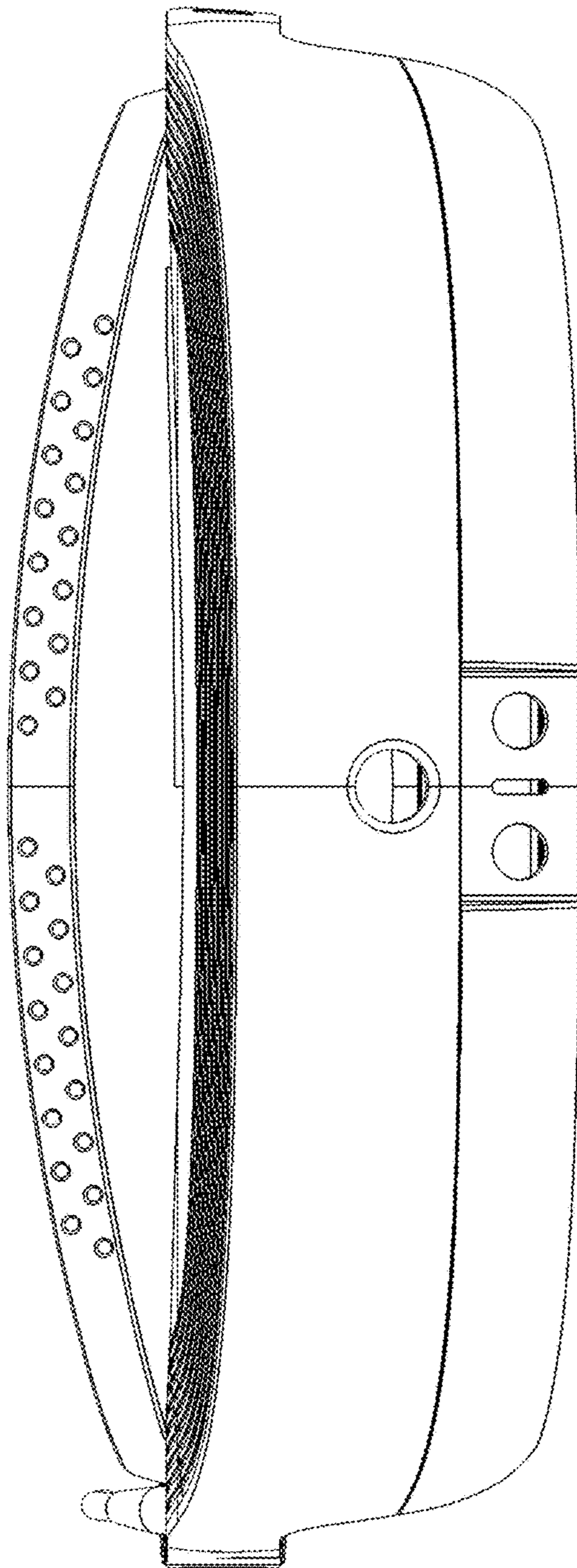
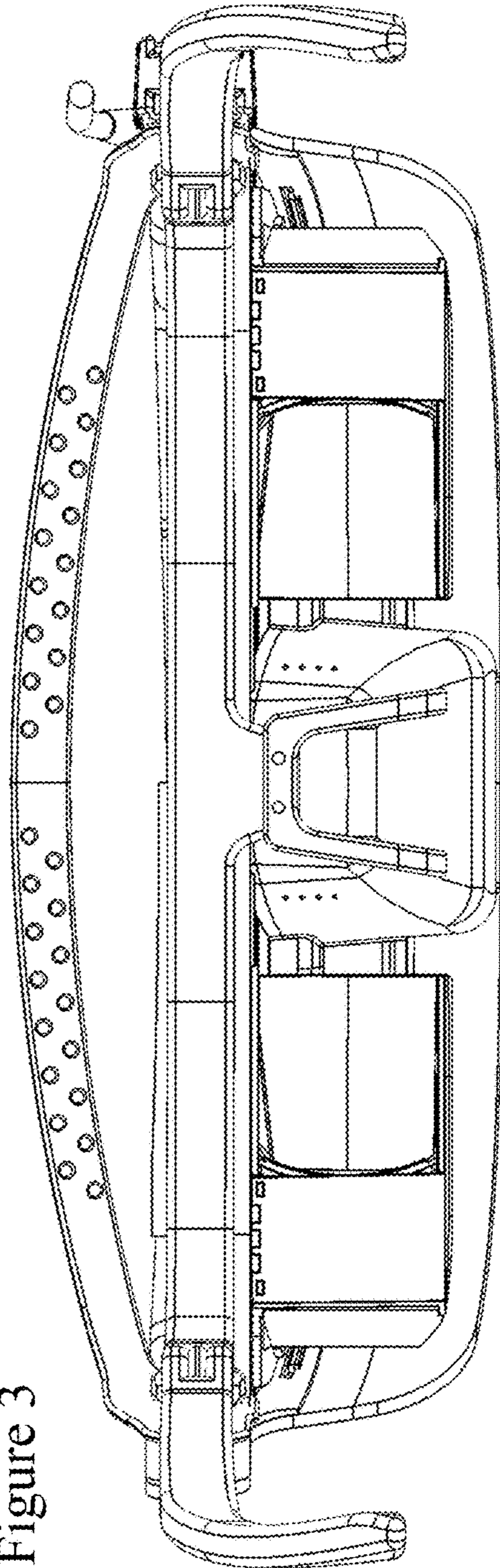


Figure 2

Figure 3



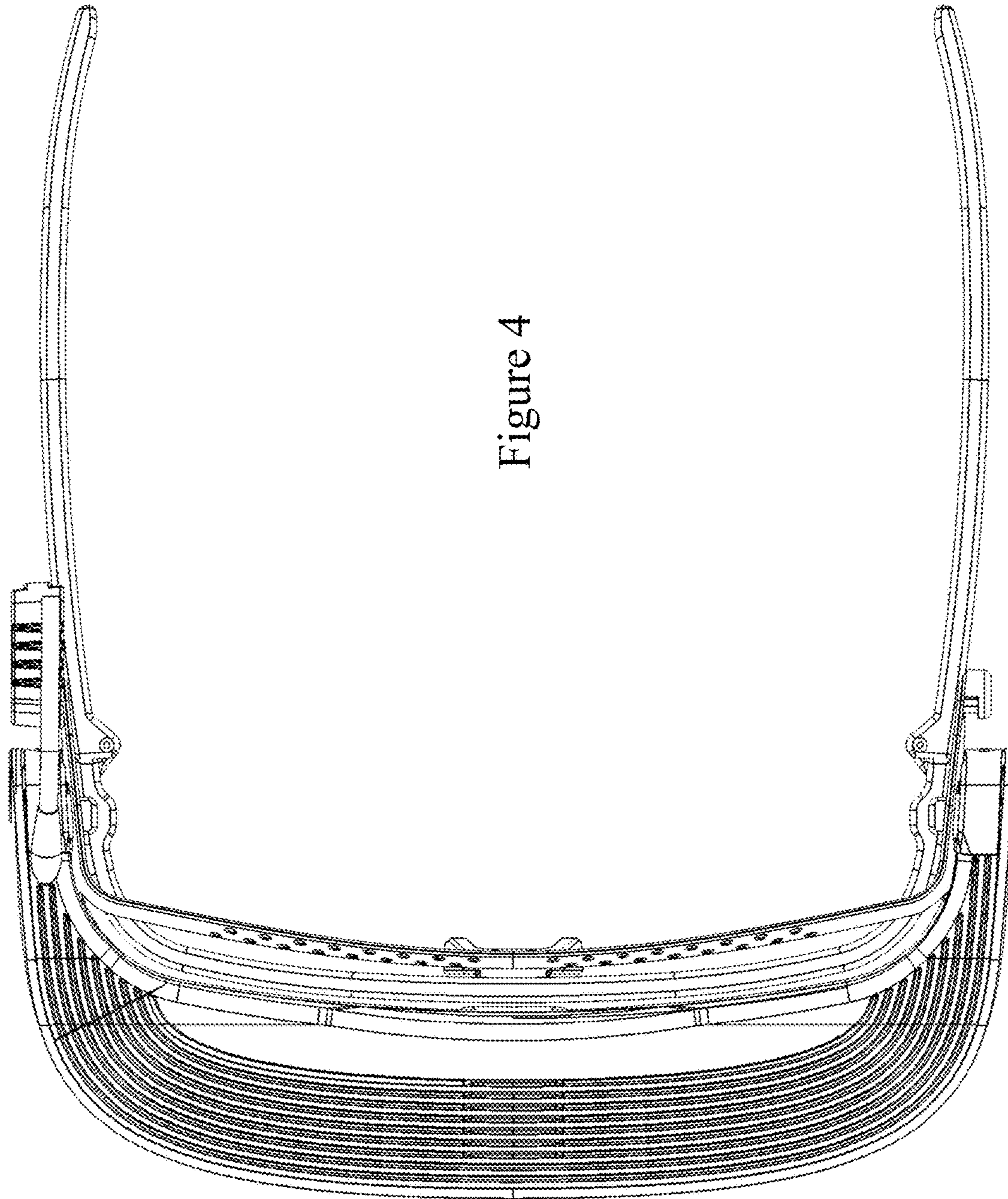


Figure 4

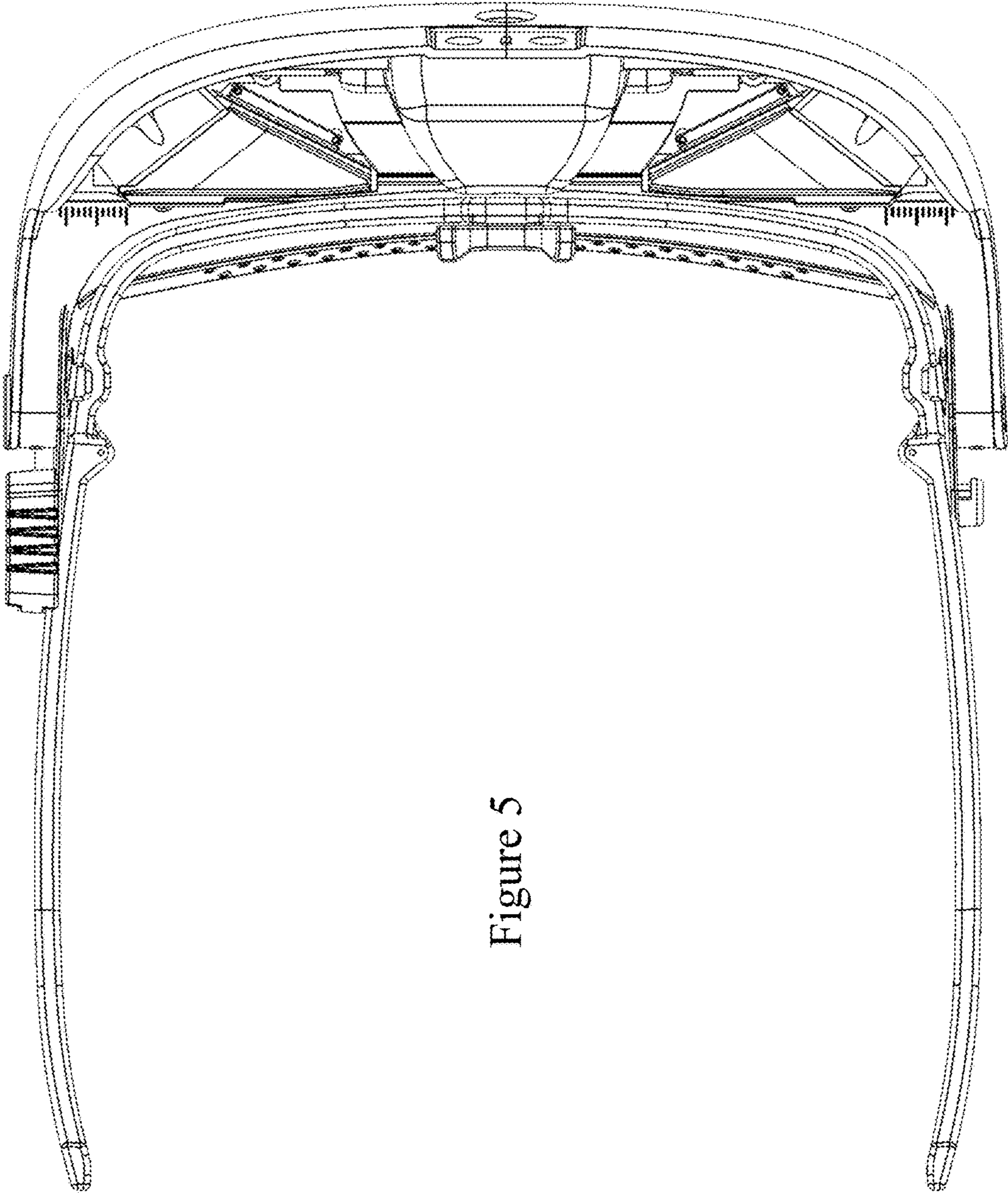


Figure 5

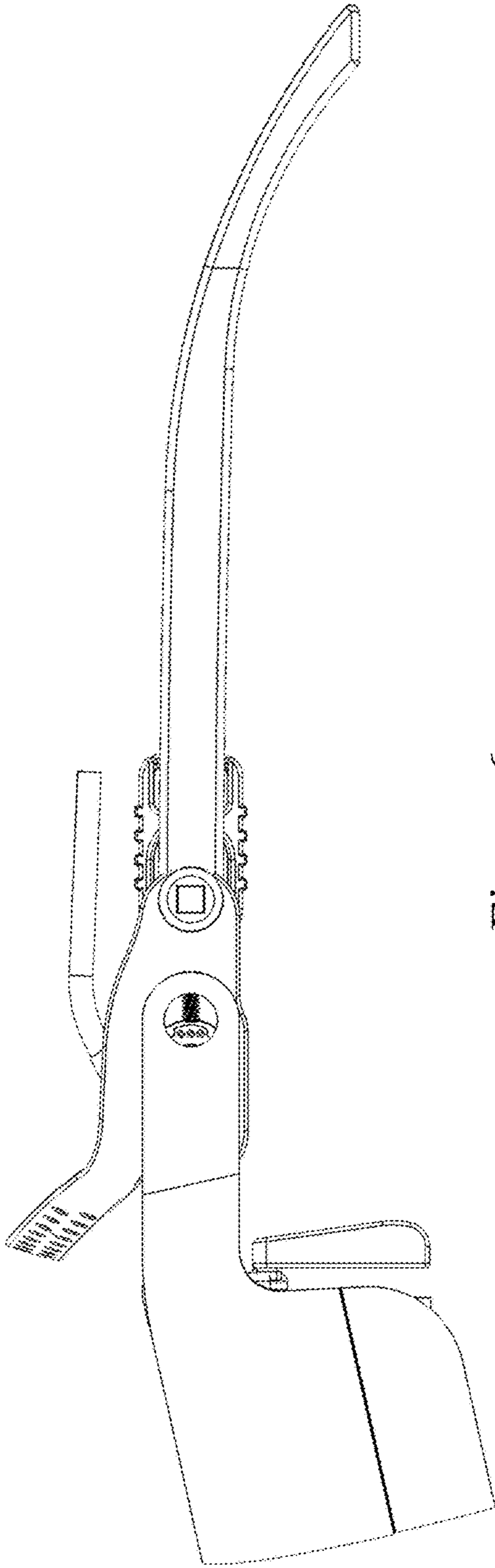


Figure 6

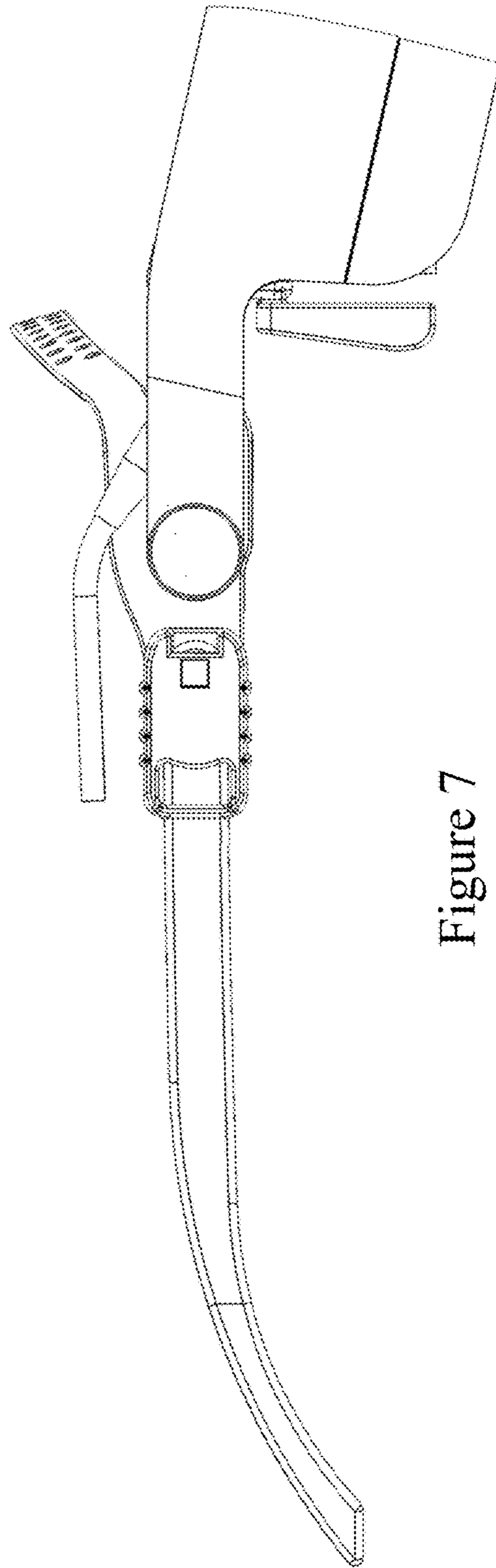


Figure 7

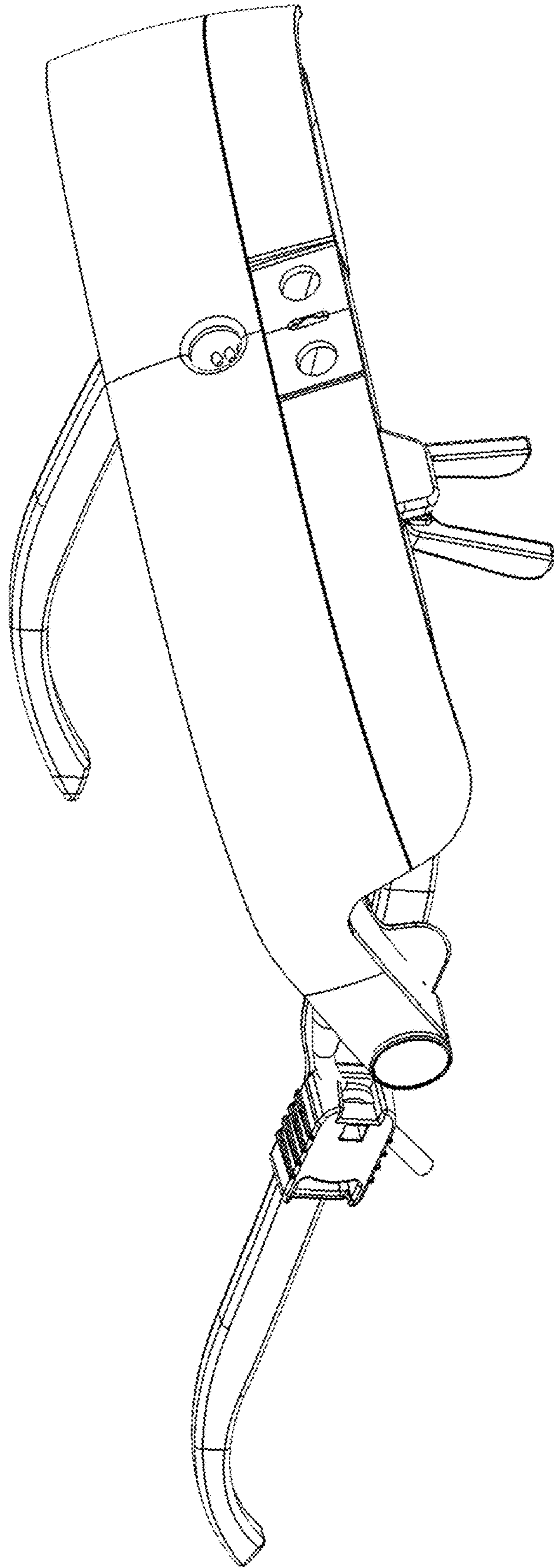


Figure 8

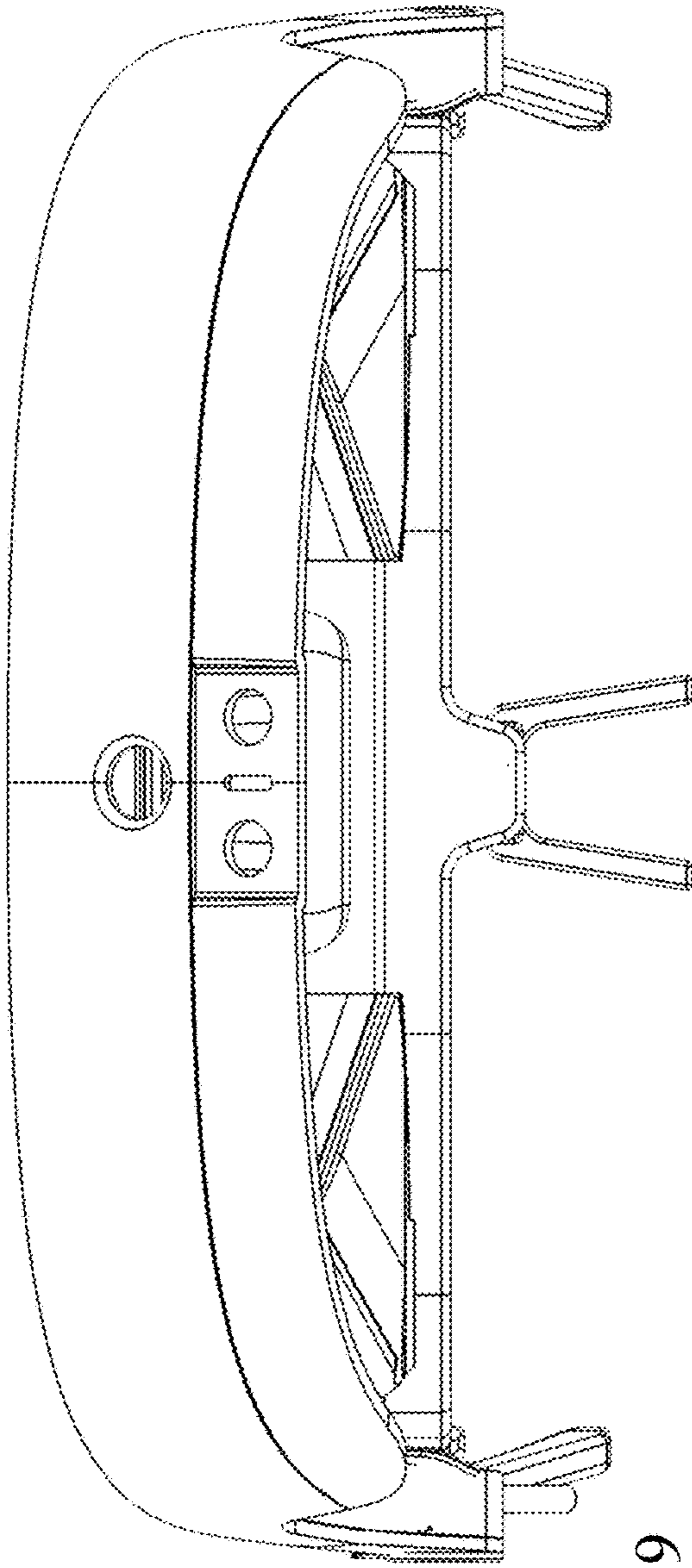


Figure 9

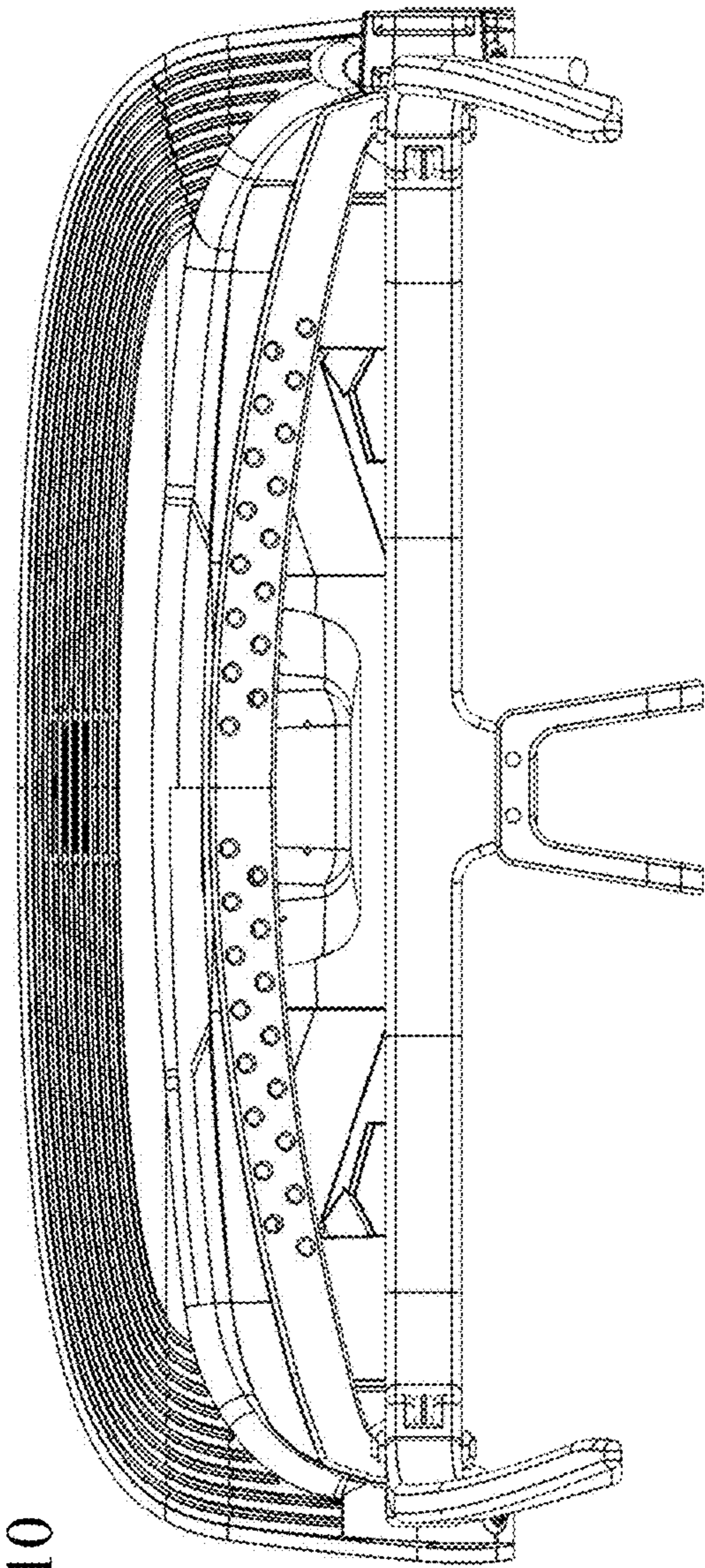


Figure 10

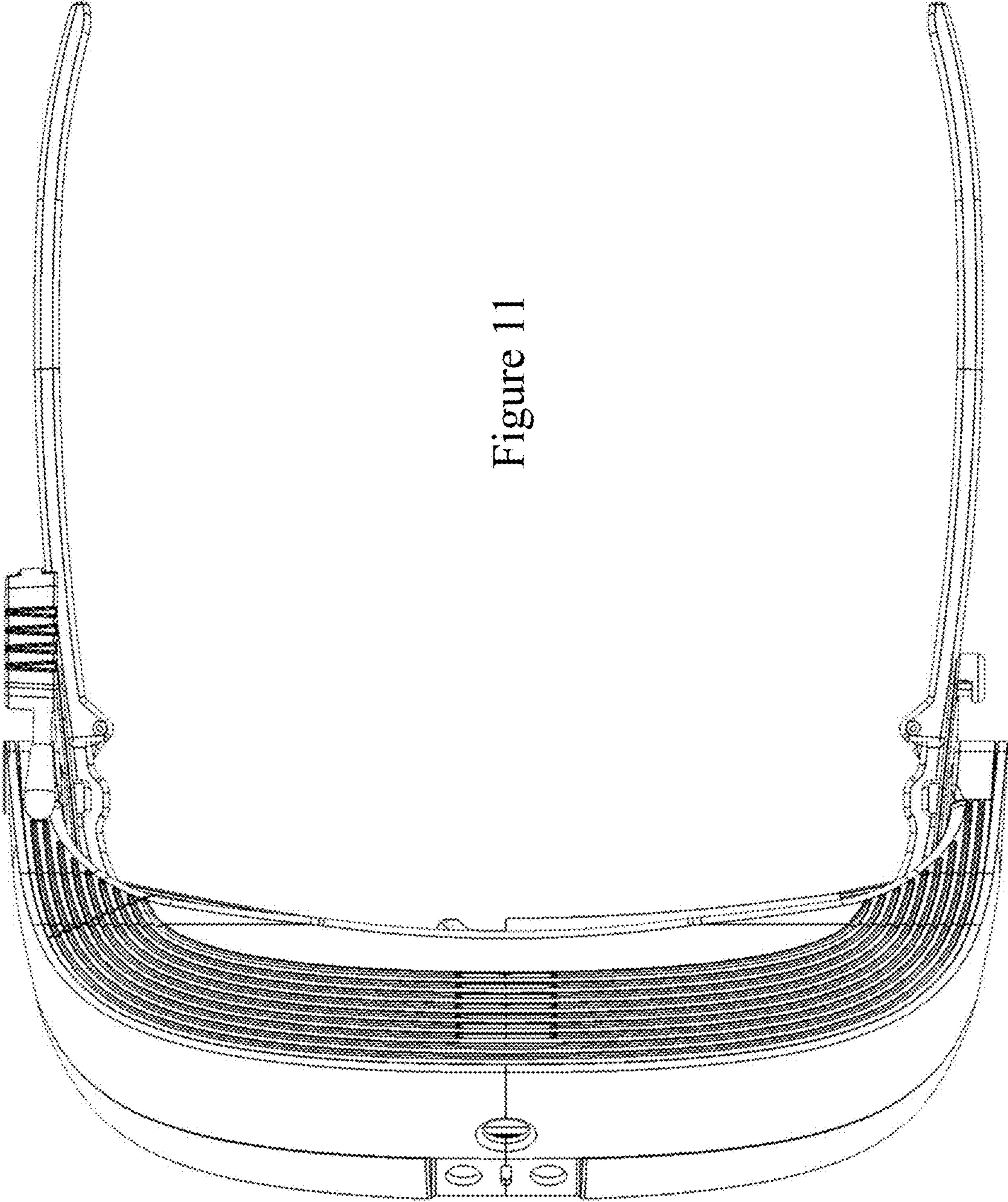


Figure 11

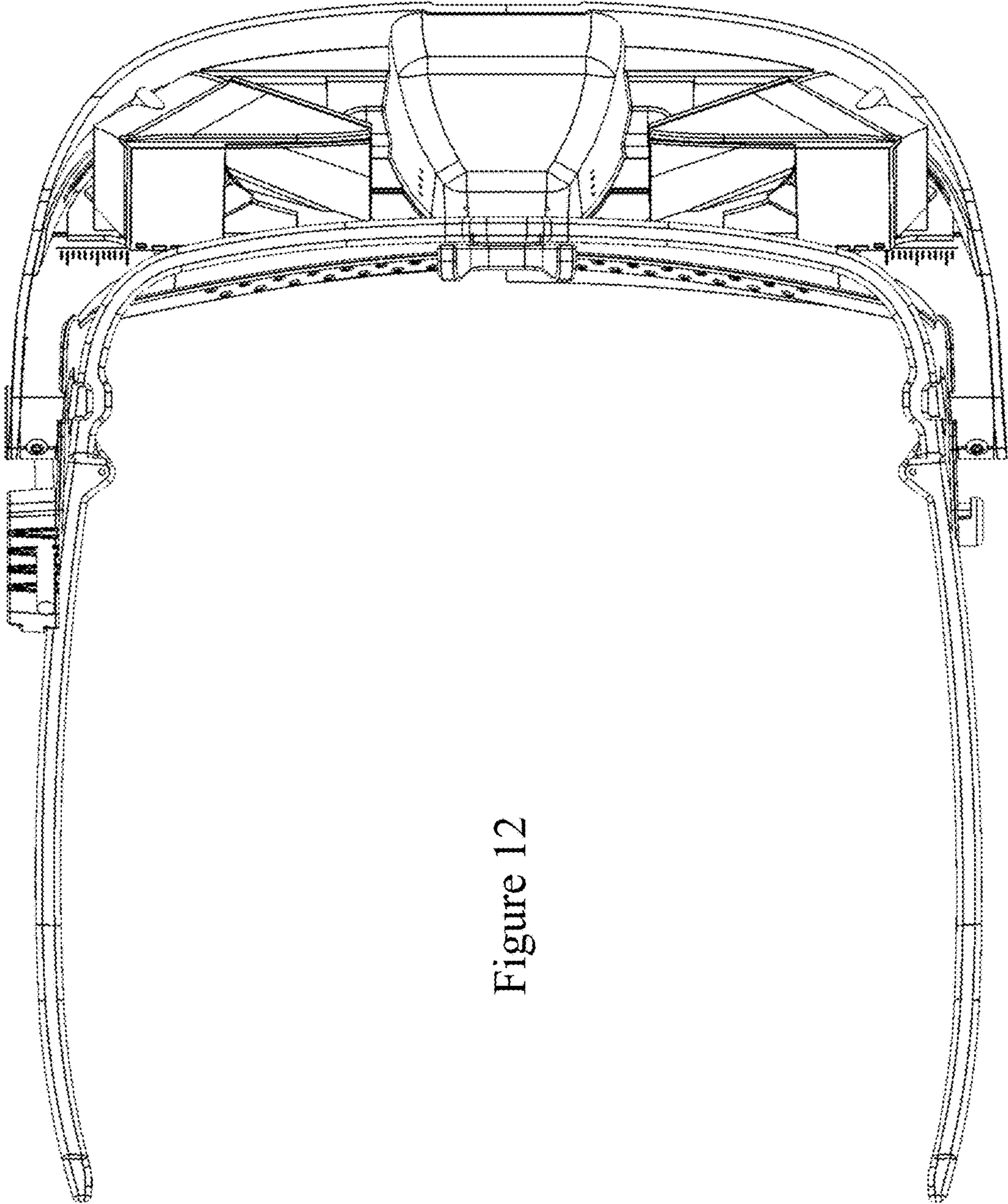


Figure 12

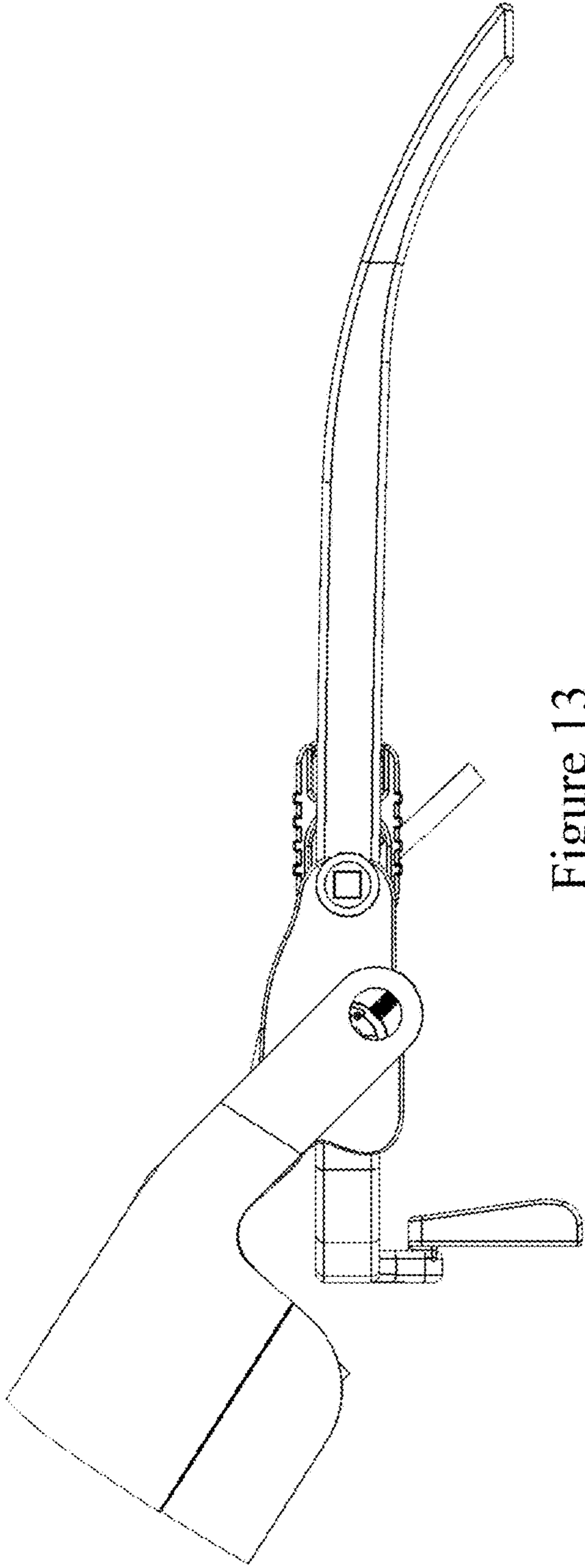


Figure 13

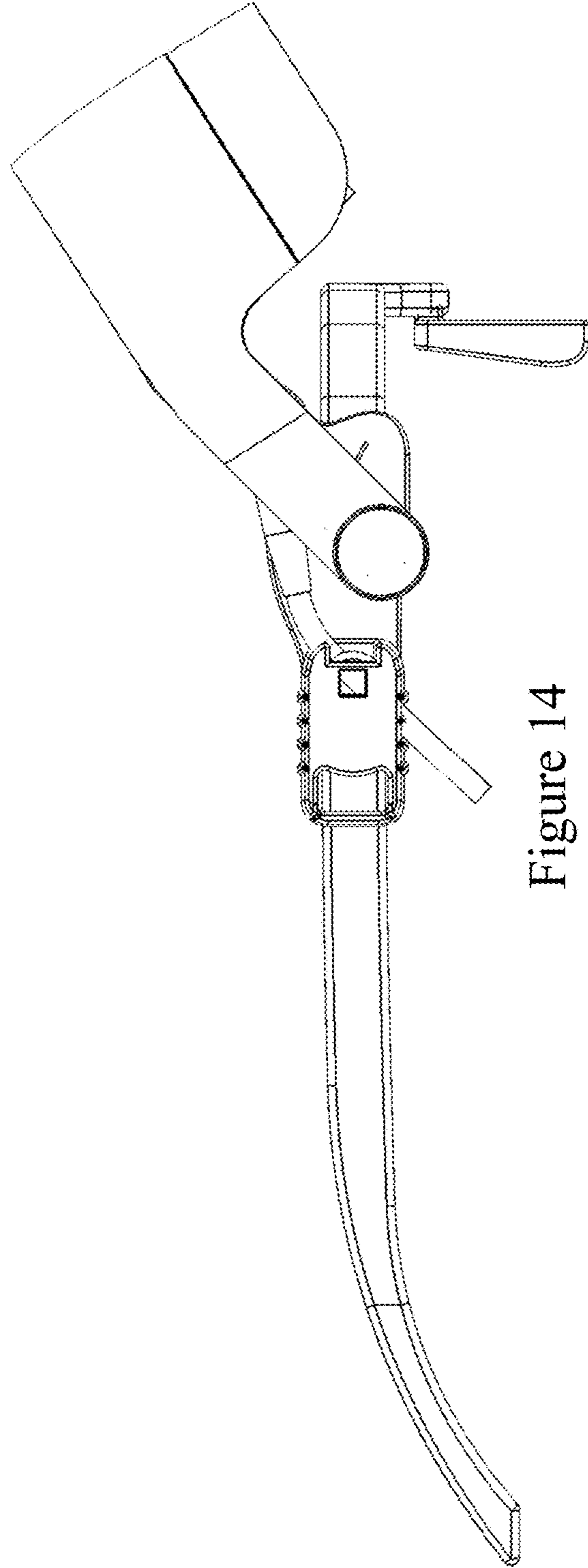


Figure 14