

US00D834016S

(12) **United States Design Patent** (10) **Patent No.:** **US D834,016 S**
Raffle et al. (45) **Date of Patent:** **** Nov. 20, 2018**

(54) **VIRTUAL REALITY HEADSET**

(71) Applicant: **GOOGLE INC.**, Mountain View, CA (US)

(72) Inventors: **Hayes S. Raffle**, Palo Alto, CA (US); **Phan Thao Benno Dang**, San Francisco, CA (US); **Maaiké Evers**, San Francisco, CA (US); **Albert Lee**, San Francisco, CA (US); **Erik Hubert Dolly Goossens**, San Francisco, CA (US); **Byeong Seon Oh**, San Francisco, CA (US); **Dan Odell**, Palo Alto, CA (US); **Michael Simonian**, San Francisco, CA (US); **Gerald Kirk McGinty, Jr.**, Santa Cruz, CA (US); **Basheer Tome**, San Francisco, CA (US)

(73) Assignee: **GOOGLE LLC**, Mountain View, CA (US)

(**) Term: **15 Years**

(21) Appl. No.: **29/565,066**

(22) Filed: **May 17, 2016**

(51) **LOC (11) Cl.** **14-02**

(52) **U.S. Cl.**
USPC **D14/372**

(58) **Field of Classification Search**
USPC D14/372, 496, 432, 371, 125, 126, 129, D14/299; D16/300-342; 351/158, 153, 351/144; 345/7-9, 905; 455/344; 348/115, 53, 121, 739
CPC G02B 27/017; G02B 27/0158; G02B 27/0161; G02B 27/0181; G02B 27/0185; G02B 27/0189

See application file for complete search history.

(56) **References Cited**

U.S. PATENT DOCUMENTS

D732,028 S *	6/2015	Kim	D14/372
D738,374 S	9/2015	Luckey et al.	
D749,580 S *	2/2016	Kim	D14/372
D752,680 S *	3/2016	Kim	D14/372
D753,111 S *	4/2016	Fei	D14/372
D759,654 S *	6/2016	Sullivan	D14/372
D764,465 S *	8/2016	Clement	D14/372
D764,466 S *	8/2016	Kim	D14/372
D771,627 S *	11/2016	Ko	D14/372
D773,460 S *	12/2016	Yang	D14/372
D775,128 S	12/2016	Zellweger et al.	
D775,129 S	12/2016	Zellweger et al.	

(Continued)

FOREIGN PATENT DOCUMENTS

CN	303746276 S	7/2016
EM	003099969-0001	5/2016
JP	1549959 S	5/2016

Primary Examiner — Austin Murphy
(74) *Attorney, Agent, or Firm* — Brake Hughes Bellermann LLP

(57) **CLAIM**

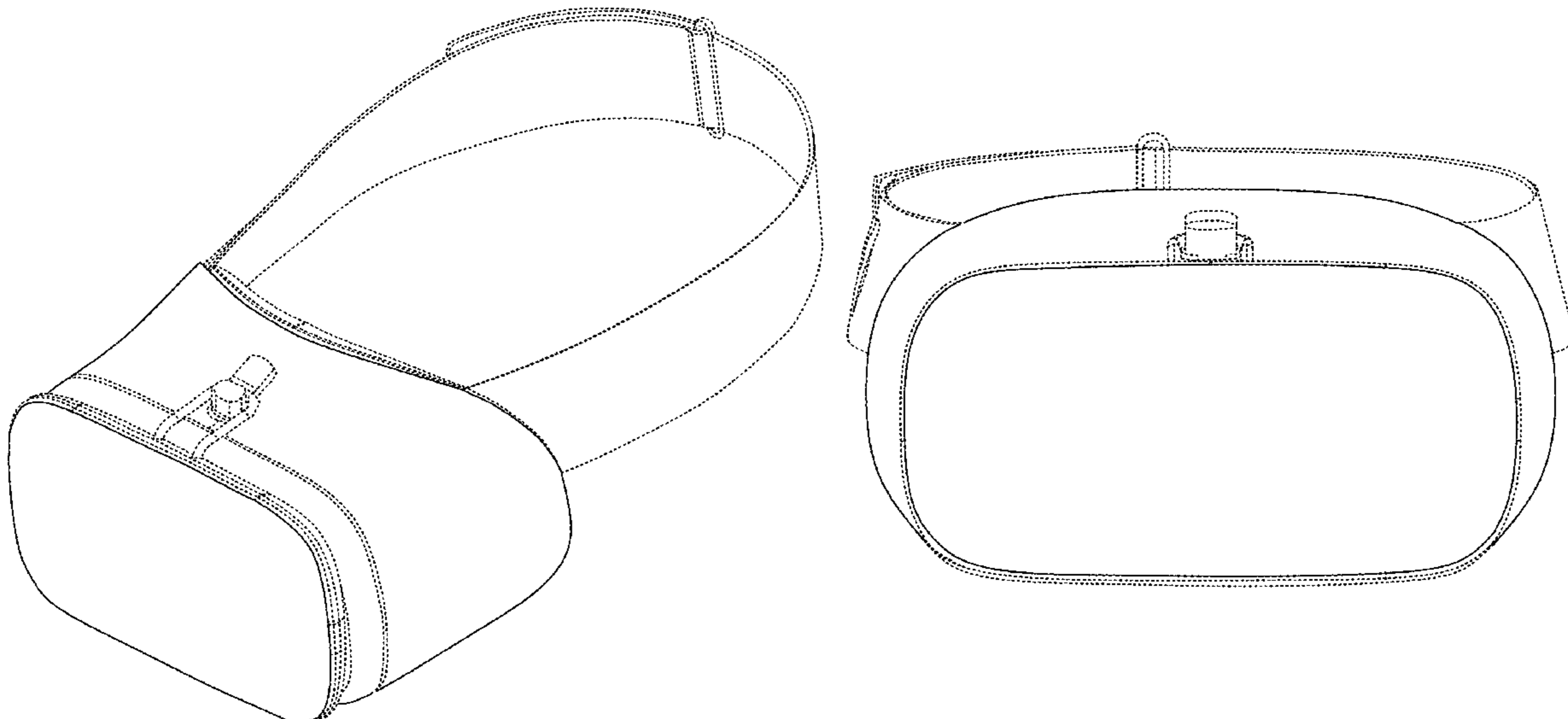
What is claimed is an ornamental design for a virtual reality headset, as shown and described herein.

DESCRIPTION

FIG. 1 is a front perspective view of a virtual reality headset; FIG. 2 is a top view thereof; FIG. 3 is a bottom view thereof; FIG. 4 is a front-side view thereof; FIG. 5 is a left-side view thereof; FIG. 6 is a right-side view thereof; and, FIG. 7 is a back-side view thereof.

Any broken lines in the drawings are for purposes of illustrating portions of the controller and form no part of the claimed design.

1 Claim, 7 Drawing Sheets



(56)

References Cited

U.S. PATENT DOCUMENTS

D776,111 S	*	1/2017	Baldassi	D14/372
D777,164 S		1/2017	Zellweger et al.	
D778,909 S	*	2/2017	Nokuo	D14/372
D779,486 S		2/2017	Zellweger et al.	
D781,290 S	*	3/2017	Kim	D14/372
D785,619 S	*	5/2017	Su	D14/372
D791,127 S	*	7/2017	Sullivan	D14/372
D791,129 S	*	7/2017	Sullivan	D14/372
D792,399 S	*	7/2017	Thomas	D14/372
D800,117 S		10/2017	Yee et al.	
D801,970 S	*	11/2017	Sullivan	D14/372
D805,514 S	*	12/2017	Clement	D14/372
D805,515 S	*	12/2017	Bowes	D14/372
D807,354 S		1/2018	Yee et al.	
D810,742 S		2/2018	Robertson et al.	
D810,743 S		2/2018	Yee et al.	

* cited by examiner

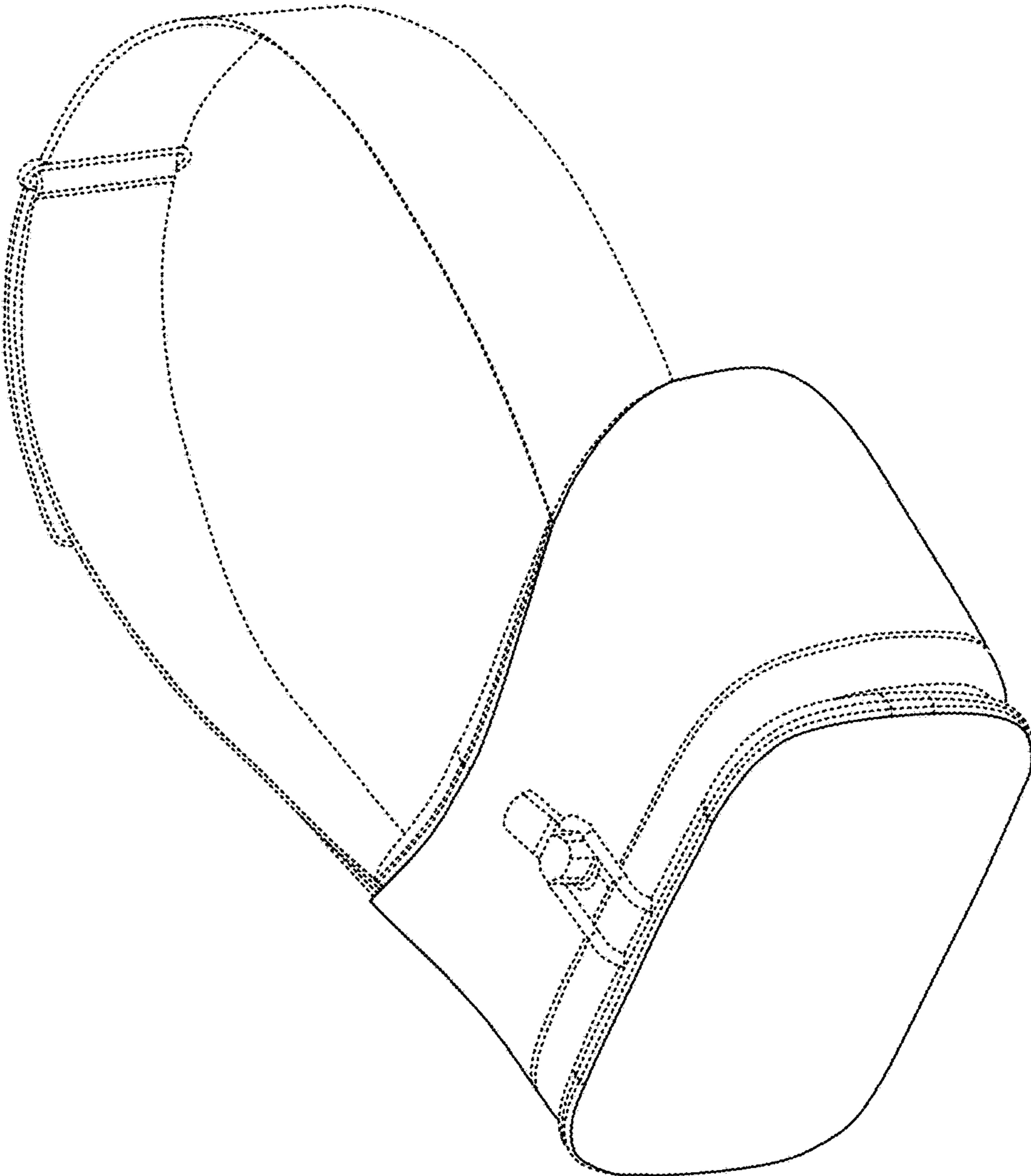


FIG. 1

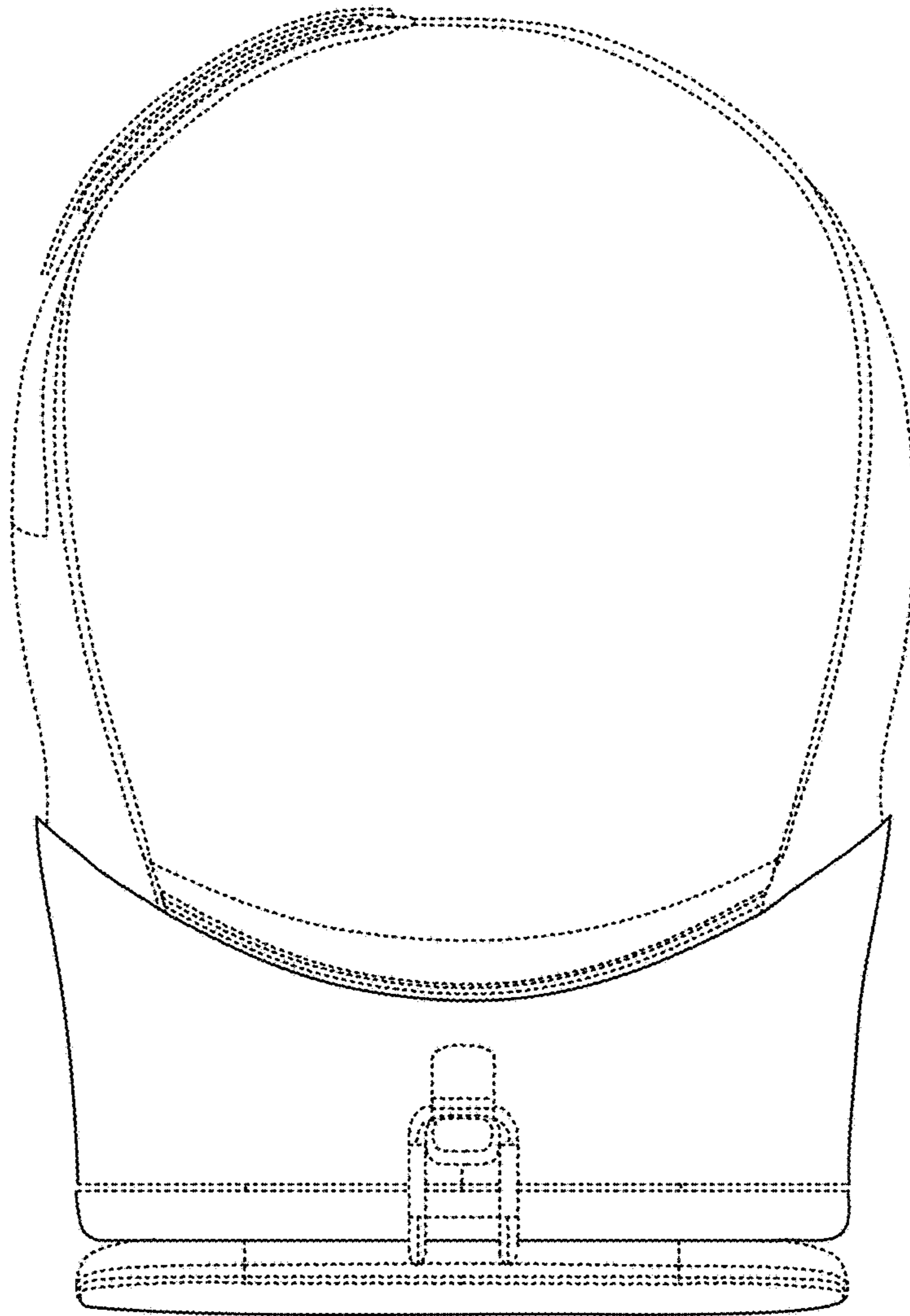


FIG. 2

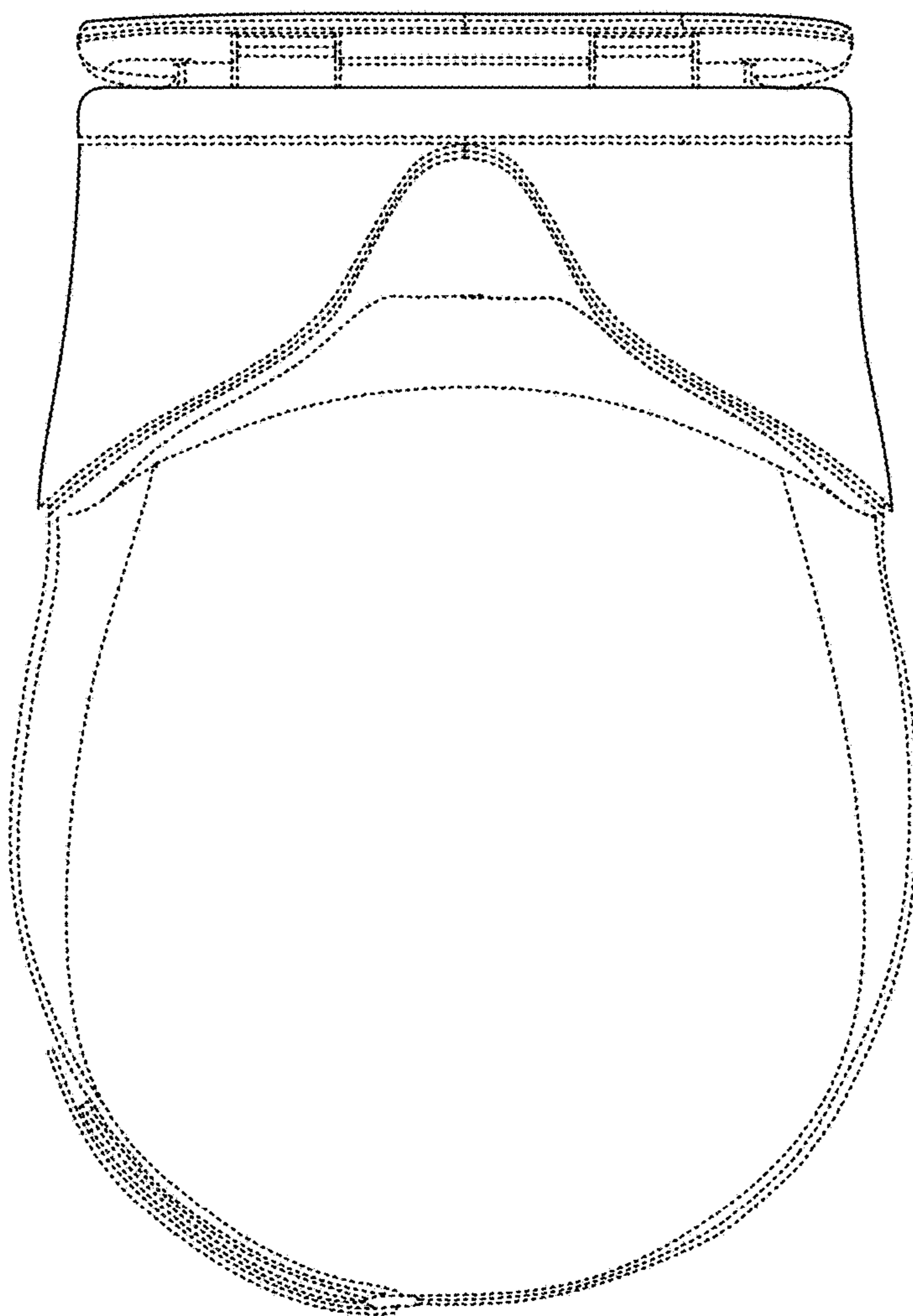


FIG. 3

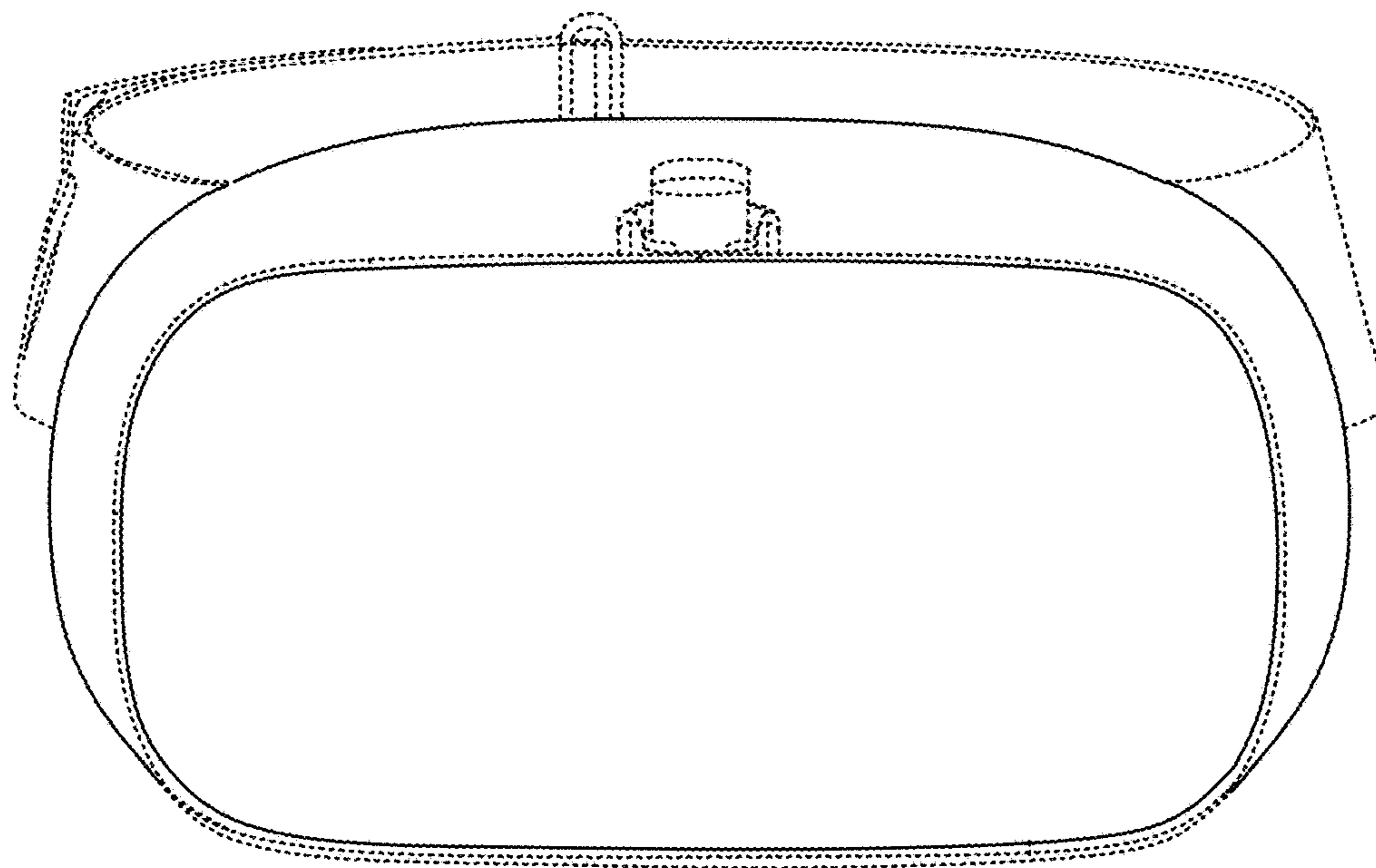


FIG. 4

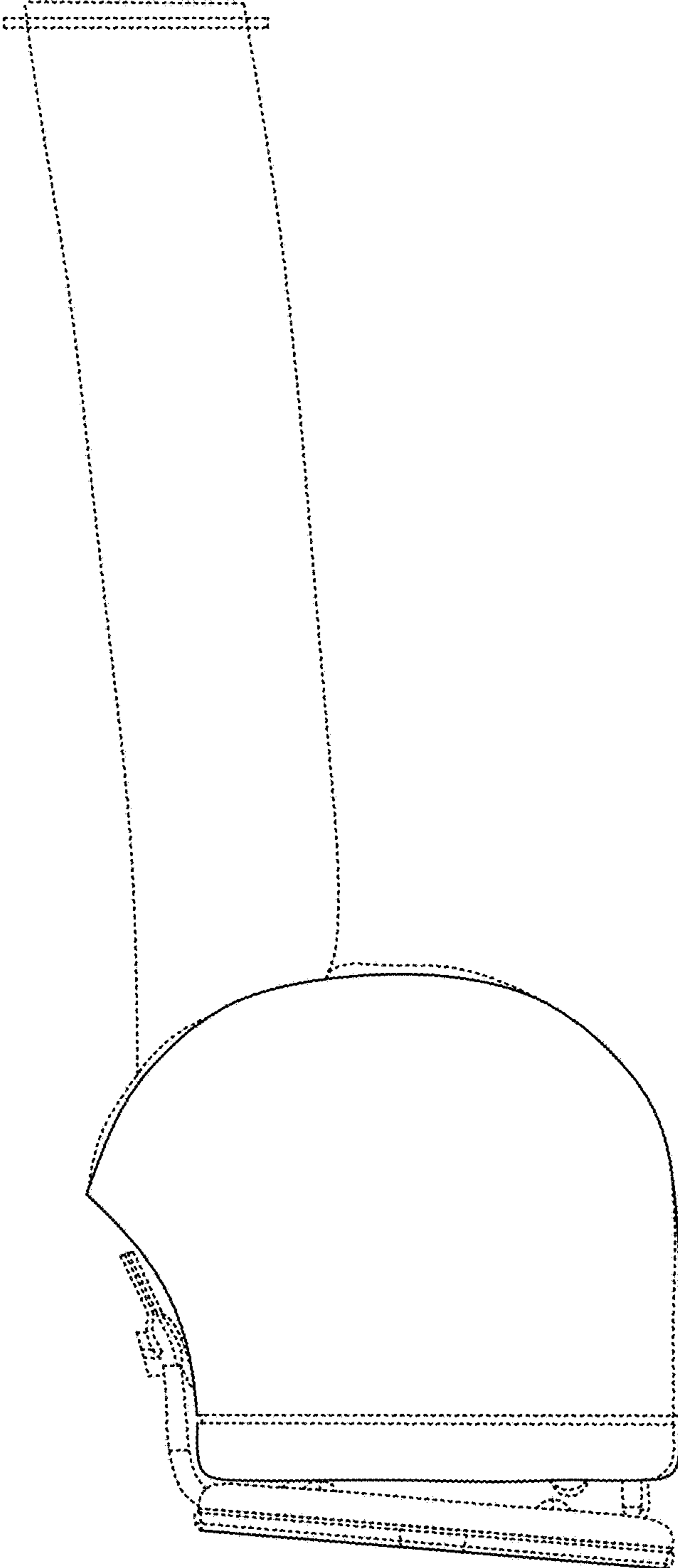


FIG. 5

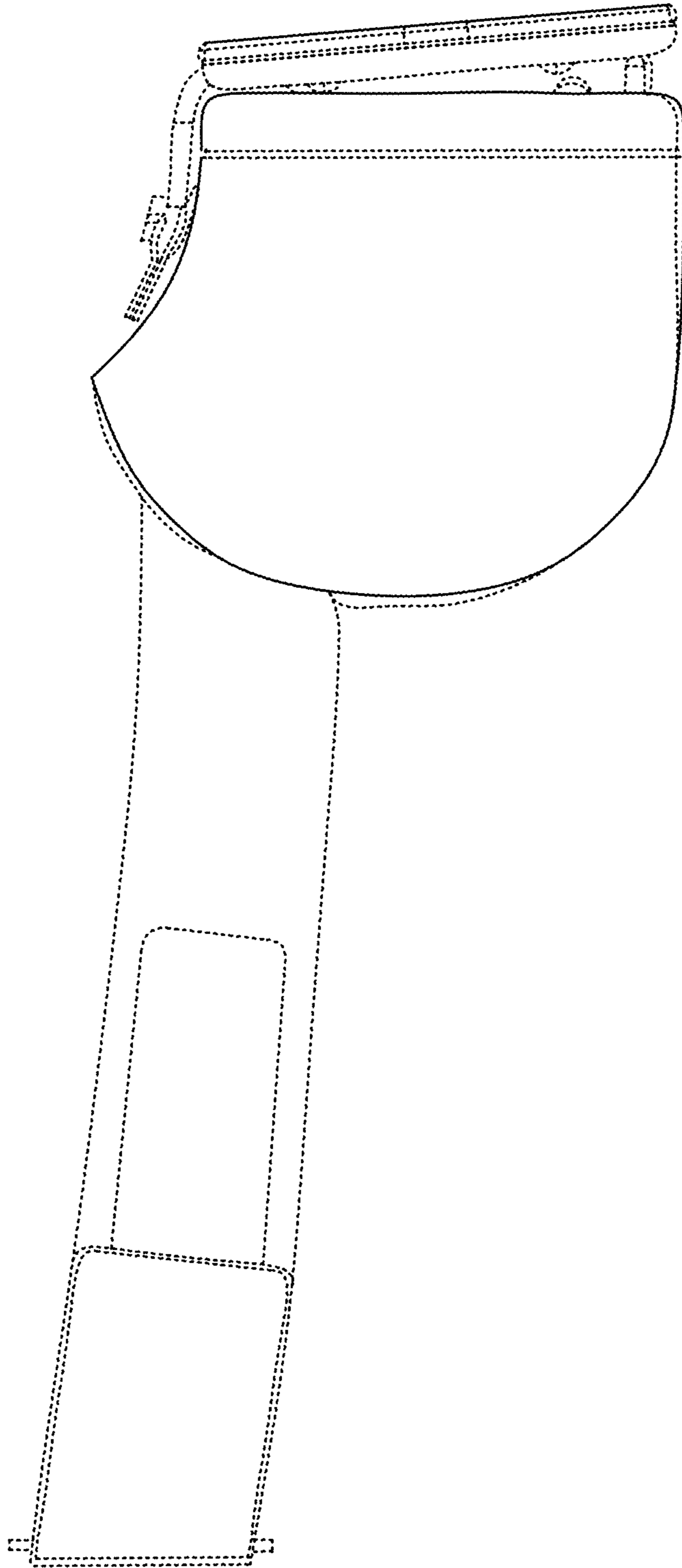


FIG. 6

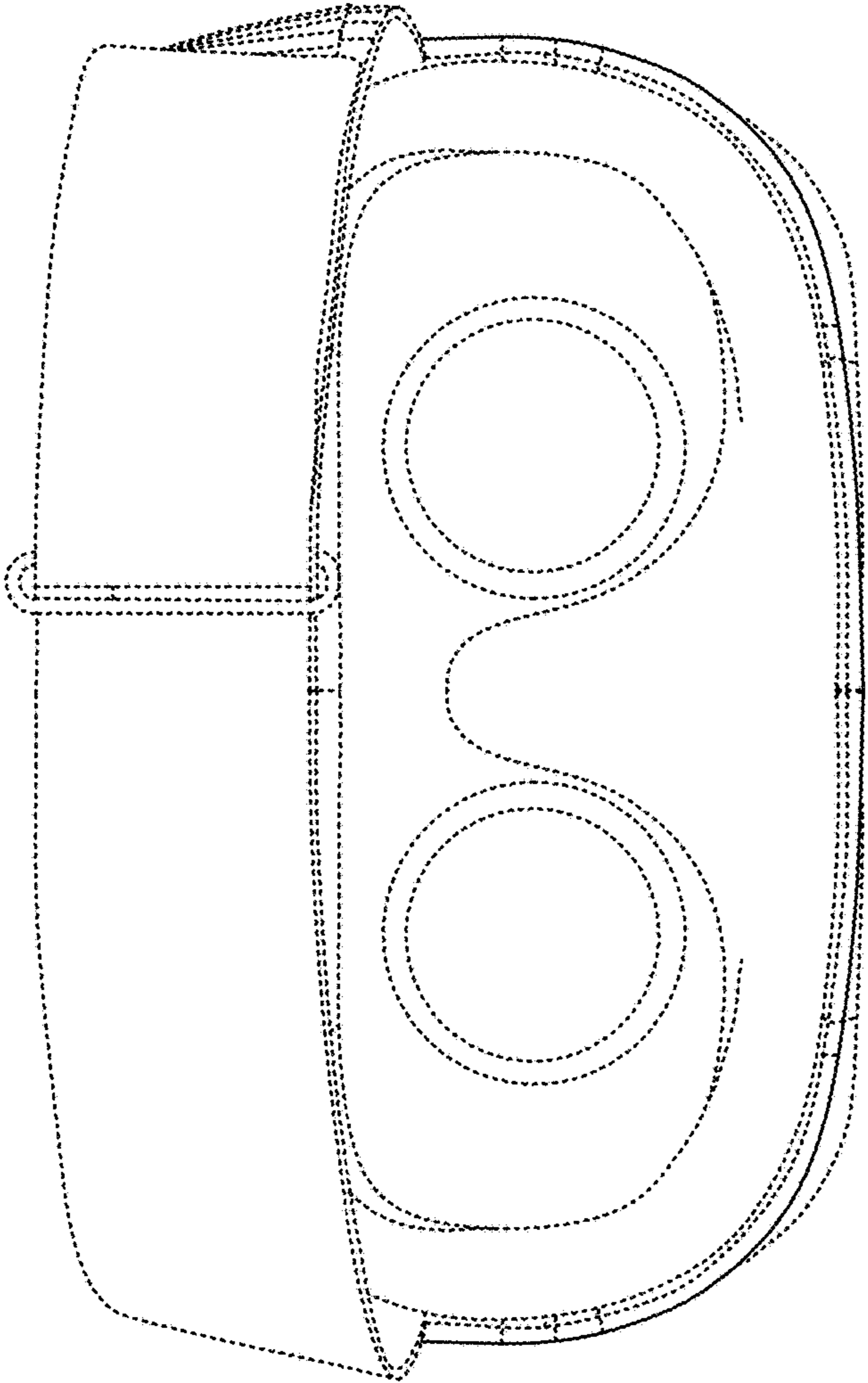


FIG. 7