



US00D834014S

(12) **United States Design Patent** (10) **Patent No.:** **US D834,014 S**
Jung et al. (45) **Date of Patent:** **** Nov. 20, 2018**

(54) **SMART WATCH**
(71) Applicant: **LG ELECTRONICS INC.**, Seoul (KR)
(72) Inventors: **Kwanju Jung**, Seoul (KR); **Jaehyeok Park**, Seoul (KR)
(73) Assignee: **LG ELECTRONICS INC.**, Seoul (KR)

D507,499 S * 7/2005 Bulgari D10/32
D509,449 S * 9/2005 Scheufele D10/39
D519,858 S * 5/2006 Migliorati D10/39
D533,470 S * 12/2006 Krieger D10/39
D534,084 S * 12/2006 Linde D10/39
D583,682 S * 12/2008 Blank D10/32
D587,139 S * 2/2009 Armani D10/30
D600,140 S * 9/2009 Giannini D10/32
D668,967 S * 10/2012 Duport D10/32
D790,374 S * 6/2017 Lean D10/39
D803,210 S * 11/2017 Bang D14/344

* cited by examiner

(**) Term: **15 Years**

(21) Appl. No.: **35/502,198**

(22) Filed: **Jun. 24, 2016**

(80) **Hague Agreement Data**

Int. Filing Date: **Jun. 24, 2016**
Int. Reg. No.: **DM/093180**
Int. Reg. Date: **Jun. 24, 2016**
Int. Reg. Pub. Date: **Dec. 30, 2016**

(30) **Foreign Application Priority Data**

Dec. 29, 2015 (KR) 30-2015-0066860

(51) **LOC (11) Cl.** **14-02**

(52) **U.S. Cl.**
USPC **D14/344**

(58) **Field of Classification Search**
USPC D14/344, 358, 138 R, 144; D10/30-39
CPC G04G 9/00; G04G 17/00; G04G 17/04;
G04G 17/06; G04G 17/083
See application file for complete search history.

(56) **References Cited**

U.S. PATENT DOCUMENTS

D506,685 S * 6/2005 Yamamoto D10/32
D506,936 S * 7/2005 Takahashi D10/32

Primary Examiner — Michael A. Pratt
(74) *Attorney, Agent, or Firm* — Birch, Stewart, Kolasch & Birch, LLP

(57) **CLAIM**

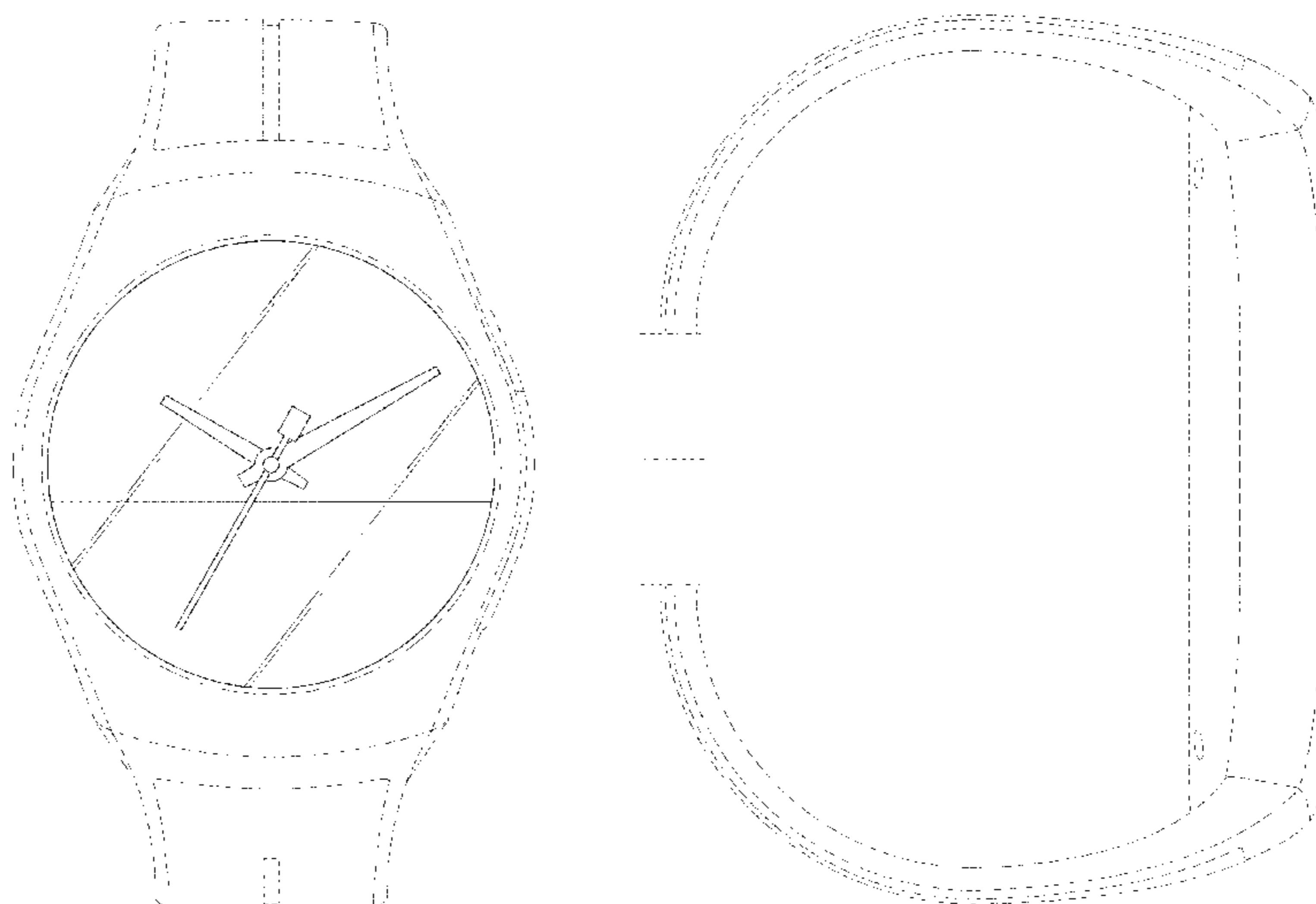
The ornamental design for a smart watch, as shown and described.

DESCRIPTION

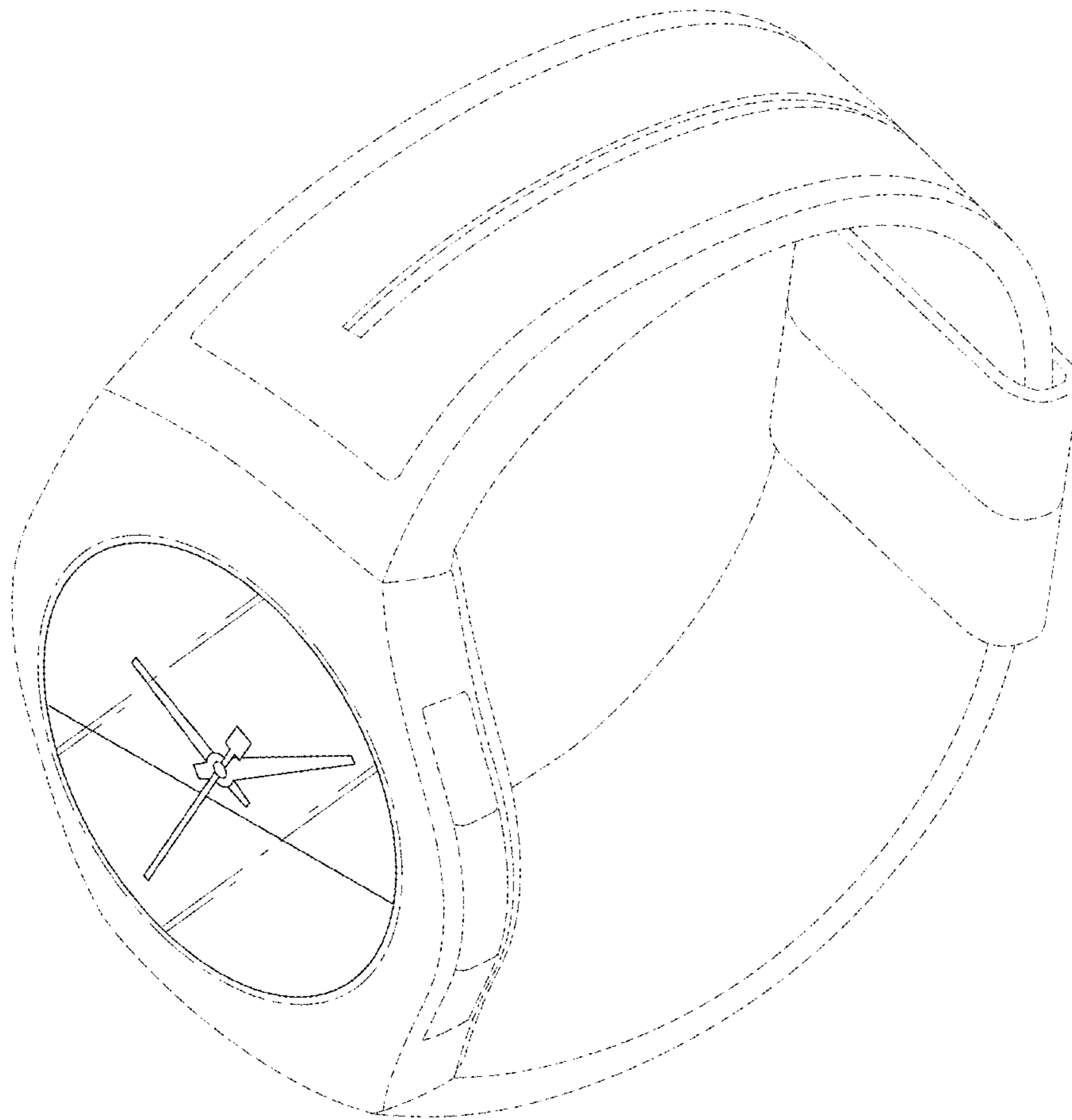
- 1. Smart watch
- 1.1 : Perspective
- 1.2 : Front
- 1.3 : Back
- 1.4 : Left
- 1.5 : Right
- 1.6 : Top
- 1.7 : Bottom
- 1.8 : Another front view

The broken lines depict portions of the smart watch that form no part of the claimed design; the dash-dot broken lines define the bounds of the claimed design and form no part thereof.

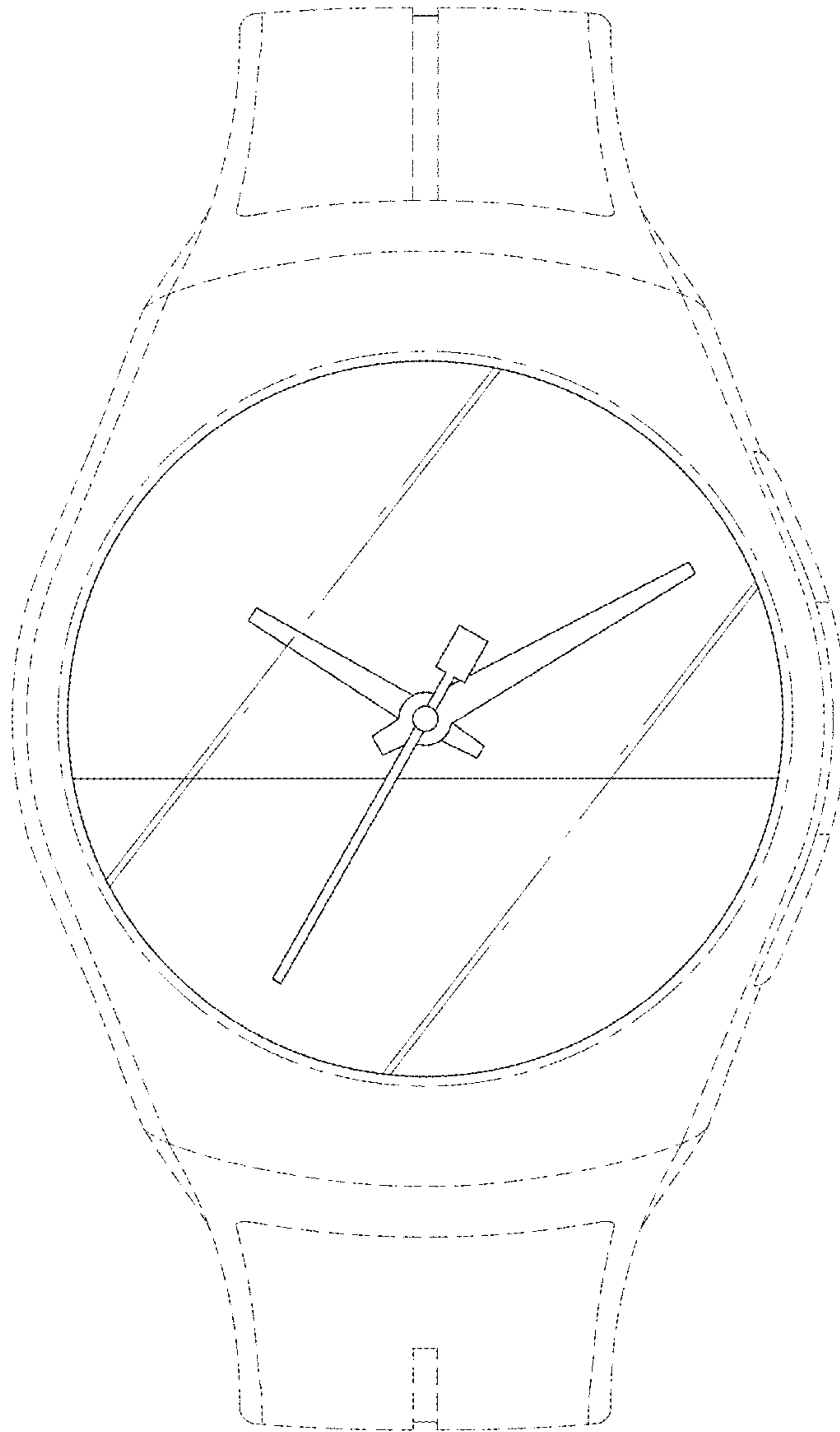
1 Claim, 8 Drawing Sheets



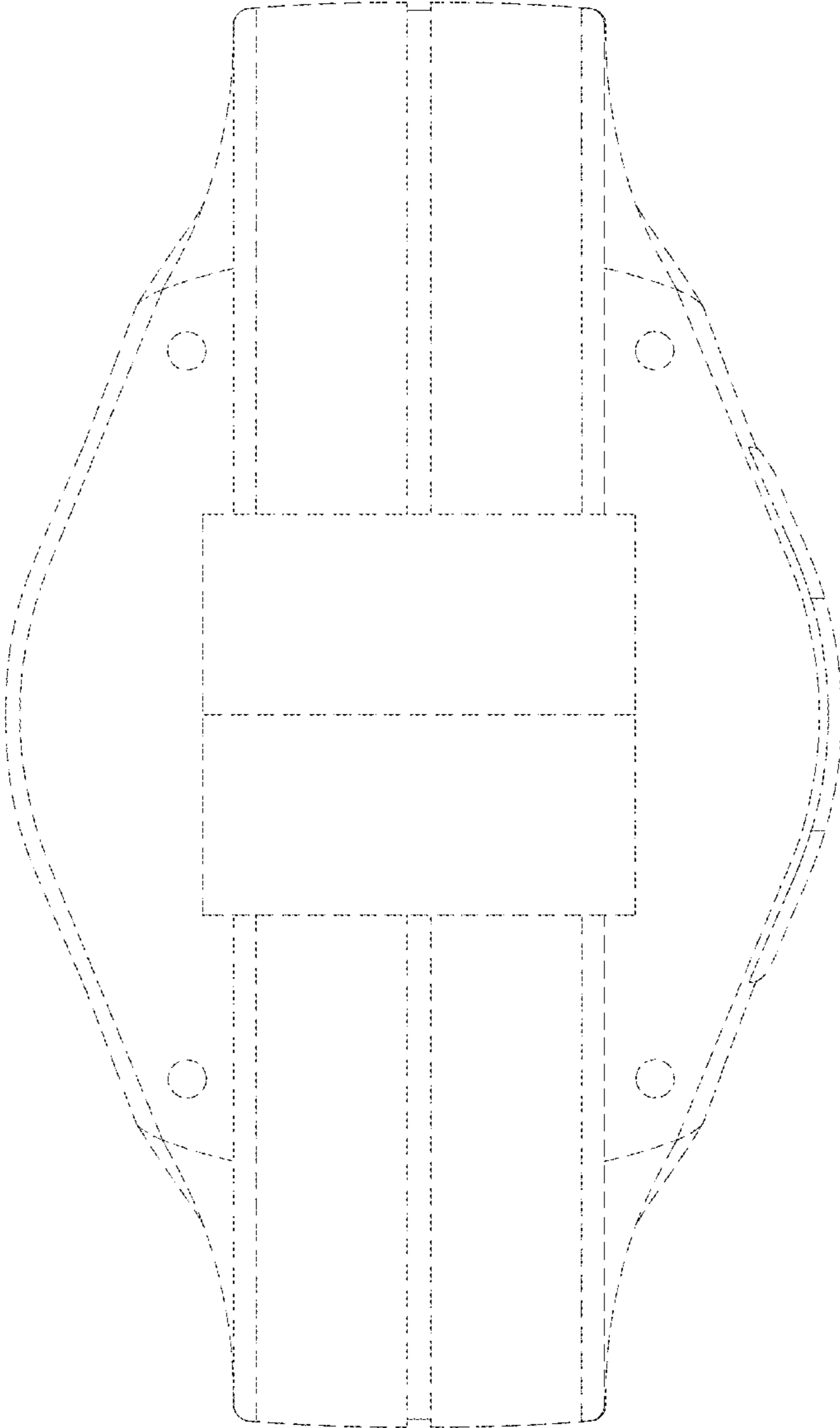
1.1



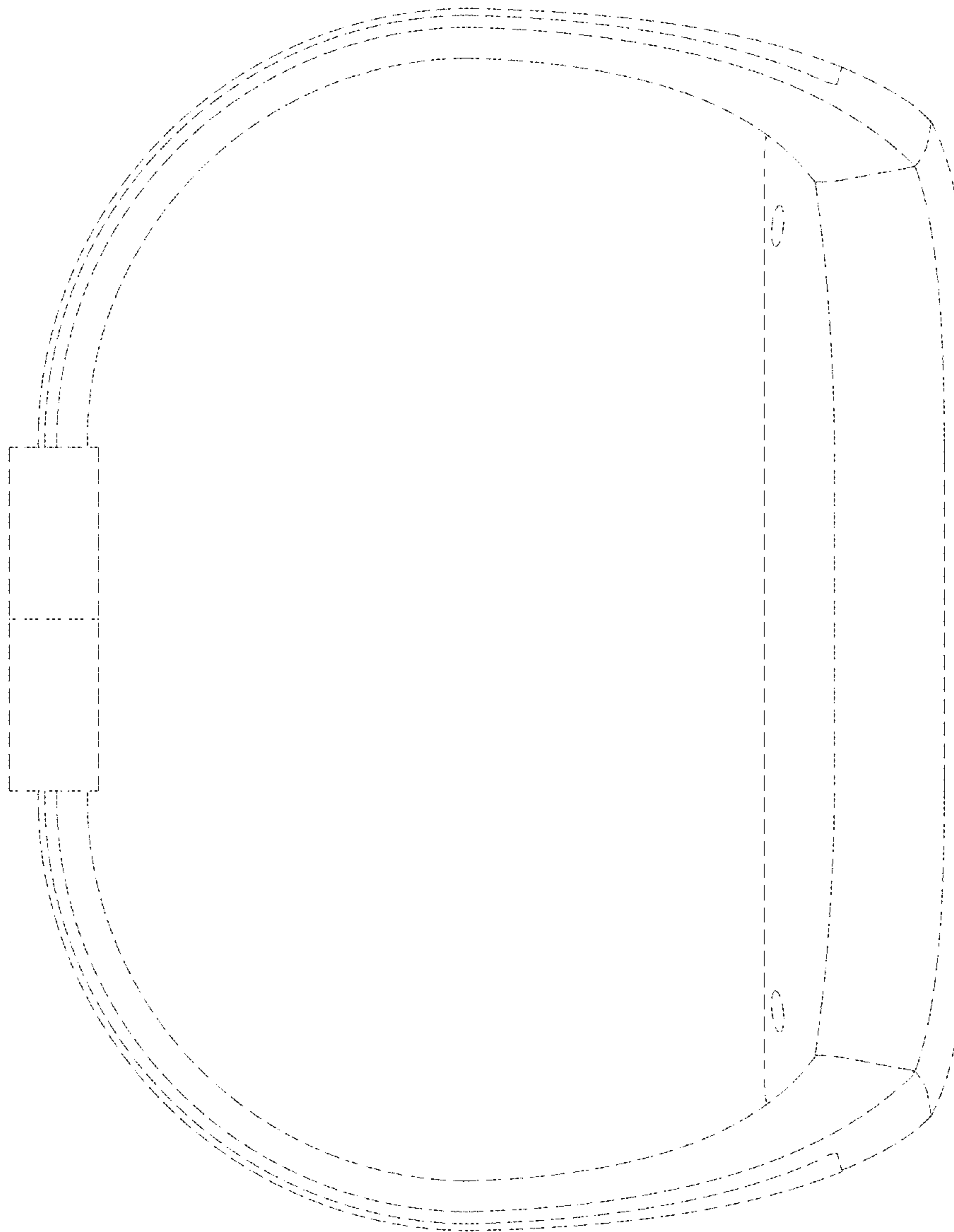
1.2



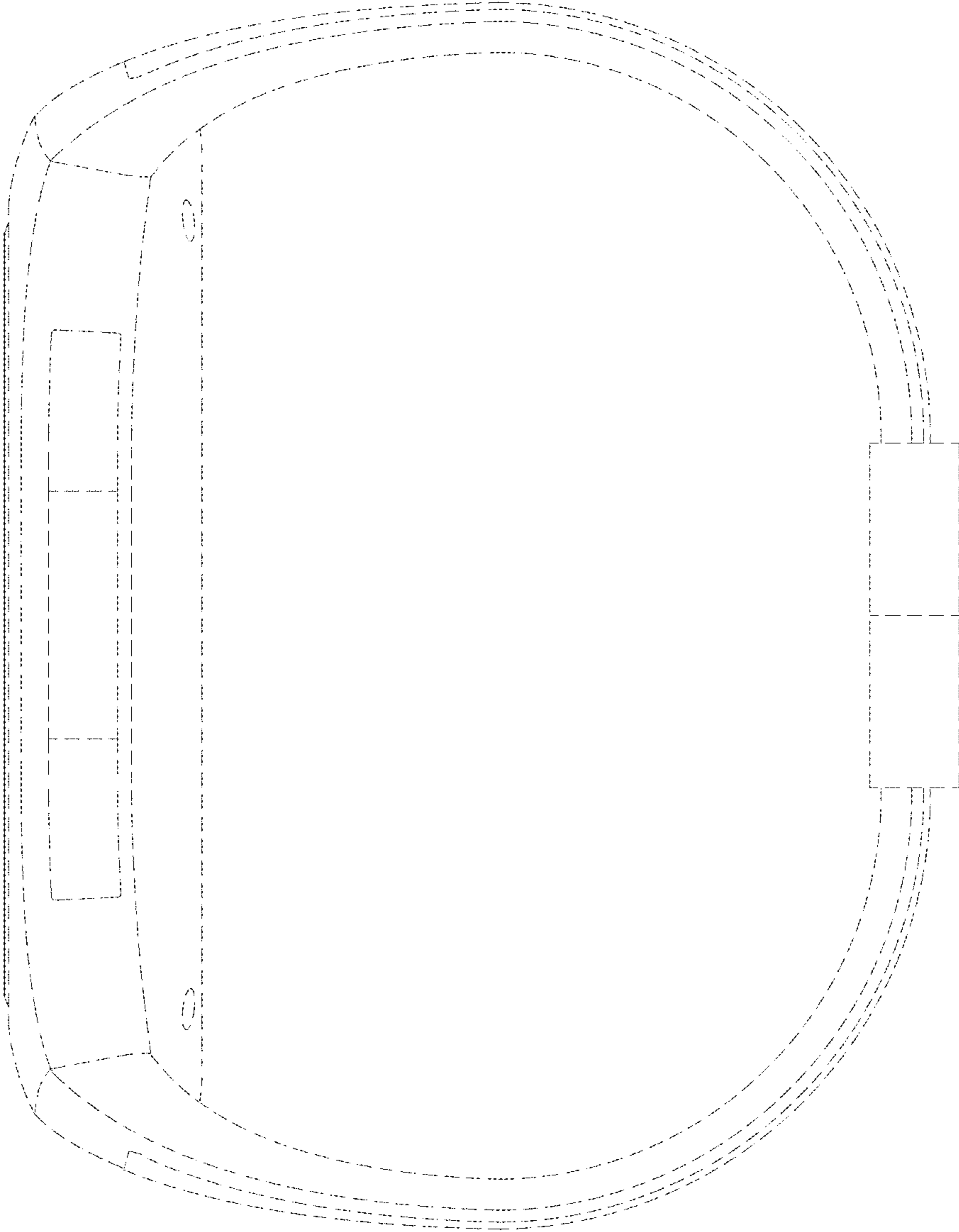
1.3



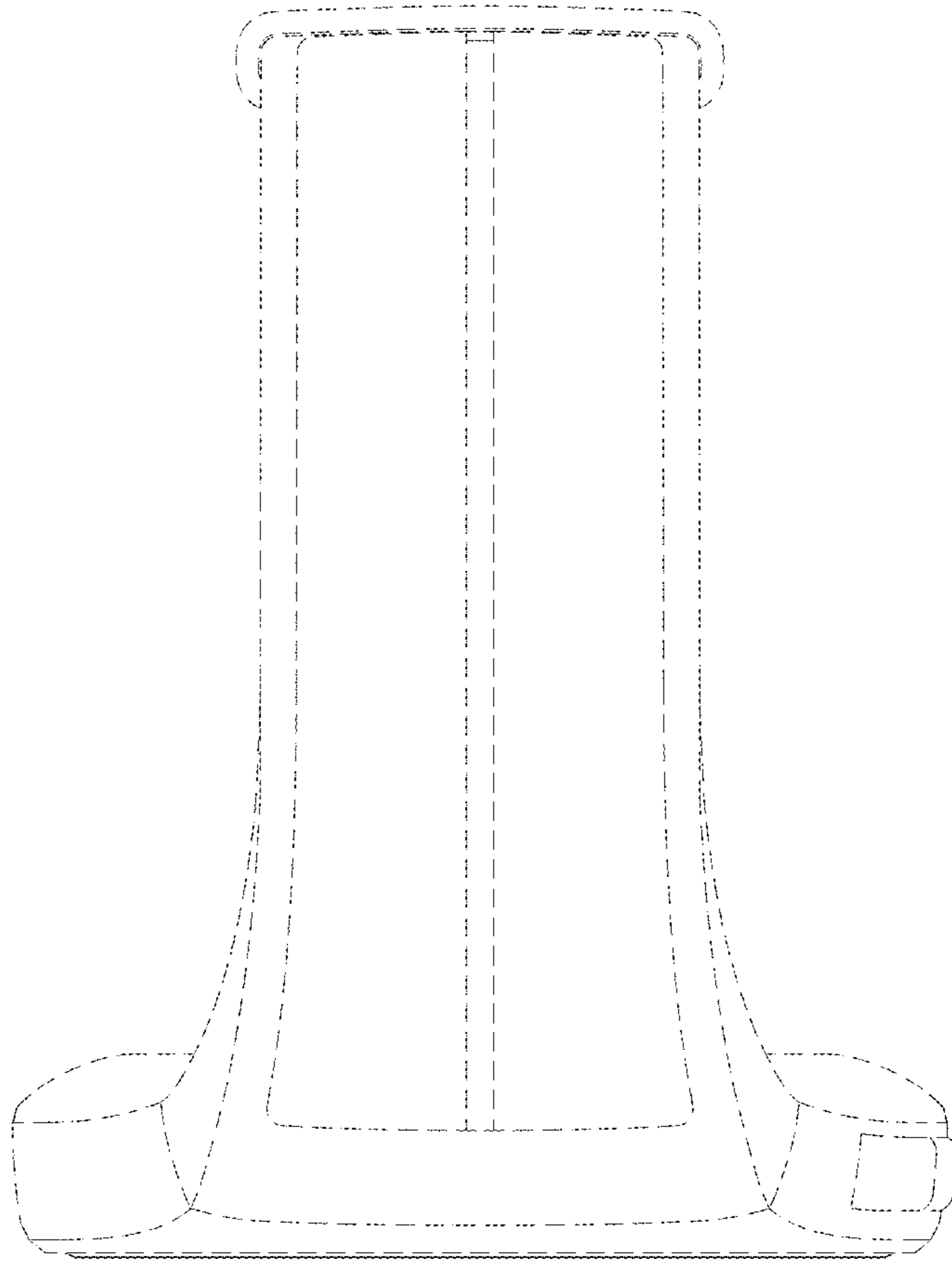
1.4



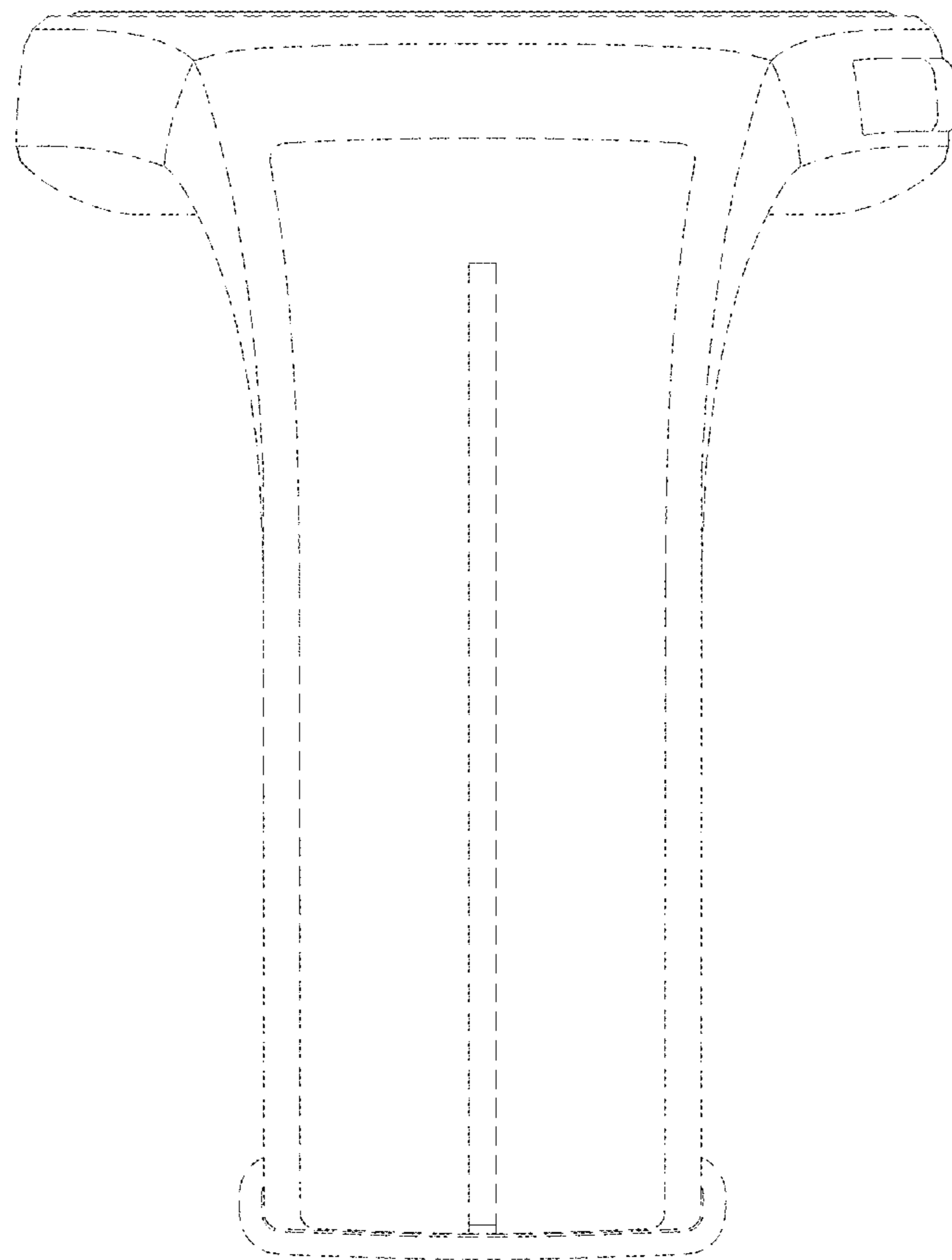
1.5



1.6



1.7



1.8

