



US00D834012S

(12) **United States Design Patent** (10) **Patent No.:** **US D834,012 S**
Bolmstrand (45) **Date of Patent:** **** Nov. 20, 2018**

(54) **ELECTRONIC NOTICE BOARD**

(71) Applicant: **EVOKO UNLIMITED AB**, Nacka (SE)

(72) Inventor: **Per Bolmstrand**, Bromma (SE)

(73) Assignee: **Evoko Unlimited AB**, Nacka (SE)

(**) Term: **15 Years**

(21) Appl. No.: **35/502,507**

(22) Filed: **Aug. 30, 2016**

(80) **Hague Agreement Data**

Int. Filing Date: **Aug. 30, 2016**

Int. Reg. No.: **DM/092506**

Int. Reg. Date: **Aug. 30, 2016**

Int. Reg. Pub. Date: **Mar. 3, 2017**

(51) **LOC (11) Cl.** **14-02**

(52) **U.S. Cl.**

USPC **D14/336**

(58) **Field of Classification Search**

USPC D14/125-129, 137, 138 AA, 138 AB, D14/138 G, 138 C, 138 R, 154, 159-165, D14/167, 168, 170-172, 188, 192, 194, D14/203.1, 203.3, 203.4, 203.7, 204, 205, D14/207, 214-216, 223, 224, 238.1, 239, D14/248, 250, 251, 253, 308, 317, 331, D14/336, 337, 341-347, 371-377, 388, D14/389, 420, 432, 439, 440, 447, 448, D14/451, 452, 457, 496; D6/308, 310, D6/406.1-406.6, 601; D10/104.1, 50, 65; D21/329-332; D13/108

CPC G06F 1/1601; G06F 1/1605; G06F 1/162; G06F 1/1613; G06F 1/1647; G06F 1/1641; G06F 1/1616; G06F 1/1652; G06F 3/04883; G06F 3/0486; G06F 3/0487; G06F 3/0484; H04M 1/0214; H04R 1/02; H04R 5/00; H04R 9/06; G08B 21/0288; G08B 21/02; F16M 11/00

See application file for complete search history.

(56) **References Cited**

U.S. PATENT DOCUMENTS

D492,684 S * 7/2004 Ozolins D14/374
D497,364 S * 10/2004 Ozolins D14/374
D500,037 S * 12/2004 Ozolins D14/375
D502,156 S * 2/2005 Senda D14/129

(Continued)

FOREIGN PATENT DOCUMENTS

EM D092506-001 * 3/2017

OTHER PUBLICATIONS

Evoko Liso, announced Aug. 1, 2016 [online], [retrieved Jan. 23, 2018]. Available from Internet, URL: <<https://web.archive.org/web/20160801203340/http://www.evoko.se:80/downloads>>.*

(Continued)

Primary Examiner — Barbara Fox

Assistant Examiner — Dana K Weiland

(74) *Attorney, Agent, or Firm* — Studebaker & Brackett PC

(57) **CLAIM**

The ornamental design for an electronic notice board, as shown and described.

DESCRIPTION

1. Electronic notice board

1.1 is a front perspective view of an electronic notice board showing the new design;

1.2 is the rear perspective view thereof;

1.3 is the front view thereof;

1.4 is the rear view thereof;

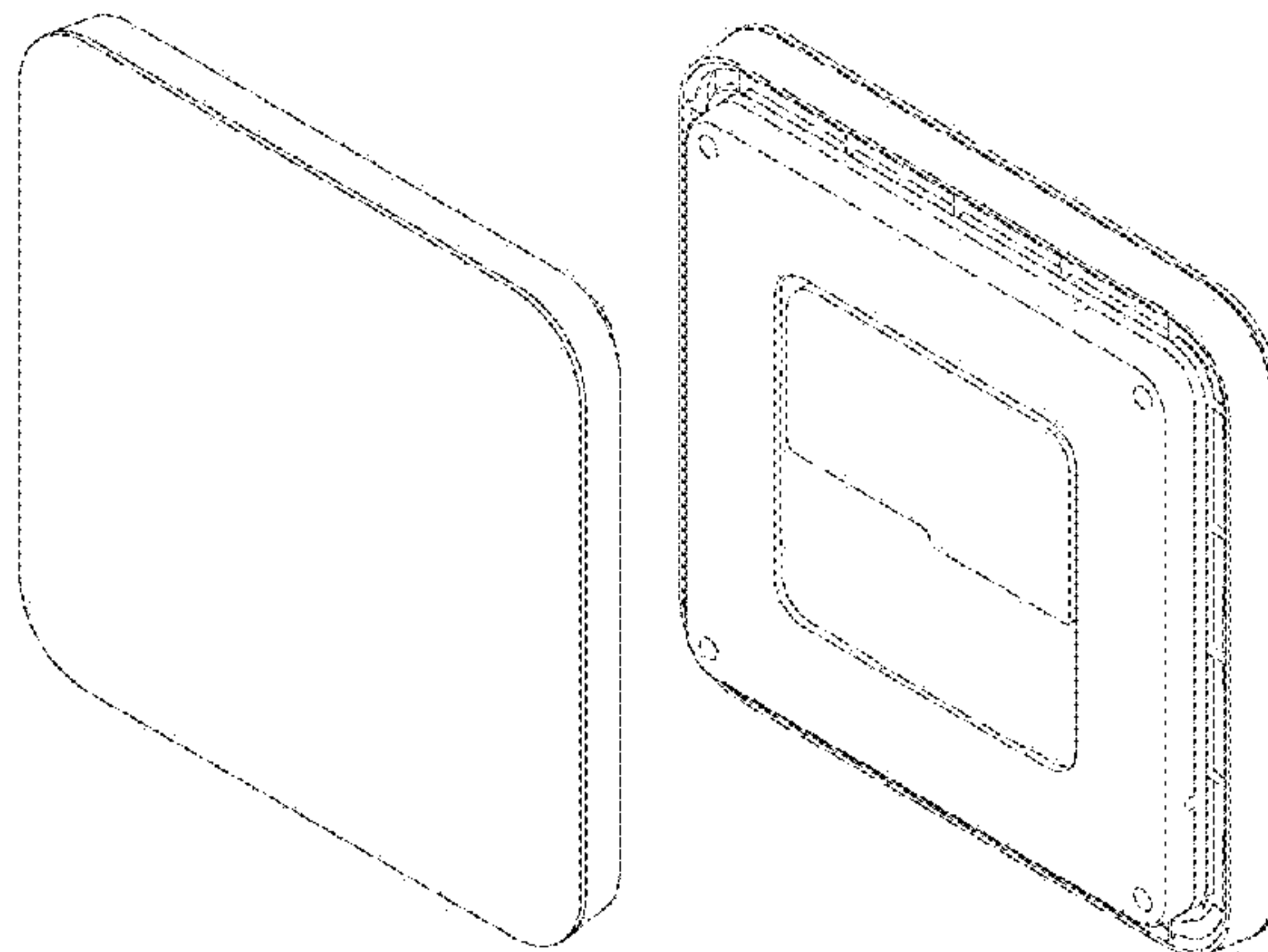
1.5 is the left side view thereof;

1.6 is the right side view thereof;

1.7 is the top view thereof; and

1.8 is the bottom view thereof.

(Continued)



The portions of the drawings shown in dotted lines depict portions of the electronic notice board that form no part of the claimed design.

1 Claim, 8 Drawing Sheets

(56)

References Cited

U.S. PATENT DOCUMENTS

D578,529	S	*	10/2008	Huang	D14/375
D582,800	S	*	12/2008	Comerford	D10/50
D582,802	S	*	12/2008	Branson	D10/50
D596,626	S	*	7/2009	Andre	D14/240
D601,143	S	*	9/2009	Oikawa	D14/336
D677,255	S	*	3/2013	McManigal	D14/341
D678,218	S	*	3/2013	Sheen	D13/168
D705,093	S	*	5/2014	Edgar	D10/50
D729,760	S	*	5/2015	Takahata	D14/159
D732,021	S	*	6/2015	Seoc	D14/341
D733,590	S	*	7/2015	Primiani	D10/50
D737,697	S	*	9/2015	Bhattacharya	D10/50
D738,756	S	*	9/2015	Jiang	D10/50
D744,435	S	*	12/2015	Sakai	D13/168
D755,735	S	*	5/2016	Kashimoto	D13/168
D763,205	S	*	8/2016	Kashimoto	D13/168
D764,418	S	*	8/2016	Kashimoto	D13/168

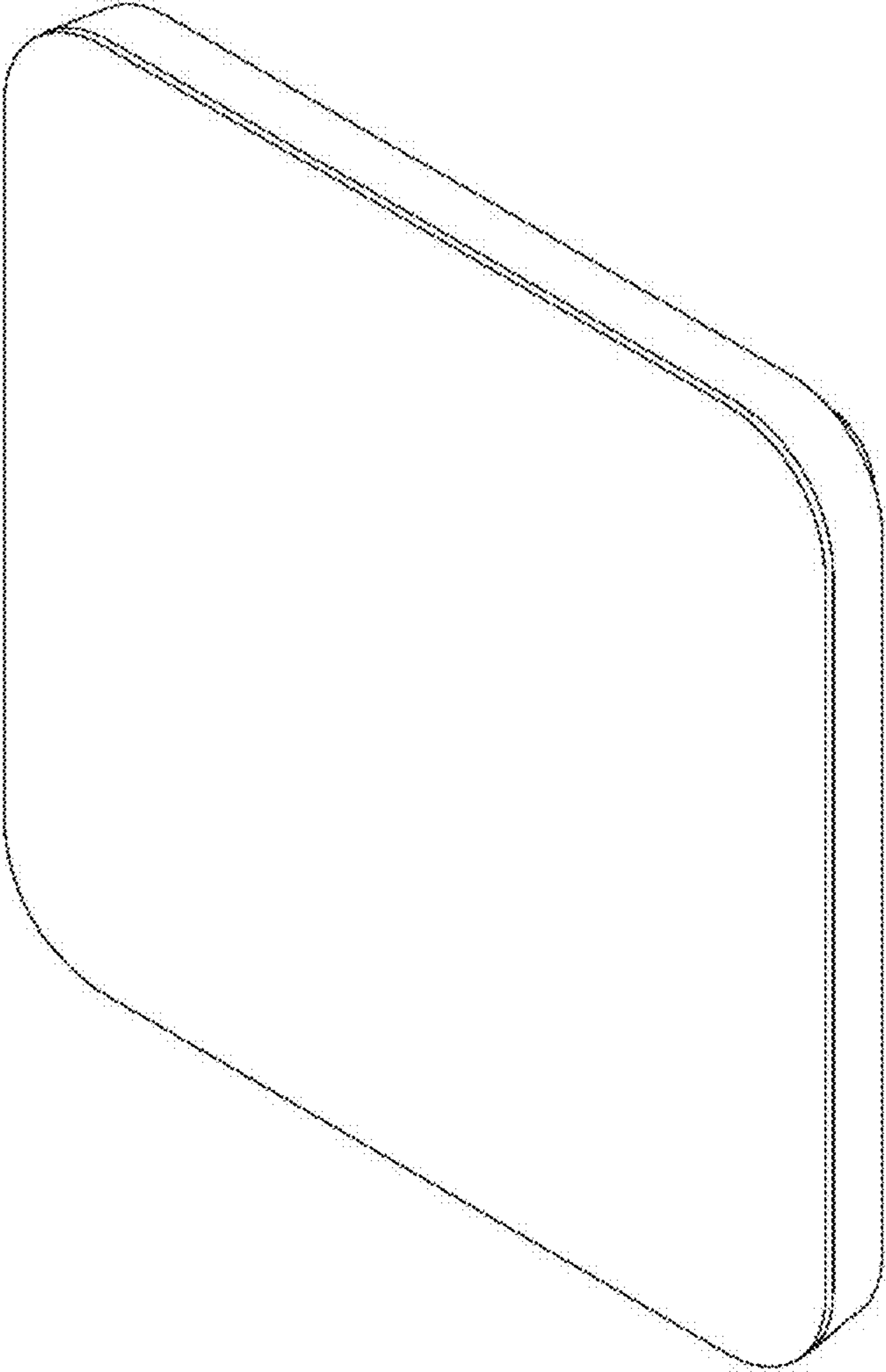
D764,419	S	*	8/2016	Kashimoto	D13/168
D766,204	S	*	9/2016	Takahata	D14/159
D766,899	S	*	9/2016	Kim	D14/374
D777,683	S	*	1/2017	Kashimoto	D13/168
D783,835	S	*	4/2017	Schon	D24/186
D784,168	S	*	4/2017	Jacoby	D10/50
D786,215	S	*	5/2017	Bousquet	D14/159
D786,803	S	*	5/2017	Kim	D13/168
D794,630	S	*	8/2017	Pendse	D14/341
D796,352	S	*	9/2017	Morneau	D10/49
D796,434	S	*	9/2017	Li	D13/108
D799,997	S	*	10/2017	Jacoby	D10/50
D801,288	S	*	10/2017	Kim	D13/168
D801,833	S	*	11/2017	Jiang	D10/50
D807,763	S	*	1/2018	Jacoby	D10/50
D809,942	S	*	2/2018	Cool	D10/50

OTHER PUBLICATIONS

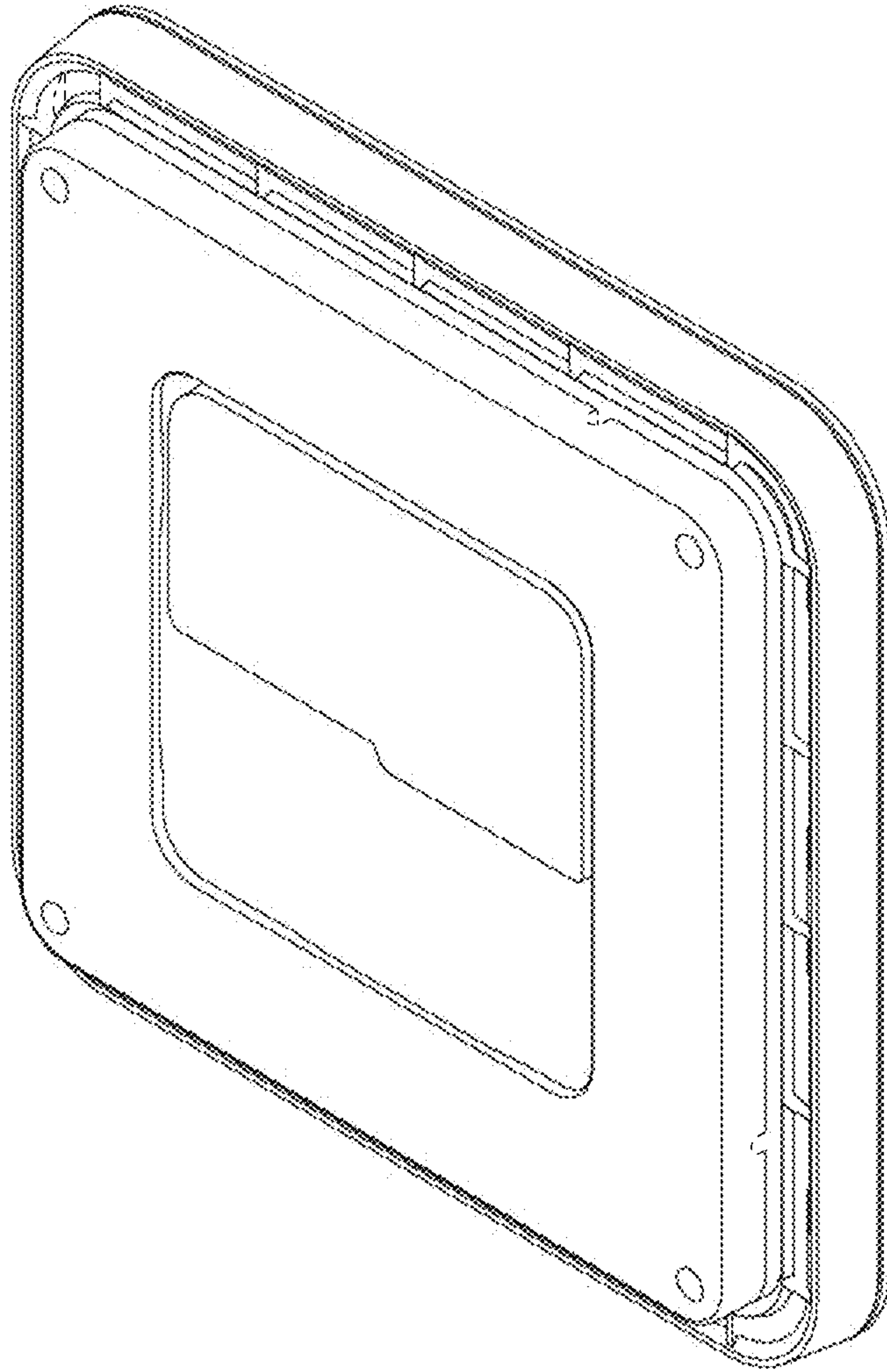
Evoko Room Manager, announced Nov. 22, 2010 [online], [retrieved Jan. 23, 2018]. Available from Internet, URL: <<http://www.hayamim.com.my/home/hayamim/downloads/Evoko%20Room%20Manager%20product%20sheet%20eng.pdf>>.*

InfoComm 2016: Evoko Launches Evoko Liso Room Manager, announced Jun. 10, 2016 [online], [retrieved Jan. 23, 2018]. Available from Internet, URL: <<https://www.youtube.com/watch?v=Sy-3KGvR0Ag>>.*

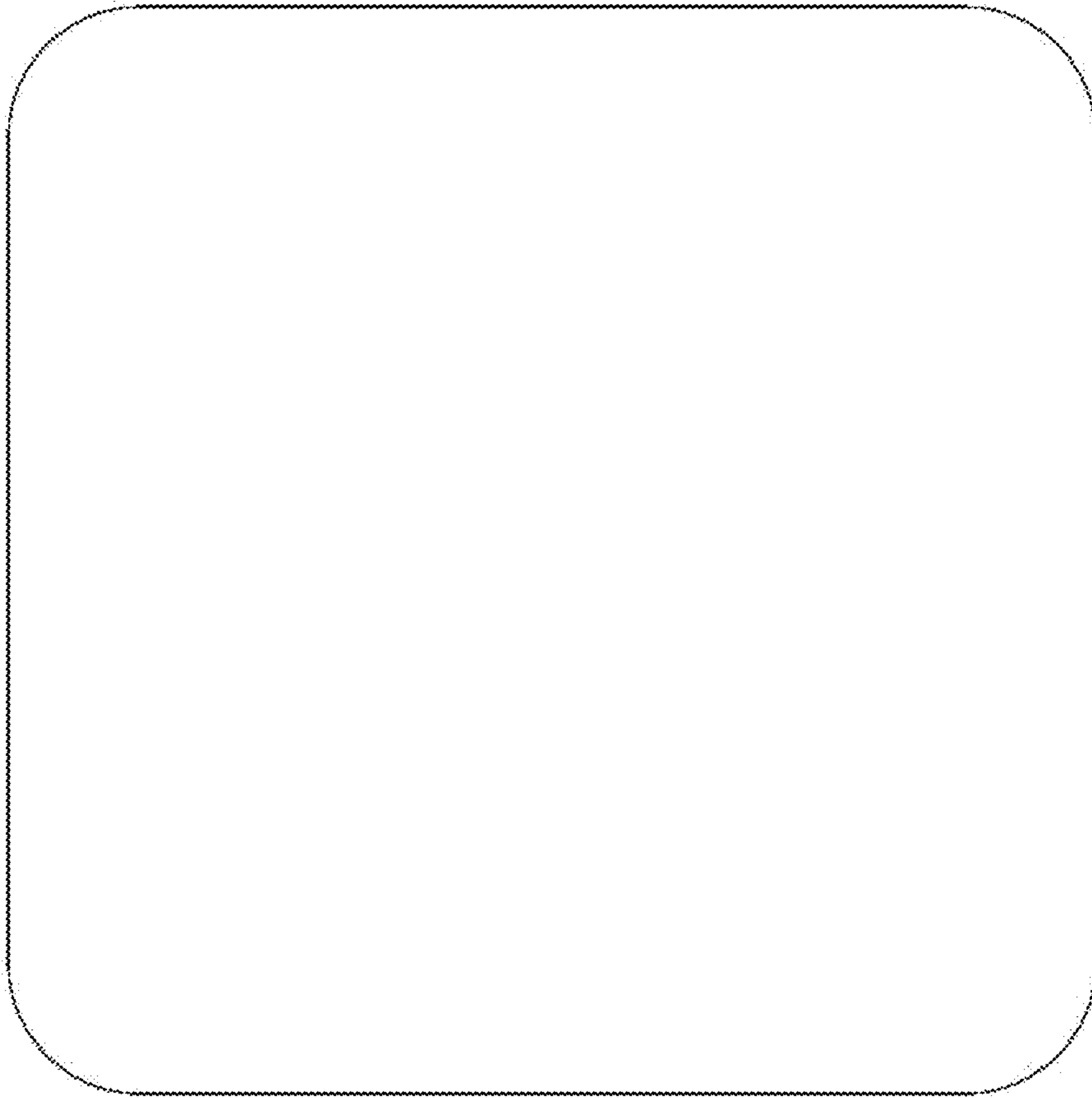
* cited by examiner



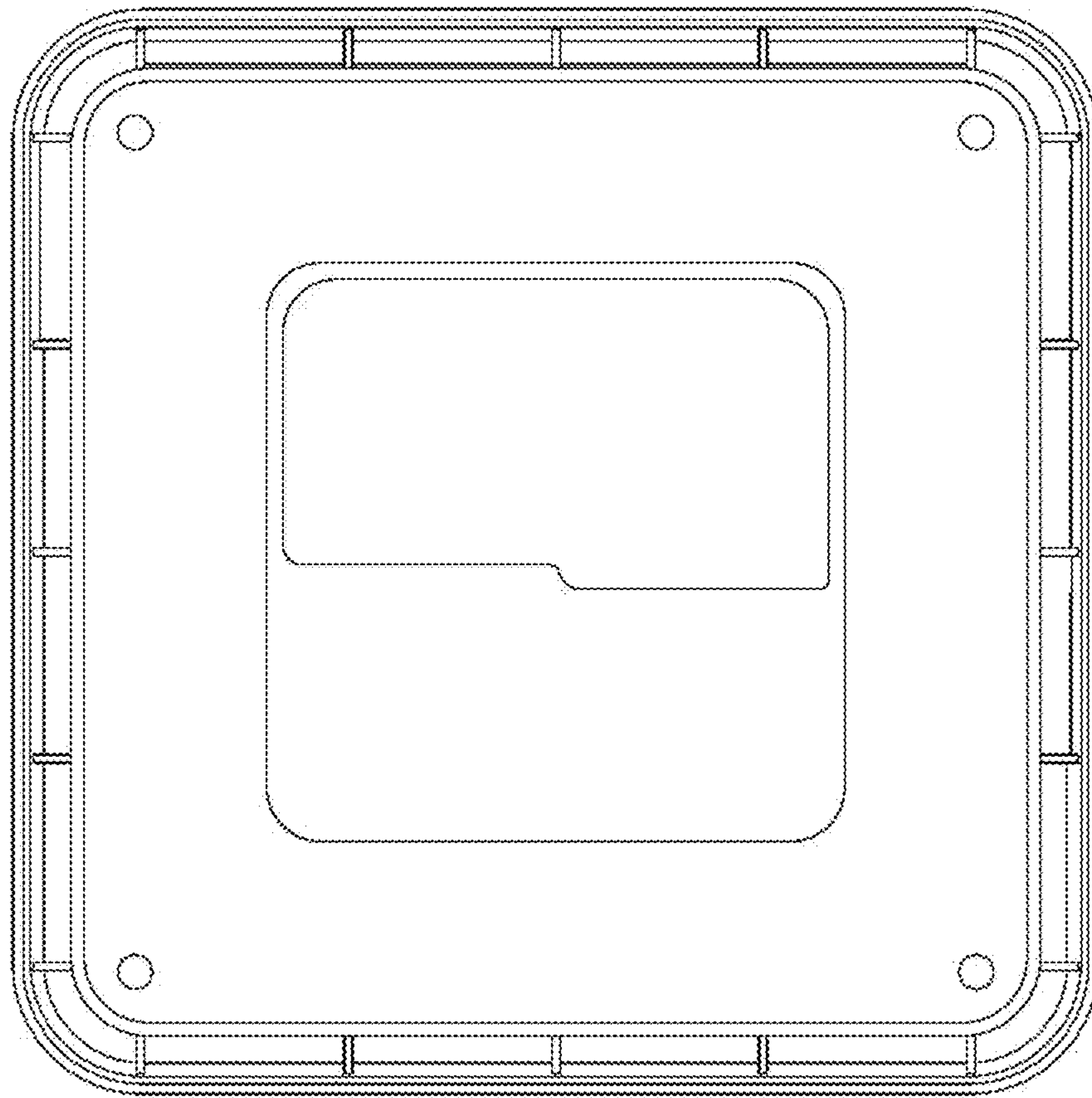
1.1



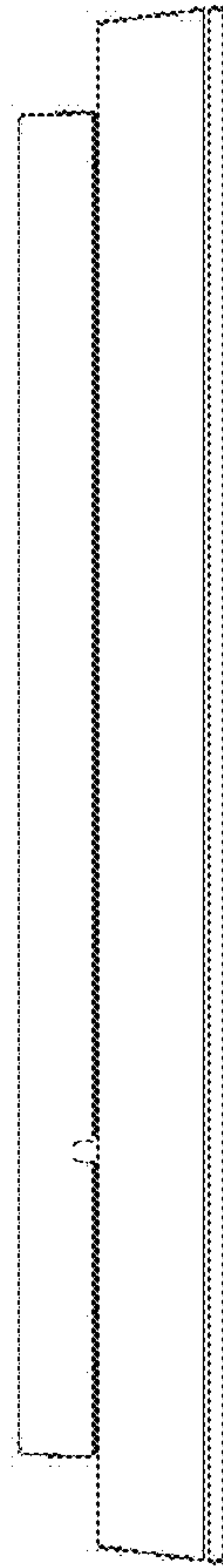
1.2



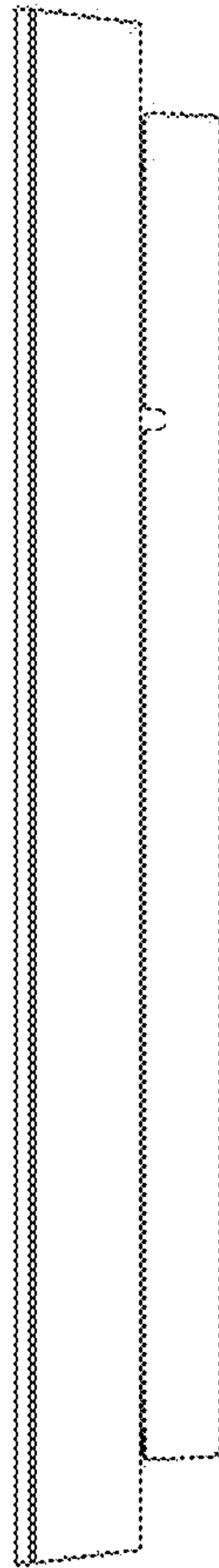
1.3



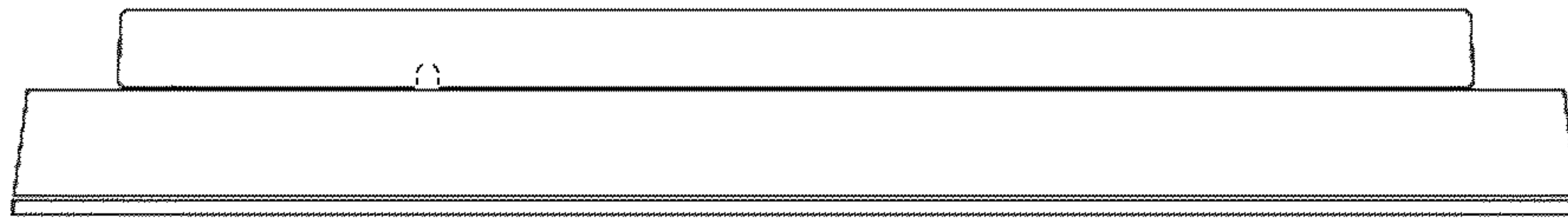
1.4



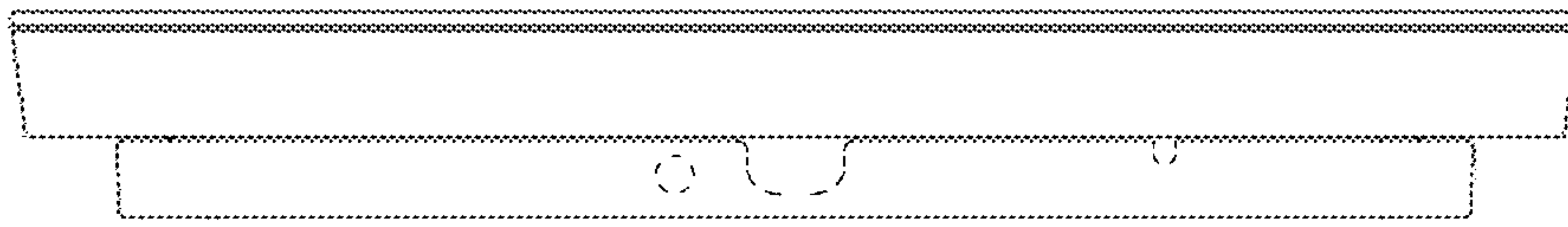
1.5



1.6



1.7



1.8