

US00D834009S

(12) **United States Design Patent** (10) **Patent No.:** **US D834,009 S**
Itou (45) **Date of Patent:** **** Nov. 20, 2018**

(54) **PORTABLE ELECTRIC DEVICE**

(71) Applicant: **NTT DOCOMO, INC.**, Chiyoda-ku (JP)

(72) Inventor: **Takurou Itou**, Chiyoda-ku (JP)

(73) Assignee: **NTT DOCOMO, INC.**, Chiyoda-ku (JP)

(**) Term: **15 Years**

(21) Appl. No.: **29/596,162**

(22) Filed: **Mar. 6, 2017**

(30) **Foreign Application Priority Data**

Oct. 11, 2016 (JP) 2016-022044

(51) **LOC (11) Cl.** **14-03**

(52) **U.S. Cl.**
USPC **D14/248**; D14/345

(58) **Field of Classification Search**
USPC D14/138 AB, 345, 203.4, 138 R, 496,
D14/341, 138 G, 248, 371; 455/575.3;
D21/517

CPC H04M 1/0216; H04M 1/0214; H04M 1/03;
H04M 1/0202; H04M 1/026; G06F
1/1616; G06F 1/1652

See application file for complete search history.

(56) **References Cited**

U.S. PATENT DOCUMENTS

D547,295 S * 7/2007 Park D14/138 AB
D594,028 S * 6/2009 Fuchsberg D14/496

(Continued)

FOREIGN PATENT DOCUMENTS

CN 304683556 * 6/2018
JP 1435131 S 3/2012
WO DM/094401 * 2/2017

OTHER PUBLICATIONS

Lunark is a Dual Folding Smartphone With a Special Hinge Included, posted by Kelvin, Published on Aug. 26, 2015 on concept-phones.com, [online], [site visited Jul. 25, 2018]. Available from Internet, <URL:https://www.concept-phones.com/cool-concepts/lunark-dual-folding-smartphone-special-hinge-included/>.*

(Continued)

Primary Examiner — Jeffrey D Asch

(74) *Attorney, Agent, or Firm* — Oblon, McClelland, Maier & Neustadt, L.L.P.

(57) **CLAIM**

The ornamental design for a portable electronic device, as shown and described.

DESCRIPTION

FIG. 1 is a front, top, and right side perspective view of a portable electronic device;

FIG. 2 is a front elevational view thereof;

FIG. 3 is a rear elevational view thereof;

FIG. 4 is a top plan view thereof;

FIG. 5 is a bottom plan view thereof;

FIG. 6 is a right side elevational view thereof;

FIG. 7 is a left side elevational view thereof;

FIG. 8 is a front elevational view thereof, depicted in a closed state;

FIG. 9 is a rear elevational view thereof, depicted in a closed state;

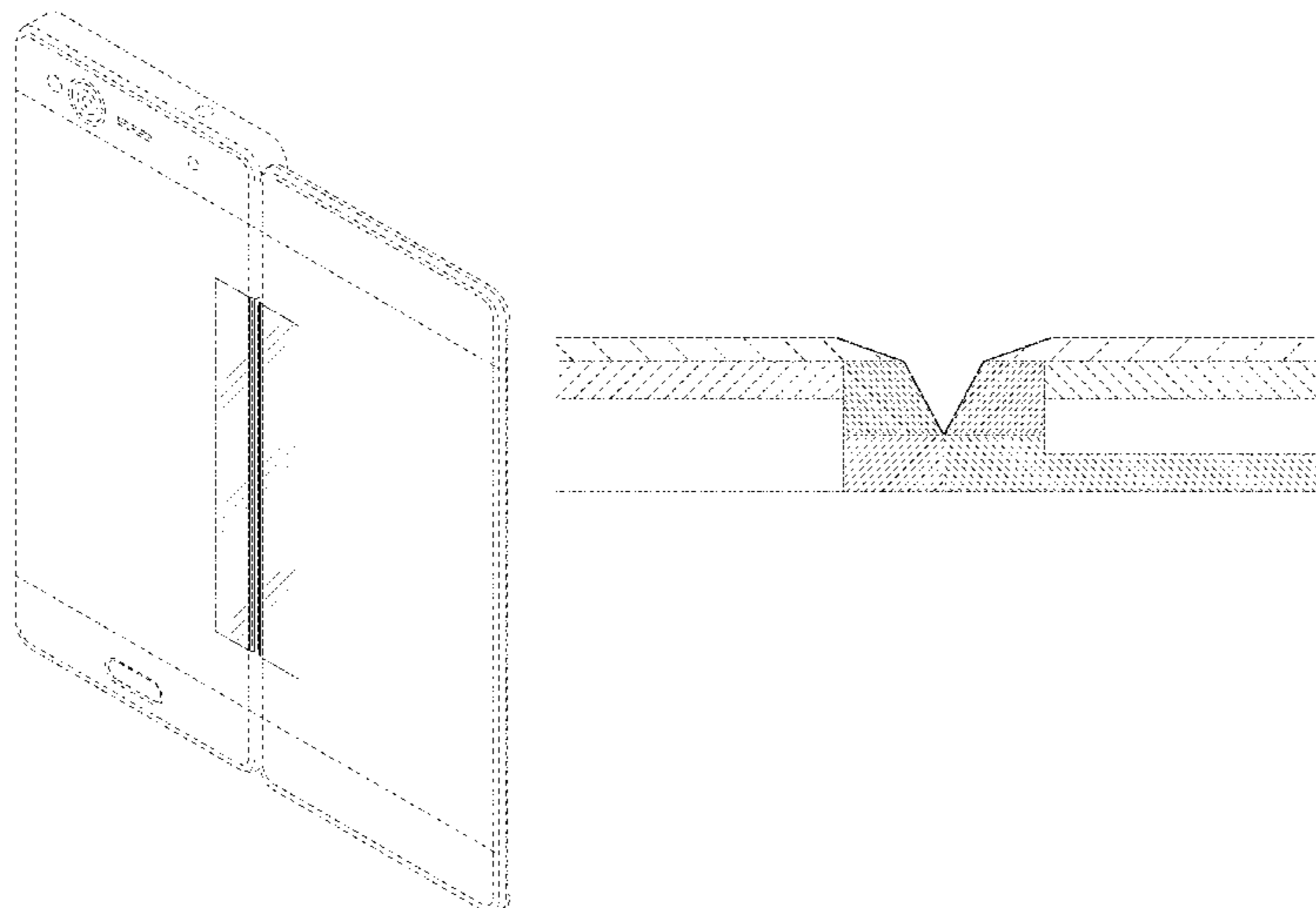
FIG. 10 is a right side elevational view thereof, depicted in a close state;

FIG. 11 is a sectional view thereof, taken along line 11-11 in FIG. 2 of the portion of the bottom plan view indicated by line 1101-1101 in FIG. 5; and,

FIG. 12 is an enlarged section view thereof, taken between lines 1201-1201 and 1202-1202 in FIG. 11.

The broken lines in the drawings show portions of the portable electronic device that form no part of the claimed design.

1 Claim, 12 Drawing Sheets



(56)

References Cited

U.S. PATENT DOCUMENTS

D624,515 S * 9/2010 Kim D14/138 AB
 D624,517 S * 9/2010 Lee D14/138 AB
 D631,026 S * 1/2011 Kim D14/138 AA
 D631,455 S * 1/2011 Kim D14/138 AB
 D652,414 S * 1/2012 Morisawa D14/315
 D680,531 S * 4/2013 Honda D14/345
 D680,532 S * 4/2013 Reeves D14/345
 D684,153 S * 6/2013 Nakano D14/345
 D693,323 S * 11/2013 Kawase D14/138 AB
 8,660,607 B2 * 2/2014 Infanti H04L 67/04
 345/1.1
 D714,244 S * 9/2014 Lee D14/138 AB
 8,860,632 B2 * 10/2014 Kilpatrick, II G06F 1/1616
 345/1.3
 D716,750 S * 11/2014 Matsumoto D14/138 AB
 D757,723 S * 5/2016 Kwak D14/345
 9,363,904 B1 * 6/2016 Szeto H01R 13/6205
 9,400,522 B2 * 7/2016 Inami G06F 3/1438
 9,417,784 B2 * 8/2016 Kwak G06F 1/1618
 9,436,218 B2 * 9/2016 Kobayashi G06F 1/162
 D771,034 S * 11/2016 Satzger D14/341
 D774,026 S * 12/2016 Poulin D14/248
 D776,073 S * 1/2017 Kim D14/138 G
 D779,450 S * 2/2017 Kim D14/138 G
 D787,488 S * 5/2017 Lee D14/248
 D788,767 S * 6/2017 Magi D14/315
 D791,112 S * 7/2017 Park D14/248
 D792,874 S * 7/2017 Lee D14/248
 D795,234 S * 8/2017 Kim D14/248
 D797,729 S * 9/2017 Park D14/248
 9,864,567 B2 * 1/2018 Seo G06F 3/0488
 9,947,883 B2 * 4/2018 Choi G06F 1/1652
 2010/0064244 A1 * 3/2010 Kilpatrick, II G06F 1/1616
 715/773
 2012/0106050 A1 * 5/2012 Okamoto H04M 1/0202
 361/679.01

2013/0321340 A1 * 12/2013 Seo G06F 1/1641
 345/174
 2015/0009237 A1 * 1/2015 Sirpal G06F 3/1438
 345/659
 2015/0222735 A1 * 8/2015 Tanaka G02F 1/133308
 455/566
 2015/0255023 A1 * 9/2015 Lee G09G 3/36
 345/204
 2015/0277496 A1 * 10/2015 Reeves G06F 1/1641
 345/1.2
 2015/0281414 A1 * 10/2015 Michino H04M 1/0216
 455/575.3
 2017/0205855 A1 * 7/2017 Szeto G06F 1/1656
 2017/0322597 A1 * 11/2017 Lee G06F 1/1643
 2017/0364220 A1 * 12/2017 Karl G06F 3/147

OTHER PUBLICATIONS

Microsoft Surface Note Gets Remade by Designer Ryan Smalley, posted by Kelvin, Published on Oct. 26, 2017 on concept-phones.com, [online], [site visited Jul. 25, 2018]. Available from Internet, <URL: <https://www.concept-phones.com/microsoft/microsoft-surface-note-remade-designer-ryan-smalley/>>.*
 Foldable Smartphone Design by Chesky Won is Exactly What Samsung Needs, posted by Kelvin, Published on Jan. 12, 2017 on concept-phones.com, [online], [site visited Jul. 25, 2018]. Available from Internet, <URL: <https://www.concept-phones.com/cool-concepts/foldable-smartphone-design-chesky-won-samsung/>>.*
 ZTE Axon M pictures, posted at GSMarena.com, Released Nov. 2017, [online], [site visited Jul. 25, 2018]. Available from Internet, <URL: https://www.gsmarena.com/zte_axon_m-pictures-8902.php>.*
 Japanese Office Action dated May 8, 2017 in Patent Application No. D2016-022041 (with English translation).

* cited by examiner

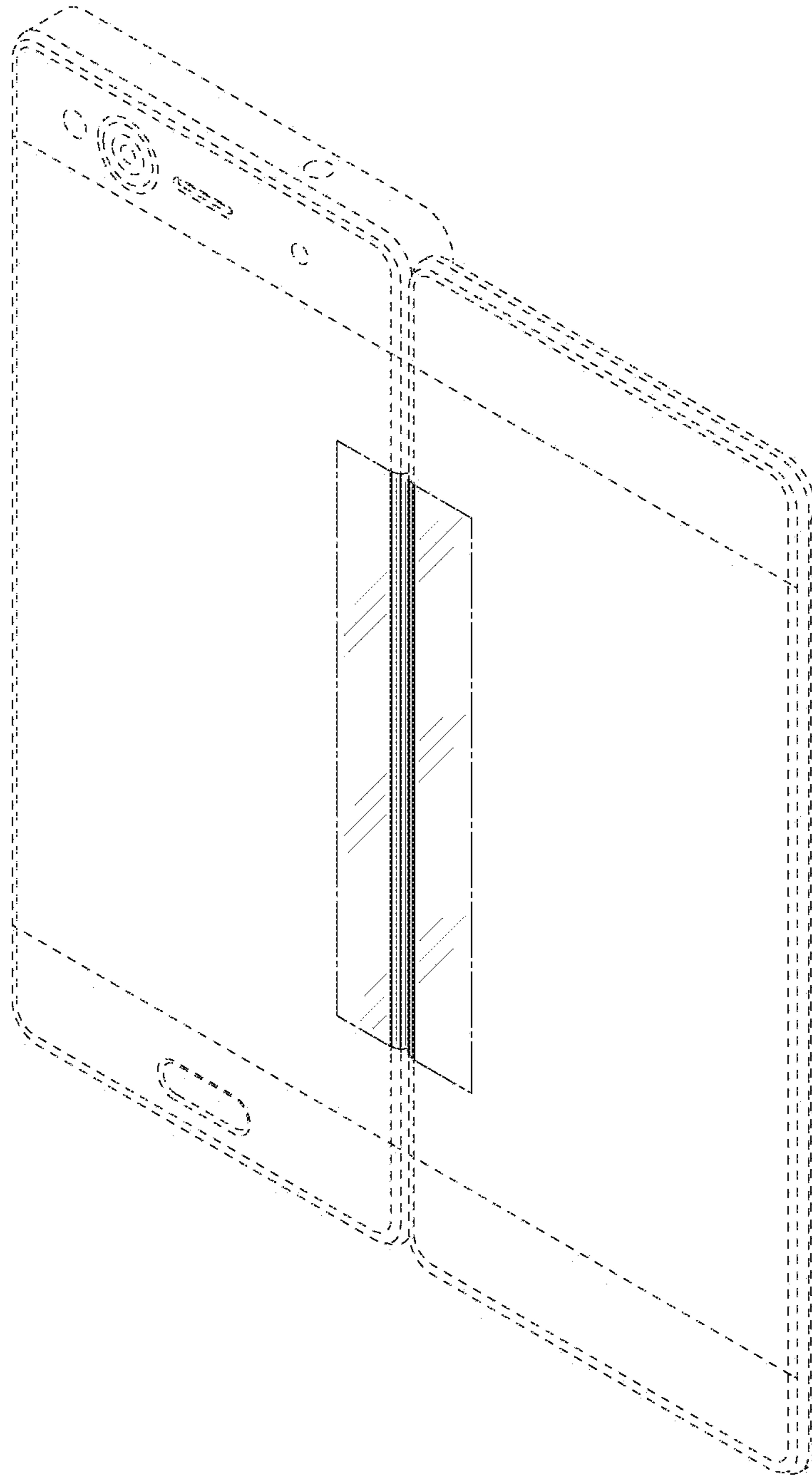


FIG. 1

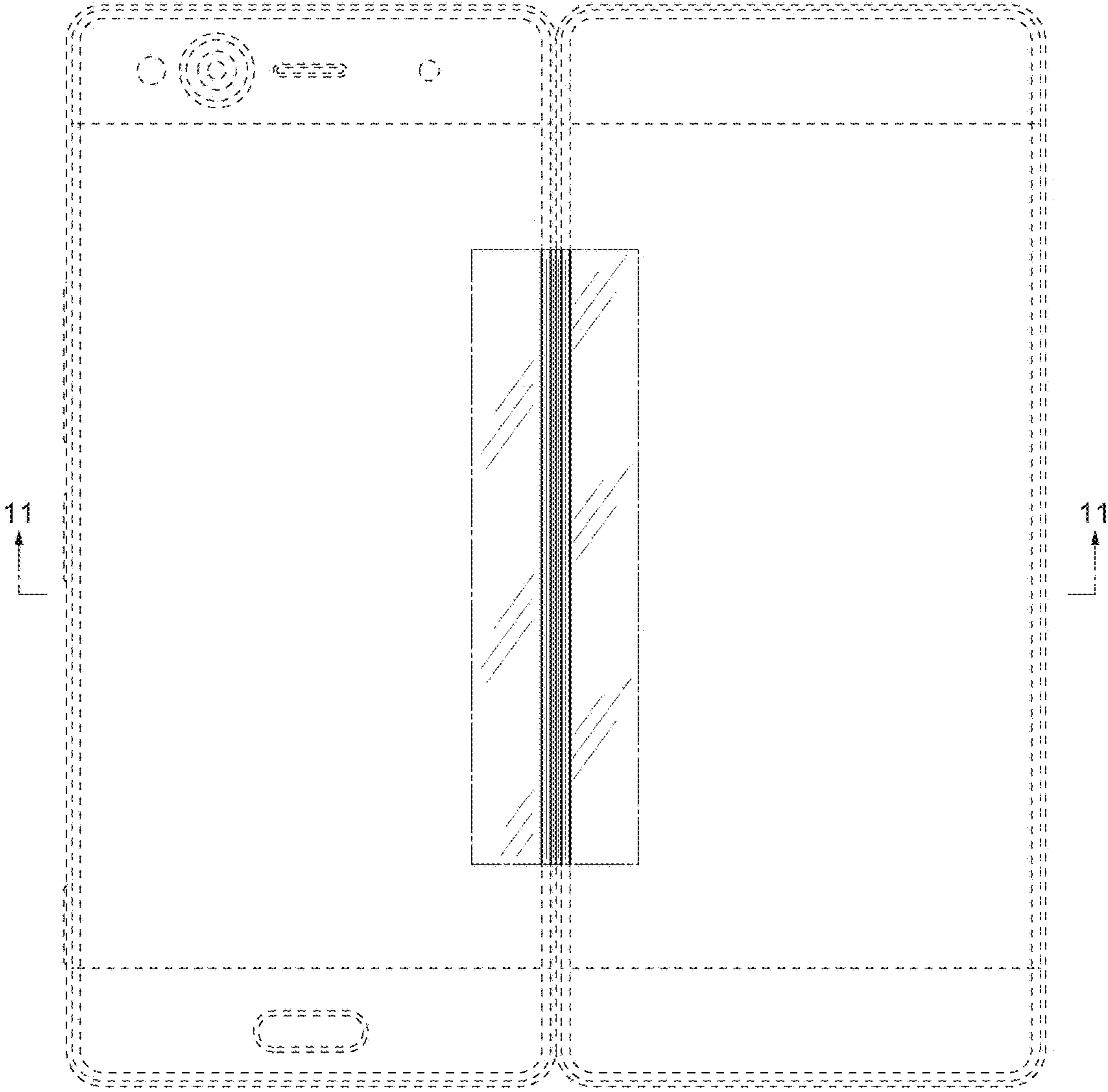


FIG. 2

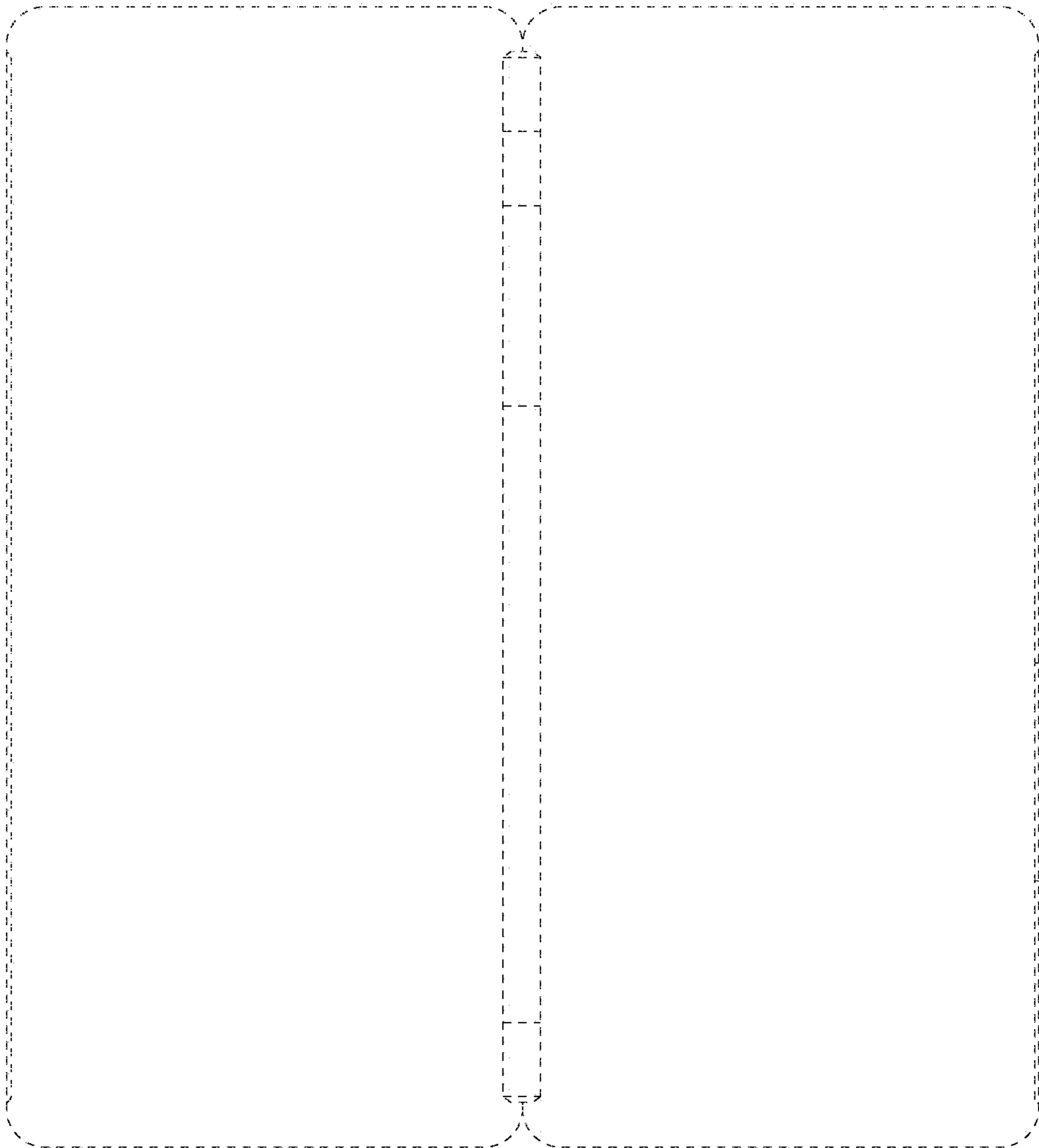


FIG. 3

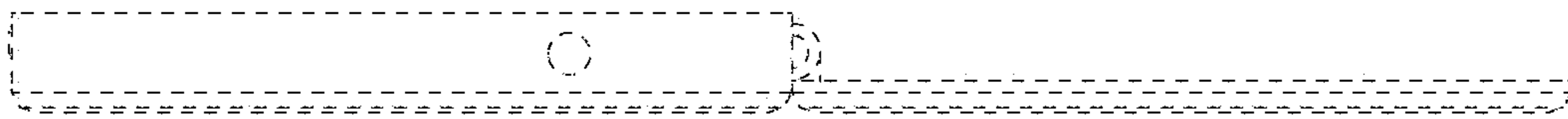


FIG. 4

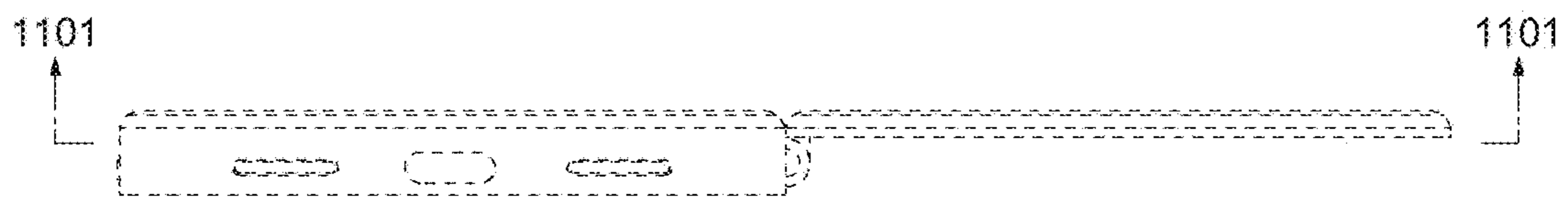


FIG. 5

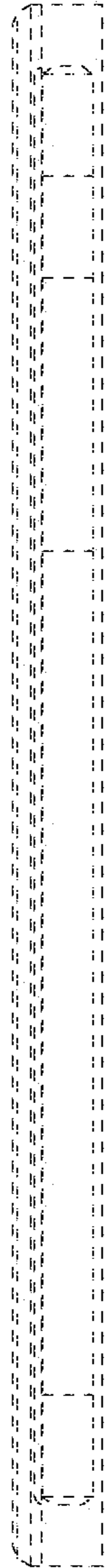


FIG. 6

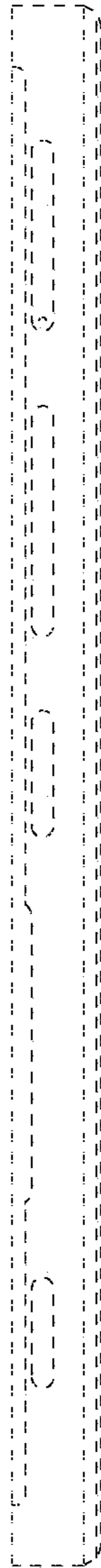


FIG. 7

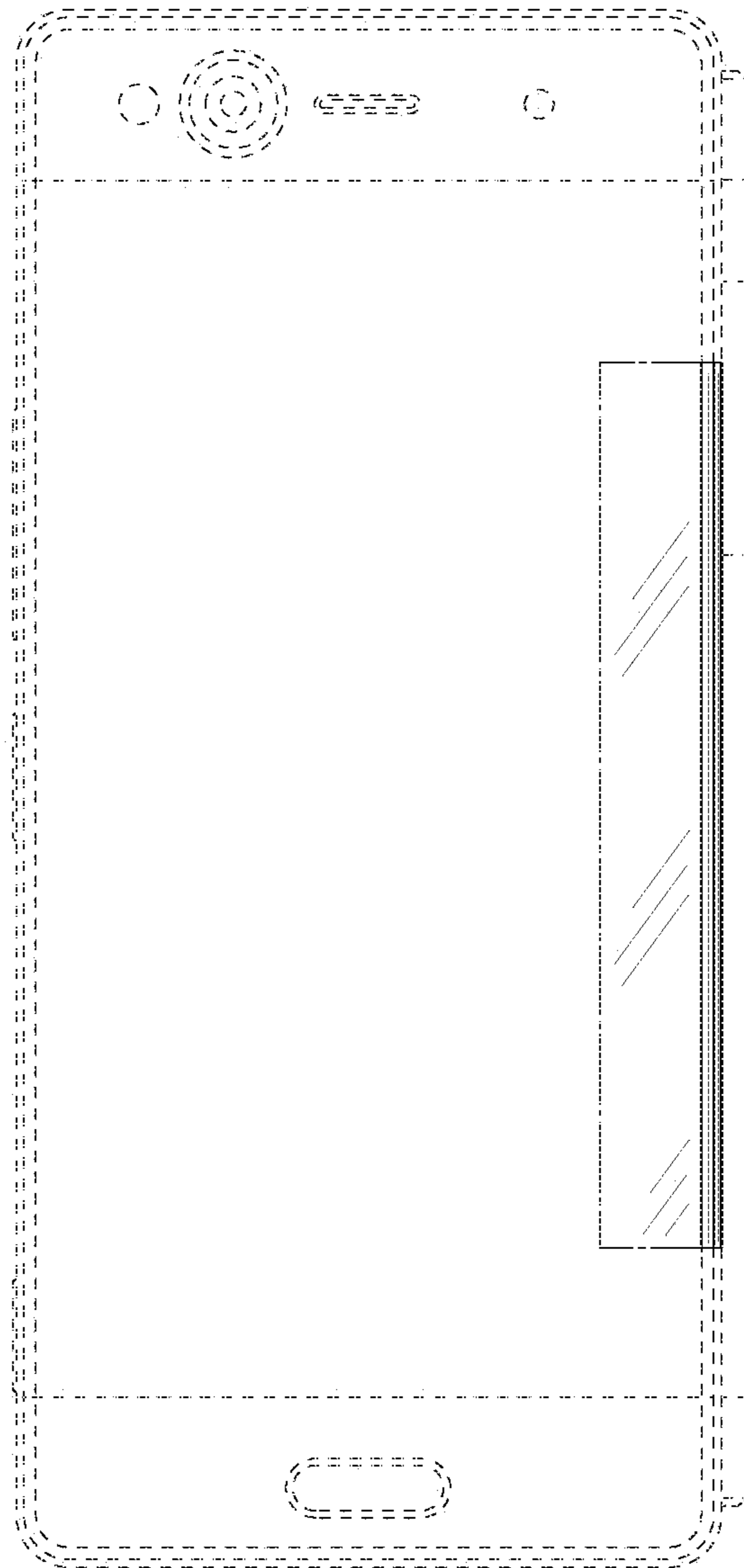


FIG. 8

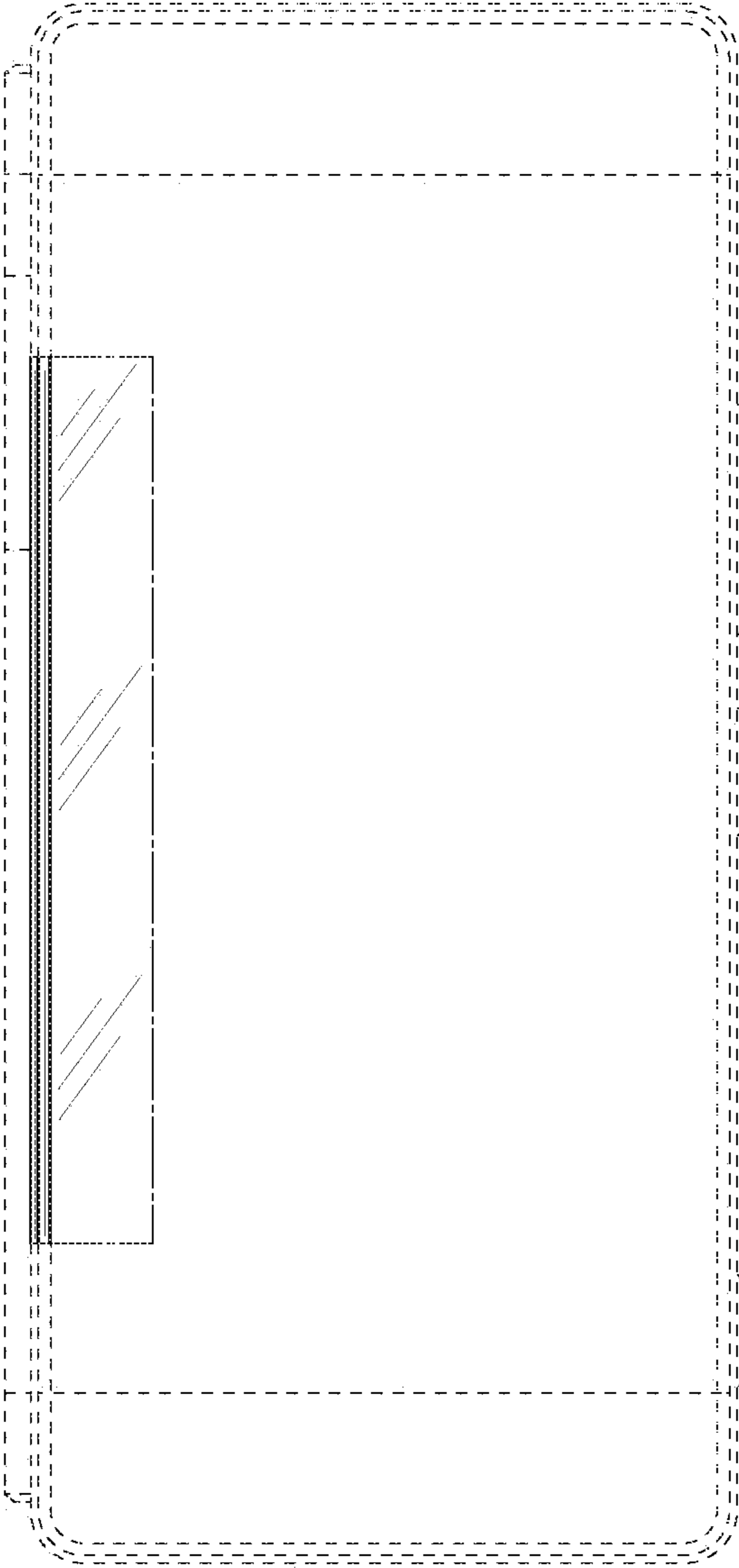


FIG. 9

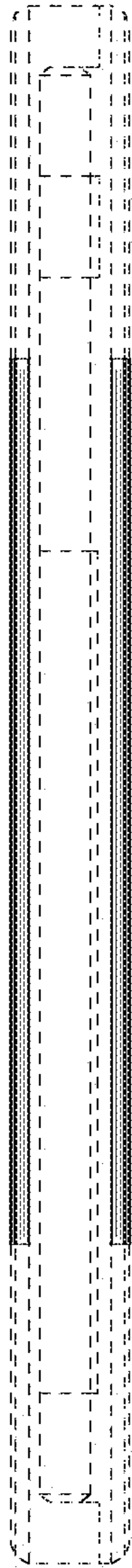


FIG. 10

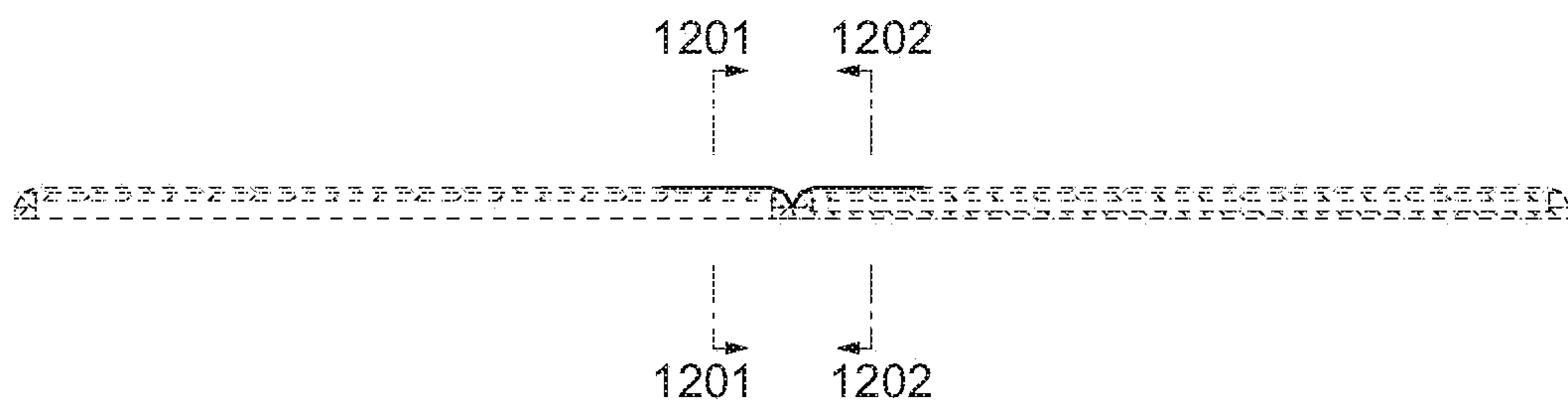


FIG. 11

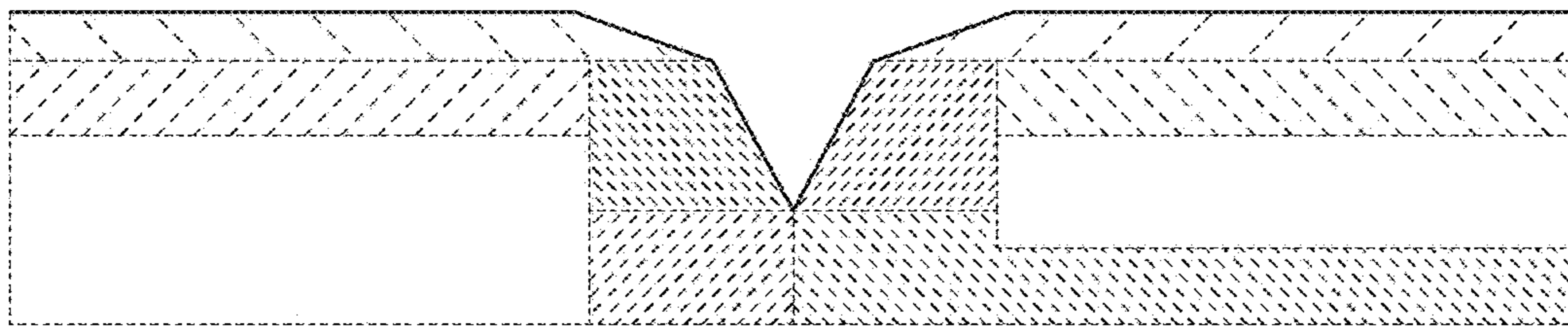


FIG. 12